



US00D618989S

(12) **United States Design Patent**
Shpitalni

(10) **Patent No.:** **US D618,989 S**

(45) **Date of Patent:** **** Jul. 6, 2010**

(54) **SHELF SUPPORT**

(75) Inventor: **Amir Shpitalni**, Tel Aviv (IL)

(73) Assignee: **Spiral Supports Ltd.**, Haifa (IL)

(**) Term: **14 Years**

(21) Appl. No.: **29/338,794**

(22) Filed: **Jun. 18, 2009**

(30) **Foreign Application Priority Data**

Dec. 22, 2008 (IL) 47015

(51) **LOC (9) Cl.** **08-05**

(52) **U.S. Cl.** **D8/381**

(58) **Field of Classification Search** D8/381,
D8/380, 373, 363, 356, 355, 354; D6/572,
D6/324; D26/140; D25/68, 132, 119, 102;
D22/147; D14/452; 52/685, 684, 288.1;
269/296; 248/539, 538, 536, 250, 242, 235,
248/221.12

See application file for complete search history.

(56) **References Cited**

U.S. PATENT DOCUMENTS

D335,231 S * 5/1993 Bengtson D6/524

D434,968 S * 12/2000 Fortier D8/354
D482,954 S * 12/2003 Hoernig D8/381
D506,384 S * 6/2005 Lawrence et al. D8/381
D515,406 S * 2/2006 Groff et al. D8/380
D550,547 S * 9/2007 Sato D8/381

* cited by examiner

Primary Examiner—Susan Bennett Hattan

(74) *Attorney, Agent, or Firm*—Oliff & Berridge, PLC

(57) **CLAIM**

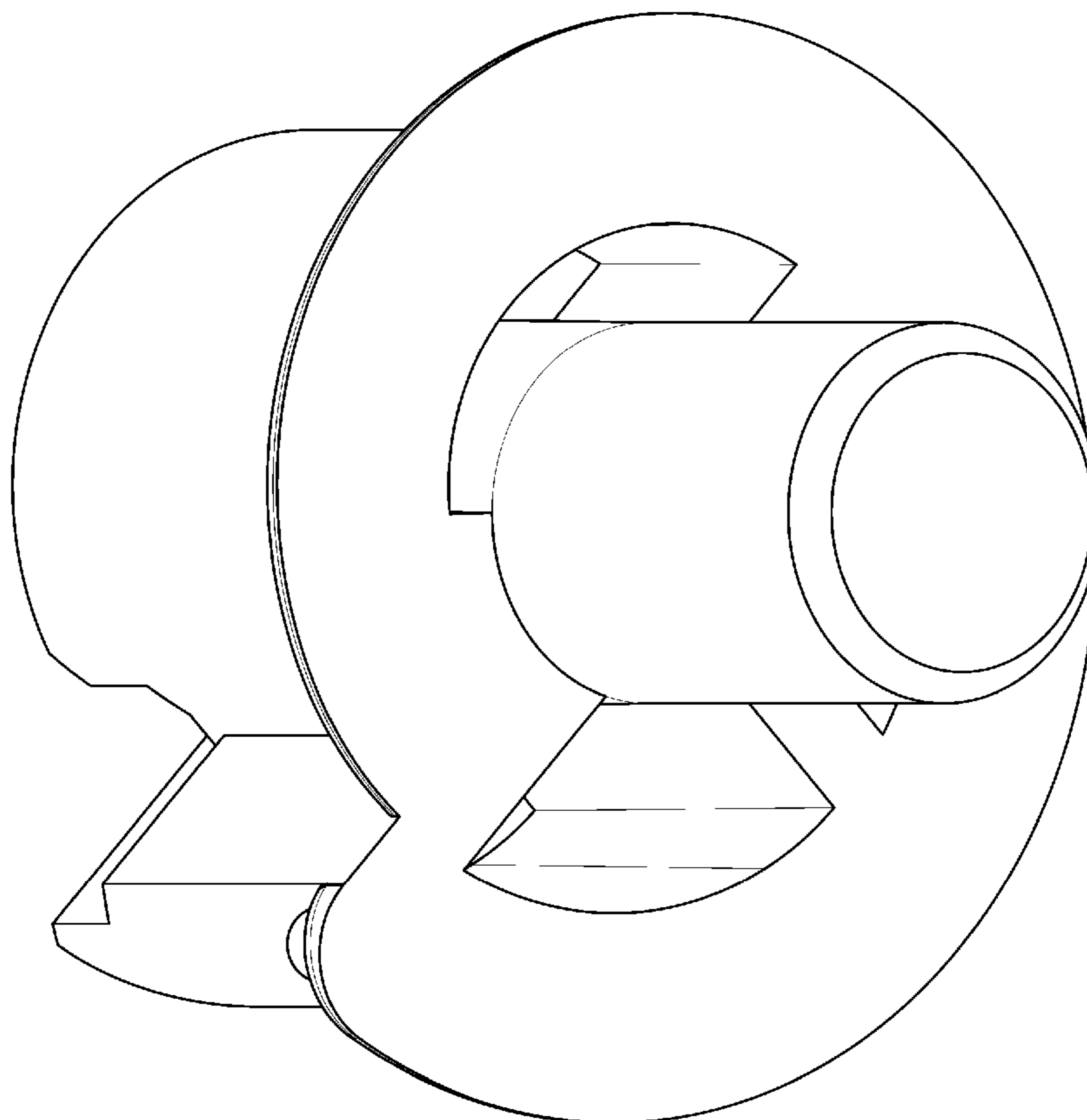
The ornamental design for a shelf support, as shown and described.

DESCRIPTION

FIG. 1 is a perspective view of a shelf support;
FIG. 2 is another perspective view of the object seen in FIG. 1;
FIG. 3 is a front view of the object seen in FIG. 1;
FIG. 4 is a side view of the object seen in FIG. 1;
FIG. 5 is a top view of the object seen in FIG. 1; and,
FIG. 6 is a bottom view of the object seen in FIG. 1.

The broken lines depict environmental subject matter only and form no part of the claimed design.

1 Claim, 6 Drawing Sheets



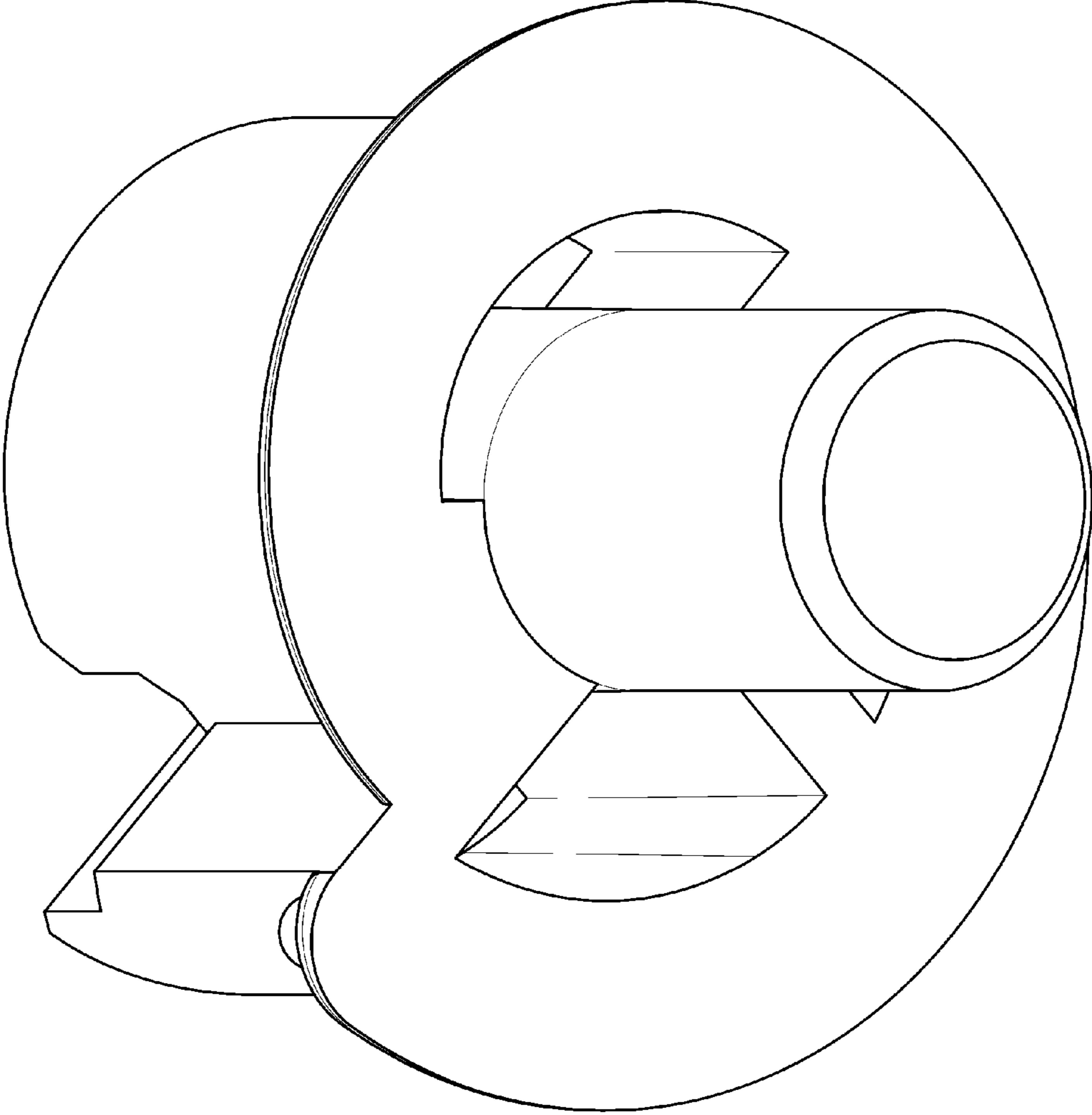


Fig. 1

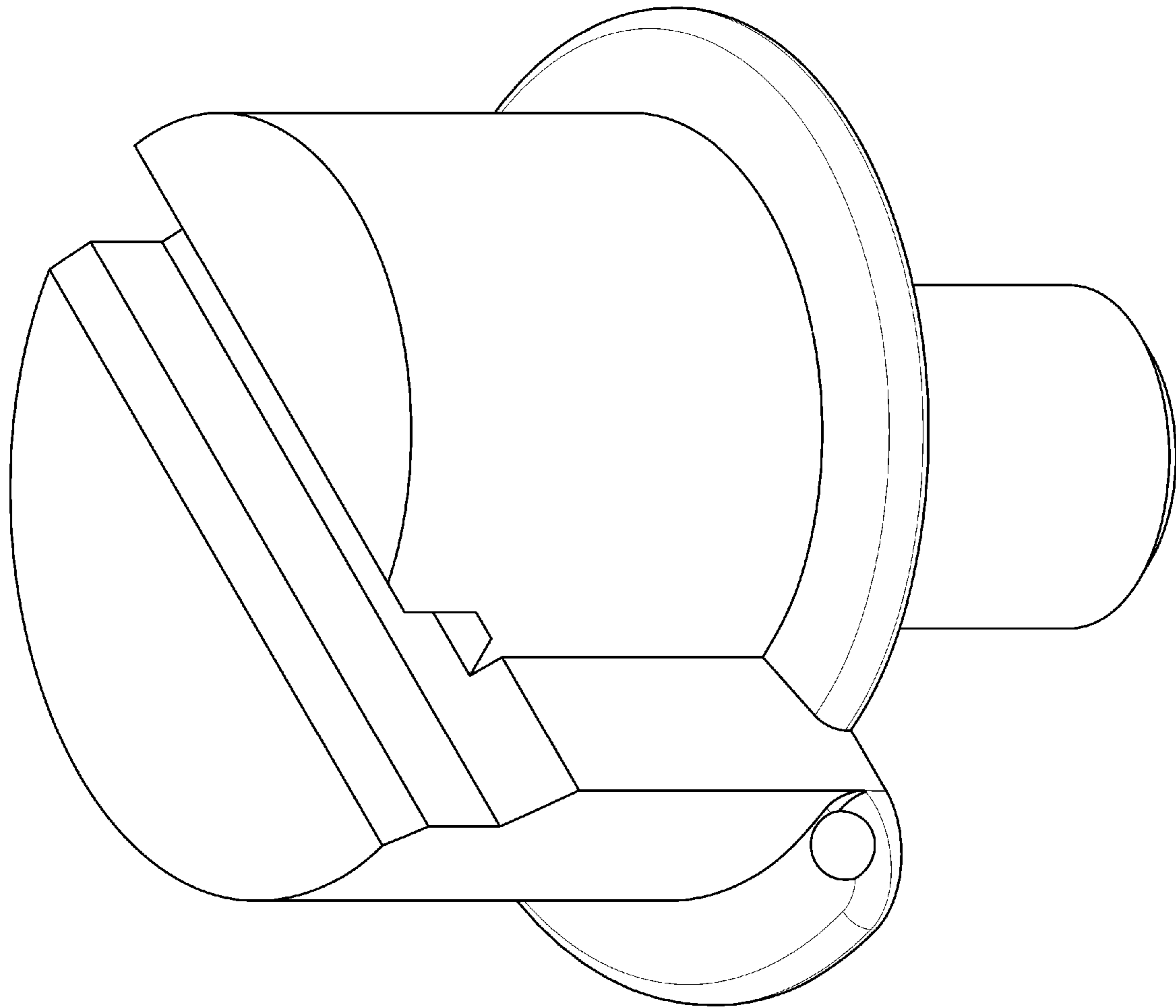


Fig. 2

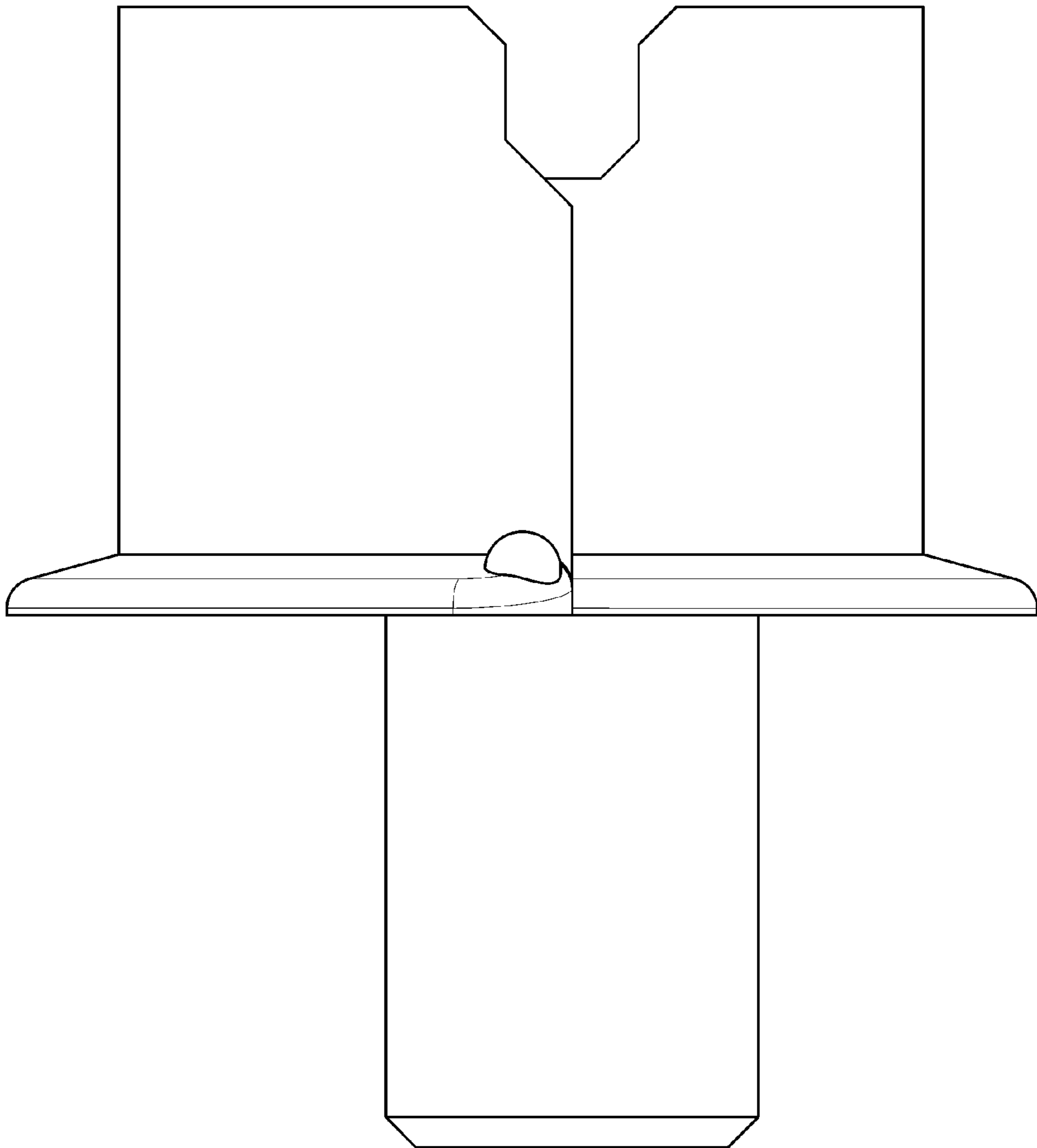


Fig. 3

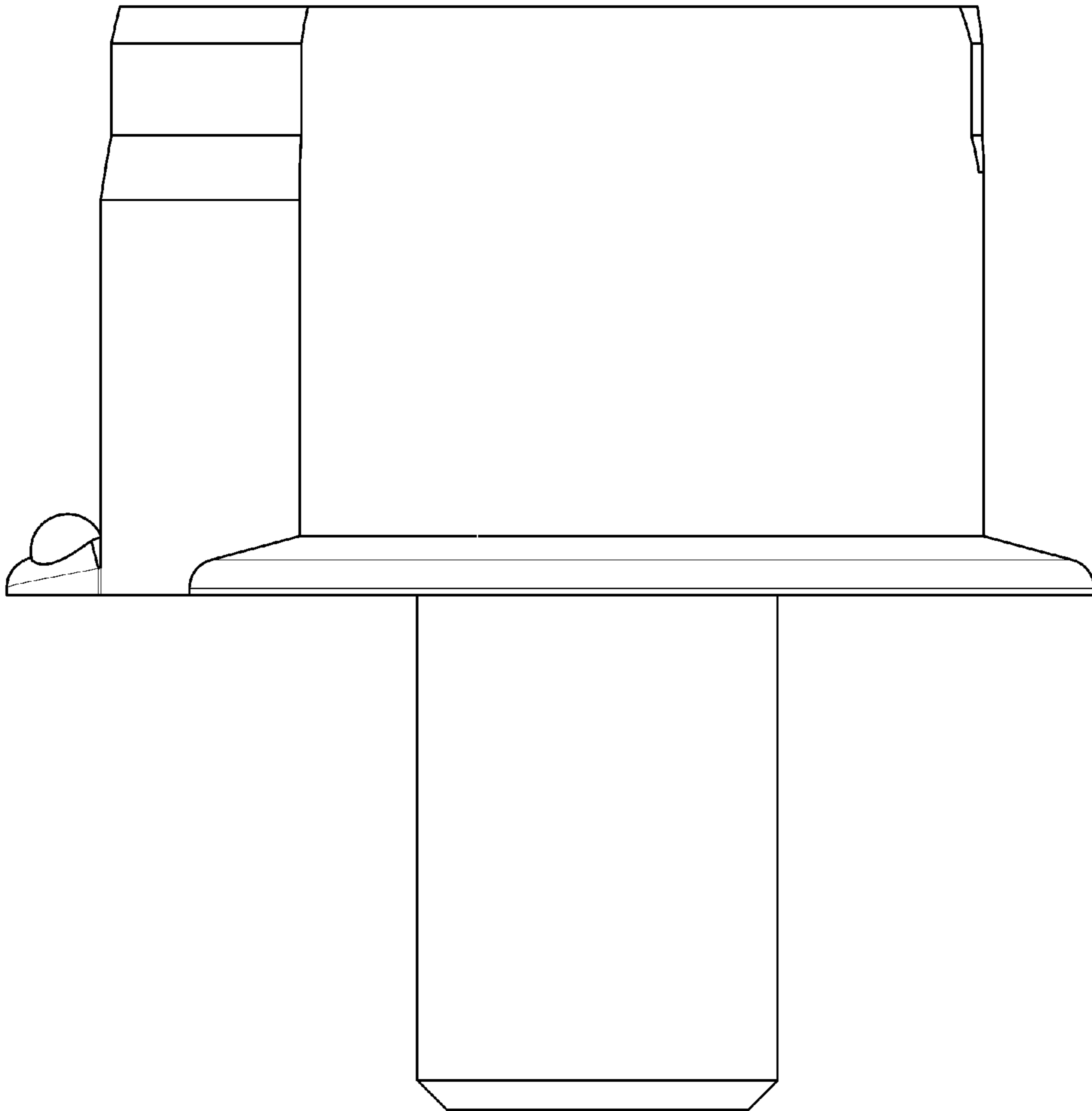


Fig. 4

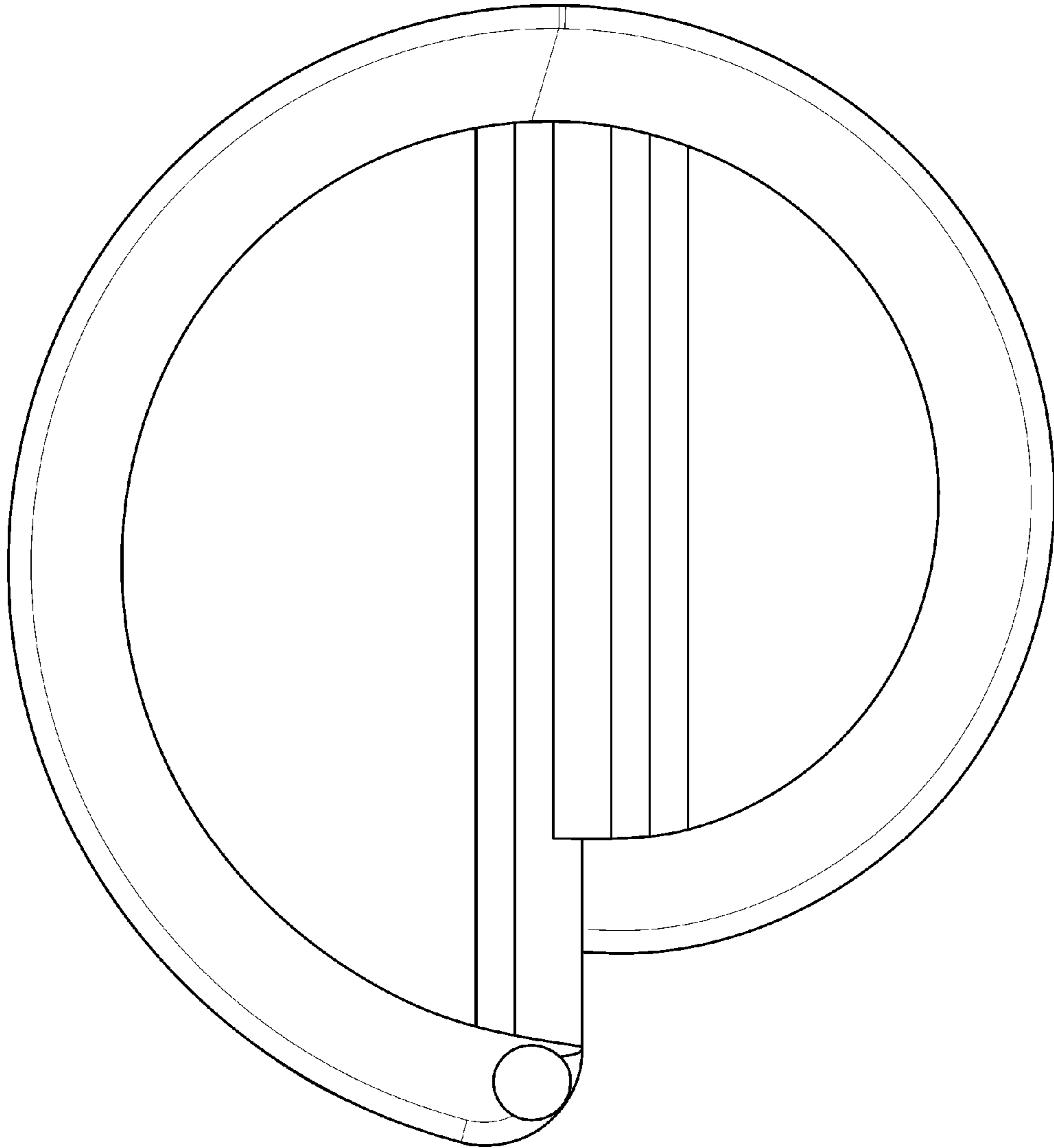


Fig. 5

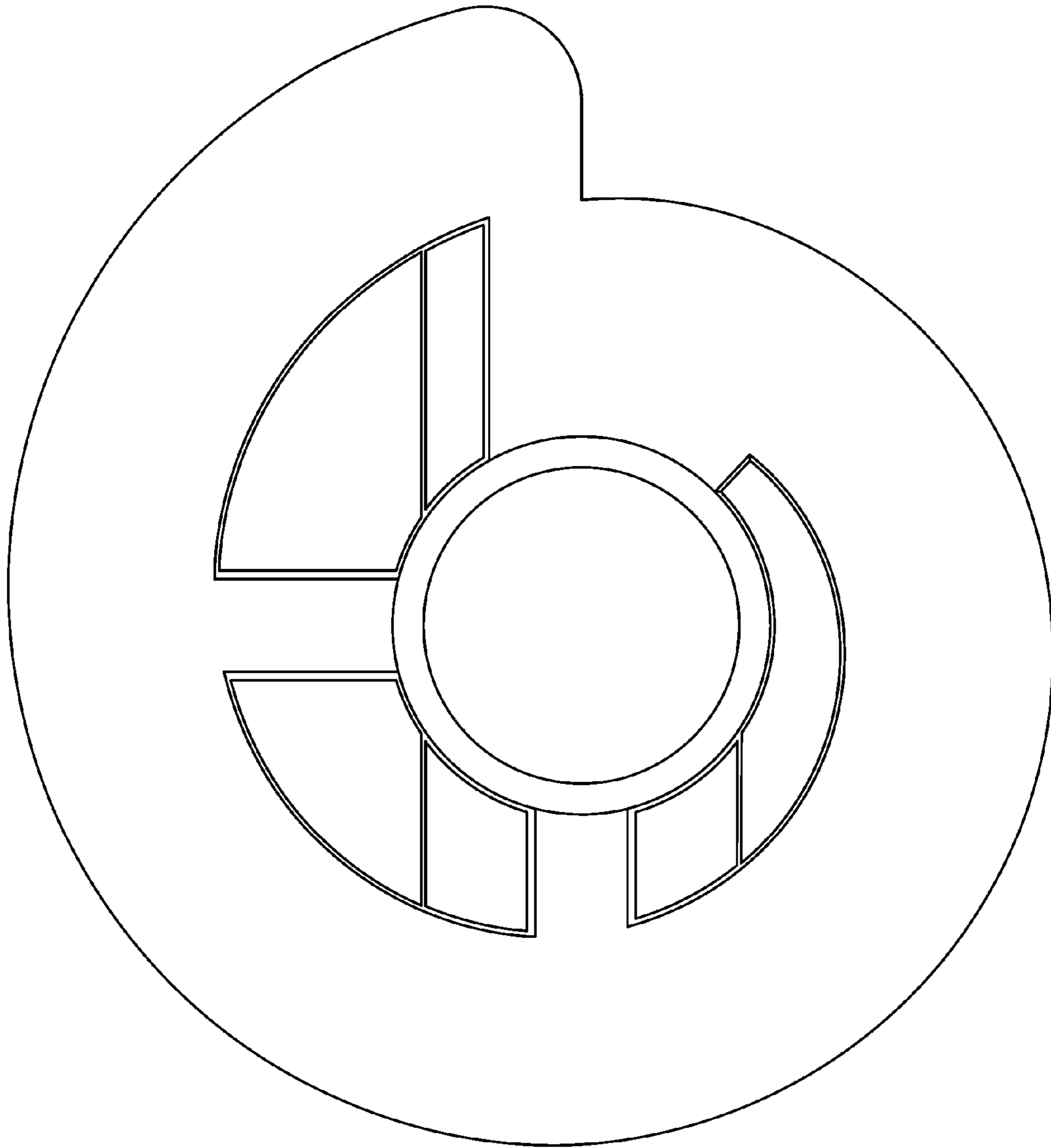


Fig. 6