



US00D618988S

(12) **United States Design Patent**
Peterson, Jr.

(10) **Patent No.:** **US D618,988 S**
(45) **Date of Patent:** **** Jul. 6, 2010**

(54) **REBAR CHAIR WITH DEPTH GAUGE**

(76) Inventor: **David J. Peterson, Jr.**, 2091 Las Palmas Dr., Carlsbad, CA (US) 92011

(**) Term: **14 Years**

(21) Appl. No.: **29/332,600**

(22) Filed: **Feb. 20, 2009**

Related U.S. Application Data

(63) Continuation-in-part of application No. 11/608,871, filed on Dec. 11, 2006, now abandoned.

(51) **LOC (9) Cl.** **08-05**

(52) **U.S. Cl.** **D8/380**

(58) **Field of Classification Search** D8/381, D8/380, 373, 363, 356, 355, 354; D6/572, D6/324; D26/140; D25/68, 132, 119, 102; D22/147; D14/452; 52/685, 684, 288.1; 269/296; 248/539, 538, 536, 250, 242, 235, 248/221.12

See application file for complete search history.

(56) **References Cited**

U.S. PATENT DOCUMENTS

D240,708 S * 7/1976 Ilukowicz D25/199
D295,723 S * 5/1988 Shioda D8/396
D420,890 S * 2/2000 Kuhnke D8/354

6,276,108 B1 * 8/2001 Padrun 52/684
D480,291 S * 10/2003 Sorkin D8/354
D491,443 S * 6/2004 Lowery D8/354
D578,870 S * 10/2008 Sorkin D8/354
7,451,580 B2 * 11/2008 Kelly et al. 52/687
D597,402 S * 8/2009 Garza D8/380

* cited by examiner

Primary Examiner—Susan Bennett Hattan

(74) *Attorney, Agent, or Firm*—Kelly Lowry & Kelley, LLP; Stuart O. Lowry

(57) **CLAIM**

The ornamental design for a rebar chair with depth gauge, as shown and described.

DESCRIPTION

FIG. 1 is a perspective view showing the front, top and right sides of a rebar chair with depth gauge in accordance with the new design;

FIG. 2 is a top plan view thereof;

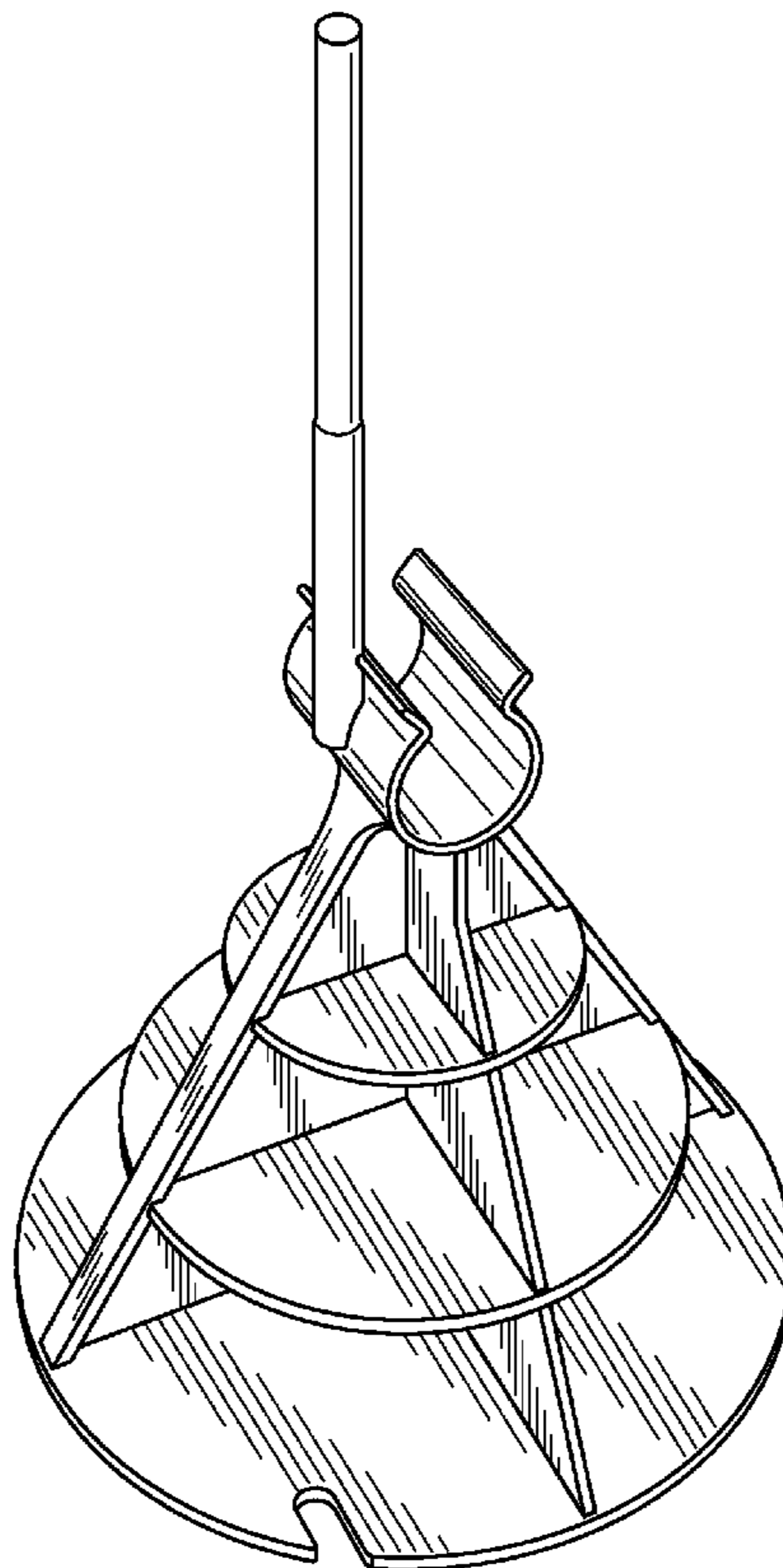
FIG. 3 is a left side elevation view thereof;

FIG. 4 is a front side elevation view thereof, the rear elevation being a mirror image of the front side as shown;

FIG. 5 is a left side elevation view thereof; and,

FIG. 6 is a bottom plan view thereof.

1 Claim, 3 Drawing Sheets



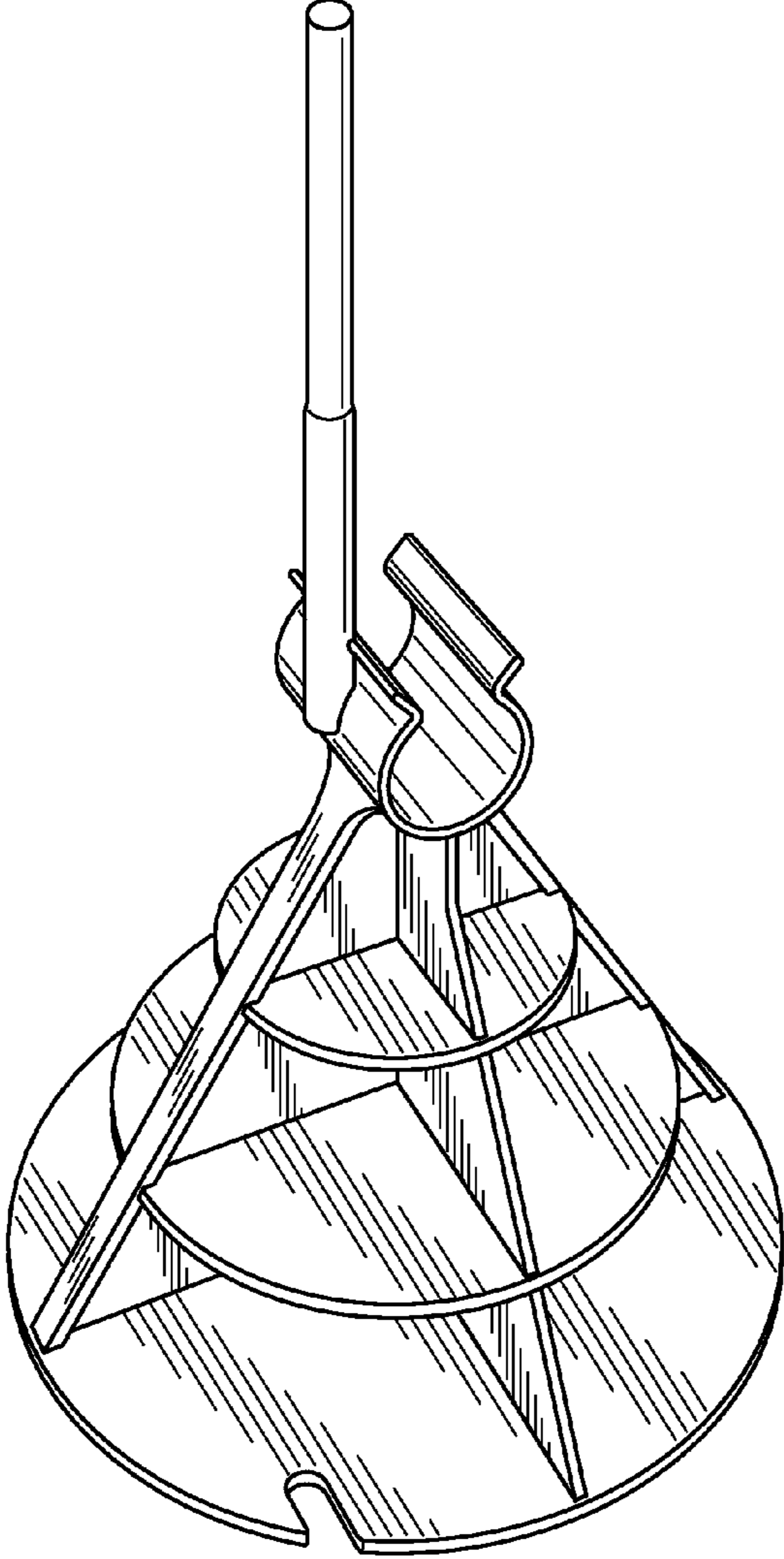


FIG. 1

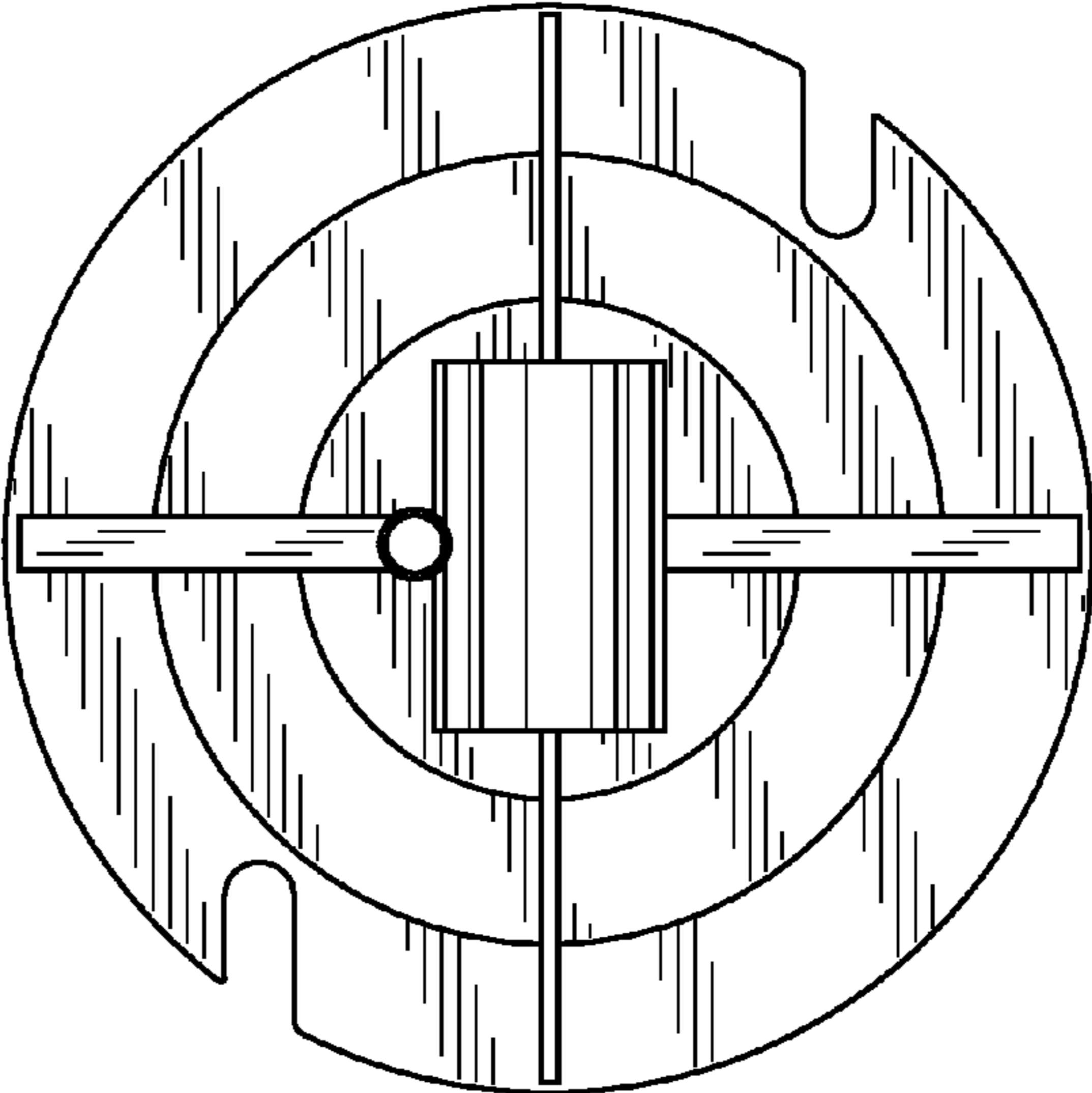


FIG. 2

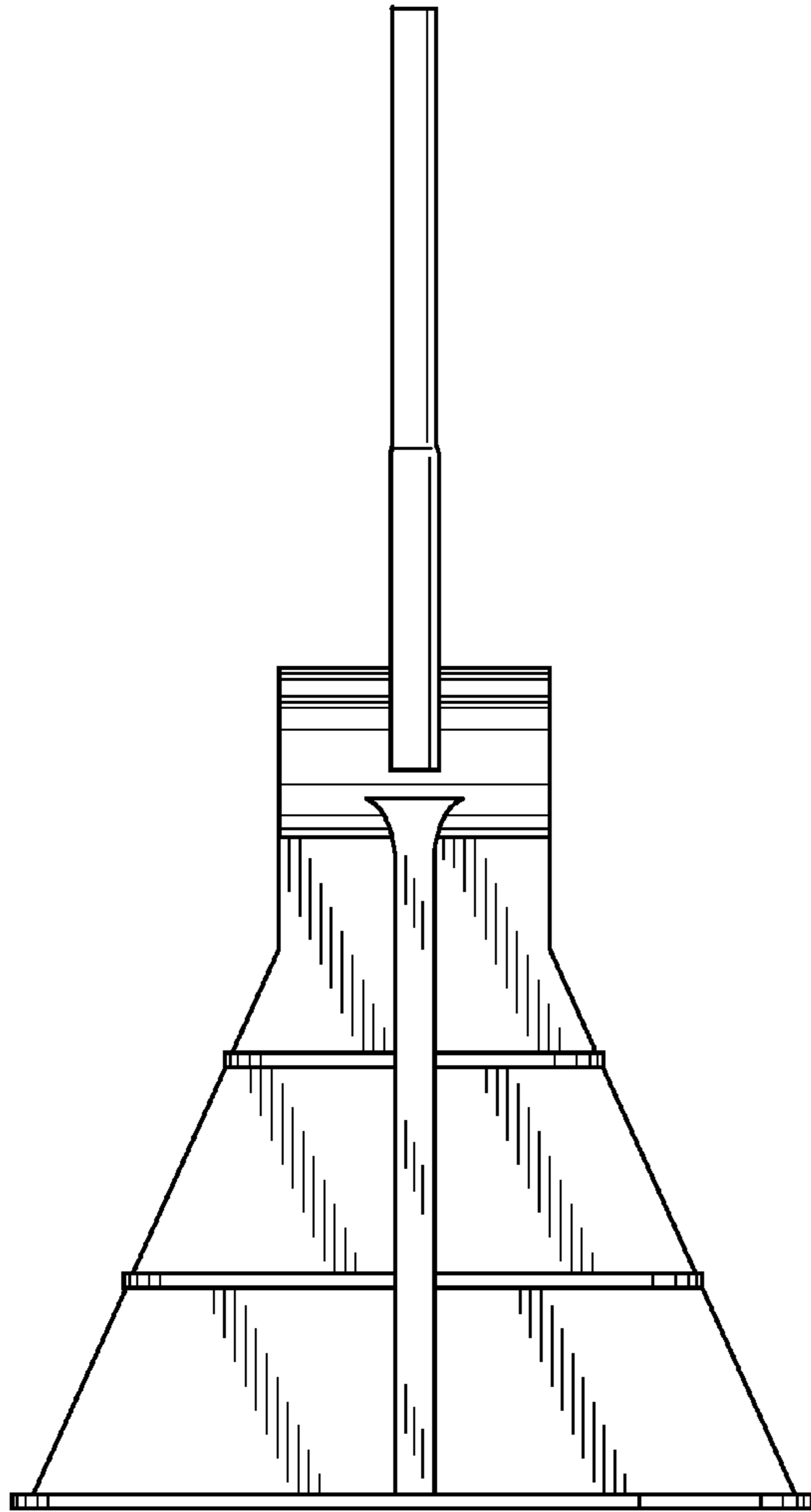


FIG. 3

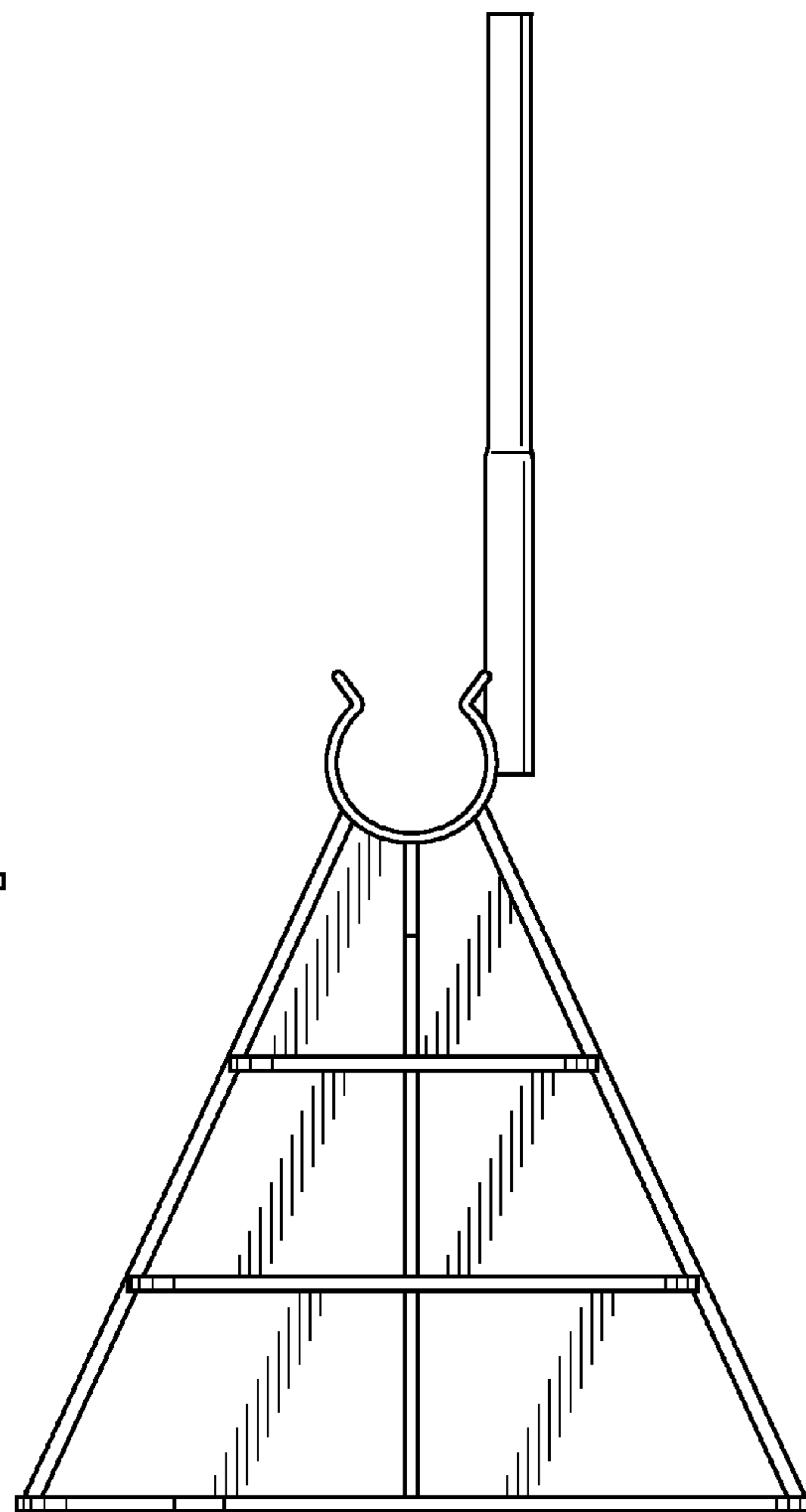


FIG. 4

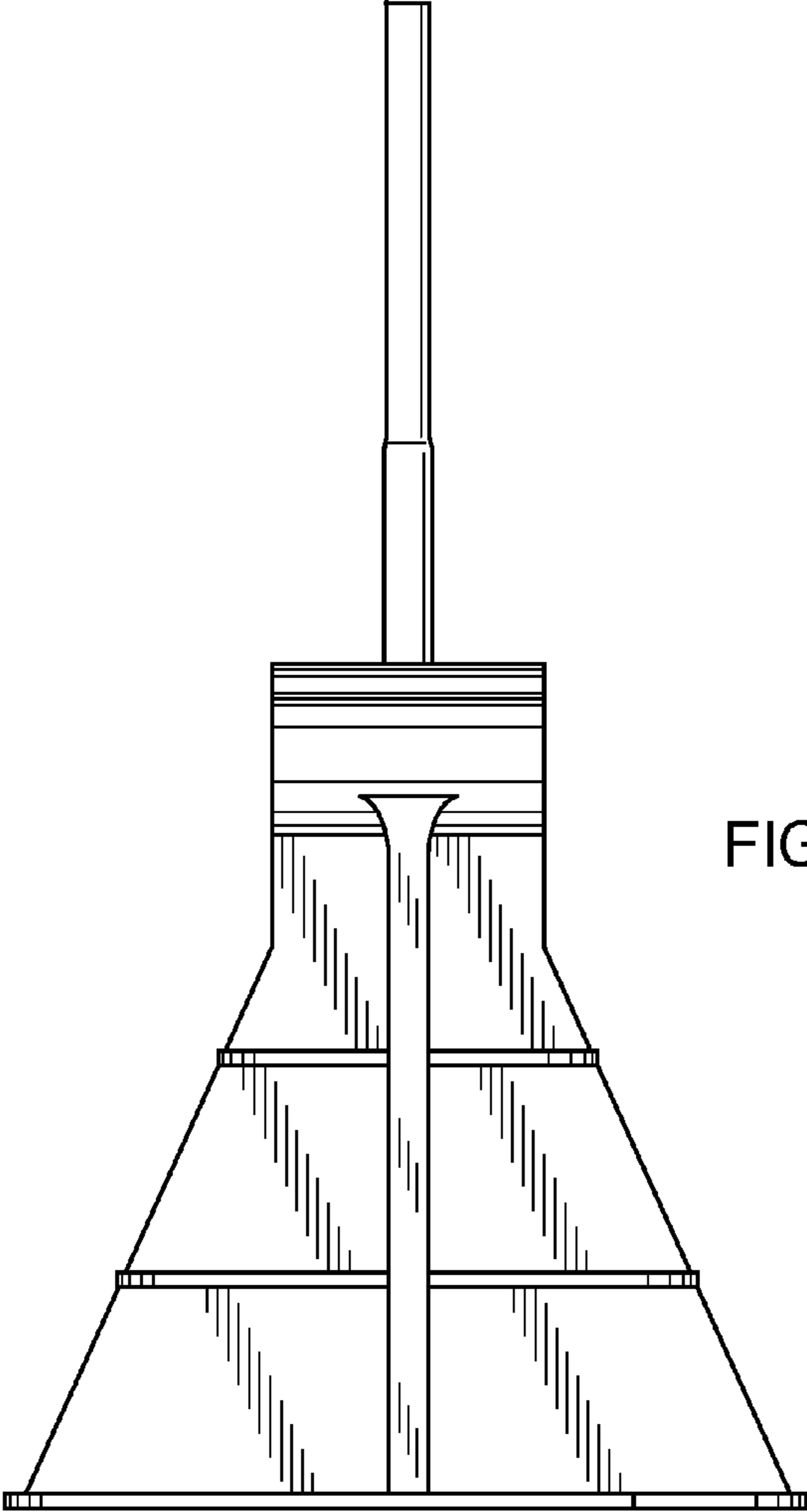


FIG. 5

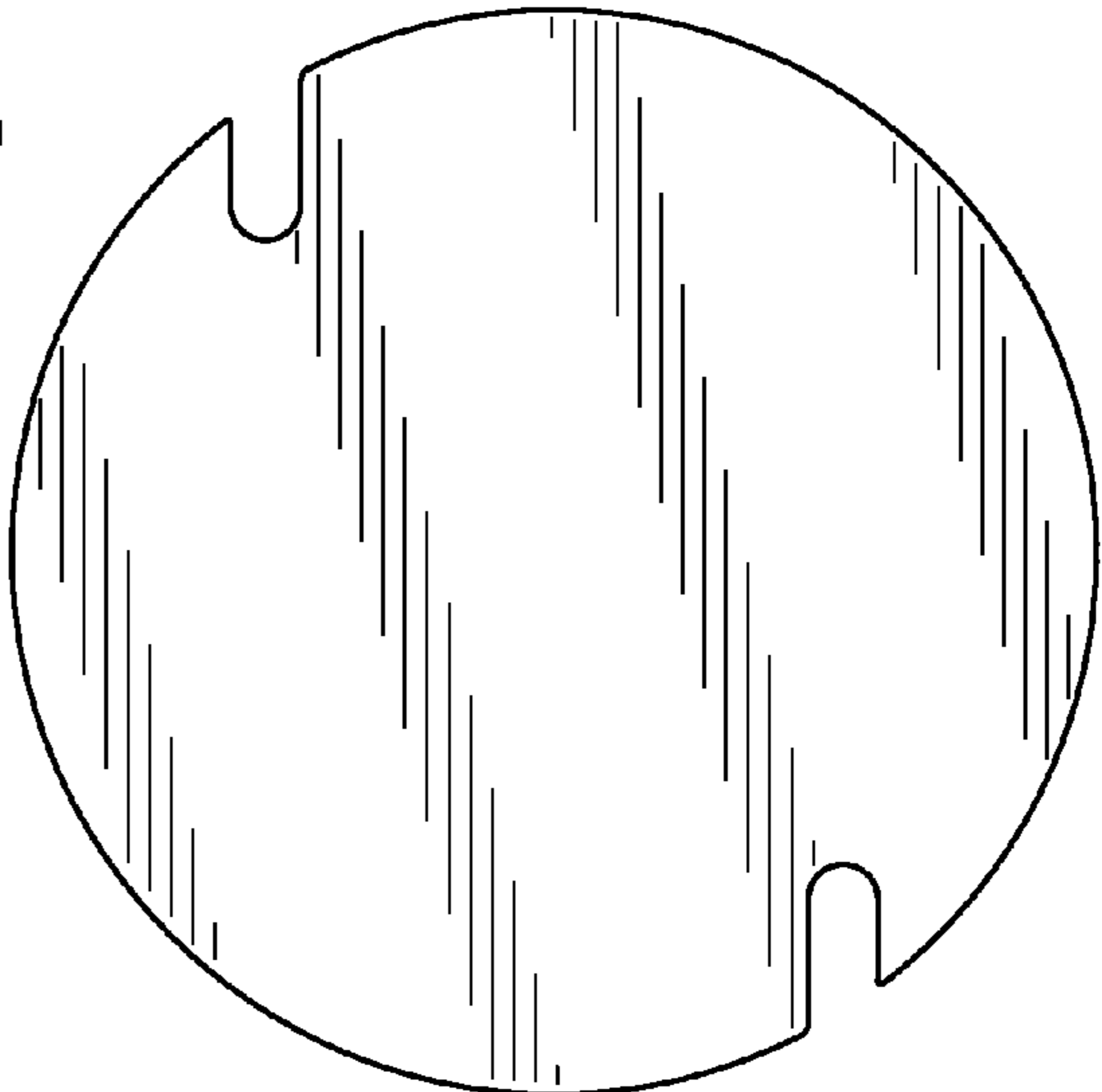


FIG. 6