



US00D618987S

(12) **United States Design Patent**
Ziaylek

(10) **Patent No.:** **US D618,987 S**
(45) **Date of Patent:** **** Jul. 6, 2010**

(54) **POSITIVELY ENGAGING TANK MOUNT BRACKET**

(76) Inventor: **Michael P. Ziaylek**, 15 Cold Spring Ave., Yardley, PA (US) 19067

(**) Term: **14 Years**

(21) Appl. No.: **29/312,715**

(22) Filed: **Nov. 7, 2008**

(51) **LOC (9) Cl.** **08-05**

(52) **U.S. Cl.** **D8/373**

(58) **Field of Classification Search** D8/354,
D8/373; 248/309.1, 300, 307, 313, 316.1
See application file for complete search history.

D314,325 S	2/1991	Ziaylek, Jr. et al.	
D319,778 S	9/1991	Ziaylek, Jr.	
5,213,392 A	5/1993	Bostrom et al.	
5,314,233 A	5/1994	Bostrom et al.	
D347,735 S *	6/1994	Ziaylek et al. D3/316
5,681,080 A	10/1997	Pond et al.	
D390,367 S	2/1998	Demski et al.	
D394,381 S *	5/1998	Ziaylek et al. D8/354
5,803,544 A	9/1998	Block et al.	
5,934,749 A	8/1999	Pond et al.	
5,975,475 A	11/1999	Chaplin	
D419,317 S	1/2000	Pond et al.	
D424,414 S	5/2000	Ziaylek et al.	
6,086,312 A	7/2000	Ziaylek et al.	
D434,495 S	11/2000	Whalen et al.	

(56) **References Cited**

U.S. PATENT DOCUMENTS

D44,015 S *	5/1913	MacGregor D8/373
2,431,698 A	12/1947	Lombard	
2,615,238 A	10/1952	Highwood	
3,194,529 A	7/1965	Brock	
3,547,391 A	12/1970	Johnson	
3,565,384 A *	2/1971	Lockwood 248/312
3,603,550 A	9/1971	Byrd	
D222,527 S *	11/1971	Ziaylek, Jr. D8/373
3,667,714 A	6/1972	Ziaylek, Jr.	
3,780,972 A *	12/1973	Brodersen 248/313
3,823,907 A	7/1974	Ziaylek, Jr.	
D237,357 S *	10/1975	Ziaylek, Jr. D8/373
3,971,591 A	7/1976	Ziaylek	
D244,392 S *	5/1977	Montambo D29/126
D245,929 S	9/1977	Montambo	
4,213,592 A *	7/1980	Lingenfelser 248/313
4,304,383 A *	12/1981	Huston 248/313
D264,935 S	6/1982	Ziaylek, Jr.	
D265,287 S	7/1982	Ziaylek, Jr.	
D267,227 S	12/1982	Ziaylek, Jr.	
4,379,541 A	4/1983	Harkness	
4,505,448 A	3/1985	Massie	
4,586,687 A	5/1986	Ziaylek, Jr.	
D298,704 S	11/1988	Ziaylek, Jr.	
4,848,714 A	7/1989	Ziaylek, Jr. et al.	
D303,738 S	10/1989	Ziaylek, Jr.	

(Continued)

Primary Examiner—Sandra Snapp
Assistant Examiner—Patricia Palasik
(74) *Attorney, Agent, or Firm*—Sperry, Zoda & Kane

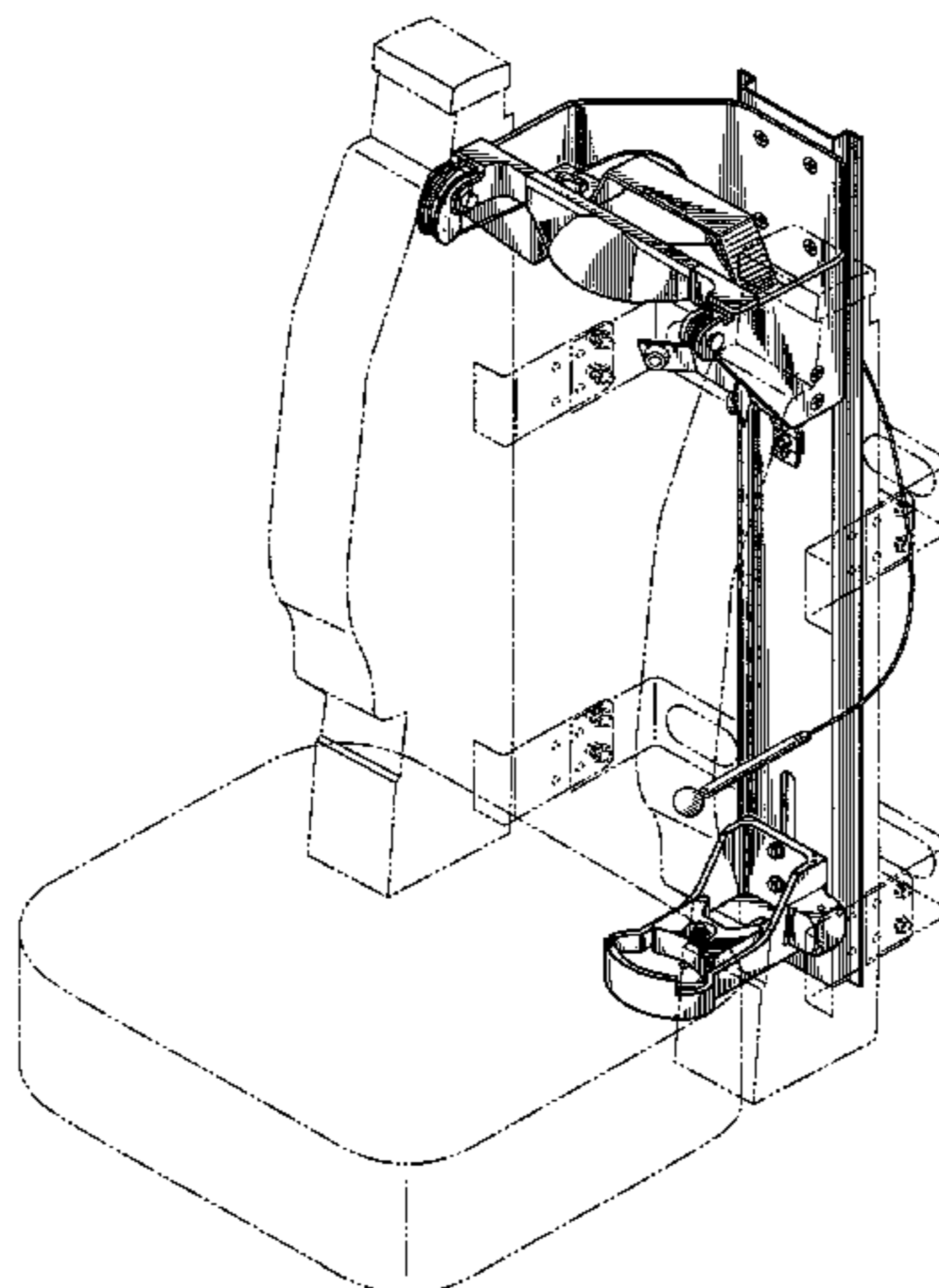
(57) **CLAIM**

The ornamental design for a positive engaging tank mount bracket, as shown and described.

DESCRIPTION

FIG. 1 is a front three-quarter perspective illustration embodying my new design;
FIG. 2 is a front elevation view;
FIG. 3 is a side elevation view taken from the left of FIG. 2;
FIG. 4 is a rear elevation view;
FIG. 5 is a side elevation view taken from the right of FIG. 2.
FIG. 6 is a top plan view; and,
FIG. 7 is a bottom plan view.
The broken lines in the drawings depict unclaimed environmental subject matter.

1 Claim, 6 Drawing Sheets



US D618,987 S

Page 2

U.S. PATENT DOCUMENTS

6,220,557	B1	4/2001	Ziaylek et al.	6,830,226	B2	12/2004	Field et al.
6,543,736	B2	4/2003	Field	6,883,766	B1	4/2005	Ziaylek et al.
6,601,923	B2	8/2003	Pond et al.	6,926,243	B1	8/2005	Ziaylek et al.
D480,294	S *	10/2003	Ziaylek et al. D8/373	D558,566	S *	1/2008	Ziaylek D8/373
6,655,745	B2	12/2003	Fohrenkamm et al.	D562,116	S *	2/2008	Ziaylek et al. D8/373
6,702,242	B1	3/2004	Ziaylek, Jr. et al.	7,448,586	B2 *	11/2008	Ziaylek et al. 248/311.3
D494,049	S	8/2004	Ziaylek et al.	2002/0063193	A1 *	5/2002	Field 248/313
D494,453	S	8/2004	Ziaylek et al.	2003/0038525	A1	2/2003	Pond et al.
6,769,659	B1	8/2004	Martello	2003/0106977	A1 *	6/2003	Alberts 248/313

* cited by examiner

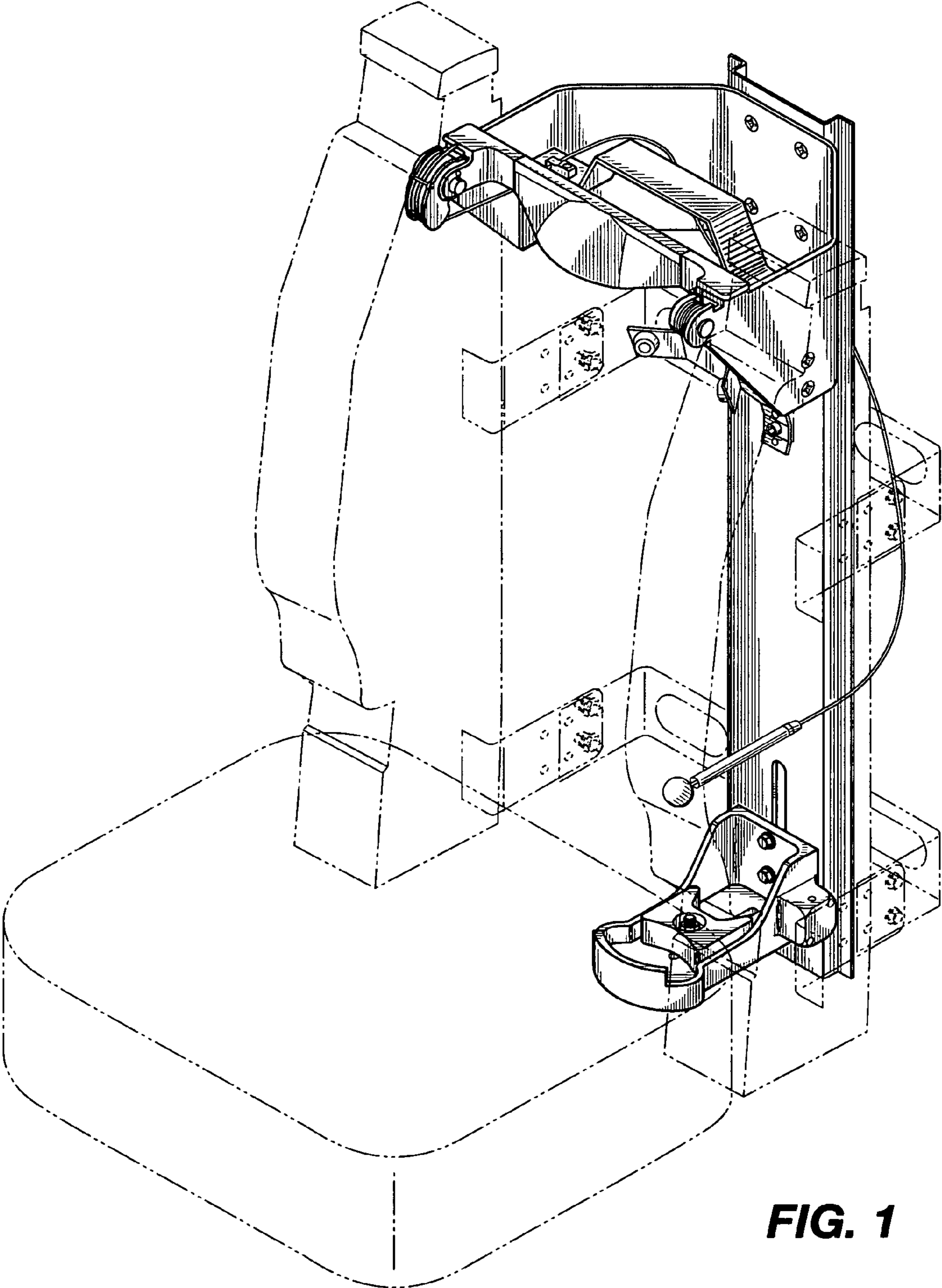


FIG. 1

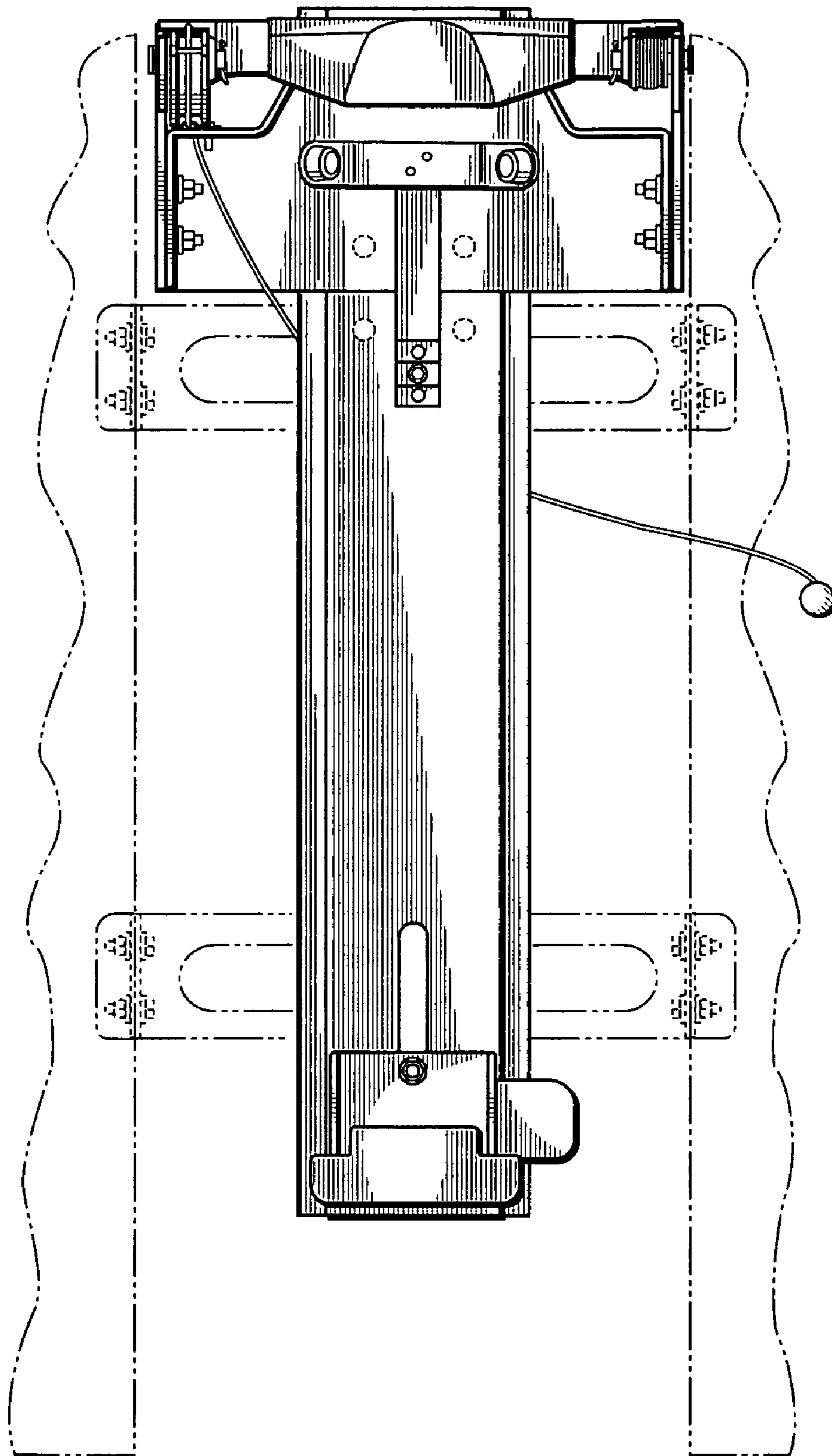


FIG. 2

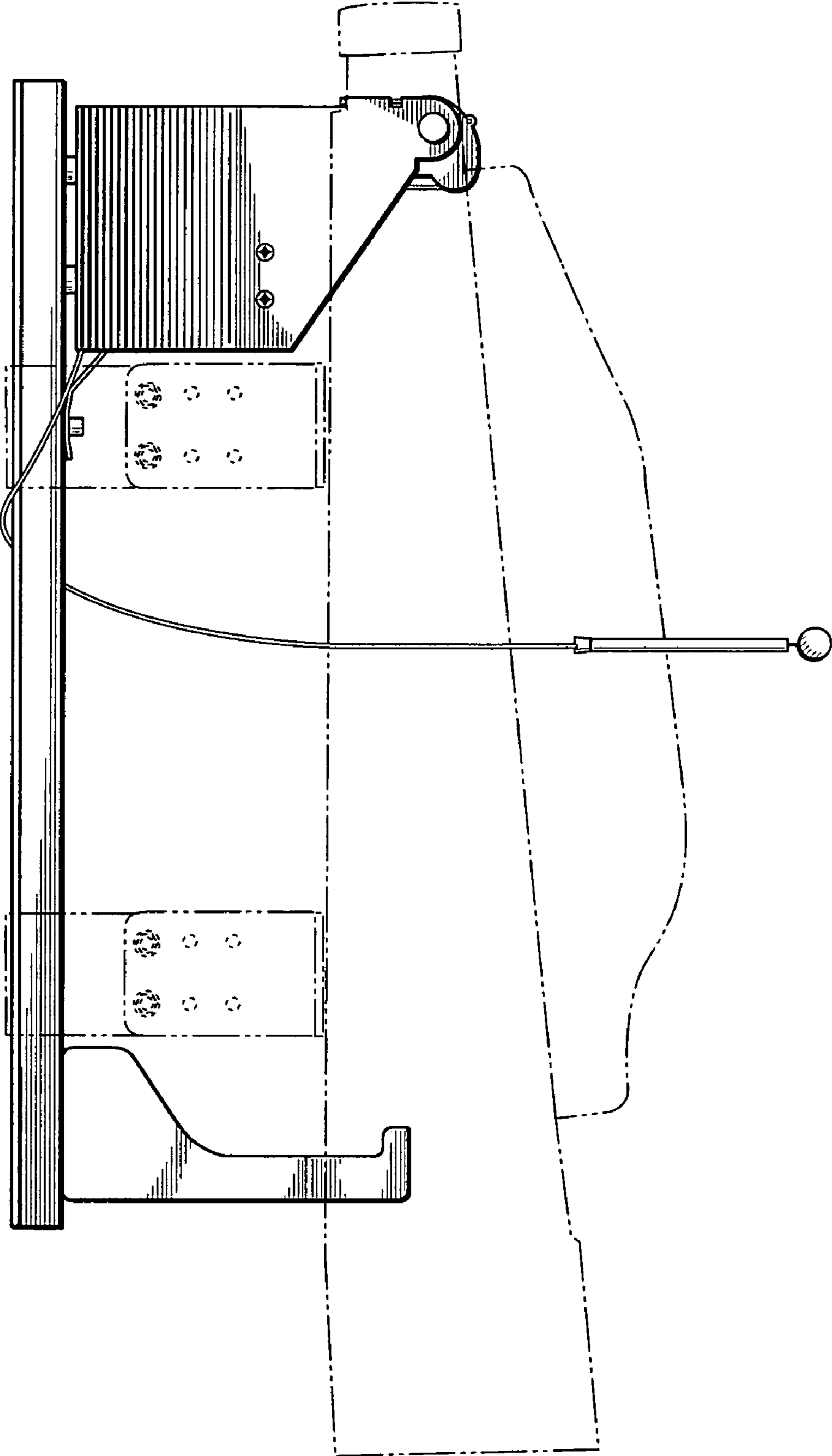


FIG. 3

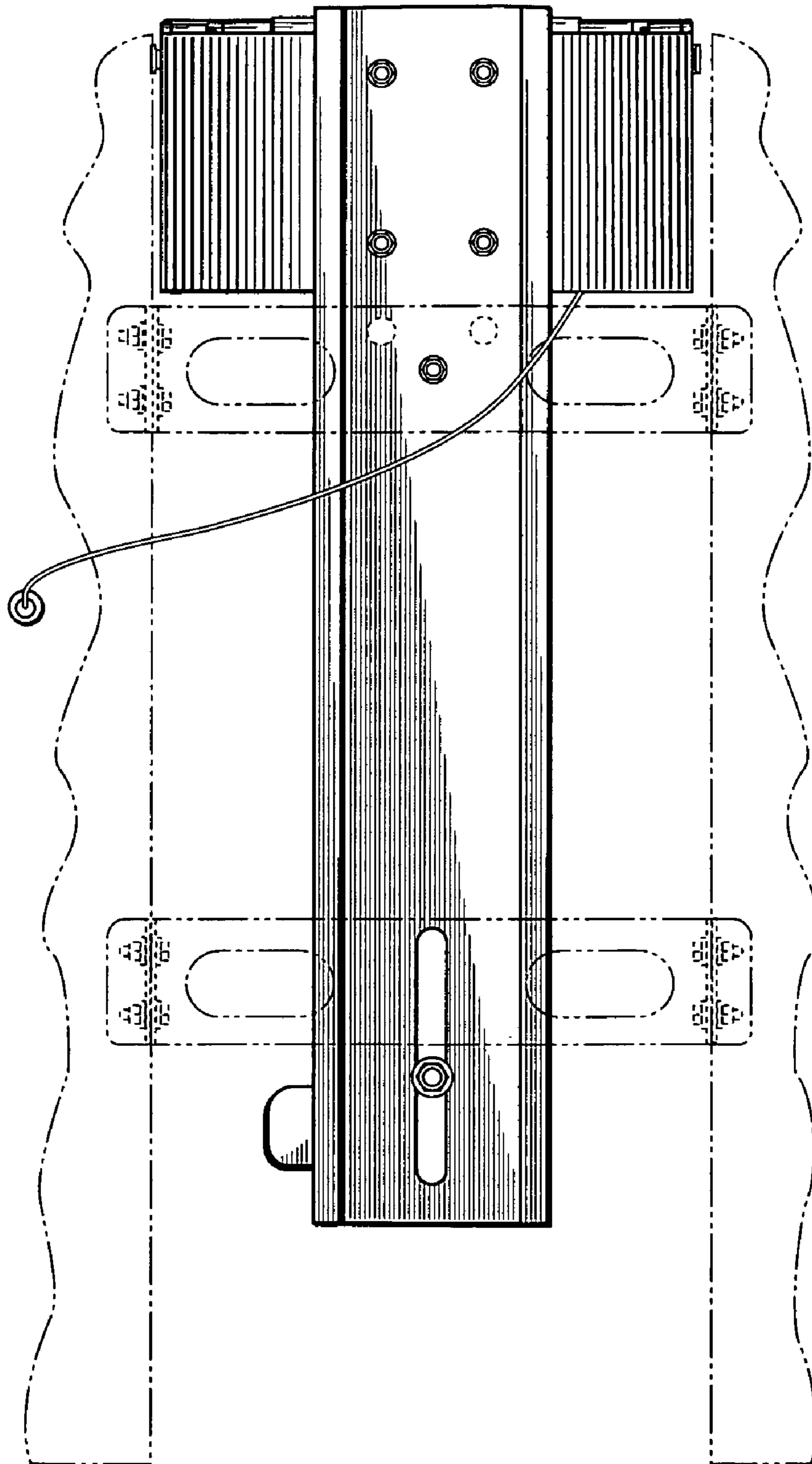


FIG. 4

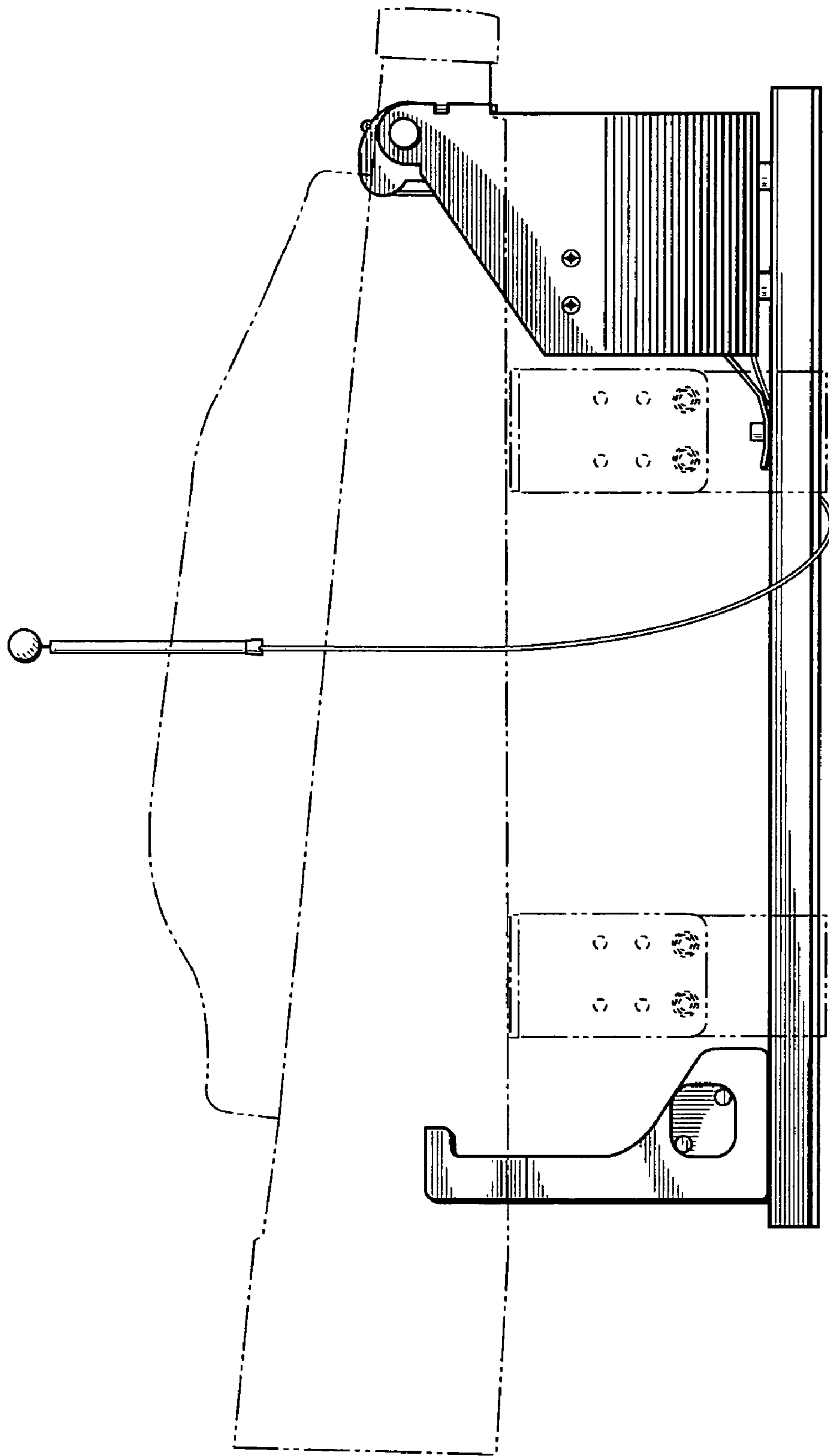


FIG. 5

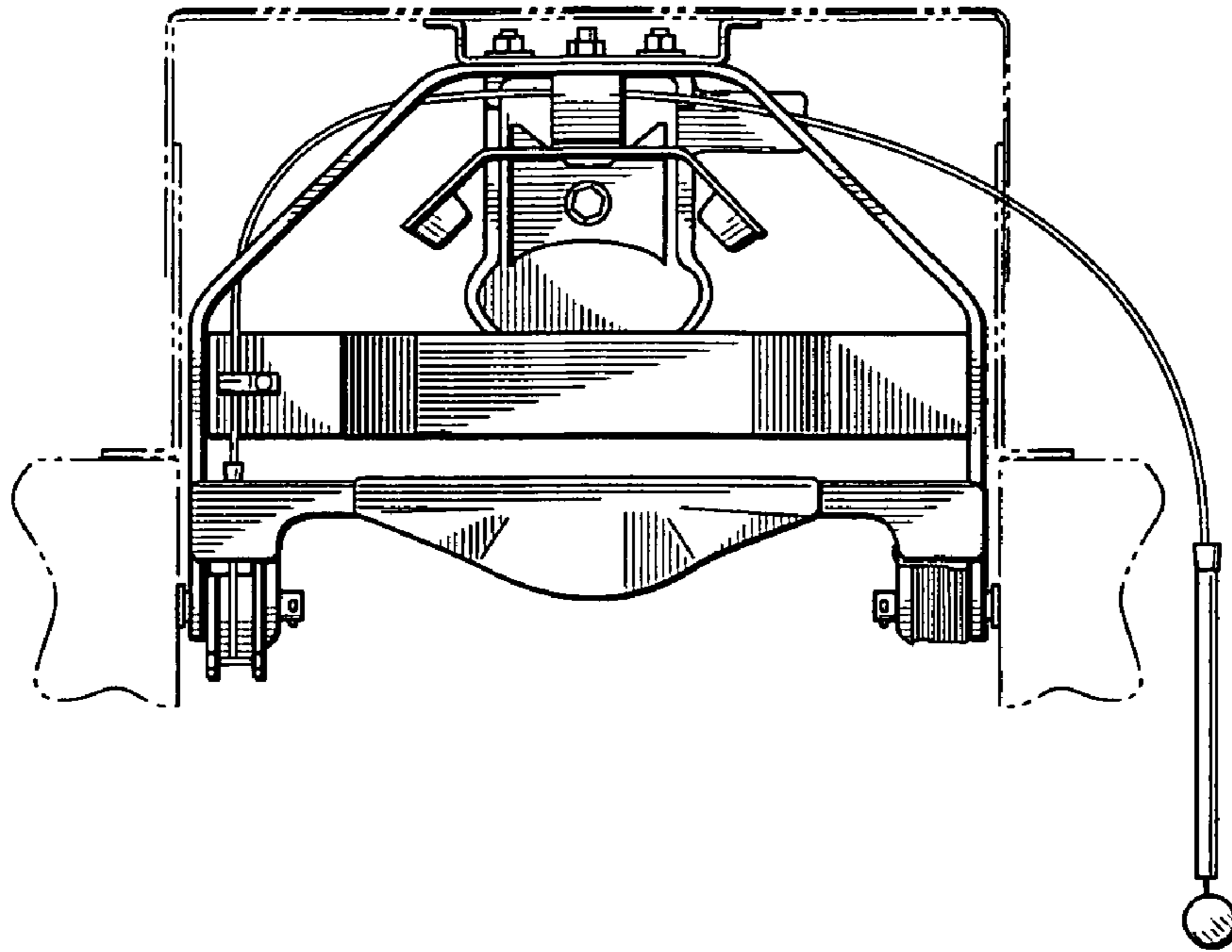


FIG. 6

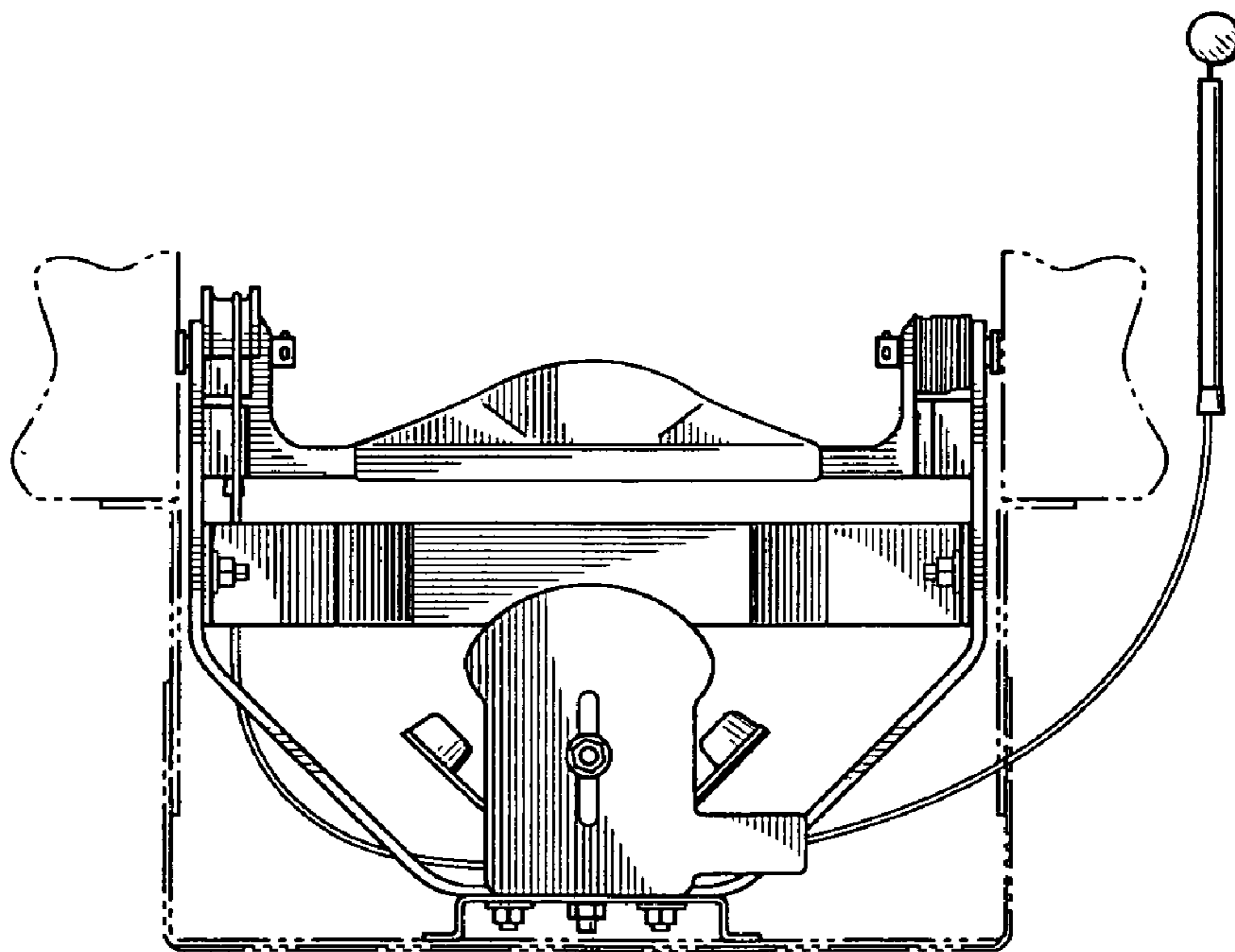


FIG. 7