



US00D618983S

(12) **United States Design Patent**
Downes

(10) **Patent No.:** **US D618,983 S**

(45) **Date of Patent:** **** Jul. 6, 2010**

(54) **KEY HEAD**

(75) Inventor: **Josh Downes**, Henderson, NV (US)

(73) Assignee: **Keypoint, Inc.**, Henderson, NV (US)

(**) Term: **14 Years**

(21) Appl. No.: **29/344,301**

(22) Filed: **Sep. 25, 2009**

6,367,298	B1 *	4/2002	Janssen et al.	70/278.3
6,473,022	B1 *	10/2002	Wu	341/176
6,604,308	B1 *	8/2003	Robles	40/330
D530,186	S *	10/2006	Johansson	D8/347
7,360,383	B1 *	4/2008	Chang	70/395
D569,227	S *	5/2008	Boenisch	D8/347
D592,935	S *	5/2009	Mesh et al.	D8/347

* cited by examiner

Primary Examiner—Prabhakar Deshmukh

(74) *Attorney, Agent, or Firm*—The Johnson IP Law Firm; Rodney D. Johnson

Related U.S. Application Data

(63) Continuation of application No. PCT/US08/86896, filed on Dec. 15, 2008, which is a continuation-in-part of application No. PCT/US07/78960, filed on Sep. 19, 2007, said application No. 29/344,301 is a continuation-in-part of application No. 12/442,098, filed as application No. PCT/US07/78960 on Sep. 19, 2007.

(51) **LOC (9) Cl.** **08-07**

(52) **U.S. Cl.** **D8/347**

(58) **Field of Classification Search** D8/330,
D8/331, 347; 70/336, 334–352, 357, 382,
70/393, 387

See application file for complete search history.

(56) **References Cited**

U.S. PATENT DOCUMENTS

4,305,267	A *	12/1981	Nish et al.	70/395
4,417,410	A *	11/1983	Freedom	40/330
D307,863	S *	5/1990	Boag	D8/347

(57) **CLAIM**

The ornamental design for a key head, as shown and described.

DESCRIPTION

FIG. 1 is a perspective view of a key head embodying my design;

FIG. 2 is a front view thereof;

FIG. 3 is a top view thereof;

FIG. 4 is a left side view thereof;

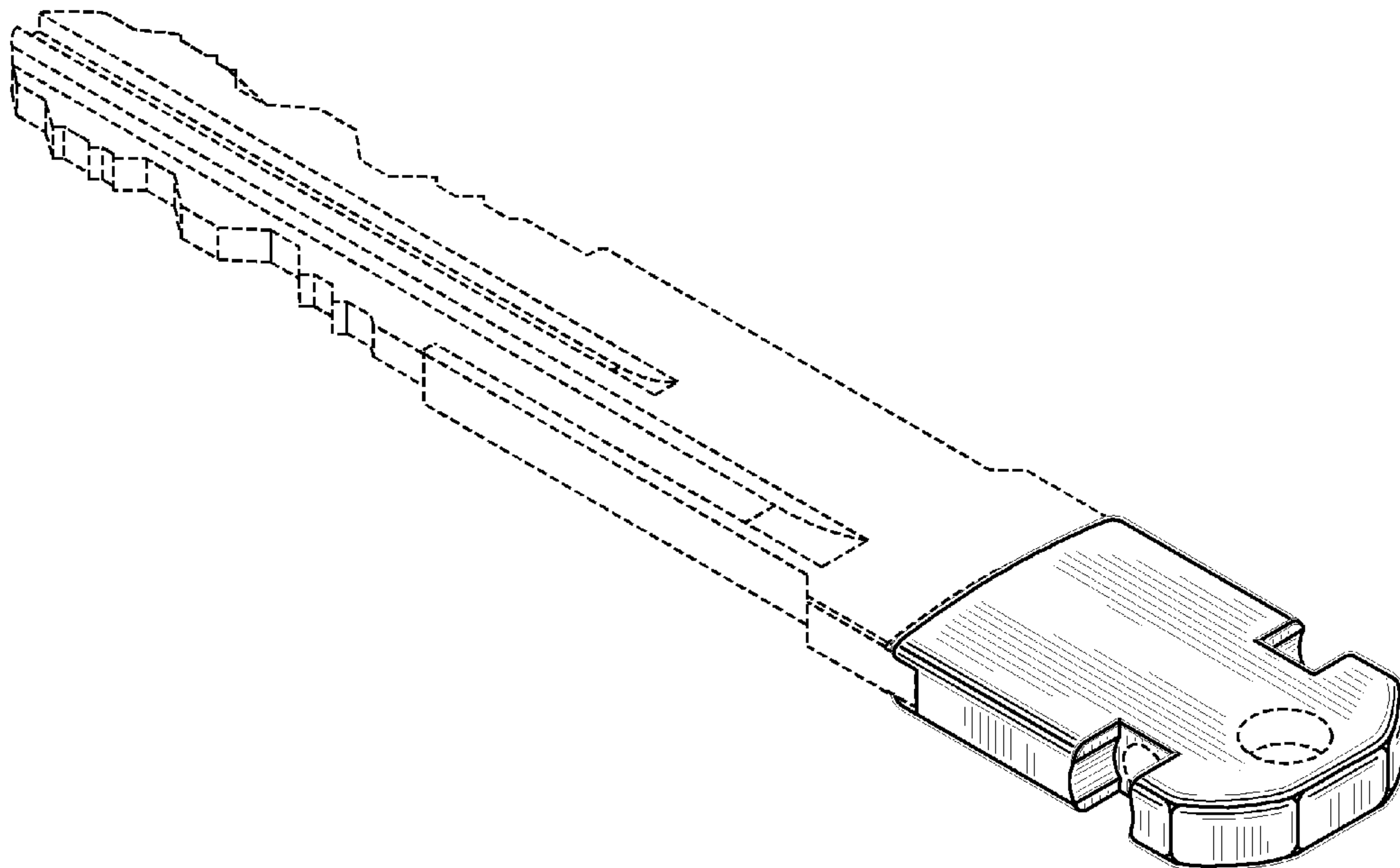
FIG. 5 is a rear view thereof;

FIG. 6 is a right side view thereof; and,

FIG. 7 is a bottom view thereof.

The broken line portions of the disclosure are for illustrative purposes only and form no part of the claimed design.

1 Claim, 2 Drawing Sheets



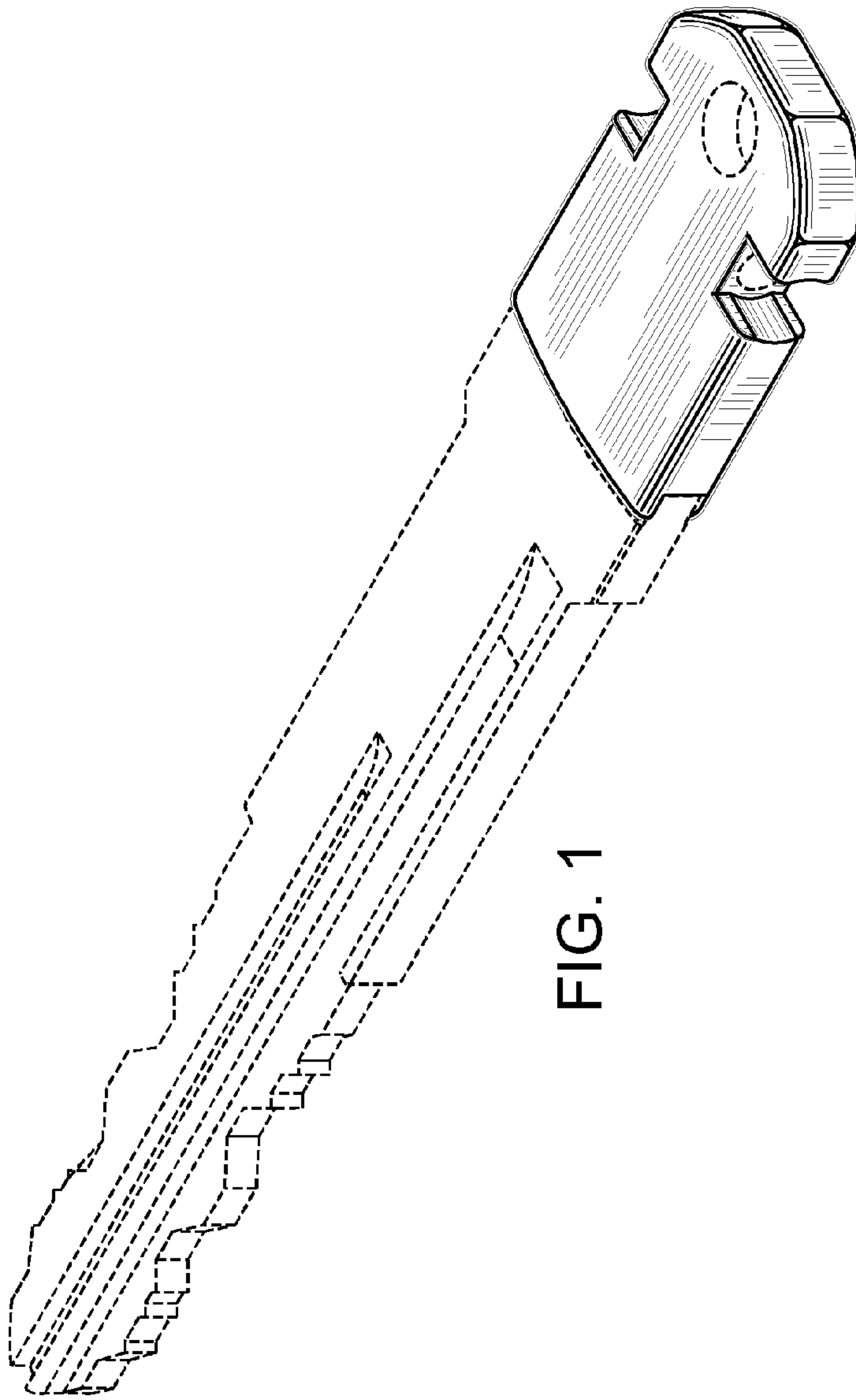


FIG. 1

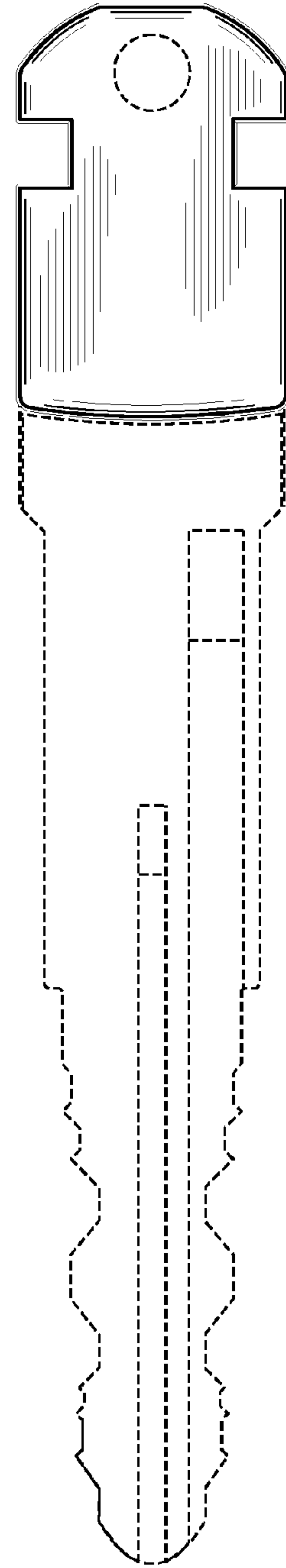


FIG. 2

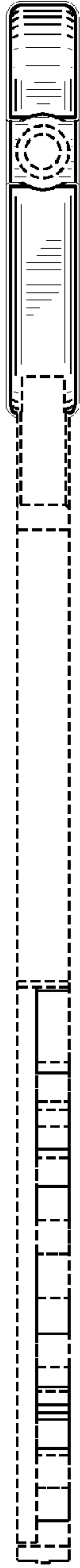


FIG. 3

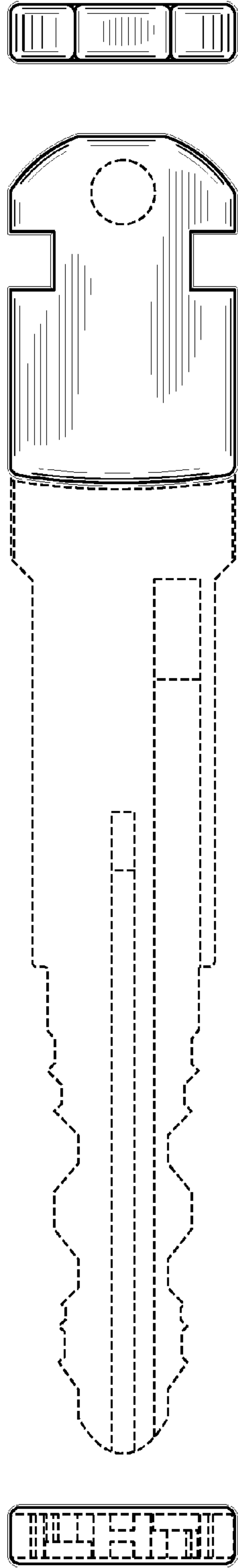


FIG. 4

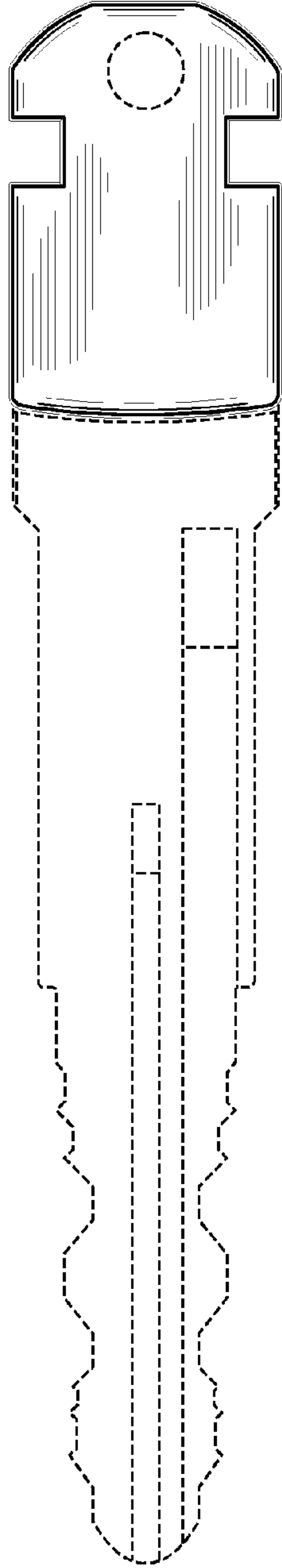


FIG. 5



FIG. 6



FIG. 7