

US00D618981S

(12) **United States Design Patent**
Gringer

(10) **Patent No.:** **US D618,981 S**

(45) **Date of Patent:** **** Jul. 6, 2010**

(54) **TOOL HANDLE**

3,250,000 A 5/1966 Schumman

(75) Inventor: **Donald Gringer**, New York, NY (US)

(73) Assignee: **Allway Tools, Inc.**, Bronx, NY (US)

(Continued)

(**) Term: **14 Years**

FOREIGN PATENT DOCUMENTS

(21) Appl. No.: **29/345,171**

WO 2000/06347 2/2000

(22) Filed: **Oct. 12, 2009**

OTHER PUBLICATIONS

(51) **LOC (9) Cl.** **08-05**

(52) **U.S. Cl.** **D8/107; D32/41; D32/52**

(58) **Field of Classification Search** D8/47,

D8/107, 303; D7/393, 395, 645; D32/40,

D32/41, 46, 49, 52; 30/169, 340, 166 R;

16/110.1, 421, 422; 81/177.1-177.7, 489

See application file for complete search history.

“Soft Grip Tools for Hard Hats Jobs”, Allway Tools Inc., 2008.

(Continued)

Primary Examiner—Cathron C Brooks

Assistant Examiner—Barbara Fox

(74) *Attorney, Agent, or Firm*—Gottlieb, Rackman & Reisman, P.C.

(56) **References Cited**

U.S. PATENT DOCUMENTS

D27,947 S *	12/1897	Norton	D7/693
656,468 A	8/1900	Mullin		
693,518 A	2/1902	Hamilton		
736,741 A	8/1903	Klemm		
952,746 A	3/1910	Lane		
1,068,683 A	7/1913	Malek		
D57,139 S	2/1921	Marcy		
1,463,745 A	7/1923	Layne		
1,584,021 A	5/1926	Malvin		
2,119,145 A	5/1938	Deitrich		
2,145,985 A	2/1939	Krajicek		
2,245,096 A	6/1941	Penney		
2,286,190 A	6/1942	Abrahamsen		
2,336,284 A	12/1943	Nelson		
2,376,887 A	5/1945	Walters		
2,783,537 A	3/1957	Gringer		
2,846,764 A	8/1958	Hyneman		
2,862,296 A	12/1958	Anderson		
2,948,961 A	8/1960	Ortner		
2,953,175 A	9/1960	Robinson, Jr.		
3,107,426 A	10/1963	Robinson Jr.		
3,162,947 A	12/1964	Gringer		
3,192,624 A	7/1965	Gringer		

(57) **CLAIM**

The ornamental design for a tool handle, as shown and described.

DESCRIPTION

FIG. 1 is a top, front and left side perspective view of a tool handle showing my new design;

FIG. 2 is a top view thereof;

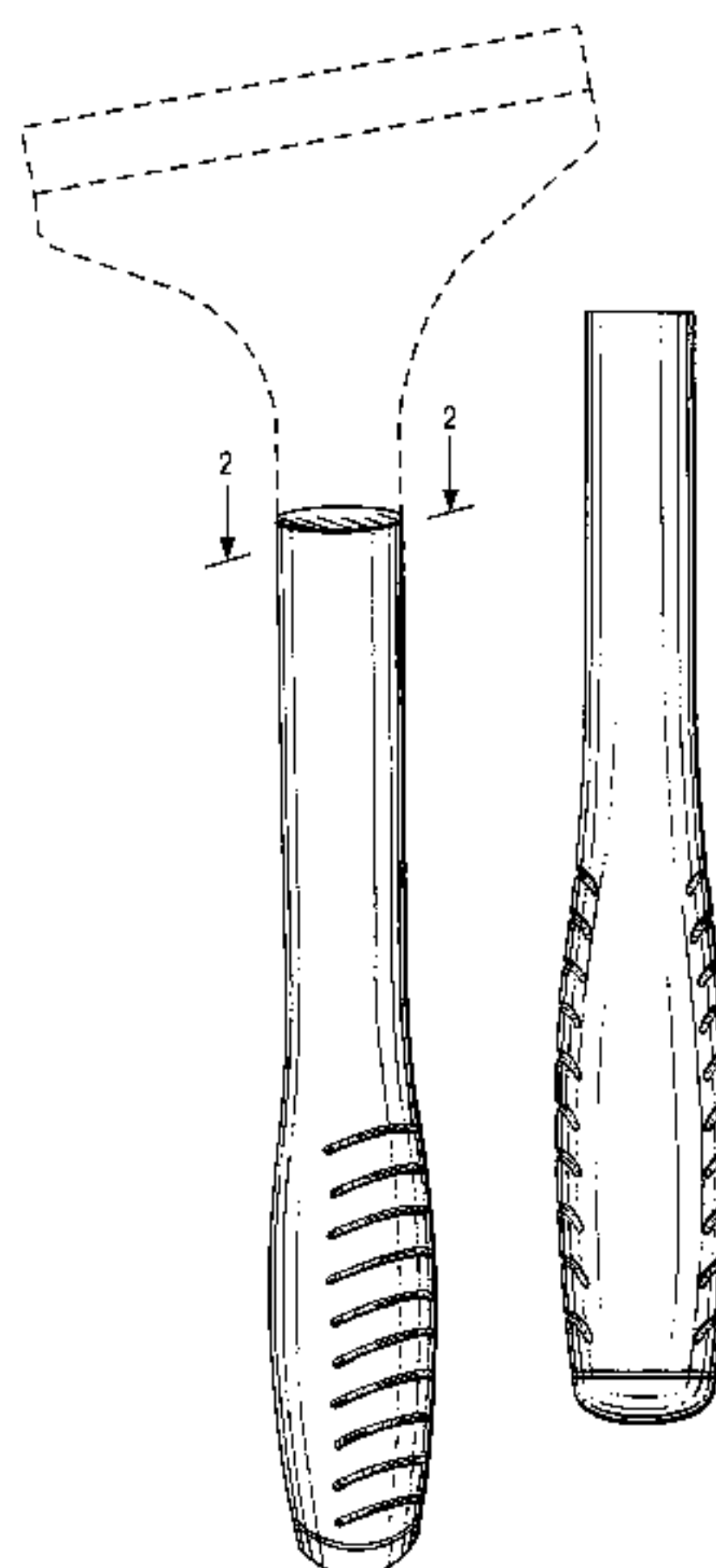
FIG. 3 is a left side elevational view thereof, with the right side elevational view being a mirror image;

FIG. 4 is a front elevational view thereof, with the rear elevational view being a mirror image; and,

FIG. 5 is a bottom view thereof.

The dotted lines in FIG. 1, which include a representation of scraper head, are included for the purpose of illustrating environmental structure and form no part of the claimed design.

1 Claim, 3 Drawing Sheets



US D618,981 S

U.S. PATENT DOCUMENTS

3,667,122	A	6/1972	Black		6,219,923	B1	4/2001	Sinisi et al.
3,688,401	A	9/1972	Hartman		D444,692	S	7/2001	Marquardt
D234,743	S *	4/1975	Andersen	D32/49	6,286,215	B1	9/2001	Panaccione
D240,699	S	7/1976	Gerson		D453,251	S	1/2002	Gringer et al.
4,005,525	A	2/1977	Gringer		6,349,473	B1	2/2002	Schmidt
D267,826	S	2/1983	Gringer		D455,900	S	4/2002	Tecson
D274,952	S	7/1984	Gringer		6,405,616	B1	6/2002	Chen
D274,953	S	7/1984	Gringer		6,415,514	B1	7/2002	Chun
4,558,517	A	12/1985	Gringer		D461,309	S	8/2002	Erickson et al.
D282,881	S	3/1986	Gringer		6,438,849	B1	8/2002	Wondrley
D296,498	S	7/1988	Colling		D462,514	S	9/2002	Rivera et al.
4,805,304	A	2/1989	Knoop		D463,639	S	9/2002	Panfili et al.
D300,112	S	3/1989	Osterhout		6,474,519	B1	11/2002	Cleveland
5,022,156	A	6/1991	Kallens et al.		D467,395	S	12/2002	McCool
5,025,558	A	6/1991	Gilbert		6,487,778	B1	12/2002	Gringer et al.
D319,379	S	8/1991	Cummings et al.		D468,989	S	1/2003	Gringer et al.
5,056,226	A	10/1991	Gringer		6,530,098	B1	3/2003	Gringer et al.
D324,473	S *	3/1992	Chen	D8/80	6,568,087	B1	5/2003	Gringer
D326,546	S	5/1992	Gringer		D479,374	S	9/2003	Gringer et al.
D327,553	S	6/1992	Gringer		D479,375	S	9/2003	Gringer et al.
5,121,544	A	6/1992	Gilbert		6,637,112	B2	10/2003	Davis et al.
5,141,517	A	8/1992	Schutt		D489,851	S	5/2004	Jones et al.
D331,692	S	12/1992	Rieser		6,732,395	B2	5/2004	Gringer
D346,319	S	4/1994	Lavallee et al.		D495,198	S *	8/2004	Gonzalez
D353,085	S	12/1994	Choi		6,832,438	B1	12/2004	Gringer et al.
5,386,632	A	2/1995	Schmidt		D506,311	S	6/2005	Nigh
RE34,979	E	6/1995	Gringer		6,964,100	B1	11/2005	Musland
D359,672	S	6/1995	Gardiner		D515,387	S *	2/2006	Hung
5,426,855	A	6/1995	Keklak et al.		D516,263	S	2/2006	Gringer et al.
5,433,004	A	7/1995	Thompson		7,055,407	B2	6/2006	Gringer
5,435,064	A	7/1995	Brookfield		D526,185	S *	8/2006	Hung
D364,252	S	11/1995	Henke		D526,532	S	8/2006	Munari
5,501,382	A	3/1996	Webb		D527,241	S	8/2006	Davis et al.
5,528,832	A	6/1996	Schmidt		D527,580	S	9/2006	Munari
5,545,175	A	8/1996	Abidin et al.		D529,780	S	10/2006	Davis et al.
5,581,890	A	12/1996	Schmidt		D531,864	S	11/2006	Ping
5,613,300	A	3/1997	Schmidt		D533,343	S	12/2006	Gringer
D384,564	S *	10/1997	Bengtsson et al.	D8/75	7,150,102	B2	12/2006	Gringer et al.
D397,020	S	8/1998	Pardue		D537,591	S	2/2007	Gringer et al.
5,813,121	A	9/1998	Gringer		7,325,313	B2	2/2008	Gringer et al.
D399,722	S	10/1998	Eidsmoe et al.		7,346,988	B2	3/2008	Gringer et al.
D411,780	S	7/1999	Muller		D567,602	S *	4/2008	Choy et al.
D414,395	S	9/1999	Panfili		2002/0008128	A1	1/2002	Field
5,956,799	A	9/1999	Panaccione et al.		2004/0040991	A1	3/2004	McCoy
D417,073	S	11/1999	Diener et al.		2004/0173650	A1	9/2004	Berns
6,026,575	A	2/2000	Wonderley		2005/0097756	A1	5/2005	Gringer et al.
D421,890	S	3/2000	Alexander et al.		2005/0279787	A1	12/2005	Davis
6,044,562	A	4/2000	Dillenbeck		2007/0209209	A1	9/2007	Davis
6,058,607	A	5/2000	Gringer					
6,085,952	A	7/2000	Garland					
6,131,290	A	10/2000	Chiou					

OTHER PUBLICATIONS

“The Installation Tools”, Ace Industrial (Ningbo) Co., Ltd.

* cited by examiner

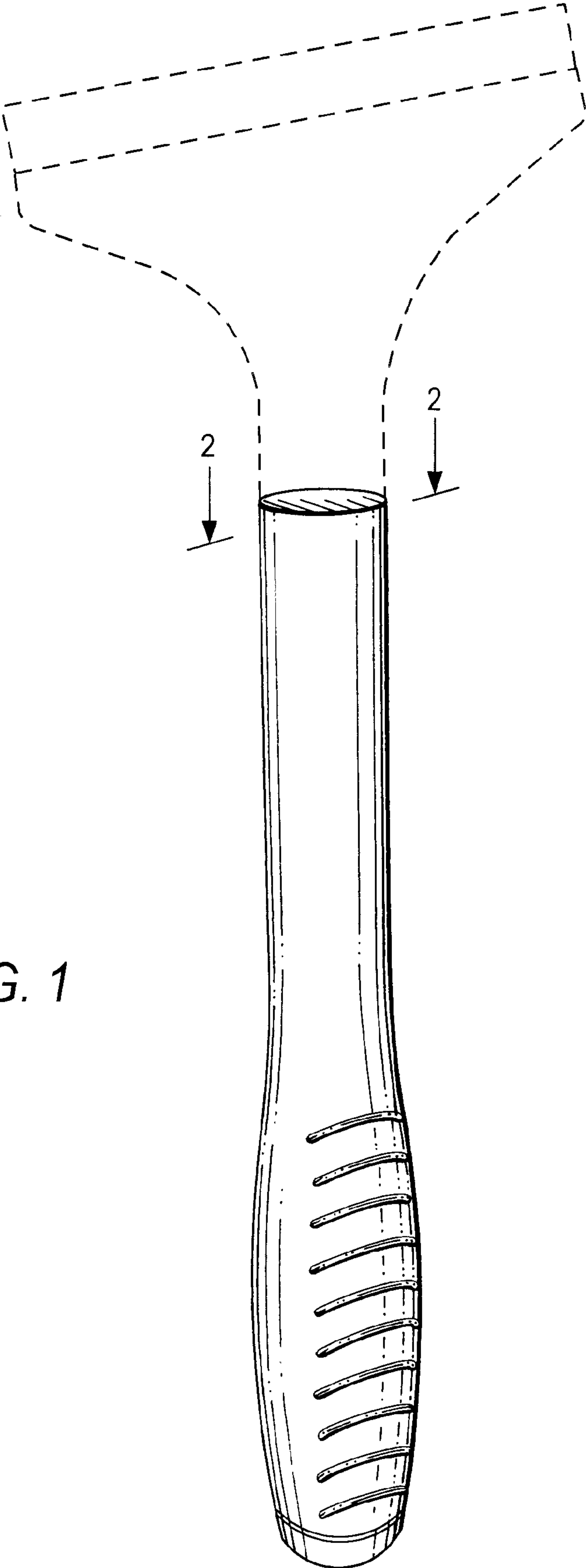


FIG. 1

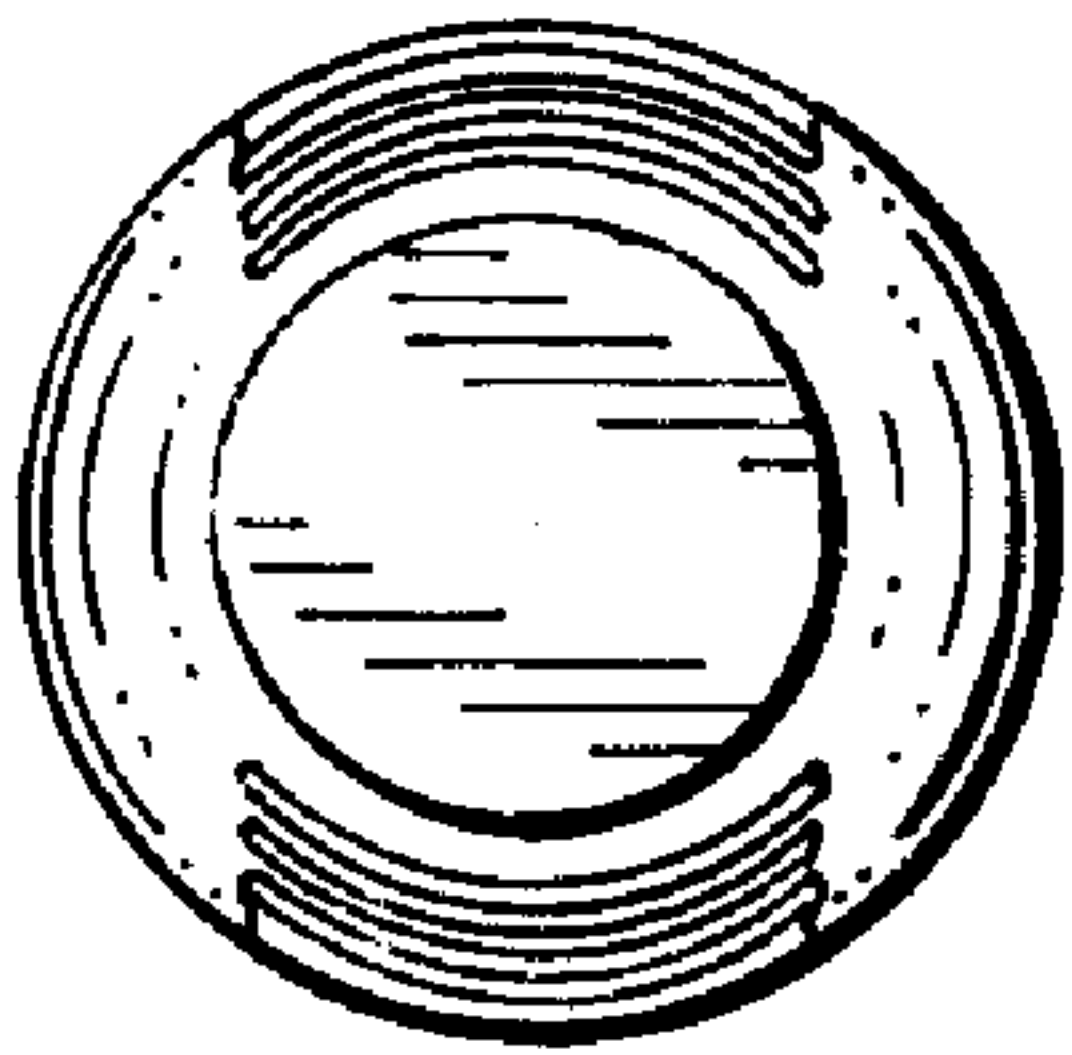


FIG. 2

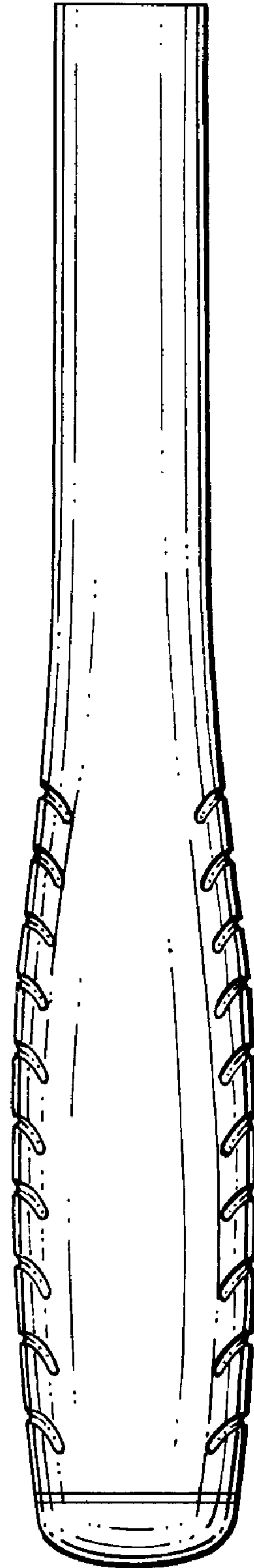


FIG. 3

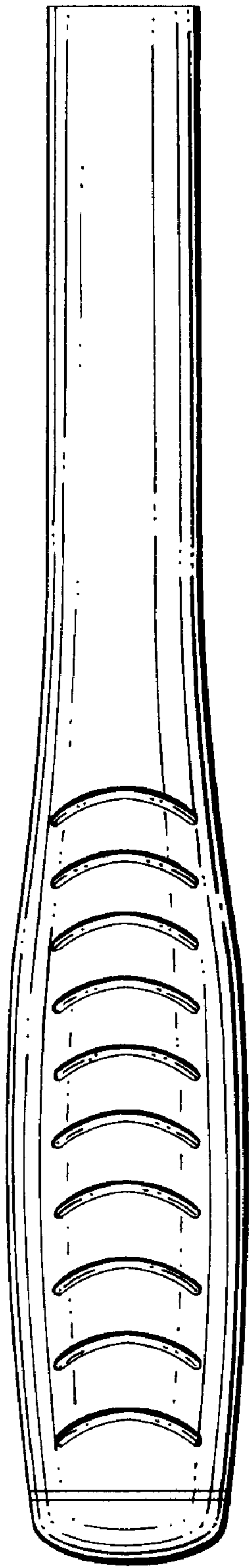


FIG. 4

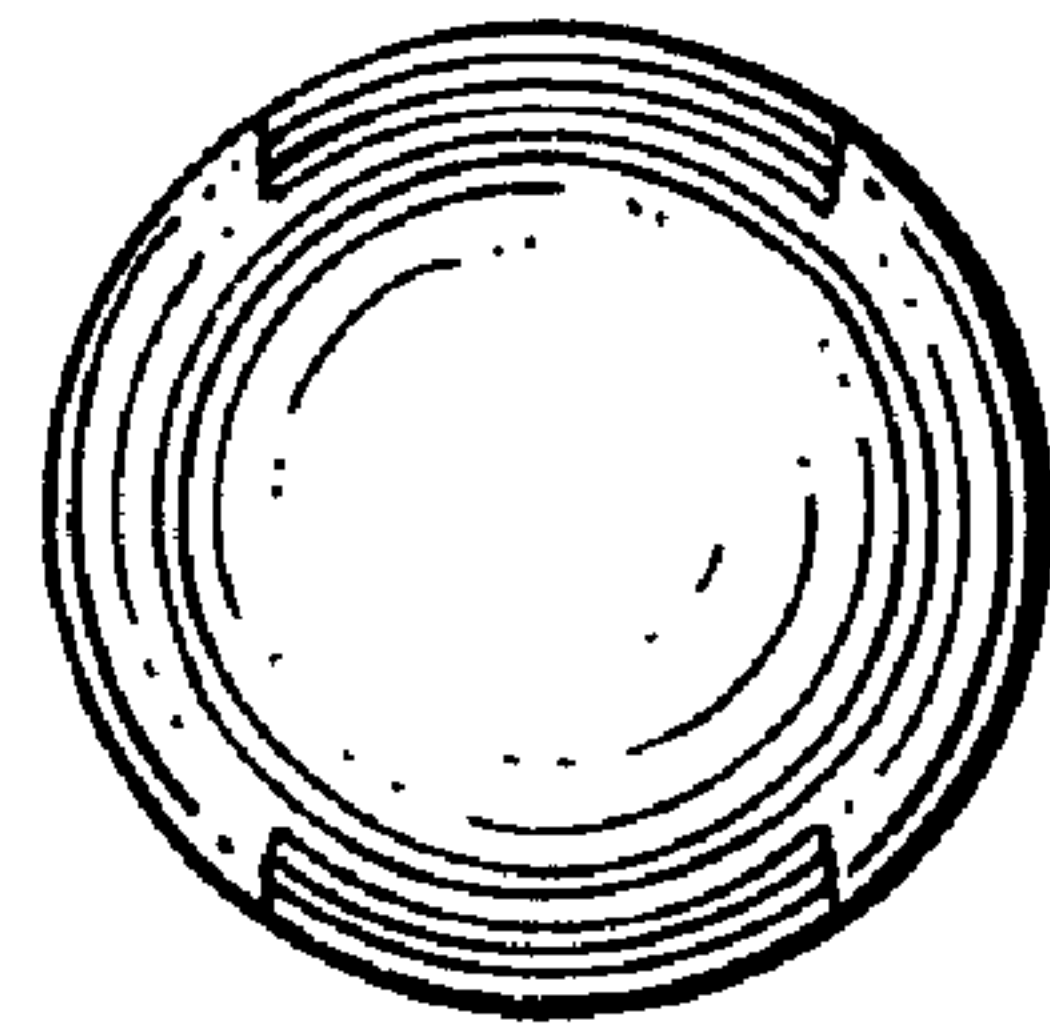


FIG. 5