



US00D618978S

(12) **United States Design Patent**  
**Nolle**

(10) **Patent No.:** **US D618,978 S**

(45) **Date of Patent:** **\*\* Jul. 6, 2010**

(54) **PRY TOOL**

(76) Inventor: **Jon S. Nolle**, 56 Jeziarski La.,  
Thompson, CT (US) 06277

(\*\*) Term: **14 Years**

(21) Appl. No.: **29/312,457**

(22) Filed: **Oct. 21, 2008**

(51) **LOC (9) Cl.** ..... **08-05**

(52) **U.S. Cl.** ..... **D8/89**

(58) **Field of Classification Search** ..... D8/88,  
D8/89, 14; 7/166; 254/12, 25, 113, 120,  
254/131

See application file for complete search history.

(56) **References Cited**

**U.S. PATENT DOCUMENTS**

3,049,337	A *	8/1962	Griggs	.....	254/131
D211,755	S *	7/1968	Yeager	.....	D8/89
D214,968	S *	8/1969	Isley	.....	D8/89
4,039,140	A *	8/1977	Pulliam	.....	254/25
5,165,659	A *	11/1992	L'Heureux	.....	254/17
D378,187	S *	2/1997	Eddie	.....	D8/88

D532,273	S *	11/2006	Yoson	.....	D8/88
7,338,032	B2 *	3/2008	Sykes, Jr.	.....	254/25
D593,837	S *	6/2009	Lindskog	.....	D8/89

\* cited by examiner

*Primary Examiner*—Philip S Hyder

*Assistant Examiner*—Roselynn Cody

(74) *Attorney, Agent, or Firm*—Blodgett & Blodgett, P.C.;

Gerry A. Blodgett

(57) **CLAIM**

I claim the ornamental design for pry tool, as shown and described.

**DESCRIPTION**

FIG. 1 is a front elevation view of the pry tool showing my new design;

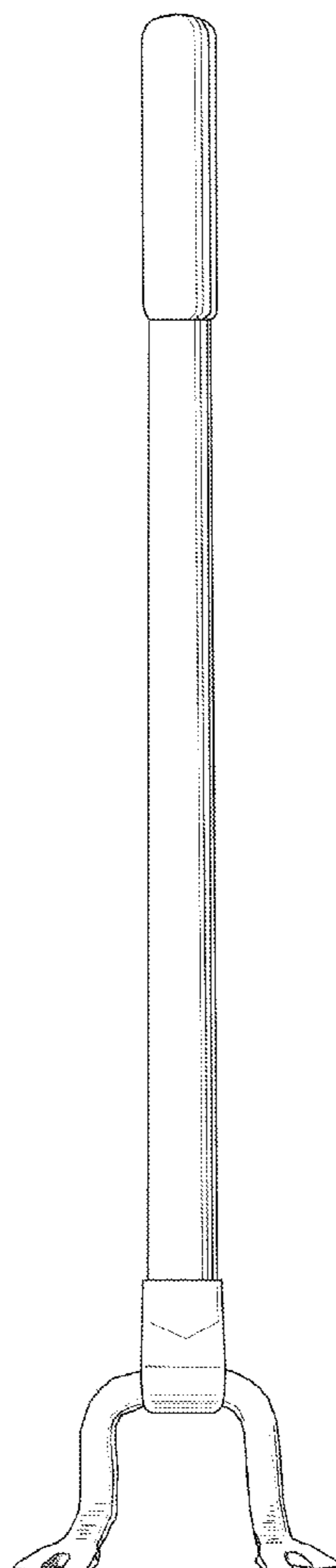
FIG. 2 is a rear elevation view thereof;

FIG. 3 is a right side view thereof, left side view being the mirror image, thereof;

FIG. 4 is a top view thereof; and,

FIG. 5 is a bottom view thereof.

**1 Claim, 2 Drawing Sheets**



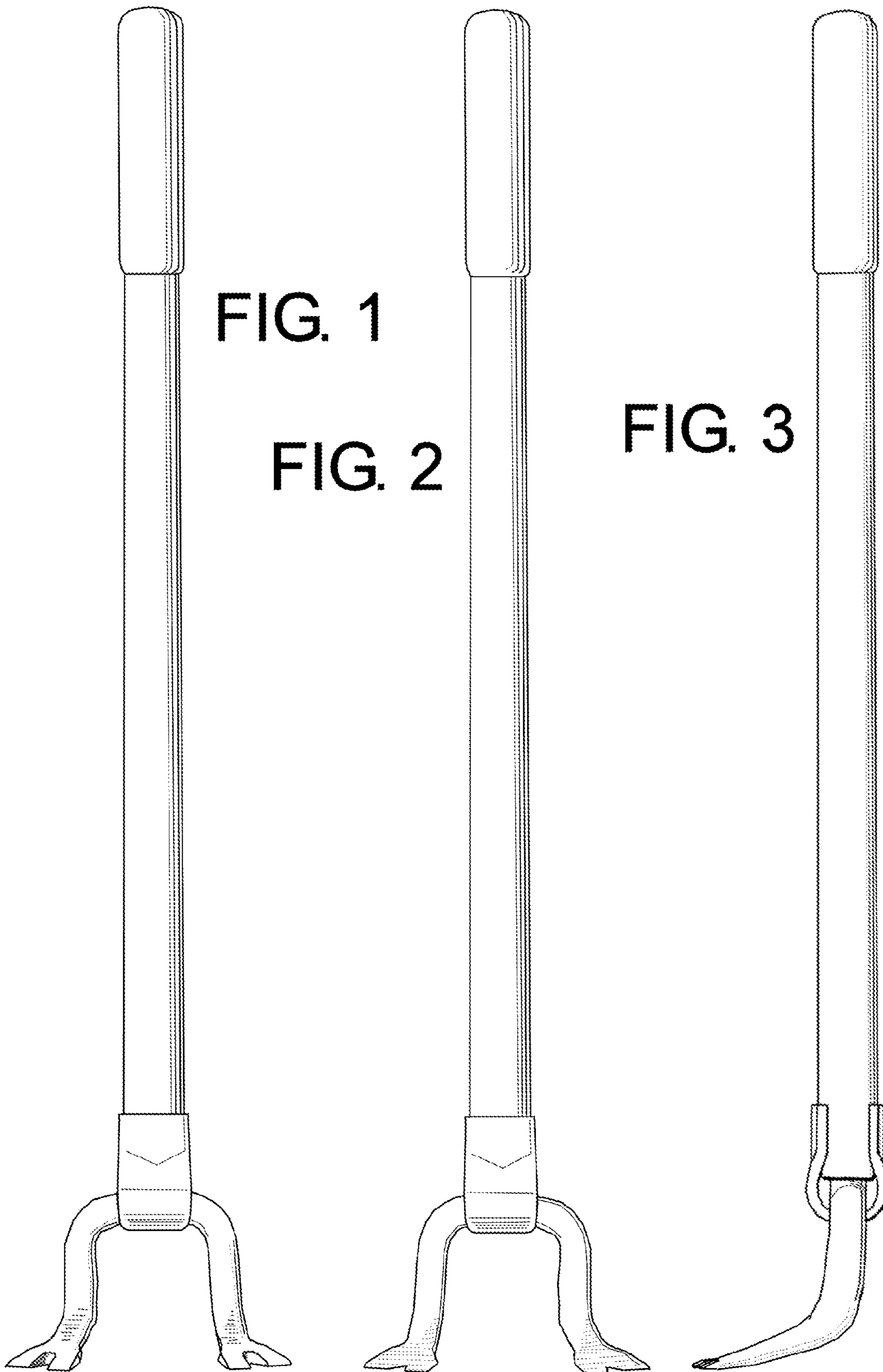


FIG. 1

FIG. 2

FIG. 3

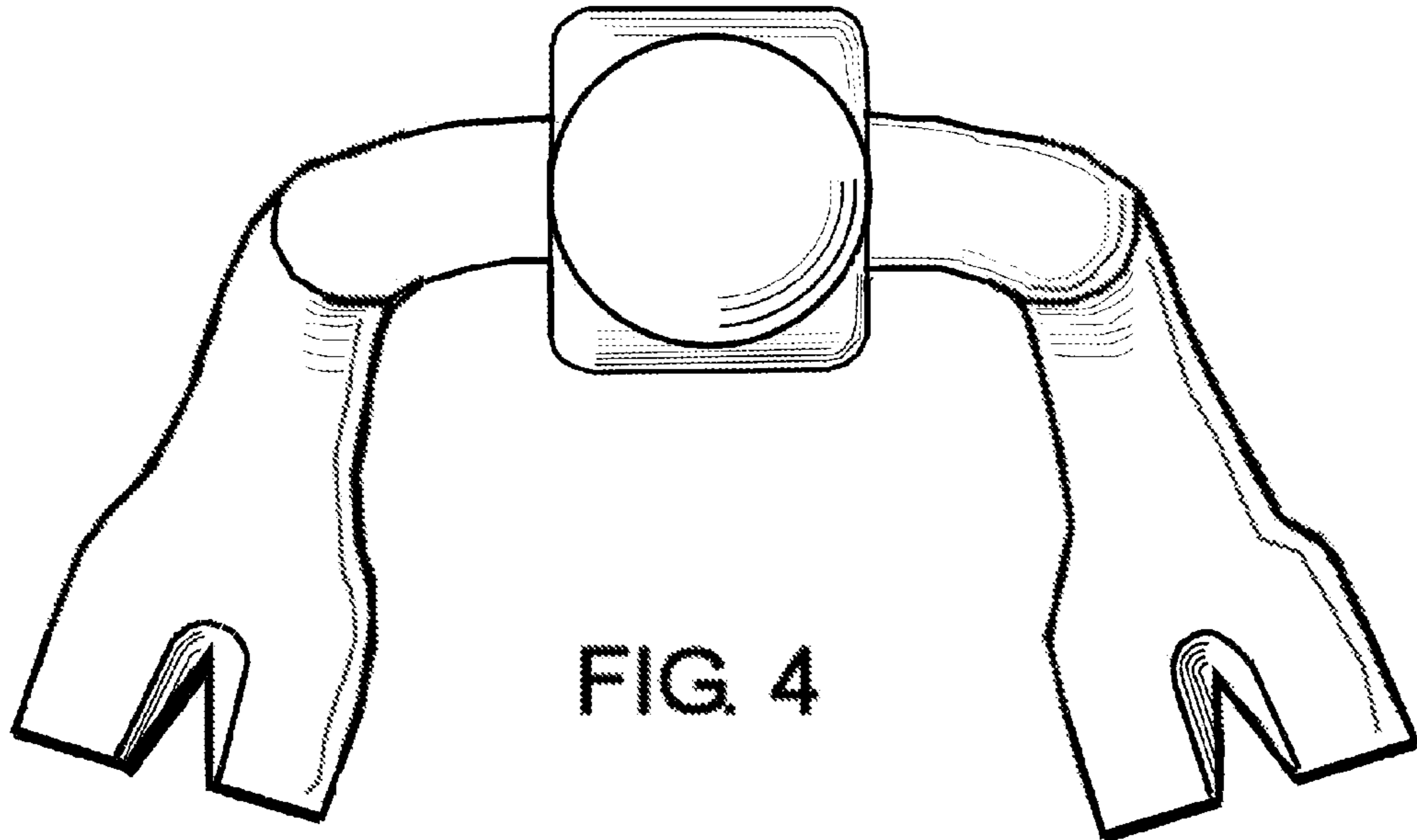


FIG. 4

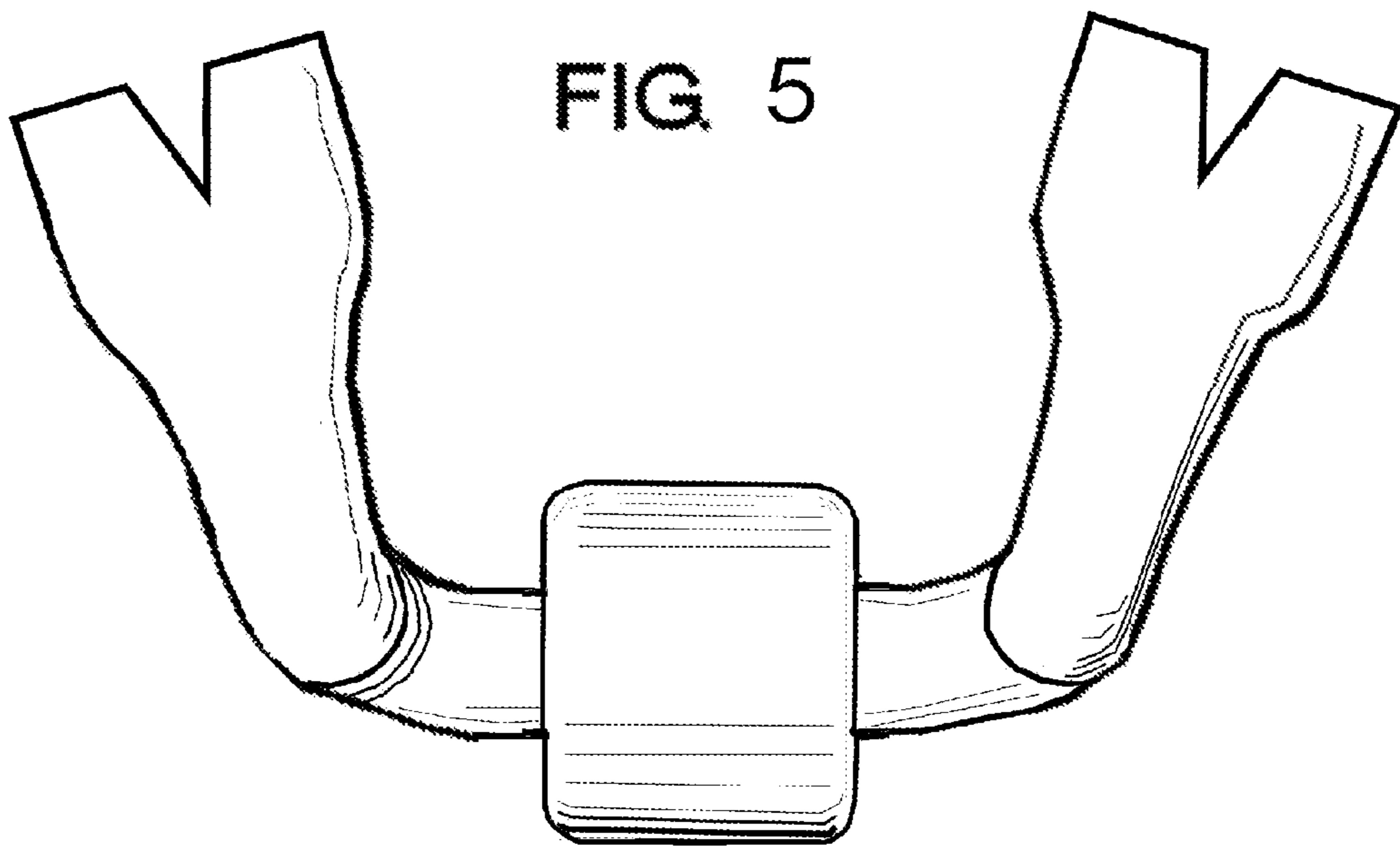


FIG. 5