



US00D618976S

(12) **United States Design Patent**
Taniguchi et al.

(10) **Patent No.:** **US D618,976 S**

(45) **Date of Patent:** **** Jul. 6, 2010**

(54) **NAILING MACHINE**

(75) Inventors: **Takeshi Taniguchi**, Hitachinaka (JP);
Tomoyuki Kawahara, Hitachinaka (JP);
Takashi Mori, Hitachinaka (JP)

(73) Assignee: **Hitachi Koki Co., Ltd.**, Tokyo (JP)

(**) Term: **14 Years**

(21) Appl. No.: **29/342,421**

(22) Filed: **Aug. 25, 2009**

(30) **Foreign Application Priority Data**

Feb. 27, 2009 (JP) 2009-004318

(51) **LOC (9) Cl.** **08-05**

(52) **U.S. Cl.** **D8/69**

(58) **Field of Classification Search** D8/68-69,
D8/70; 81/57.11, 429, 454, 455, 456, 469,
81/489; 173/13, 104, 114, 168, 169-171,
173/178, 201, 211, 213, 217; 408/20, 124,
408/125, 234, 241 R; 451/358; 310/50;
227/113, 114, 120, 130, 136, 142

See application file for complete search history.

(56) **References Cited**

U.S. PATENT DOCUMENTS

5,842,625 A * 12/1998 Kimura 227/127

D512,622 S * 12/2005 Thomas D8/69
D520,839 S * 5/2006 Miwa D8/69
D556,003 S * 11/2007 Buck D8/69
7,484,647 B2 * 2/2009 Yang 227/8
D591,132 S * 4/2009 Fischer-Zernin D8/69
D606,378 S * 12/2009 Okuda et al. D8/69
2006/0213945 A1 * 9/2006 Ke 227/8

* cited by examiner

Primary Examiner—Antoine D Davis

(74) *Attorney, Agent, or Firm*—Sughrue Mion, PLLC

(57) **CLAIM**

The ornamental design for a nailing machine, as shown and described.

DESCRIPTION

FIG. 1 is a front perspective view of the nailing machine according to the present invention;

FIG. 2 is a left side elevational view thereof;

FIG. 3 is a right side elevational view thereof;

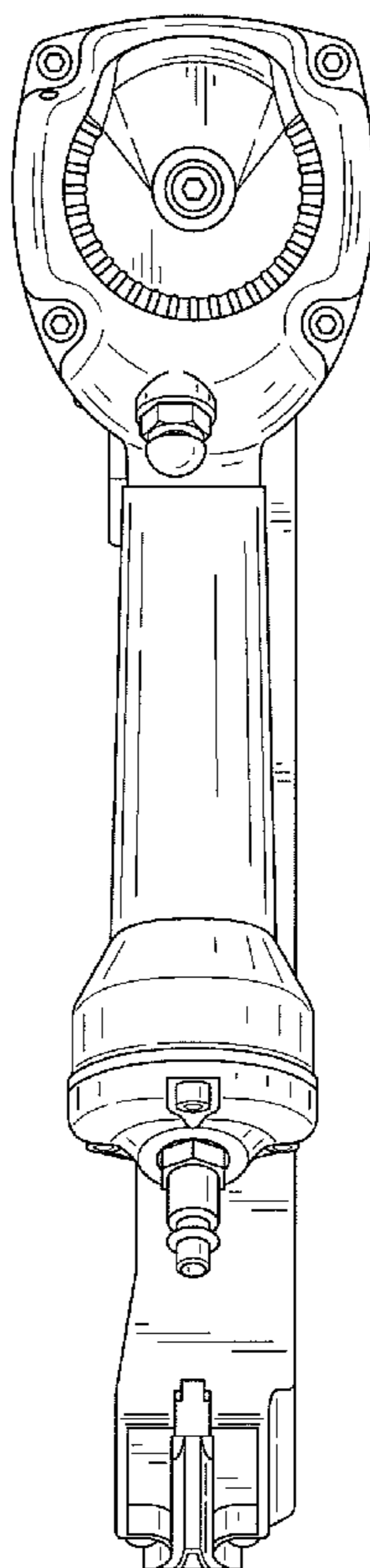
FIG. 4 is a top plan view thereof;

FIG. 5 is a bottom plan view thereof;

FIG. 6 is a front elevational view thereof; and,

FIG. 7 is a rear elevational view thereof.

1 Claim, 5 Drawing Sheets



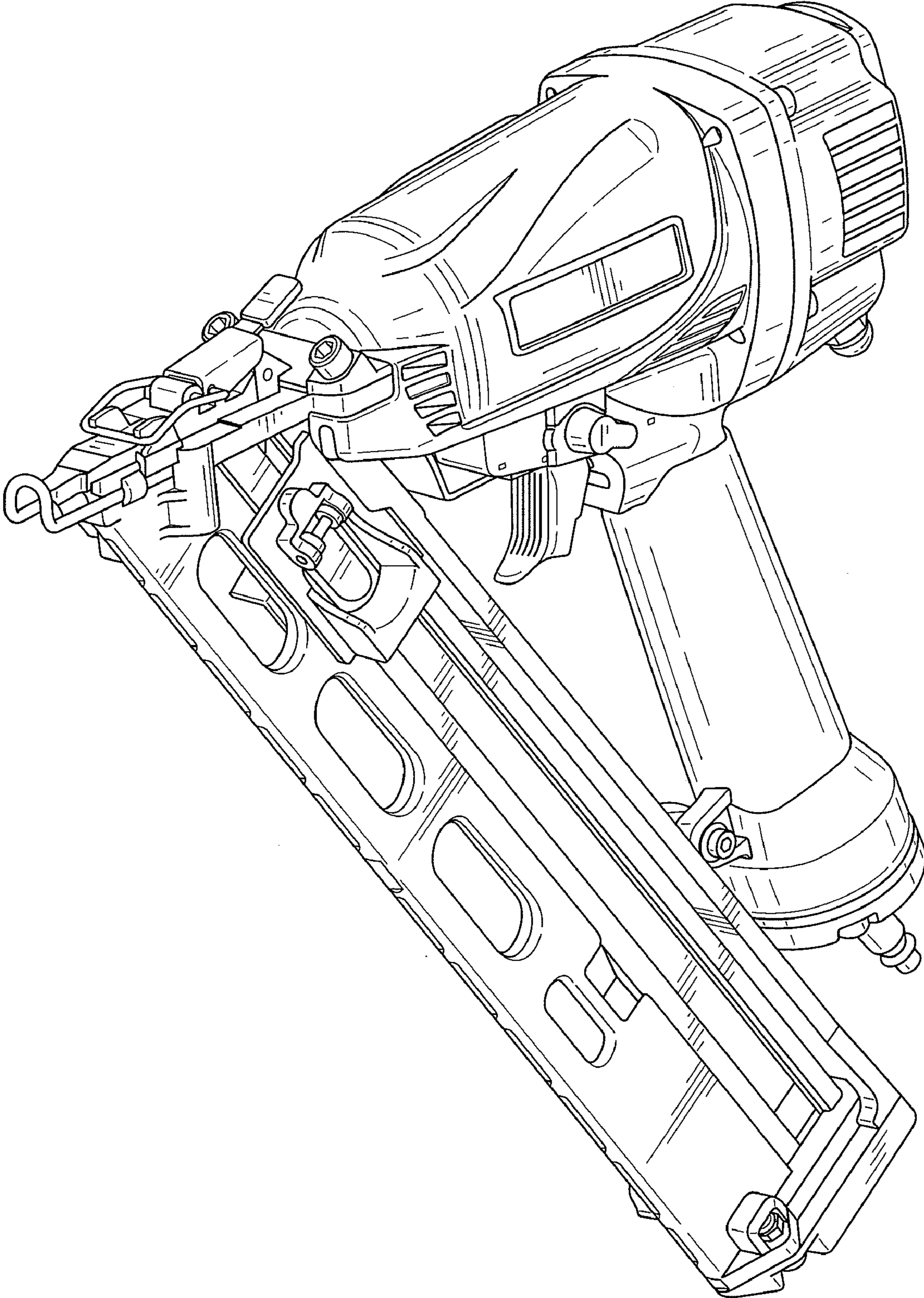


FIG. 1

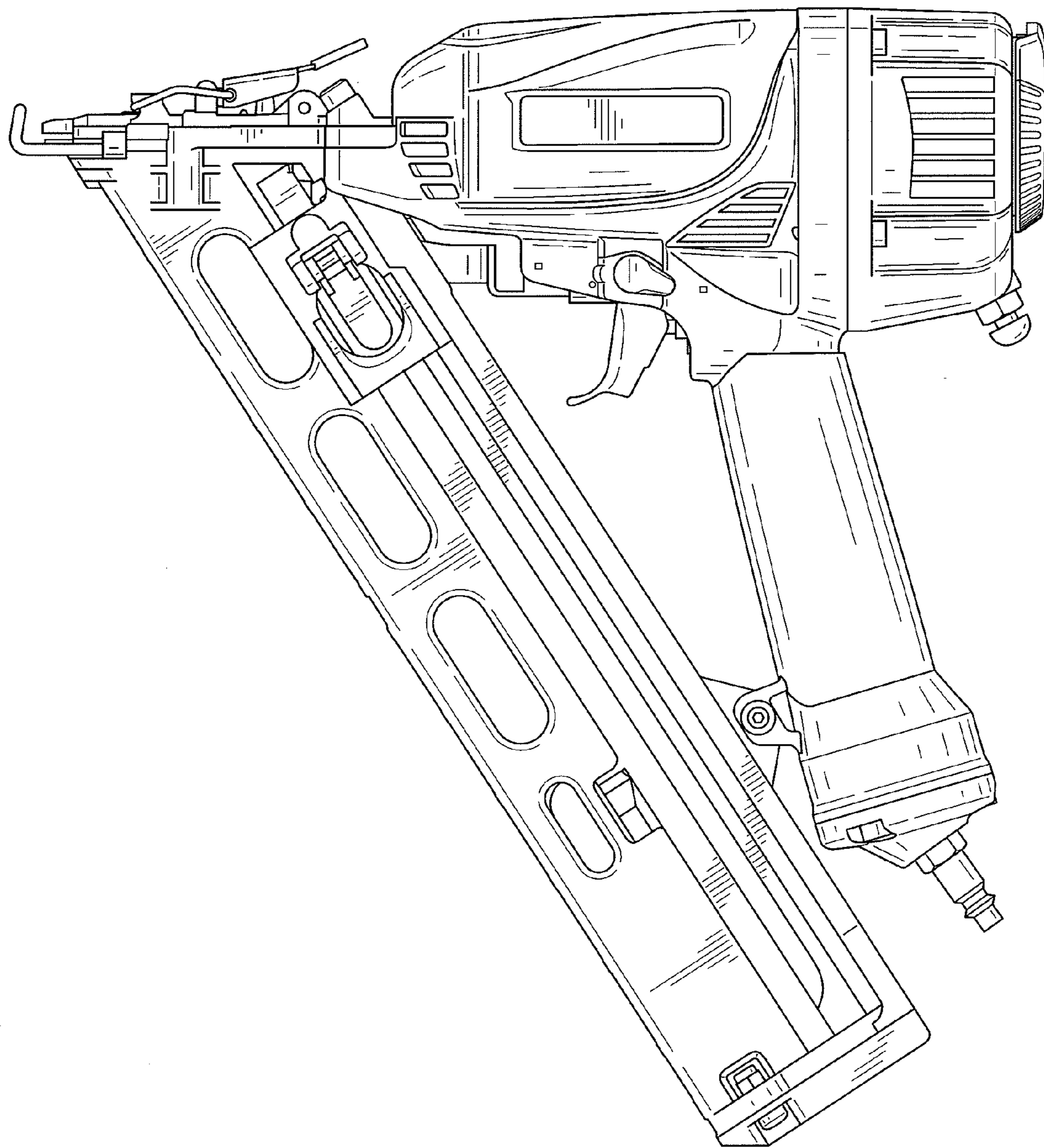


FIG. 2

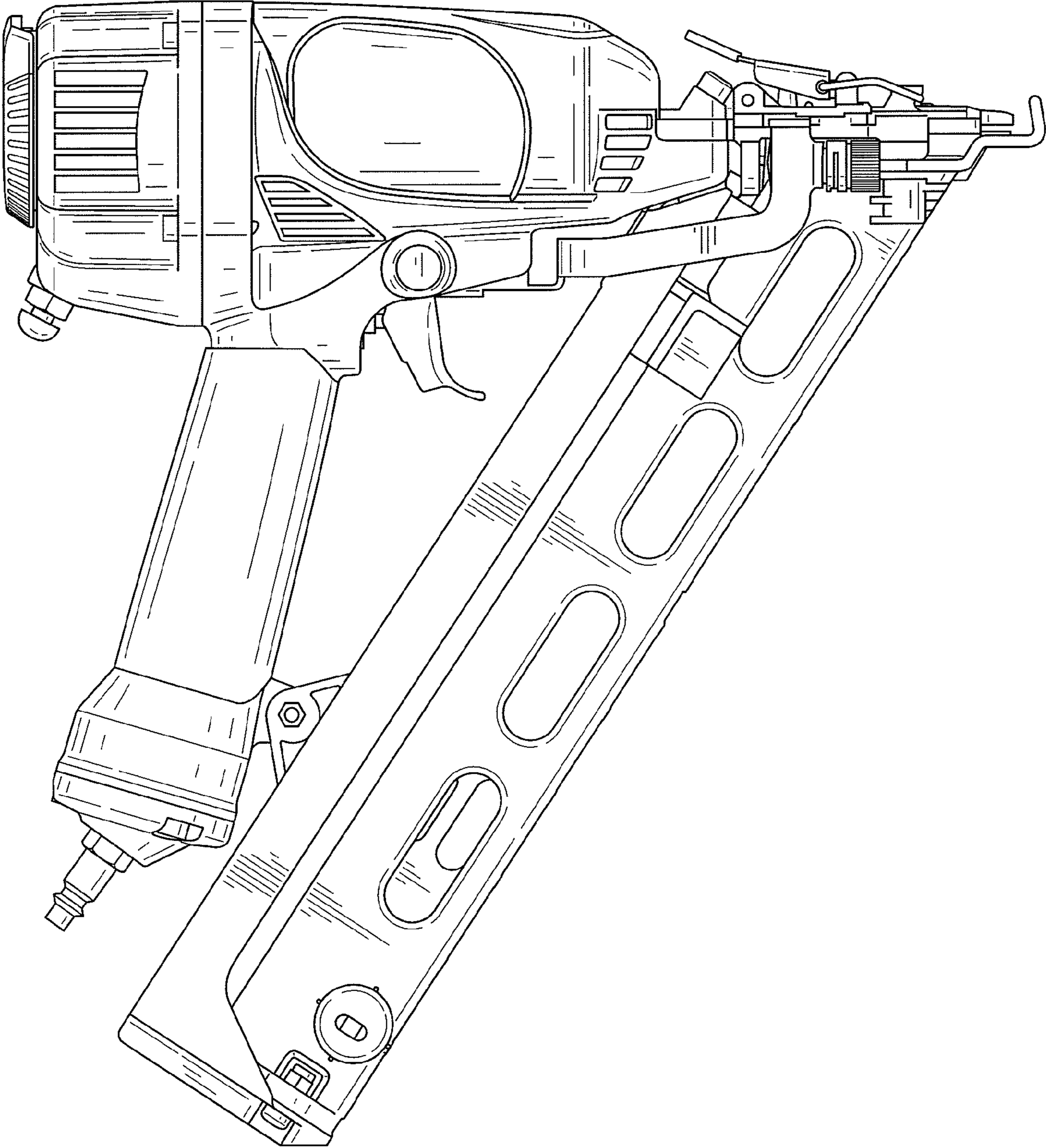


FIG. 3

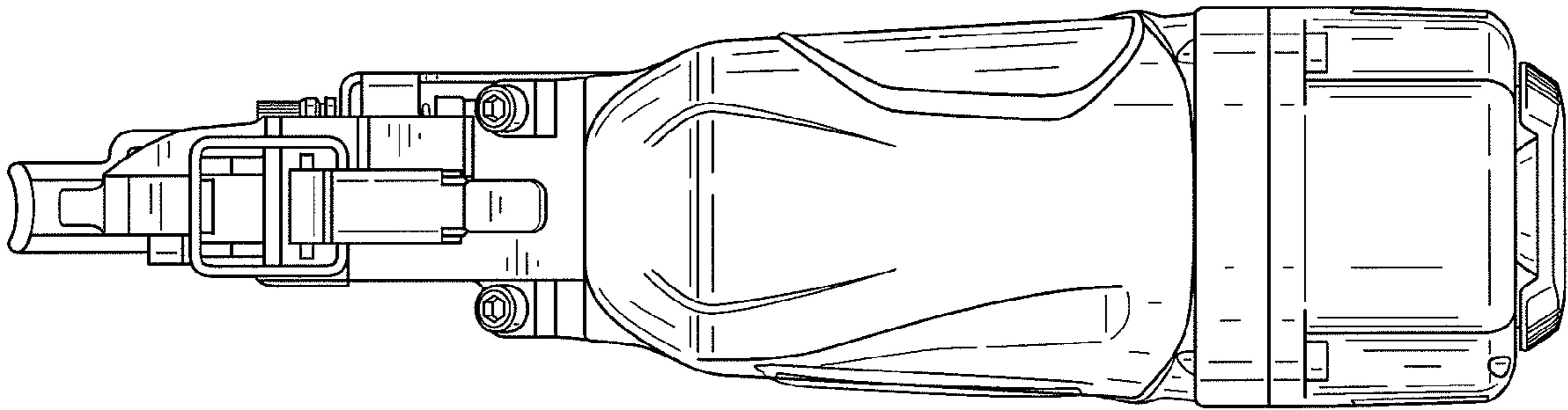


FIG. 4

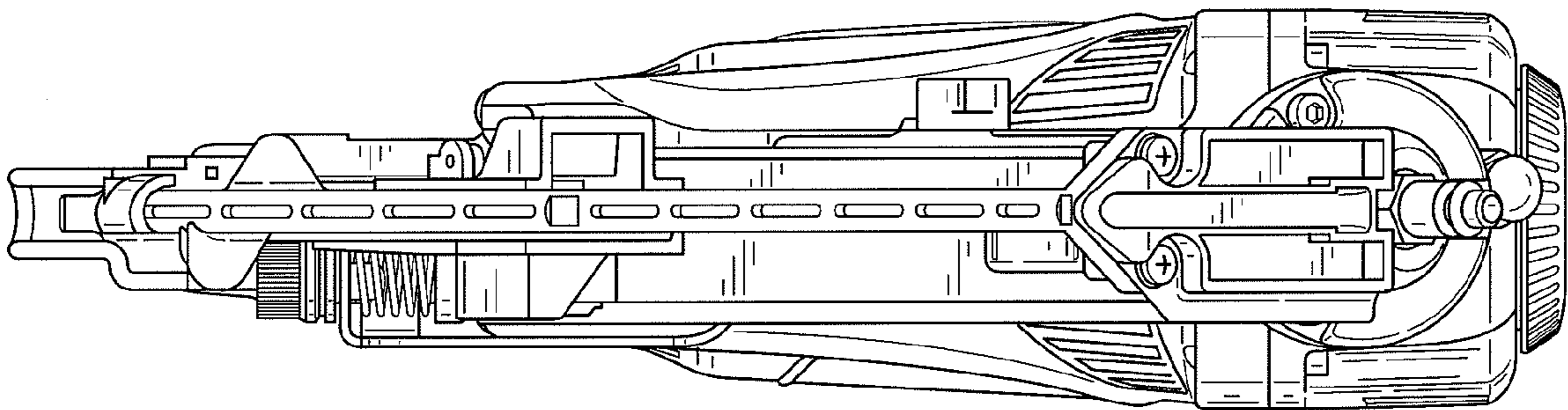


FIG. 5

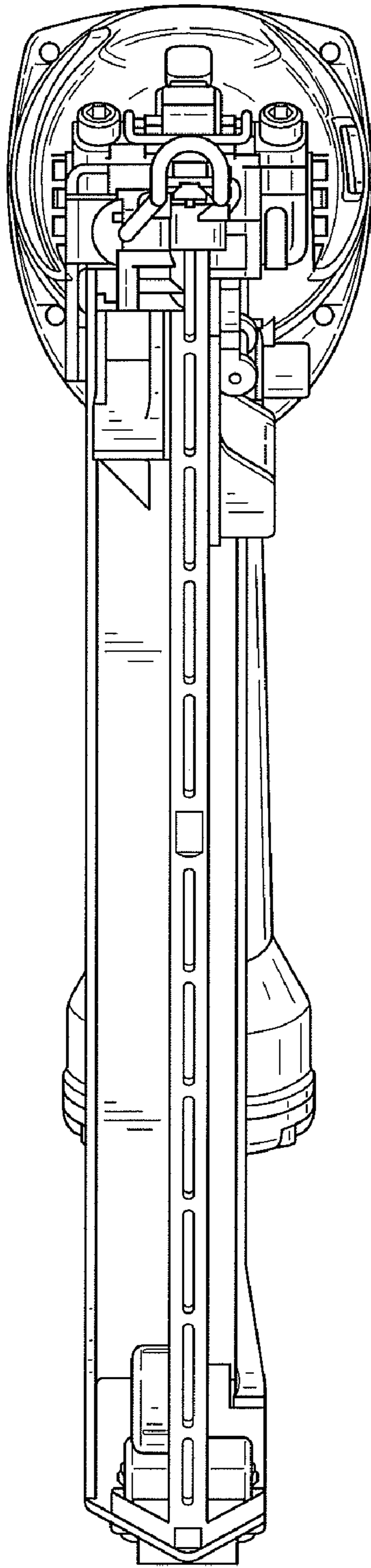


FIG. 6

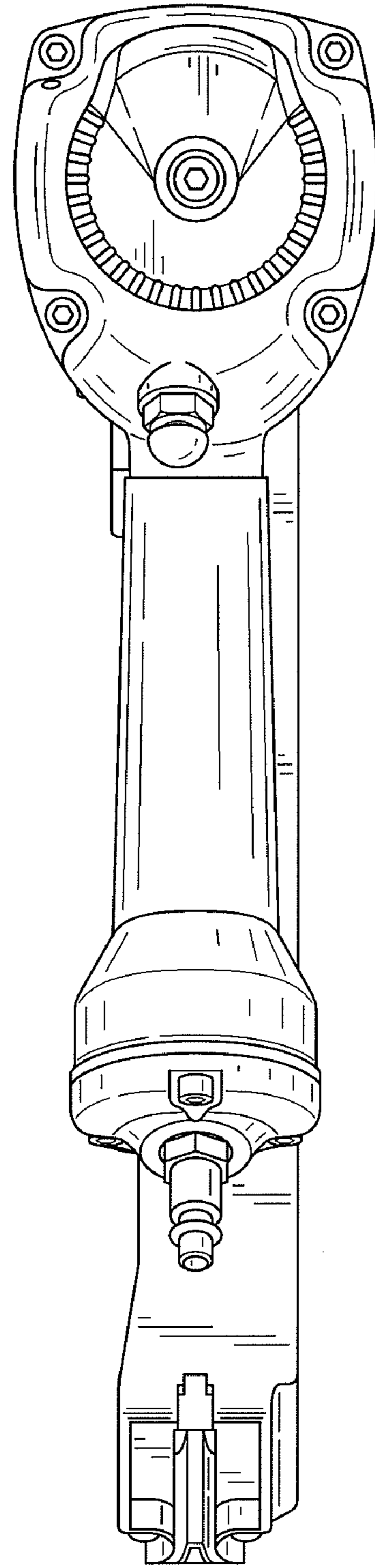


FIG. 7