



US00D618975S

(12) **United States Design Patent**
Yamamoto

(10) **Patent No.:** **US D618,975 S**
(45) **Date of Patent:** **** Jul. 6, 2010**

(54) **PORTABLE ELECTRIC DRILL**

FOREIGN PATENT DOCUMENTS

(75) Inventor: **Yuji Yamamoto**, Anjo (JP)
(73) Assignee: **Makita Corporation**, Anjo-shi (JP)
(**) Term: **14 Years**

JP S-D1337487 8/2008
JP S-D1337746 8/2008

* cited by examiner

Primary Examiner—Antoine D Davis
(74) *Attorney, Agent, or Firm*—Oliff & Berridge, PLC

(21) Appl. No.: **29/339,813**
(22) Filed: **Jul. 8, 2009**

(57) **CLAIM**

The ornamental design for a portable electric drill, as shown and described.

(30) **Foreign Application Priority Data**

DESCRIPTION

Jan. 9, 2009 (JP) 2009-00325
Jan. 9, 2009 (JP) 2009-00326

FIG. 1 is a perspective view of a portable electric drill showing our new design;

(51) **LOC (9) Cl.** **08-04**

(52) **U.S. Cl.** **D8/68**

(58) **Field of Classification Search** D8/61-70;
81/57.11, 429, 454-456, 469, 489; 173/13,
173/46, 104, 114, 167-173, 178, 201, 211,
173/213, 214, 217, 198; 227/8, 113, 114,
227/120, 130, 136, 142; 310/50; 408/20,
408/35, 117, 124, 125, 234, 241 R, 58, 67;
451/358; 7/158, 165

FIG. 2 is a front elevation view thereof;

FIG. 3 is a rear elevation view thereof;

FIG. 4 is a left side elevation view thereof;

FIG. 5 is a right side elevation view thereof;

FIG. 6 is a top plan view thereof; and

FIG. 7 is a bottom plan view thereof;

FIG. 8 is a perspective view of a second embodiment of the portable electric drill shown in FIG. 1;

FIG. 9 is a front elevation view thereof;

FIG. 10 is a rear elevation view thereof;

FIG. 11 is a left side elevation view thereof;

FIG. 12 is a right side elevation view thereof;

FIG. 13 is a top plan view thereof; and,

FIG. 14 is a bottom plan view thereof.

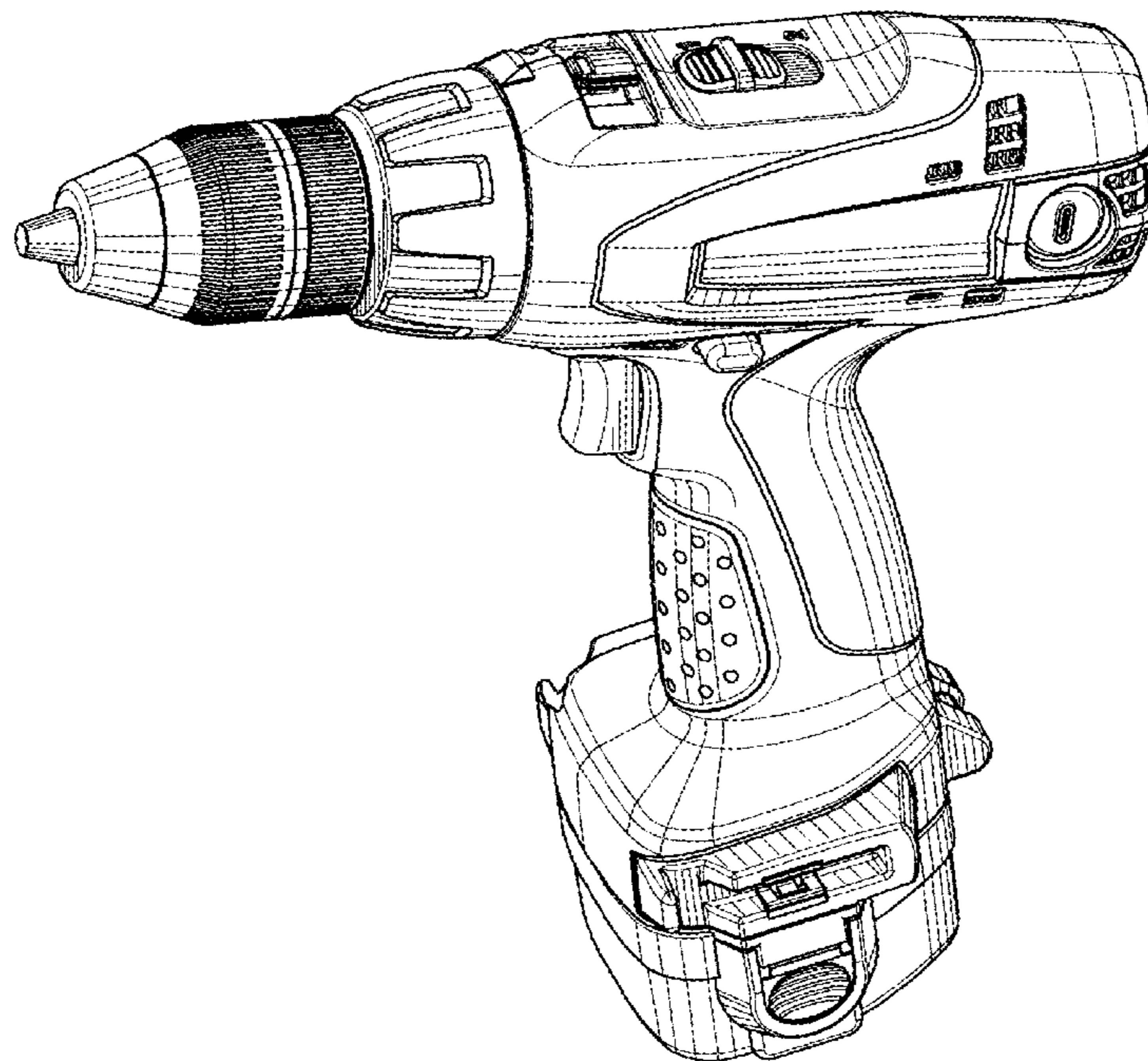
See application file for complete search history.

(56) **References Cited**

U.S. PATENT DOCUMENTS

6,308,378 B1 * 10/2001 Mooty et al. 408/124
D506,914 S * 7/2005 Okuda D8/68
7,217,069 B2 * 5/2007 Dils et al. 408/124
D608,173 S * 1/2010 Ng et al. D8/68
2002/0110431 A1 * 8/2002 Dils et al. 408/16
2009/0302554 A1 * 12/2009 Thiel 173/217

1 Claim, 10 Drawing Sheets



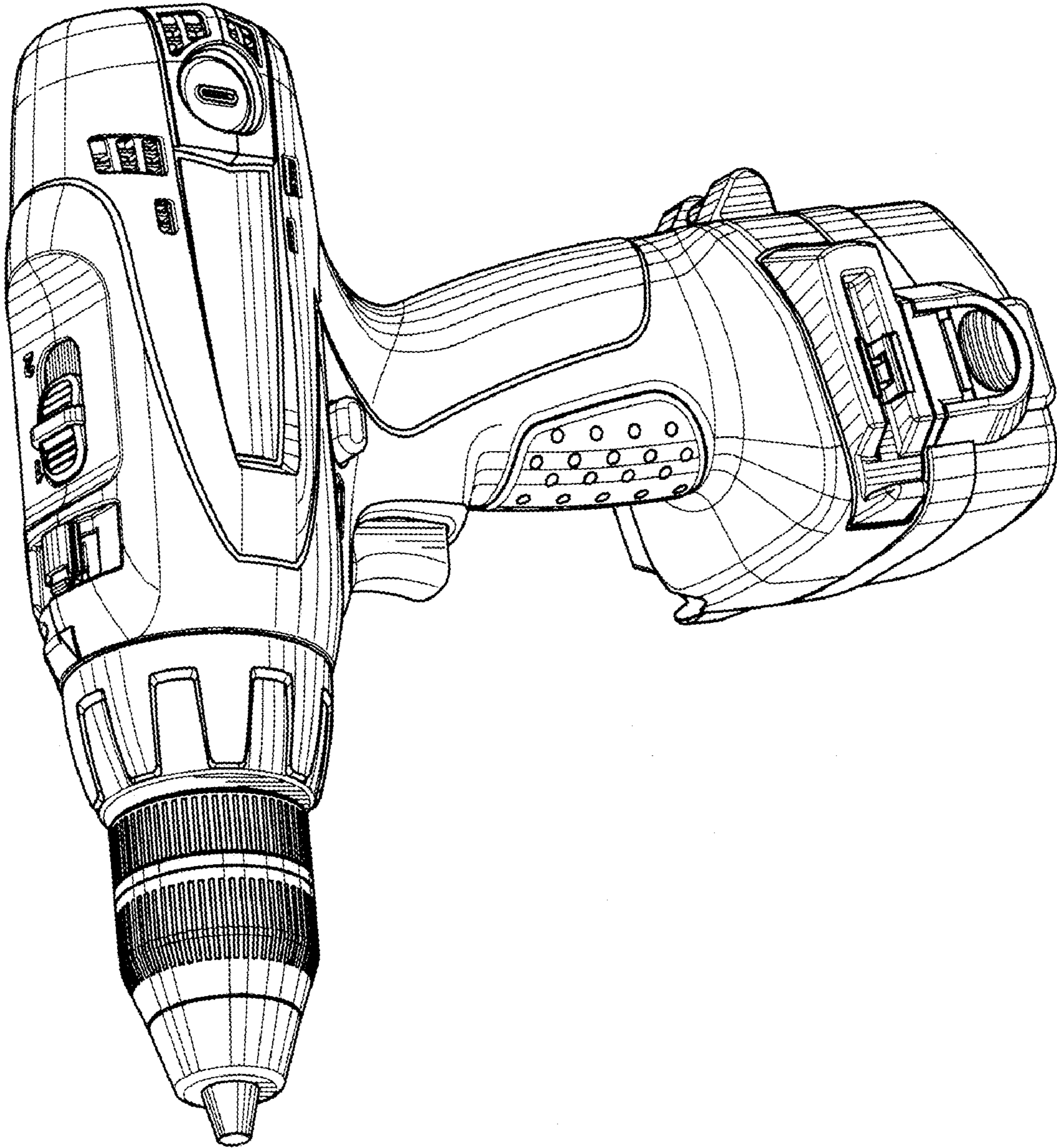


FIG. 1

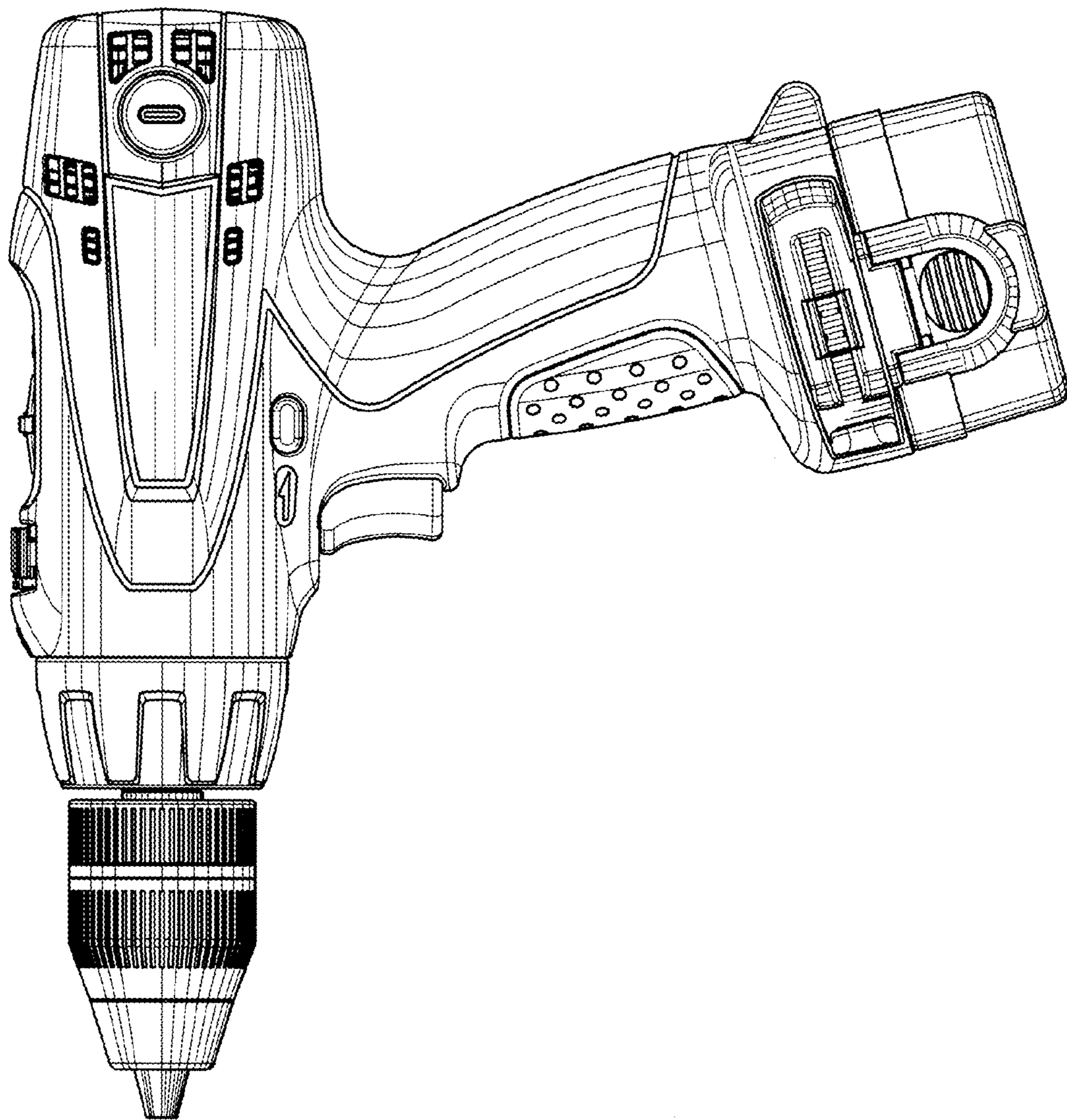


FIG. 2

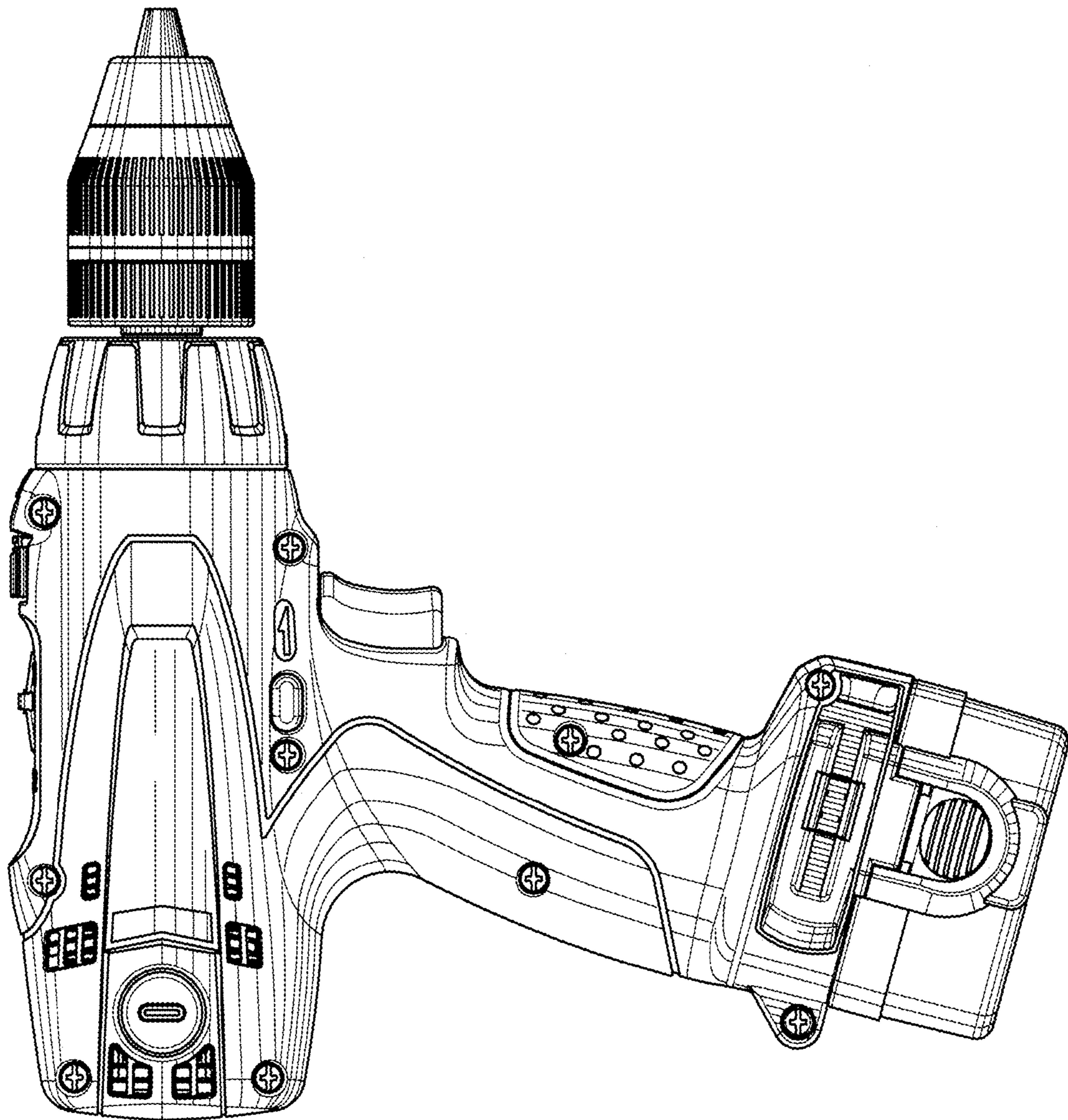


FIG. 3

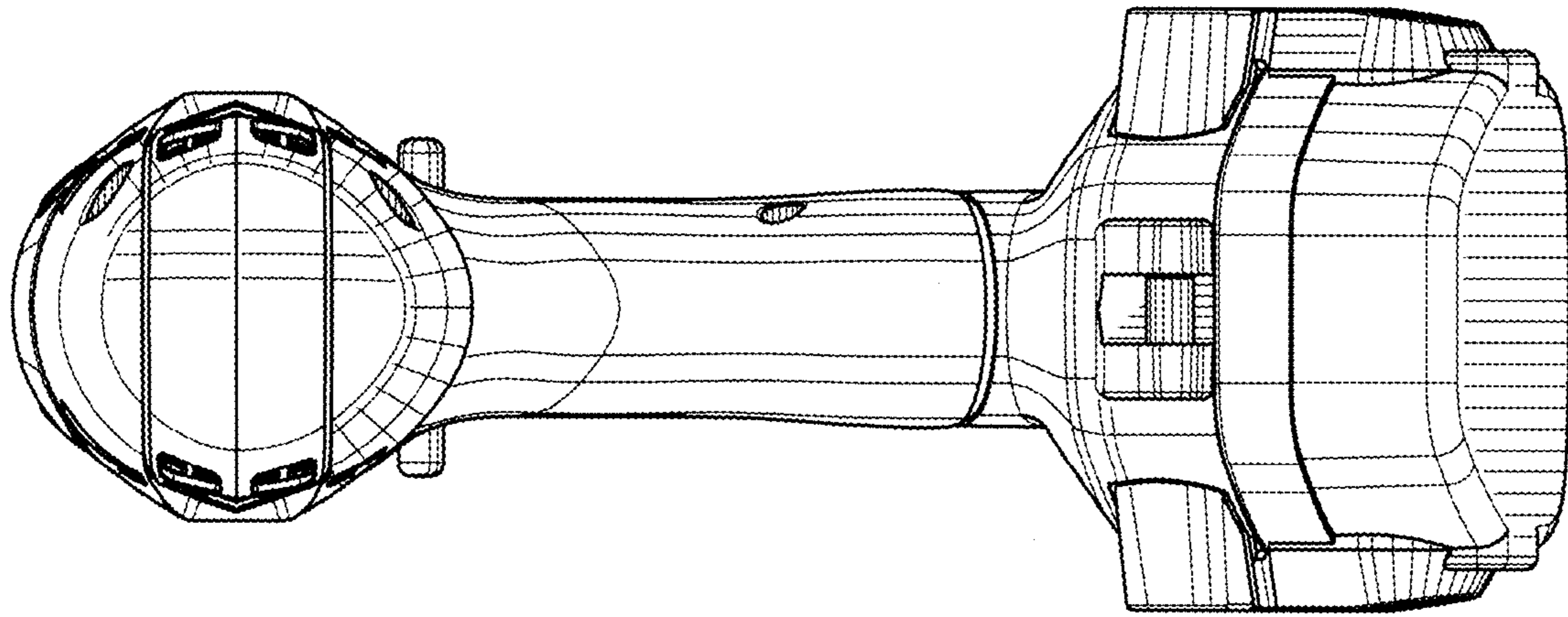


FIG. 5

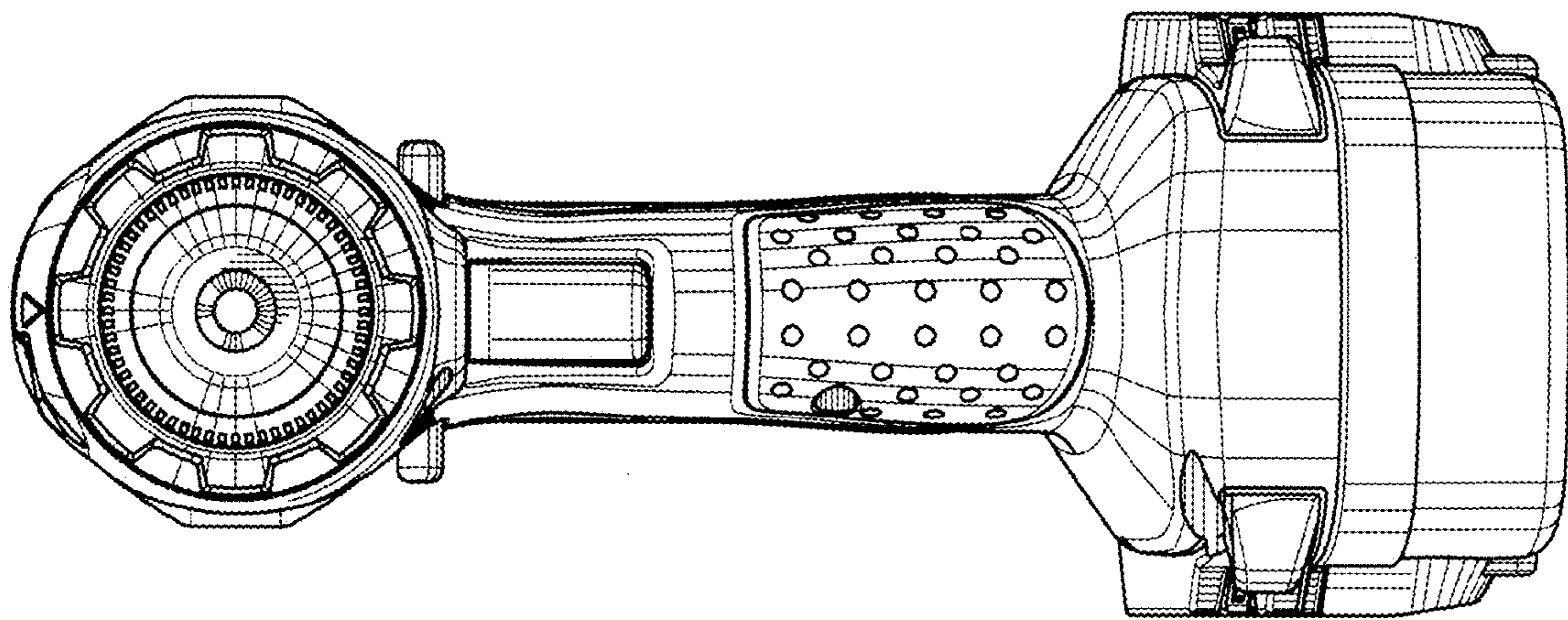


FIG. 4

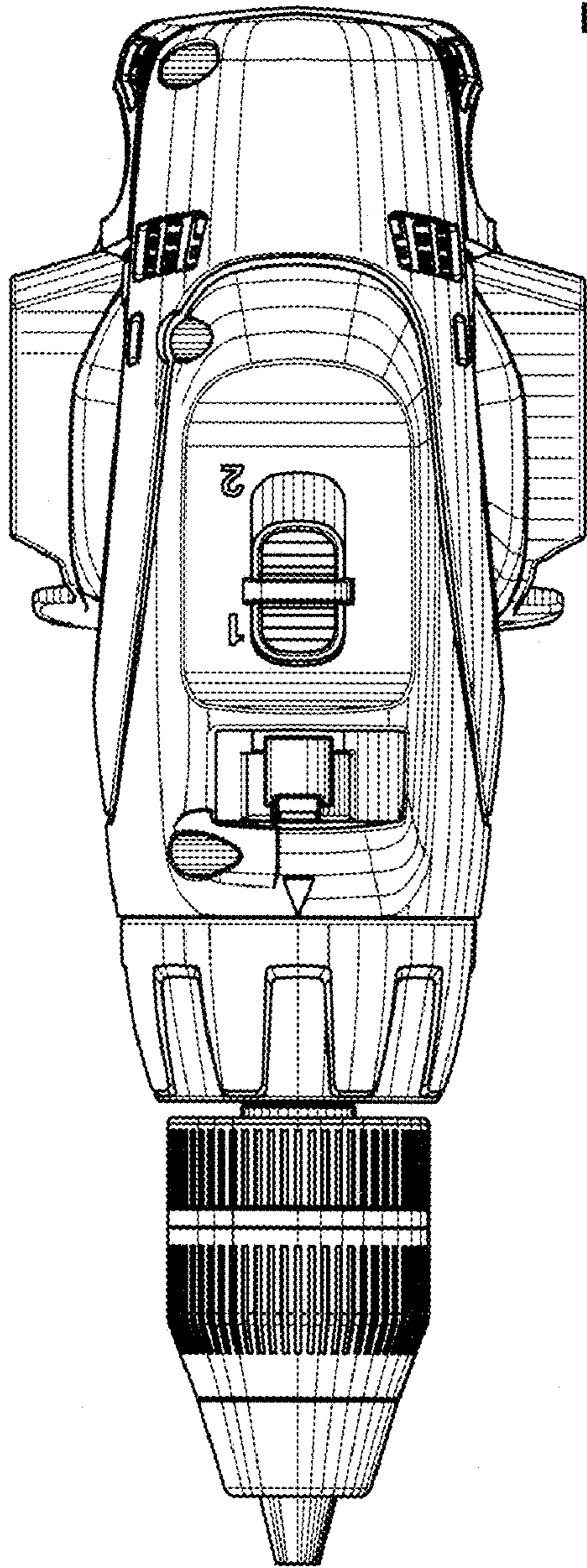


FIG. 6

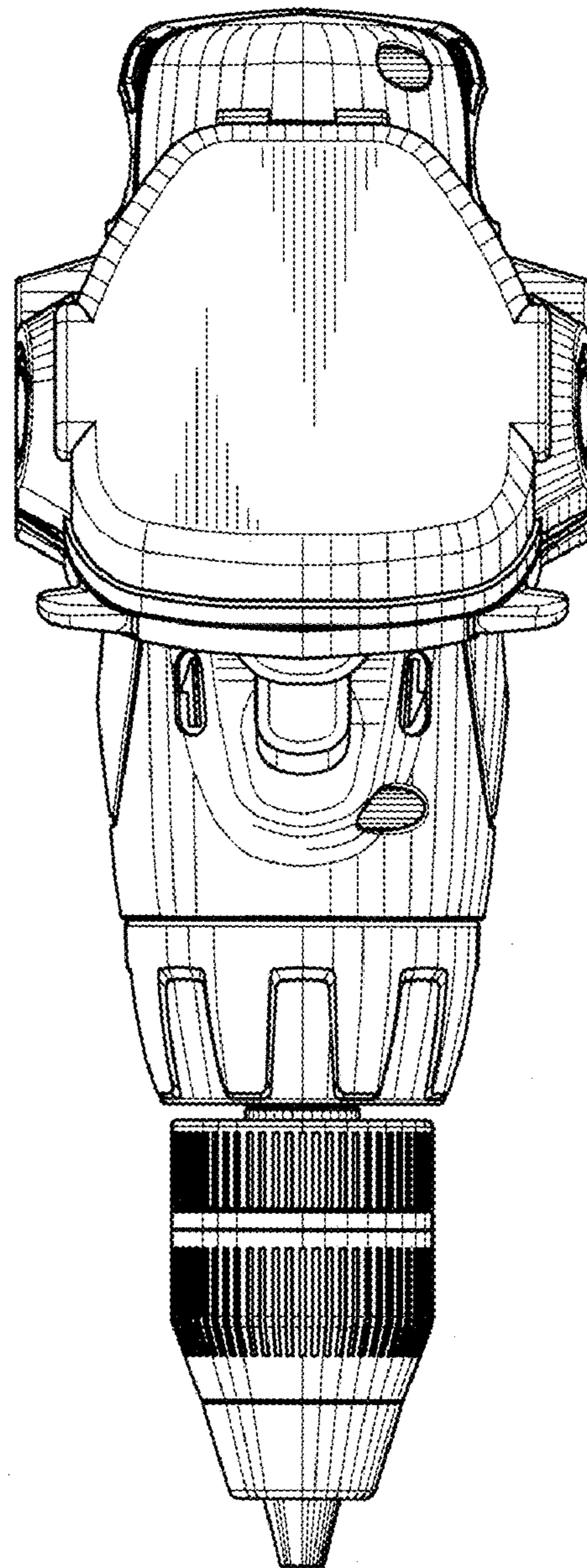


FIG. 7

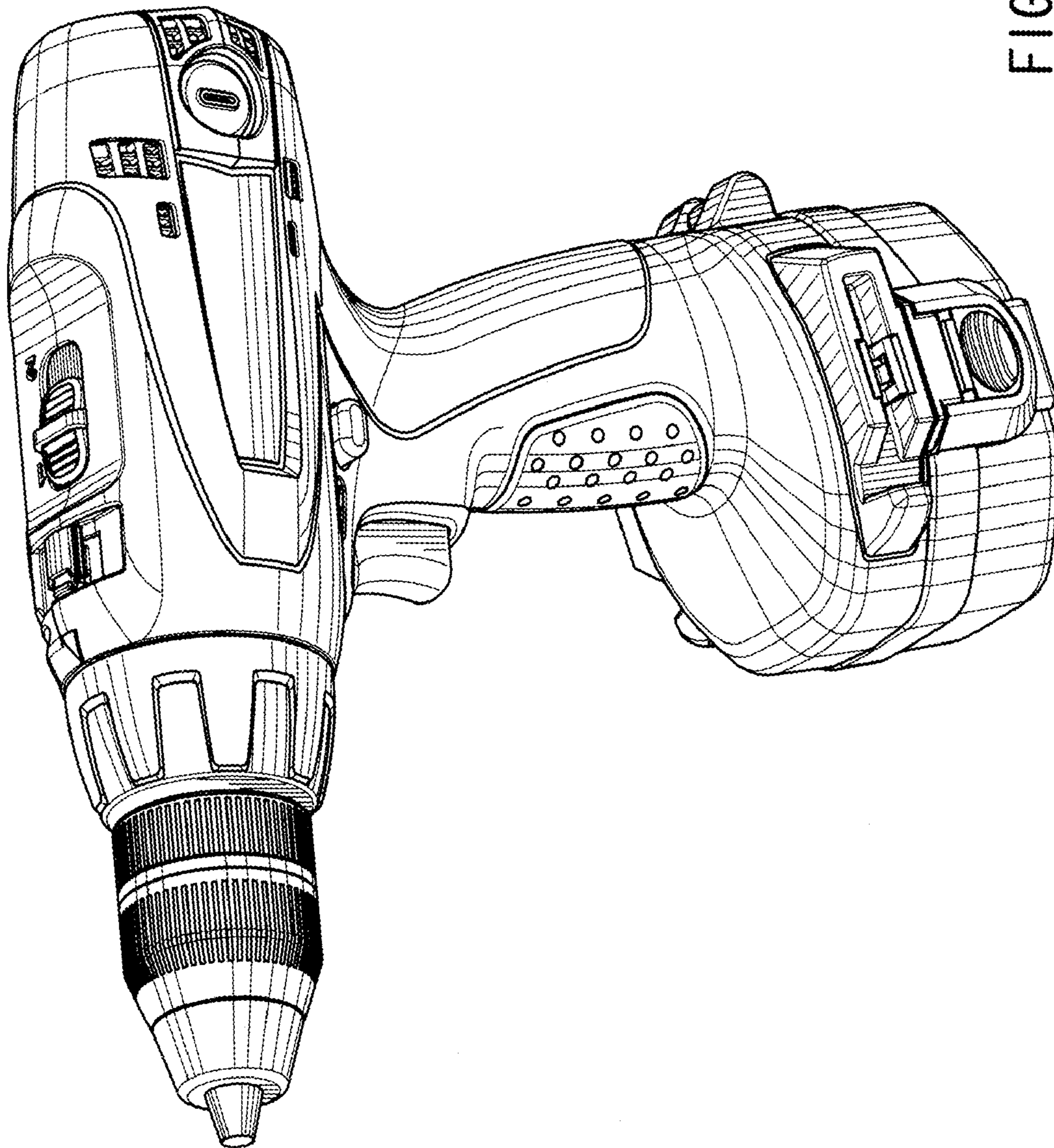


FIG. 8

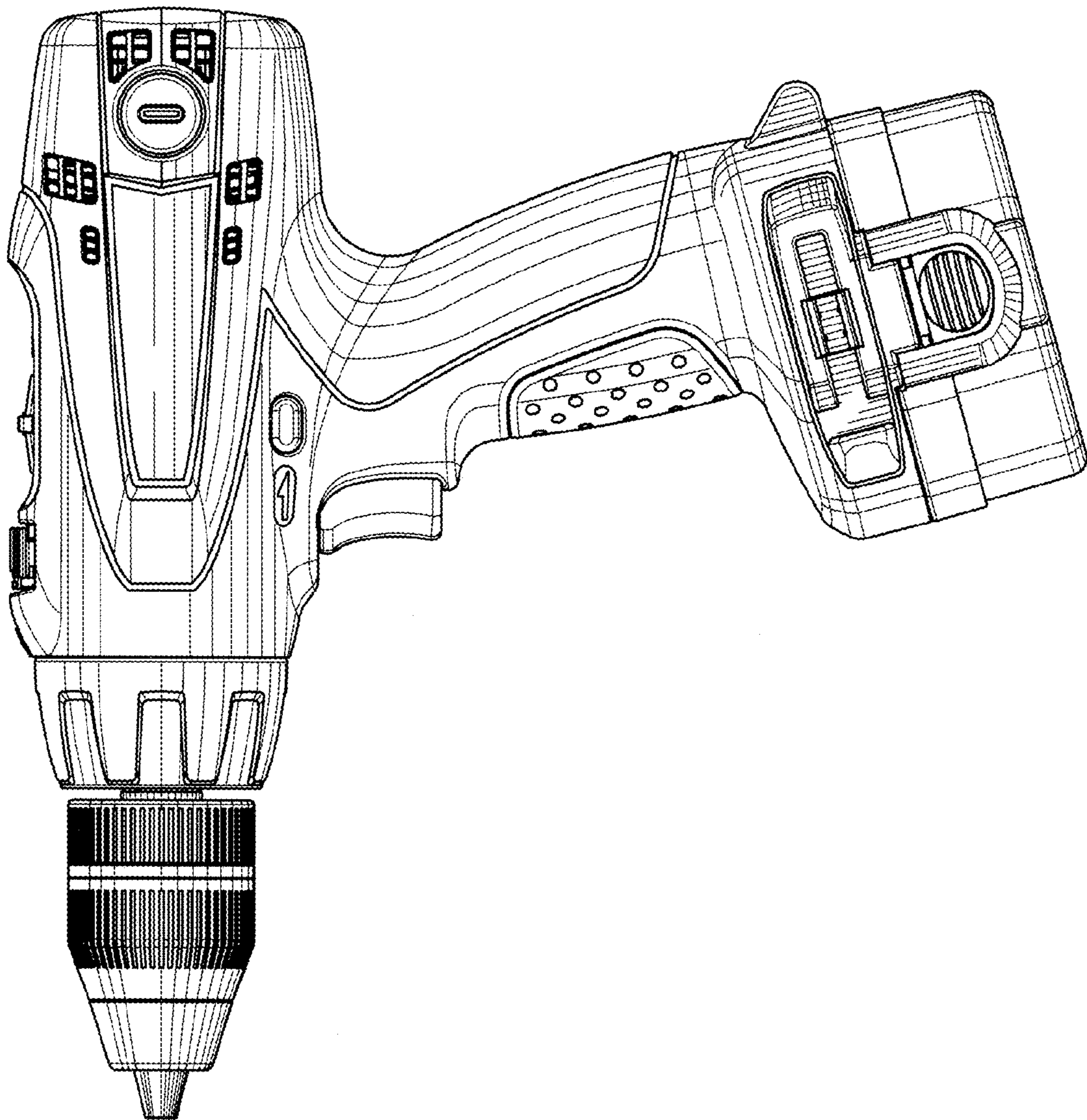


FIG. 9

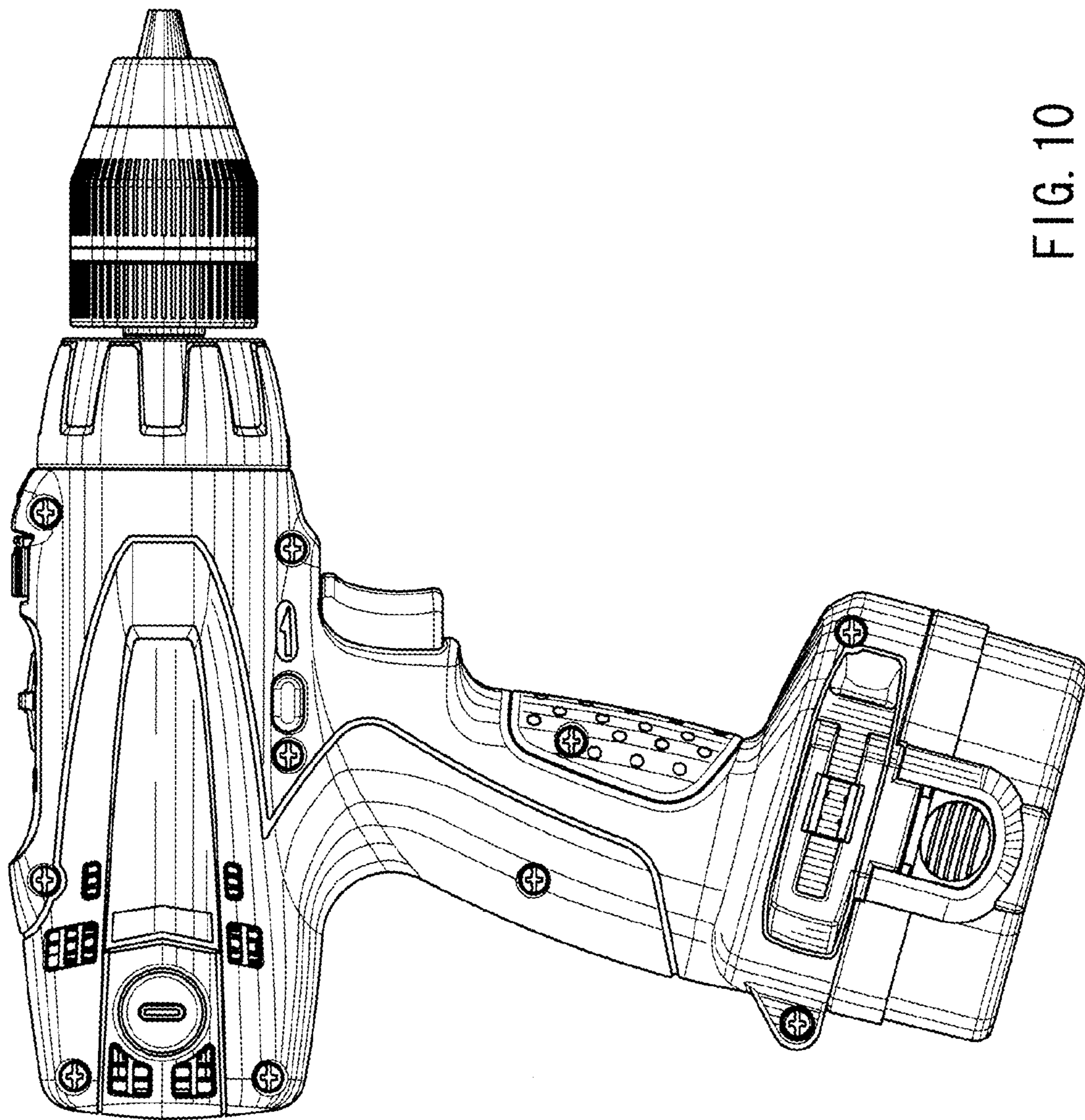


FIG. 10

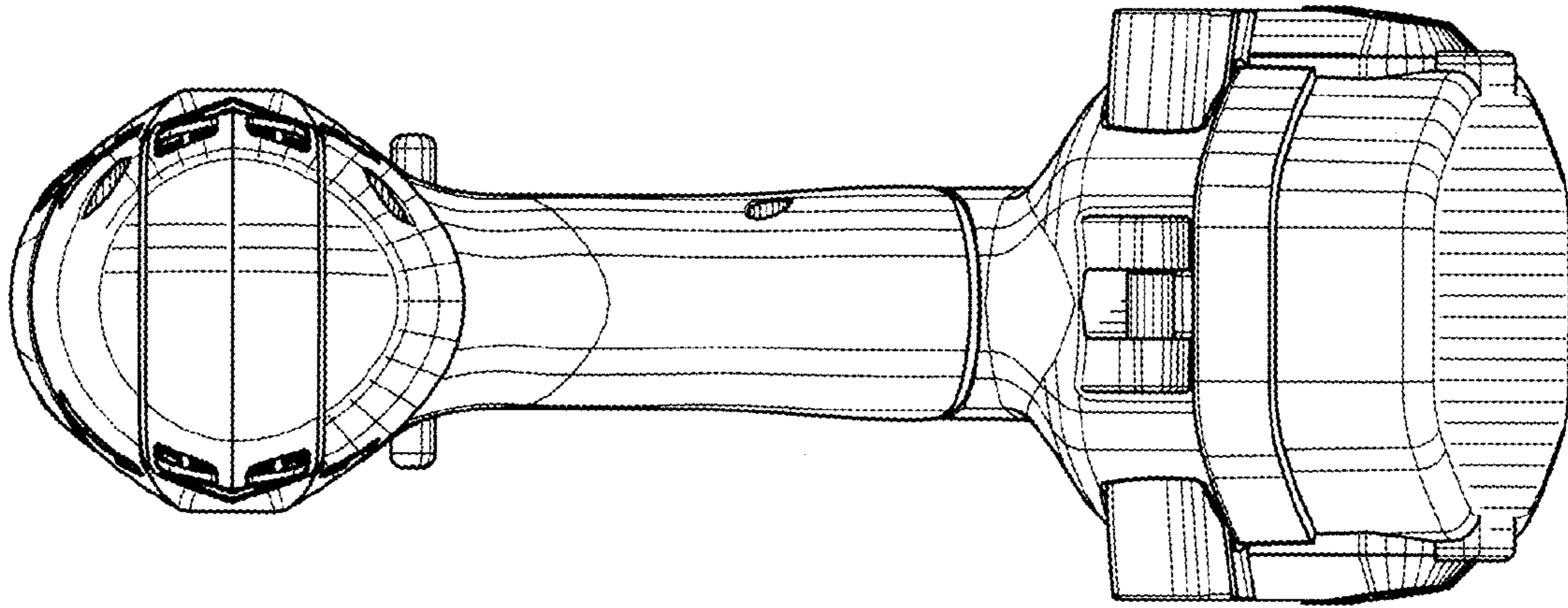


FIG. 12

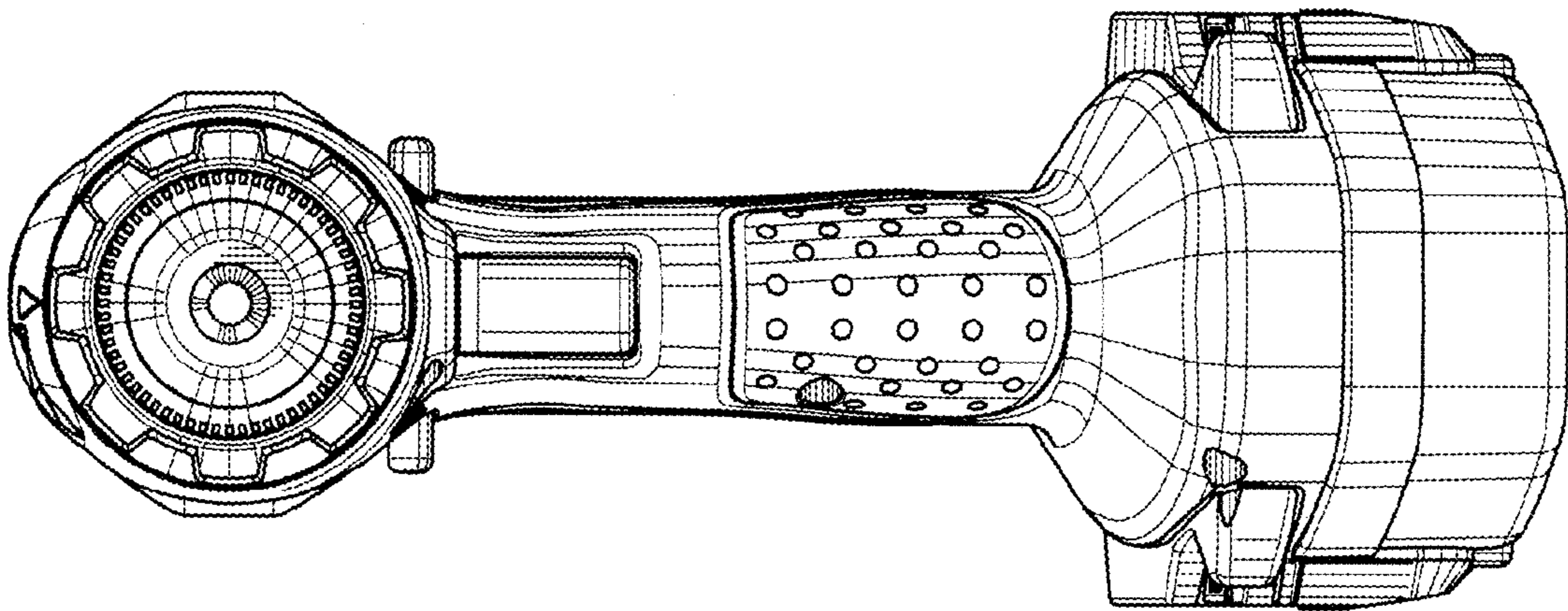


FIG. 11

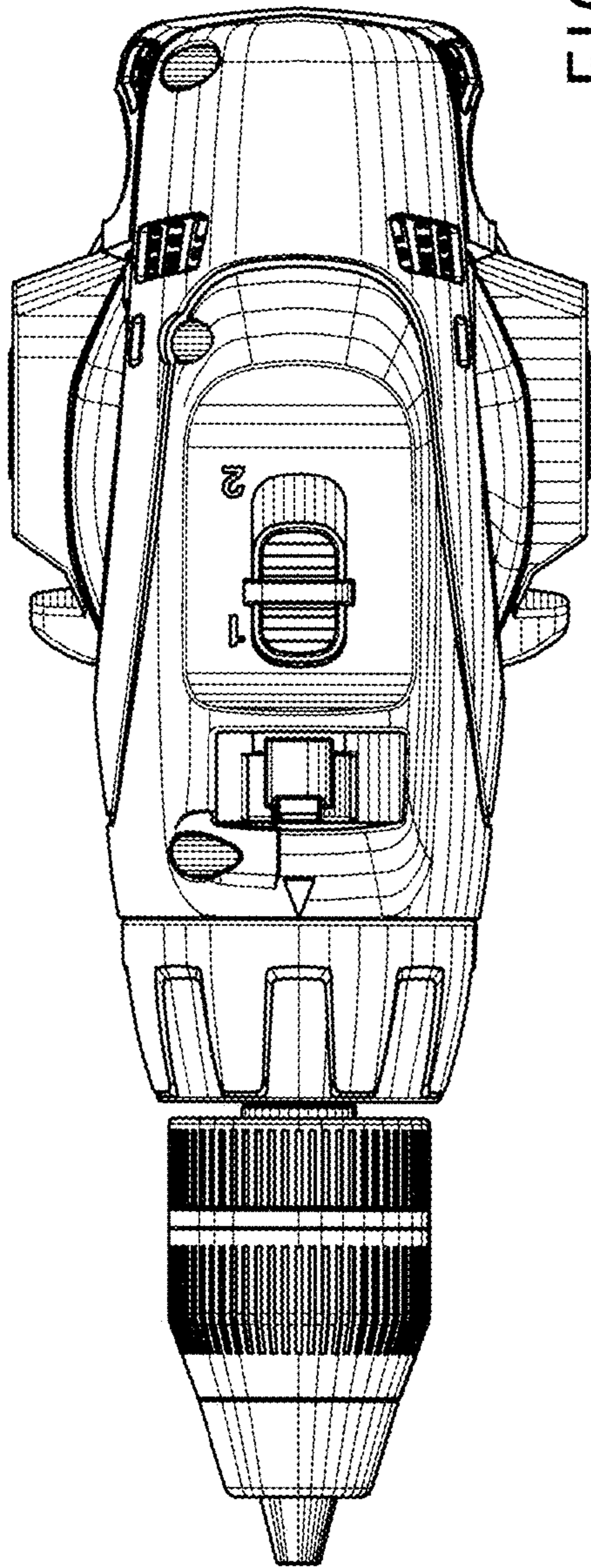


FIG. 13

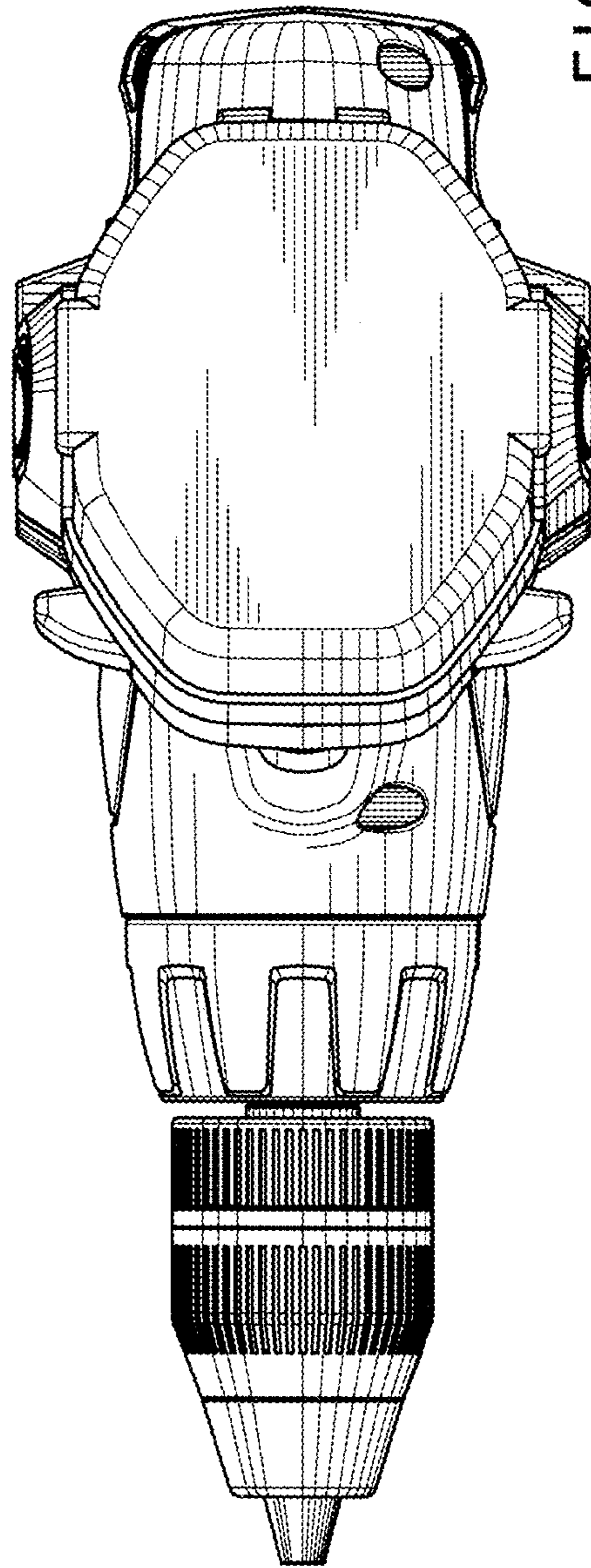


FIG. 14