



US00D618974S

(12) **United States Design Patent**
Brown

(10) **Patent No.:** **US D618,974 S**
(45) **Date of Patent:** **** Jul. 6, 2010**

(54) **HYDRANT TOOL**
(75) Inventor: **Daniel P. Brown**, Palos Park, IL (US)
(73) Assignee: **Loggerhead Tools, LLC**, Palos Park, IL (US)
(**) Term: **14 Years**
(21) Appl. No.: **29/345,063**
(22) Filed: **Oct. 8, 2009**
(51) **LOC (9) Cl.** **08-05**
(52) **U.S. Cl.** **D8/27**
(58) **Field of Classification Search** D8/21-30;
81/60, 177.1, 177.85, 121.1, 124.3, 165-170,
81/110.1, 176.2, 124.6, 176.1, 176.15, 177.2;
16/110.1; D15/144.1; 219/75, 227, 229,
219/121.16, 121.18
See application file for complete search history.

(56) **References Cited**

U.S. PATENT DOCUMENTS

599,837	A *	3/1898	Harris	81/90.3
877,773	A	1/1908	Holm		
912,117	A	2/1909	Green		
1,393,267	A	10/1921	Cousins		
1,450,641	A	4/1923	Ograbisz		
2,096,016	A	10/1937	Weishampel		
2,292,391	A	8/1942	Merriman et al.		
2,409,549	A	10/1946	Djidics		
2,547,534	A	4/1951	Oliver		
2,573,421	A	10/1951	Feiring		
2,580,247	A	12/1951	Secondi et al.		
2,674,911	A	4/1954	Theis		
2,687,661	A	8/1954	Richardson		
2,714,827	A	8/1955	Kusiv et al.		
2,739,381	A	3/1956	Petersen		

2,753,742 A 7/1956 Buchanan
2,787,925 A 4/1957 Buchanan et al.
2,884,826 A 5/1959 Bruhn

(Continued)

FOREIGN PATENT DOCUMENTS

DE 259320 C 5/1913

(Continued)

OTHER PUBLICATIONS

Nagel, Matthew. Examination Report for New Zealand Patent Application No. 562104. Aug. 7, 2009, Intellectual Property Office of New Zealand.

(Continued)

Primary Examiner—Raphael Barkai
Assistant Examiner—Randall H Gholson
(74) *Attorney, Agent, or Firm*—Vedder Price P.C.

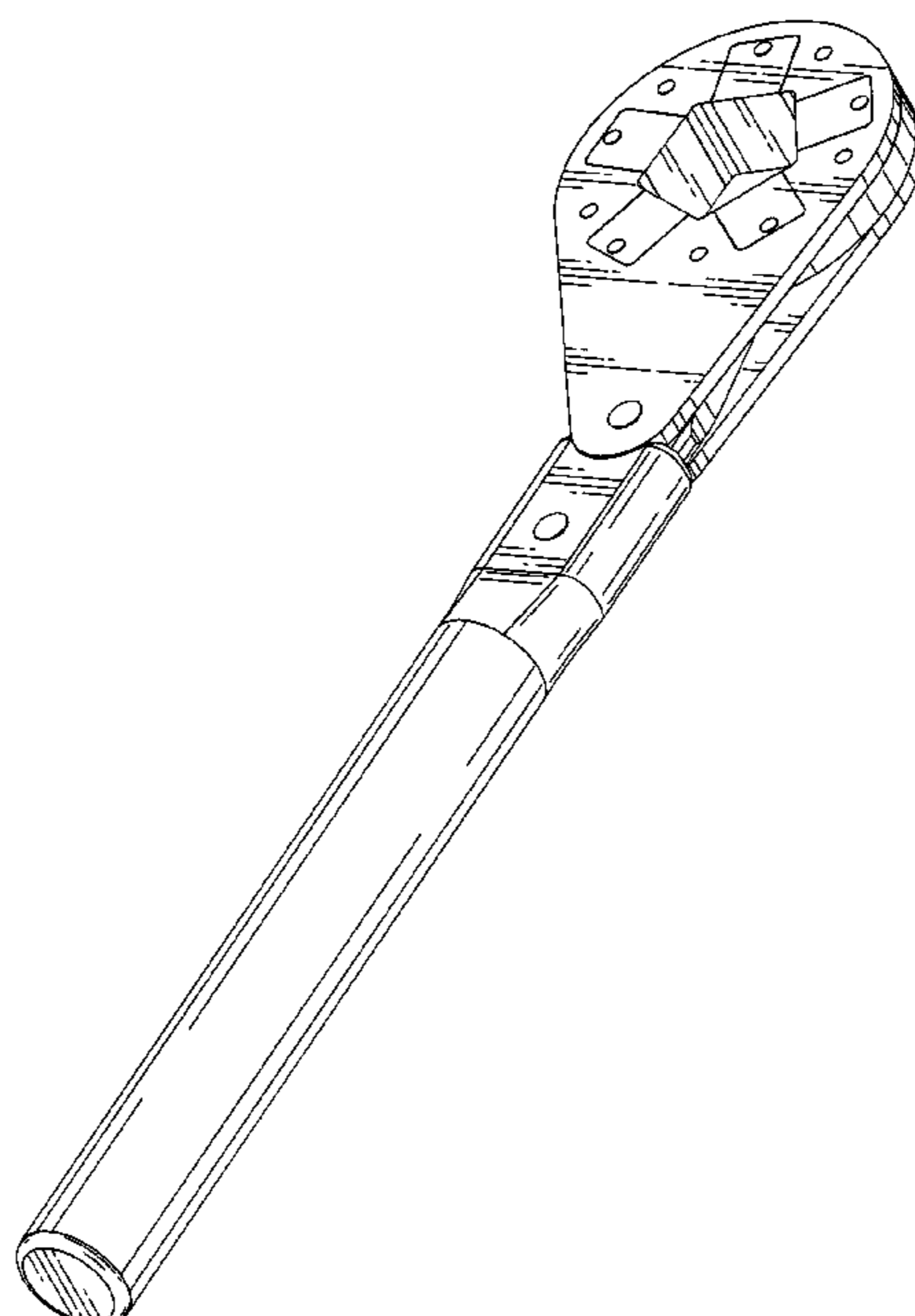
(57) **CLAIM**

The ornamental design for a hydrant tool, as shown and described.

DESCRIPTION

FIG. 1 is a perspective view of the hydrant tool;
FIG. 2 is a front elevation view of the hydrant tool of FIG. 1;
FIG. 3 is a rear elevation view of the hydrant tool of FIG. 1;
FIG. 4 is a first side elevation view of the hydrant tool of FIG. 1;
FIG. 5 is a second side elevation view of the hydrant tool of FIG. 1;
FIG. 6 is a top plan view of the hydrant tool of FIG. 1; and,
FIG. 7 is a bottom plan view of the hydrant tool of FIG. 1.

1 Claim, 4 Drawing Sheets



US D618,974 S

Page 2

U.S. PATENT DOCUMENTS

2,952,175	A	9/1960	Edlen et al.	
2,991,675	A	7/1961	Ustin	
3,177,695	A	4/1965	Van Oort	
3,199,334	A	8/1965	Holmes et al.	
3,226,968	A	1/1966	Holmes	
3,624,682	A	11/1971	Kowal	
3,664,213	A	5/1972	Anati	
3,672,050	A	6/1972	Hanback	
3,713,322	A	1/1973	Fischer	
3,901,107	A	8/1975	Halls	
4,080,733	A	3/1978	Clegg	
4,112,792	A	9/1978	Guimarin	
4,277,991	A	7/1981	Stubenrauch	
4,333,357	A	6/1982	Vinther	
4,542,668	A	9/1985	Wiener	
4,651,771	A *	3/1987	Borenstein et al.	137/296
4,724,730	A	2/1988	Mader et al.	
4,770,070	A	9/1988	Sowers	
4,793,225	A	12/1988	Berkich	
4,813,309	A	3/1989	Kang	
4,847,997	A	7/1989	Petty	
4,858,316	A	8/1989	Dubey	
4,873,899	A *	10/1989	Mazurek	81/63
5,033,153	A	7/1991	Post	
5,033,501	A *	7/1991	Stehling	137/296
5,067,376	A	11/1991	Fossella	
5,076,121	A	12/1991	Fossella	
5,090,273	A	2/1992	Fossella	
5,095,782	A	3/1992	Galea	
D330,835	S *	11/1992	Culpepper	D8/23
D334,122	S *	3/1993	Bang	D8/21
5,206,996	A	5/1993	McDaniel	
5,207,129	A	5/1993	Fosella	
5,235,878	A	8/1993	Young	
5,249,487	A	10/1993	Armfield	
5,249,490	A	10/1993	Kennel	
5,255,576	A *	10/1993	Keith	81/63
5,261,263	A	11/1993	Whitesell	
5,305,670	A	4/1994	Fossella et al.	
5,345,682	A	9/1994	Dubinsky et al.	
5,375,309	A	12/1994	Dunn	
5,377,566	A	1/1995	Mandigo	
5,448,931	A	9/1995	Fosella	
5,515,609	A	5/1996	Sperti	
5,531,549	A	7/1996	Fossella	

5,557,993	A	9/1996	Austin	
5,581,886	A	12/1996	Sesser et al.	
5,809,852	A	9/1998	Haskell	
5,819,607	A	10/1998	Carnesi	
5,893,306	A	4/1999	Owoc	
5,894,768	A	4/1999	Malkin et al.	
5,907,906	A	6/1999	Sweeney	
5,918,511	A	7/1999	Sabbaghian et al.	
5,960,683	A	10/1999	Malkin et al.	
6,073,522	A	6/2000	Carnesi	
6,085,618	A *	7/2000	Macor	81/177.85
6,098,506	A	8/2000	Clegg	
6,164,107	A	12/2000	Korba, Jr.	
6,186,034	B1	2/2001	Lamons	
6,227,076	B1	5/2001	Murray	
6,279,429	B1	8/2001	Boyer	
6,314,842	B1	11/2001	Hsieh	
6,341,544	B1	1/2002	Falzone	
6,401,340	B1	6/2002	King	
6,418,820	B1	7/2002	Lamond et al.	
6,530,298	B1	3/2003	Steffe	
D476,204	S *	6/2003	Chang-Kao	D8/28
6,575,060	B1 *	6/2003	Tseng et al.	81/63.2
6,658,739	B1	12/2003	Huang	
6,751,867	B1	6/2004	Whyte	
6,834,569	B2	12/2004	Wang	
6,889,579	B1 *	5/2005	Brown	81/90.2
2002/0144575	A1	10/2002	Niven	
2003/0121376	A1	7/2003	Huang	
2004/0025647	A1	2/2004	Wang	
2004/0244543	A1 *	12/2004	Barnett et al.	81/62
2006/0225538	A1	10/2006	Brown	

FOREIGN PATENT DOCUMENTS

DE	1452623	A1	7/1970
EP	543815	B1	1/2000
GB	2265891	A	10/1993
JP	S5087599		12/1948
JP	S5630511		8/1954
JP	S57181516		5/1956
JP	2001286955		10/2001

OTHER PUBLICATIONS

European Patent Office. Supplementary Search Report cited in EP Application No. 05 72 2450. Jun. 21, 2007.

* cited by examiner

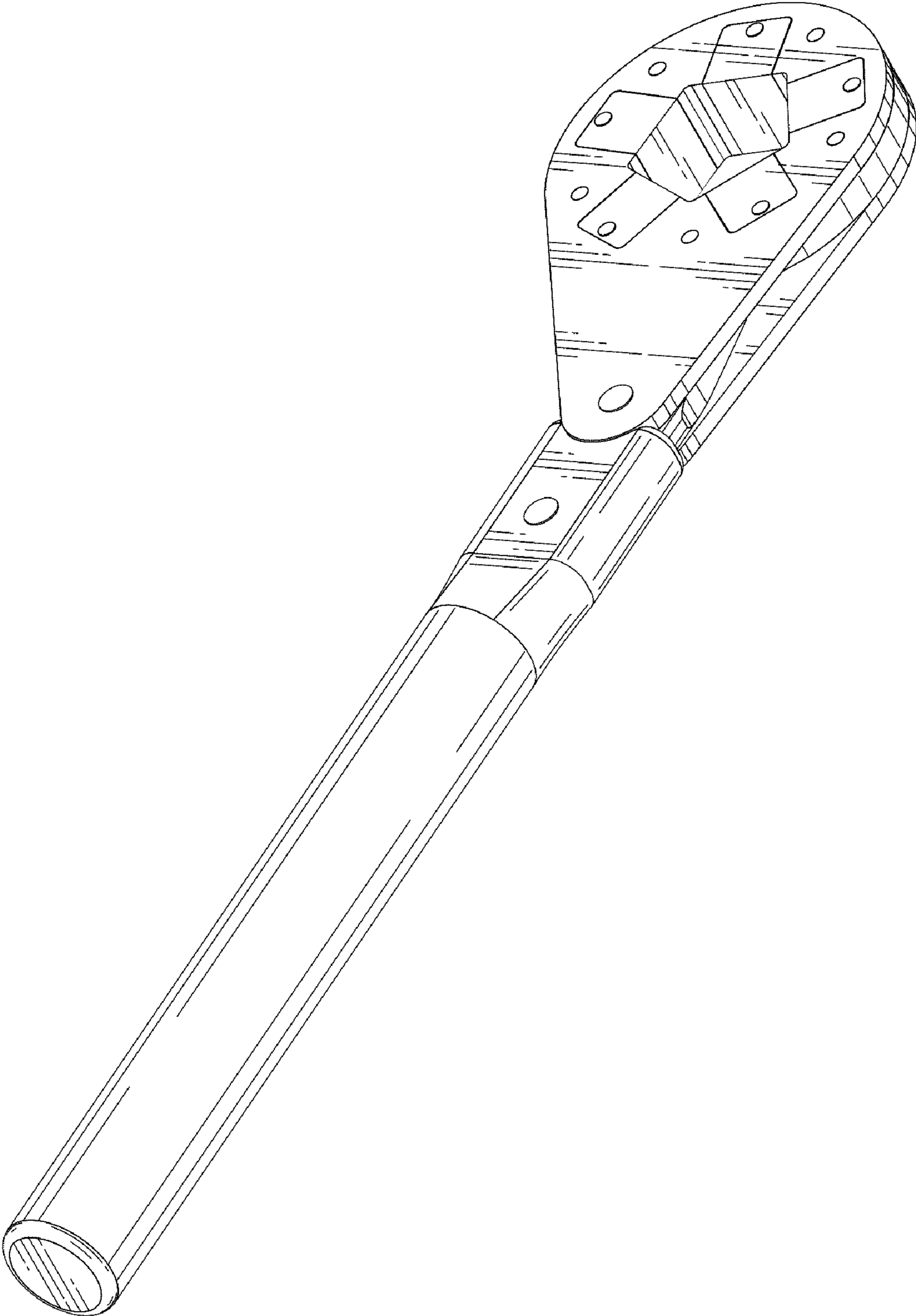


FIG. 1

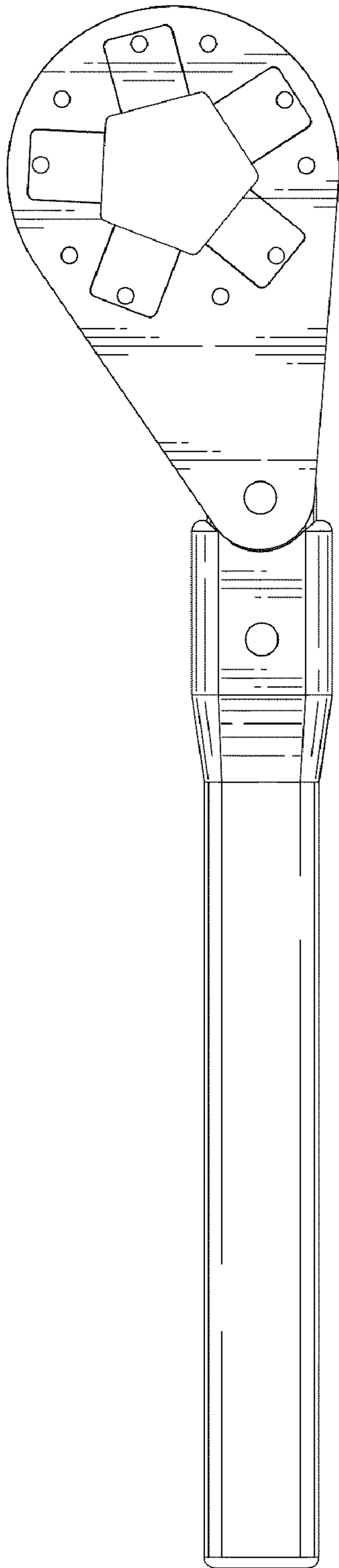


FIG. 2

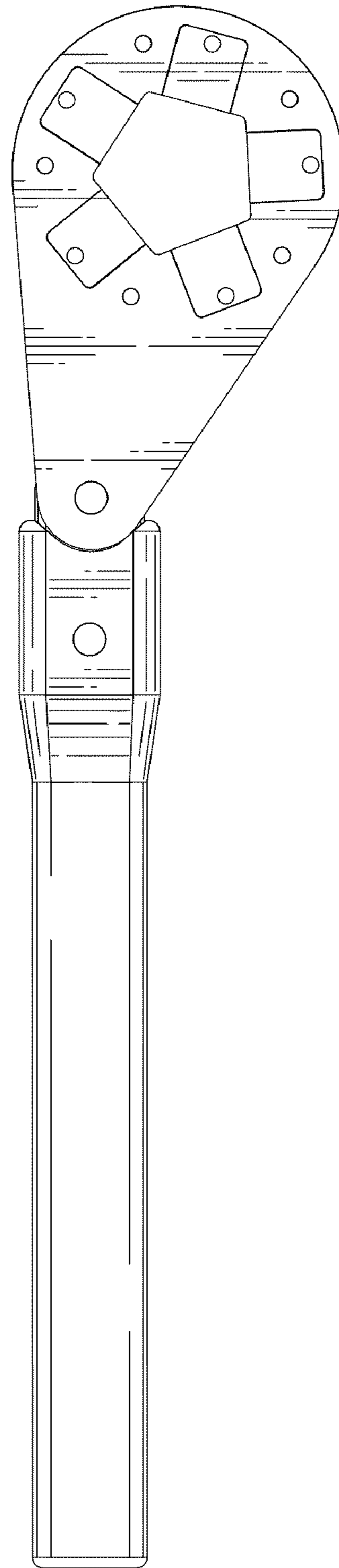


FIG. 3

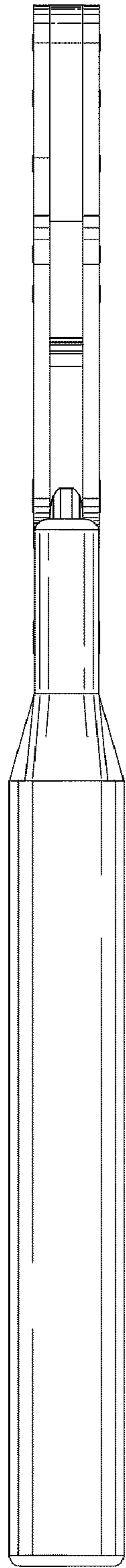


FIG. 4

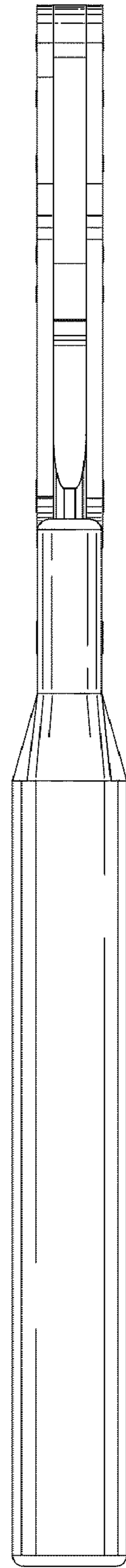


FIG. 5

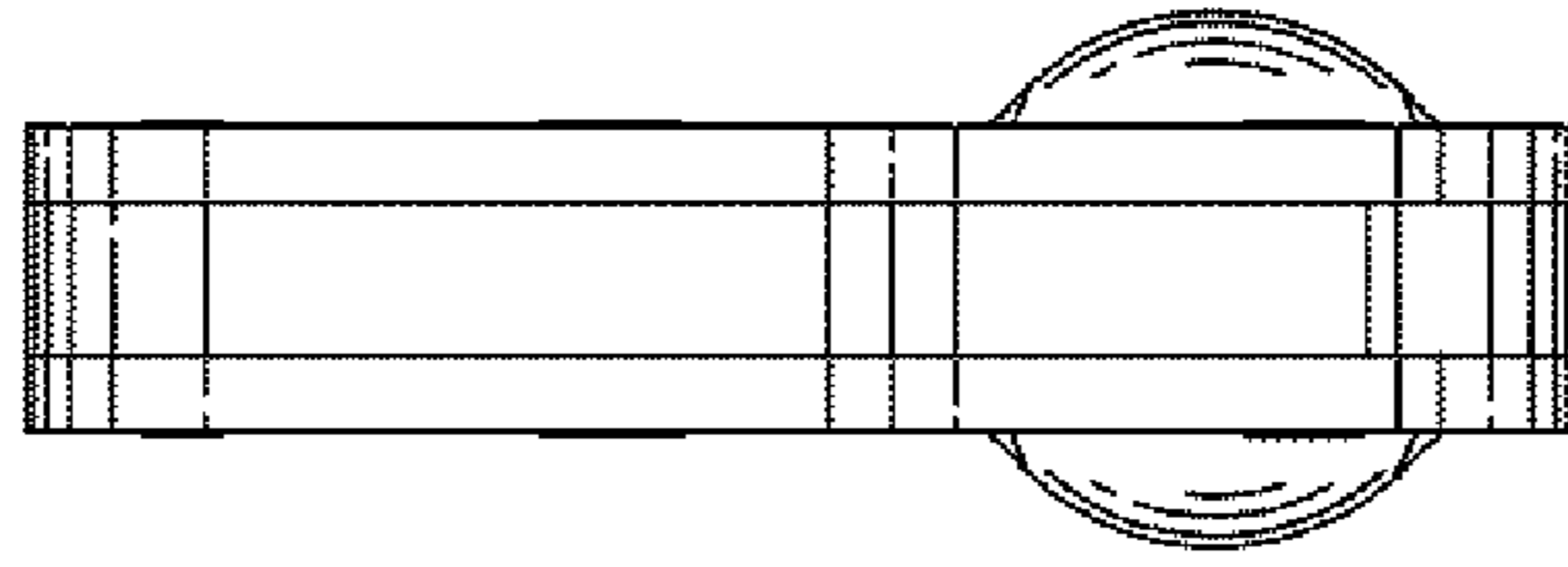


FIG. 6

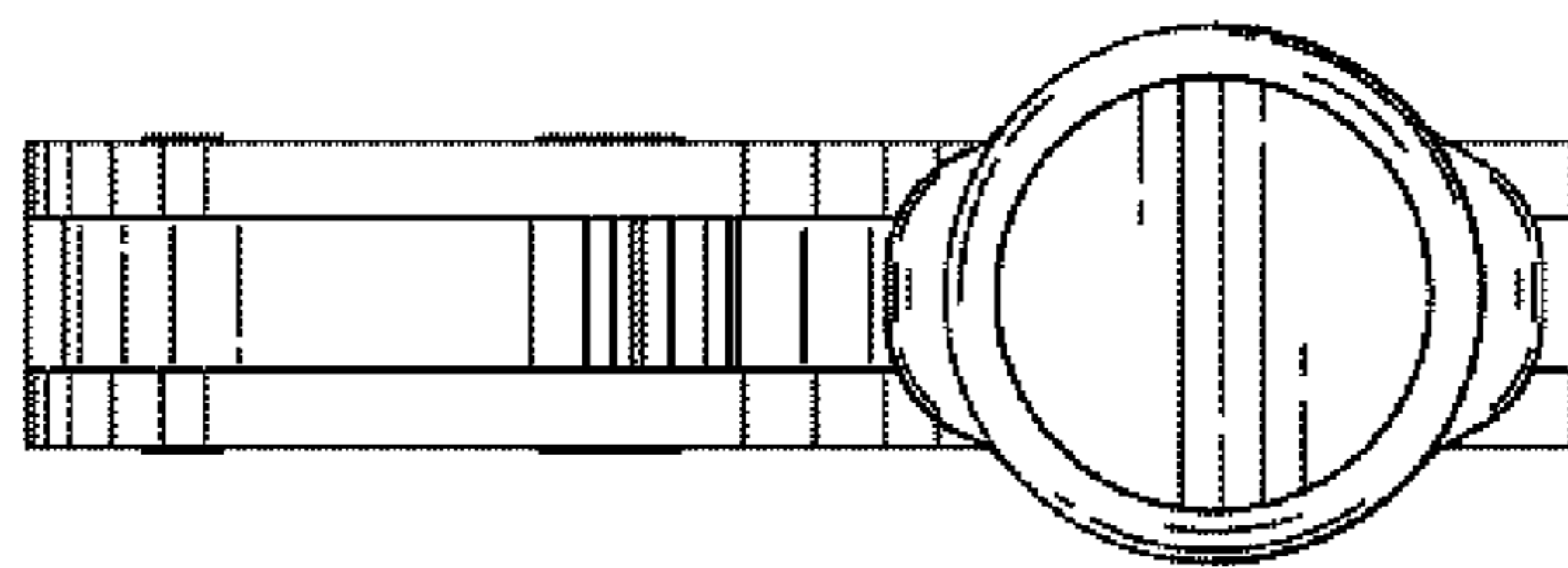


FIG. 7