



US00D618973S

(12) **United States Design Patent**  
**Gosselin**

(10) **Patent No.:** **US D618,973 S**

(45) **Date of Patent:** **\*\* Jul. 6, 2010**

(54) **AUXILIARY HANDLE FOR A SHOVEL**

(76) Inventor: **Joseph A. Gosselin**, 81 Faye La.,  
Southington, CT (US) 06489

(\*\*) Term: **14 Years**

(21) Appl. No.: **29/314,532**

(22) Filed: **Apr. 8, 2009**

(51) **LOC (9) Cl.** ..... **08-01**

(52) **U.S. Cl.** ..... **D8/10; D8/107**

(58) **Field of Classification Search** ..... D8/1,  
D8/10, 107; 294/54.5, 49, 51, 53.5, 55; 37/278;  
81/177.1, 177.7

See application file for complete search history.

(56) **References Cited**

**U.S. PATENT DOCUMENTS**

5,133,582	A *	7/1992	Rocha	.....	294/58
5,431,468	A *	7/1995	Rosenshine	.....	294/58
D393,190	S *	4/1998	Garrison et al.	.....	D8/10
D395,211	S *	6/1998	Linden et al.	.....	D8/10
D426,436	S *	6/2000	Ng	.....	D8/10
D436,506	S *	1/2001	Crowe, Jr.	.....	D8/10
D441,623	S *	5/2001	Storlie	.....	D8/10

D487,680	S *	3/2004	Sickler et al.	.....	D8/10
D526,864	S *	8/2006	Braun	.....	D8/10
D546,644	S *	7/2007	Rosine et al.	.....	D8/10
D551,524	S *	9/2007	Norton et al.	.....	D8/10

\* cited by examiner

*Primary Examiner*—Holly H Baynham

*Assistant Examiner*—Sheryl Lane

(57) **CLAIM**

I claim the ornamental design for an auxiliary handle for a shovel, as shown and described.

**DESCRIPTION**

FIG. 1 is a perspective view of the auxiliary handle for a shovel,

FIG. 2 is a front end view of the auxiliary handle,

FIG. 3 is a rear end view of the auxiliary handle ,

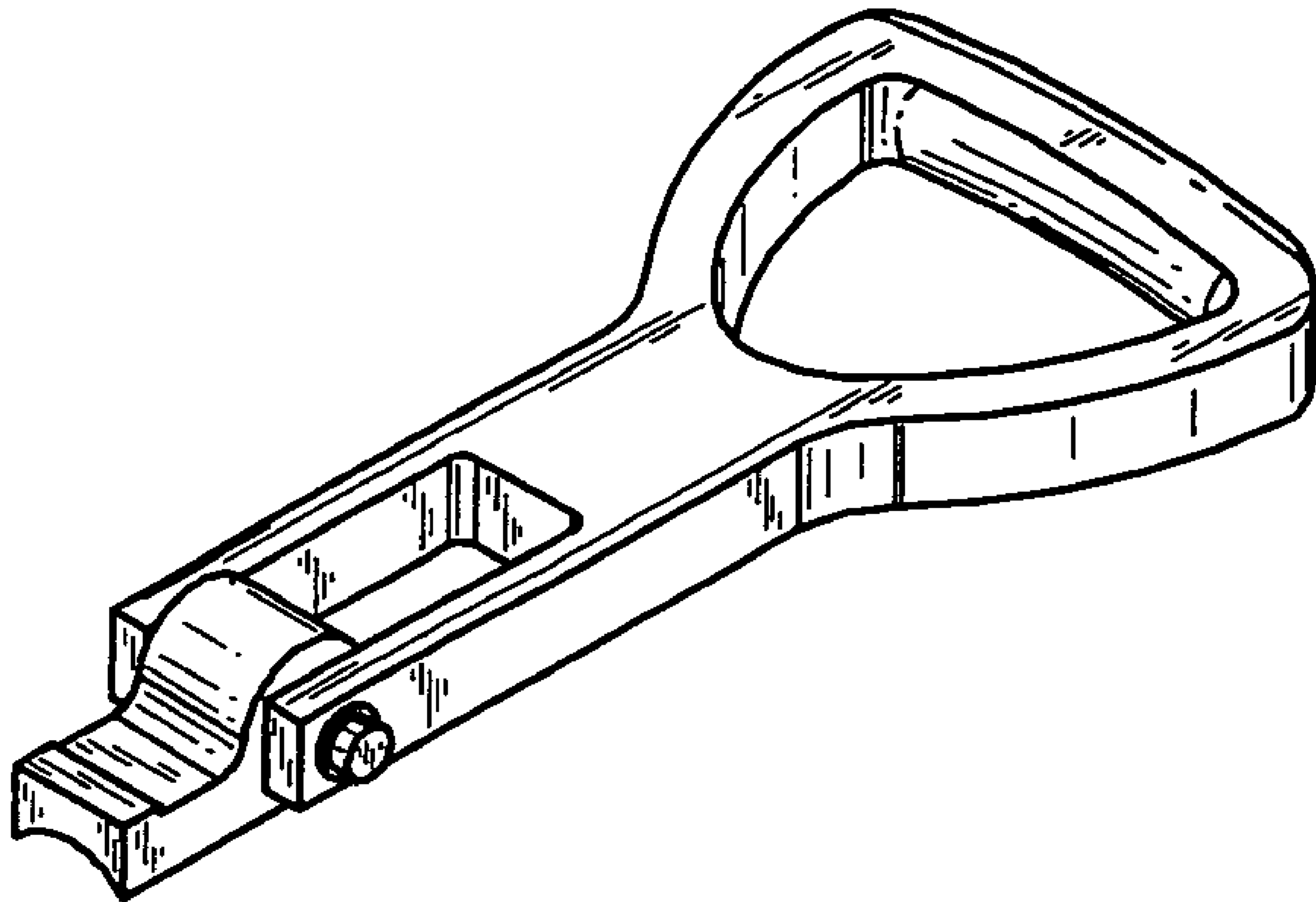
FIG. 4 is a top view of the auxiliary handle,

FIG. 5 is a bottom view of the auxiliary handle,

FIG. 6 is a left hand side view of the auxiliary handle; and,

FIG. 7 is a right hand side view of the auxiliary handle.

**1 Claim, 1 Drawing Sheet**



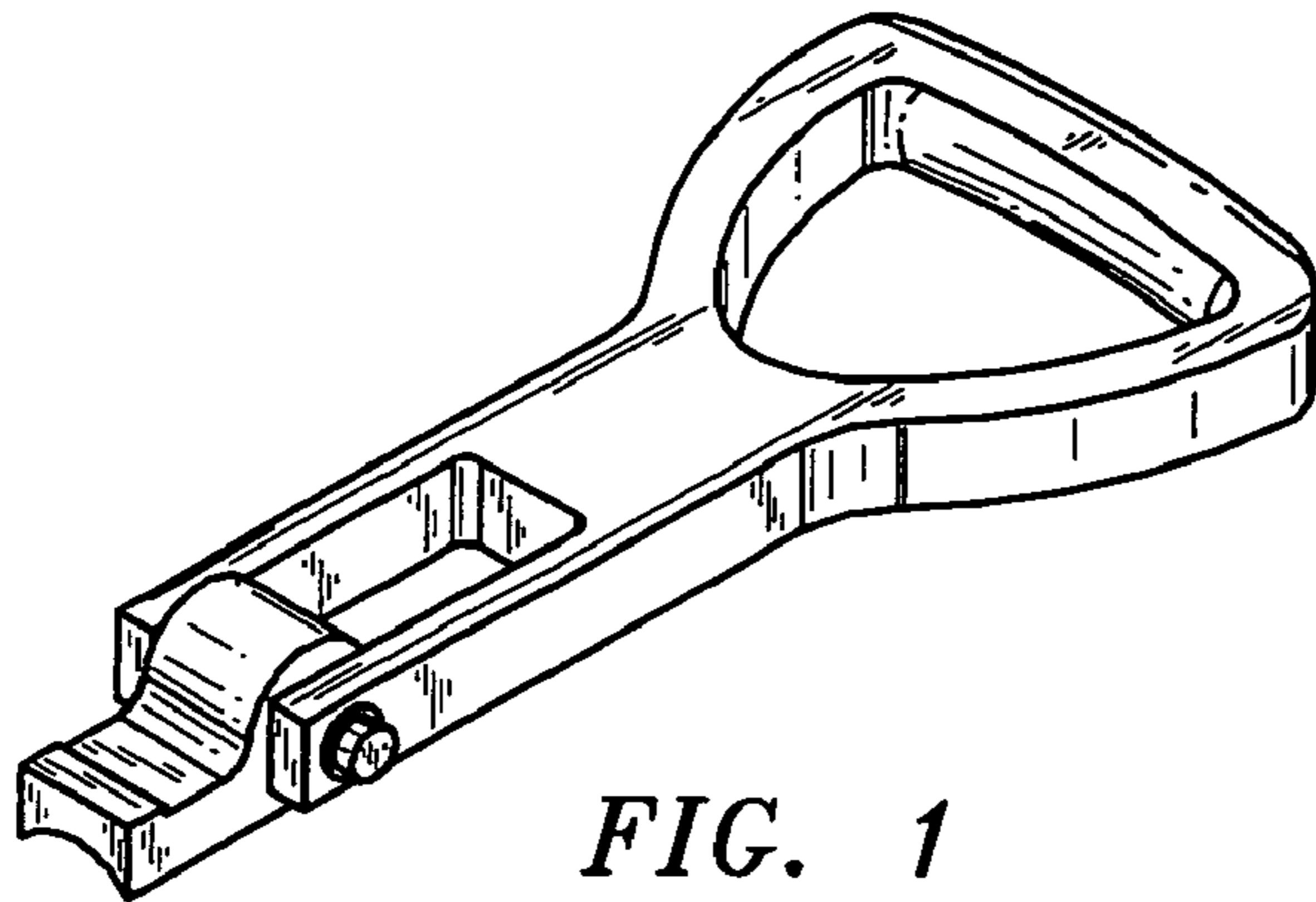


FIG. 1

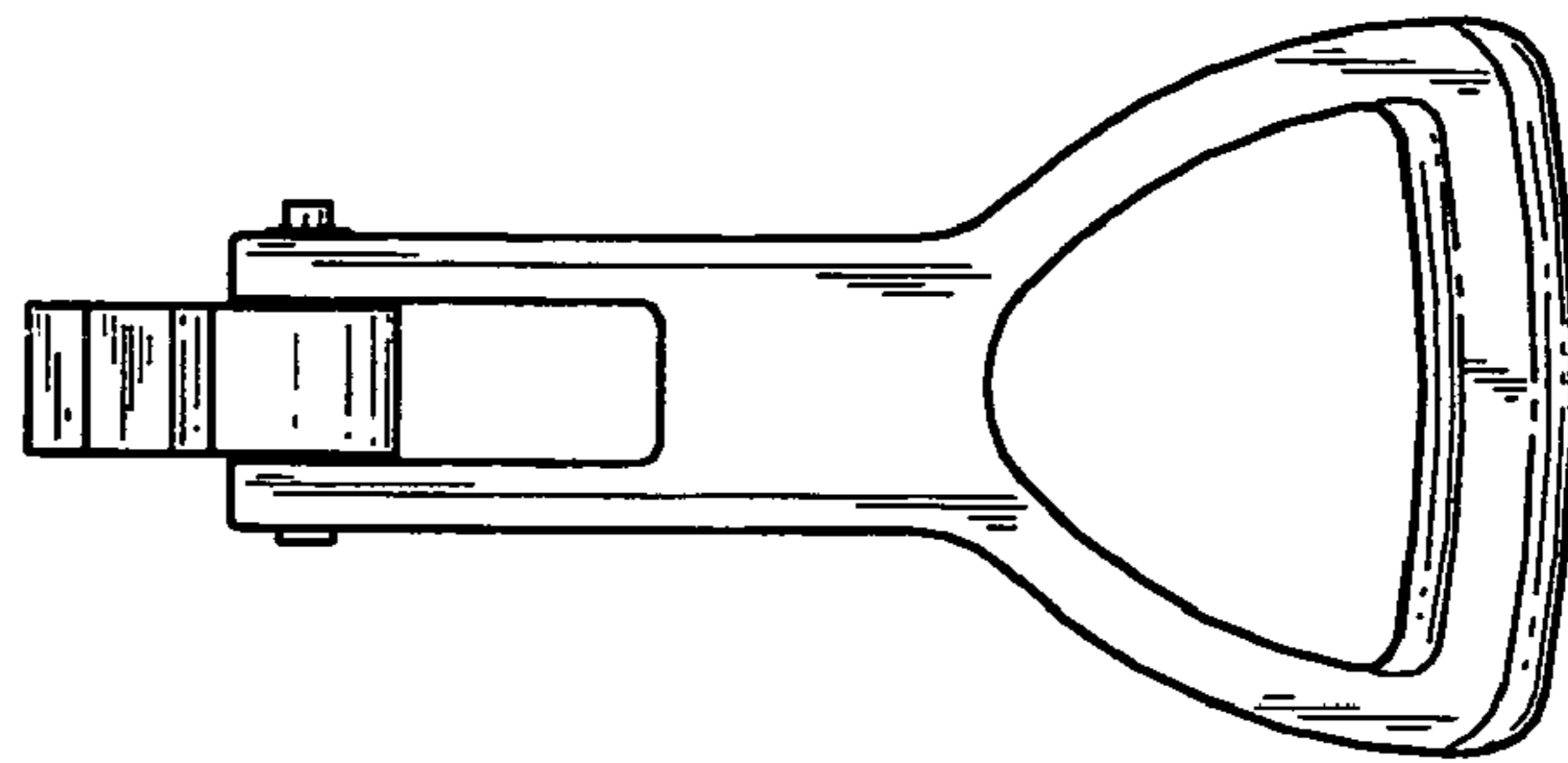


FIG. 4

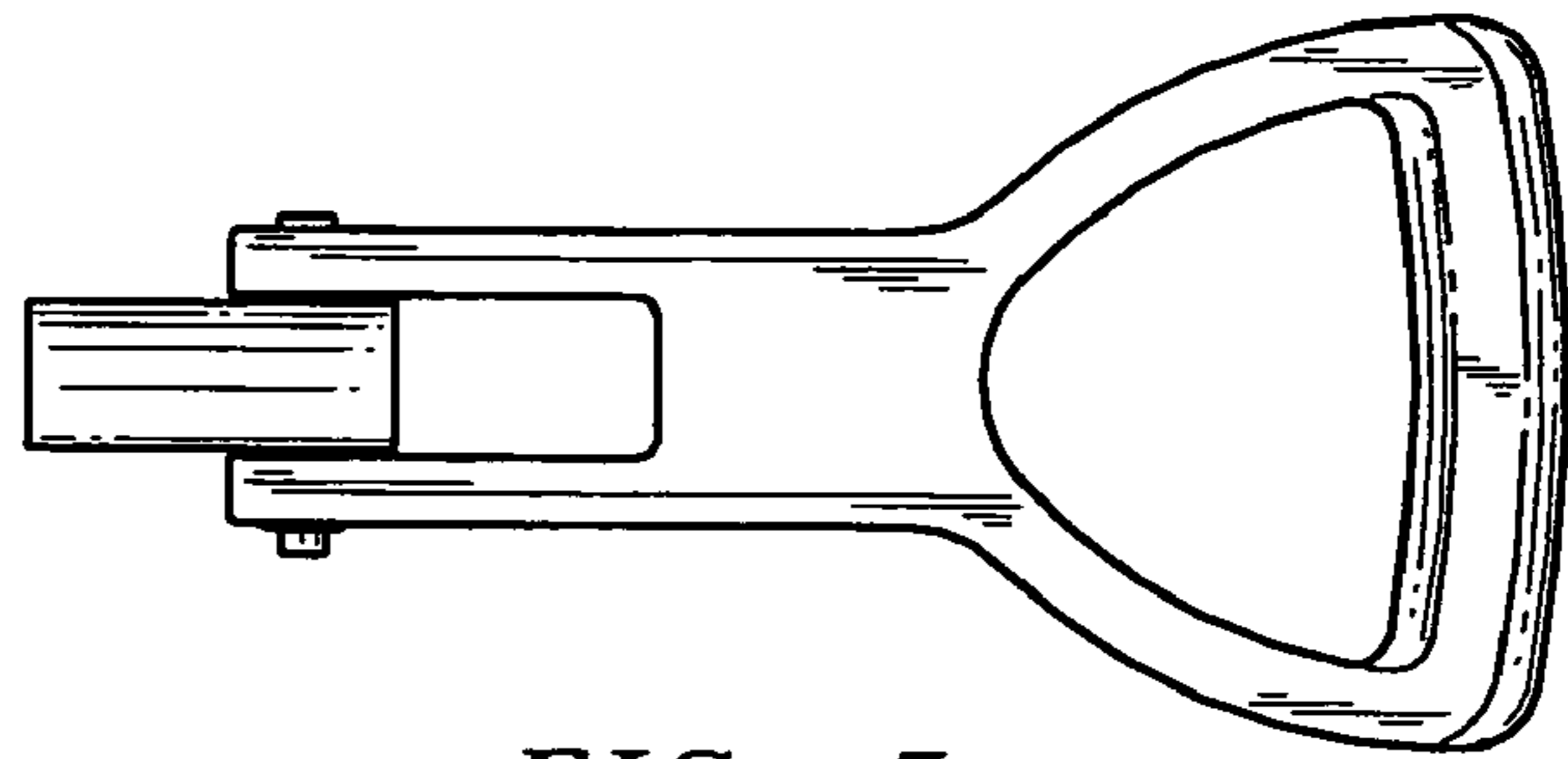


FIG. 5



FIG. 2

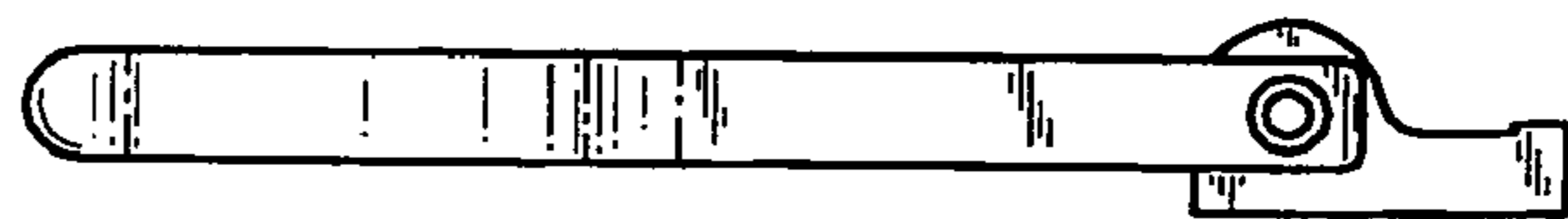


FIG. 6



FIG. 3

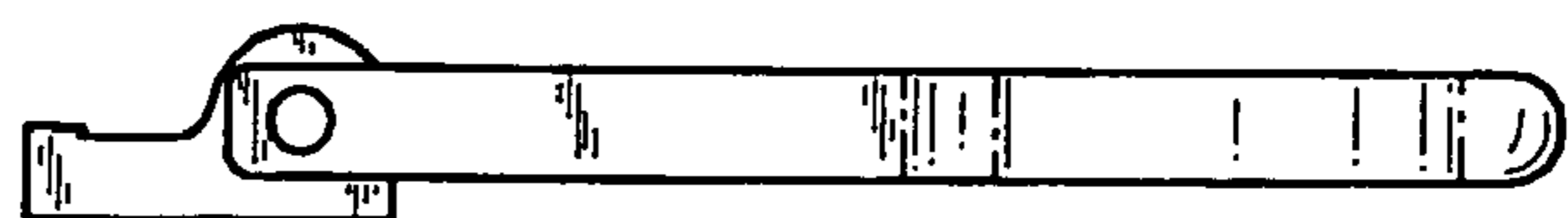


FIG. 7