



US00D618971S

(12) **United States Design Patent**  
**Hörtnagl**

(10) **Patent No.:** **US D618,971 S**

(45) **Date of Patent:** **\*\* Jul. 6, 2010**

(54) **BRANCH LIFTER**

(76) Inventor: **Johann Hörtnagl**, M. Pfurtschellerweg  
20b, Fulpmes (AT) A-6166

(\*\*) Term: **14 Years**

(21) Appl. No.: **29/342,274**

(22) Filed: **Aug. 21, 2009**

(51) **LOC (9) Cl.** ..... **08-01**

(52) **U.S. Cl.** ..... **D8/1**

(58) **Field of Classification Search** ..... D8/1,  
D8/7, 11, 12; 56/309, 340, 244, 356; 294/26,  
294/50.6

See application file for complete search history.

(56) **References Cited**

**U.S. PATENT DOCUMENTS**

D42,310	S	*	3/1912	Stewart	.....	D8/12
1,594,413	A	*	8/1926	Glenn	.....	403/88
2,019,357	A	*	10/1935	Oestreich	.....	172/371
2,303,390	A	*	12/1942	Ronald	.....	403/103
2,311,417	A	*	2/1943	Sandholt	.....	30/309
D253,159	S	*	10/1979	Crisafulli	.....	D8/12
D263,549	S	*	3/1982	Bennett	.....	D8/12
D305,494	S	*	1/1990	Jasperson	.....	D8/7
D307,100	S	*	4/1990	Roman	.....	D8/11

D413,773	S	*	9/1999	Chang	.....	D8/1
D461,999	S	*	8/2002	Nimmo	.....	D8/7
D605,004	S	*	12/2009	Tafoya	.....	D8/12
2004/0100109	A1	*	5/2004	Johnson	.....	294/26
2009/0284032	A1	*	11/2009	Nicol	.....	294/26

\* cited by examiner

*Primary Examiner*—Holly H Baynham

*Assistant Examiner*—Sheryl Lane

(74) *Attorney, Agent, or Firm*—Lawrence A. Greenberg;  
Werner H. Stemer; Ralph E. Locher

(57) **CLAIM**

The ornamental design for a branch lifter, as shown and described.

**DESCRIPTION**

FIG. 1 is a left side, perspective view of a branch lifter, showing my new design;

FIG. 2 is a side elevational view thereof;

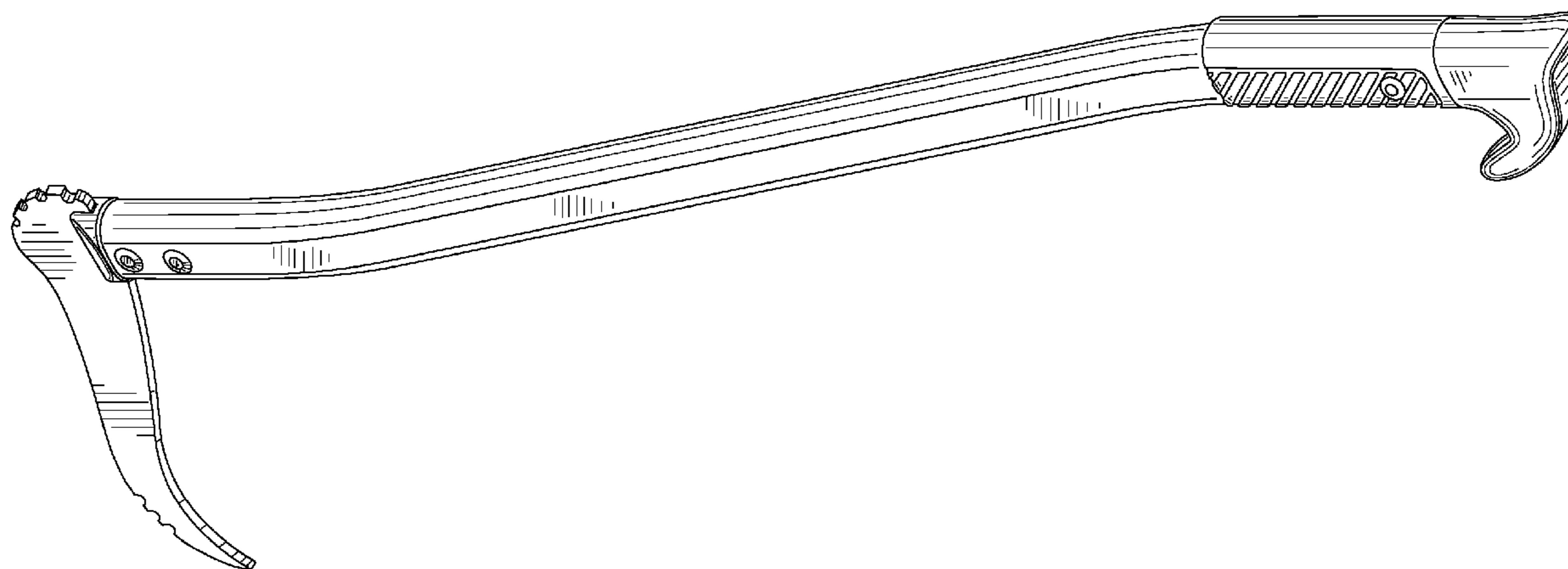
FIG. 3 is a front view thereof;

FIG. 4 is a rear view thereof;

FIG. 5 is a top plan view thereof; and,

FIG. 6 is a bottom plan view thereof.

**1 Claim, 4 Drawing Sheets**



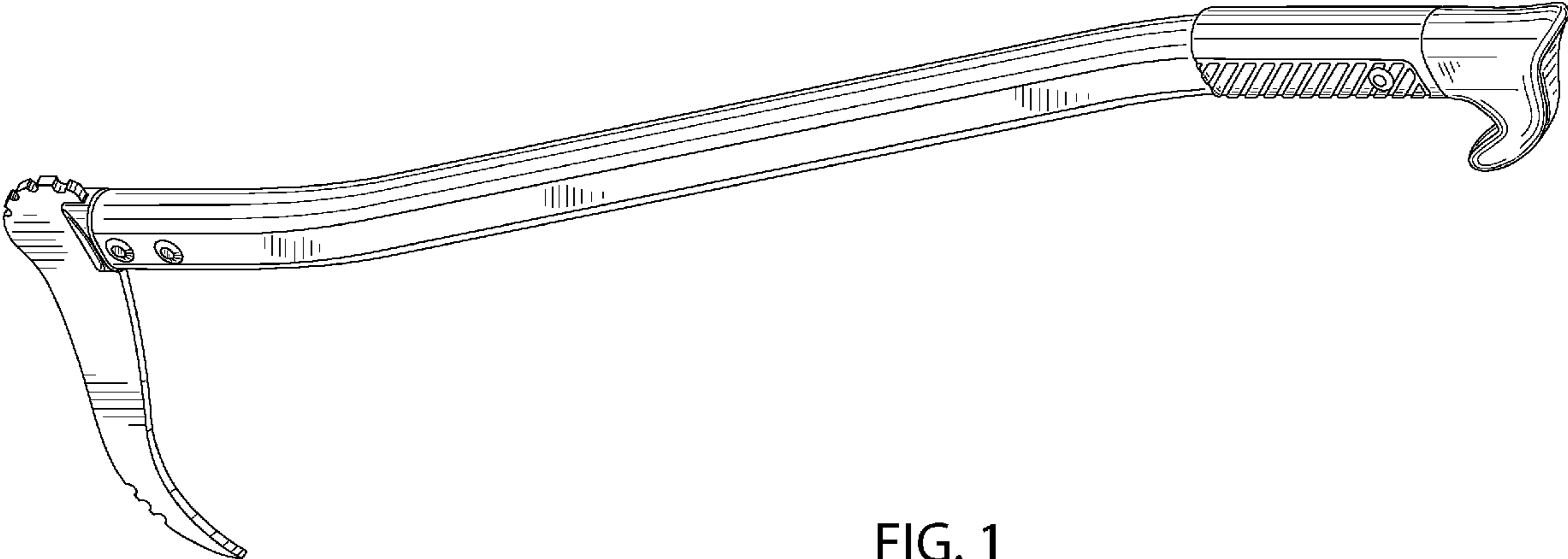


FIG. 1

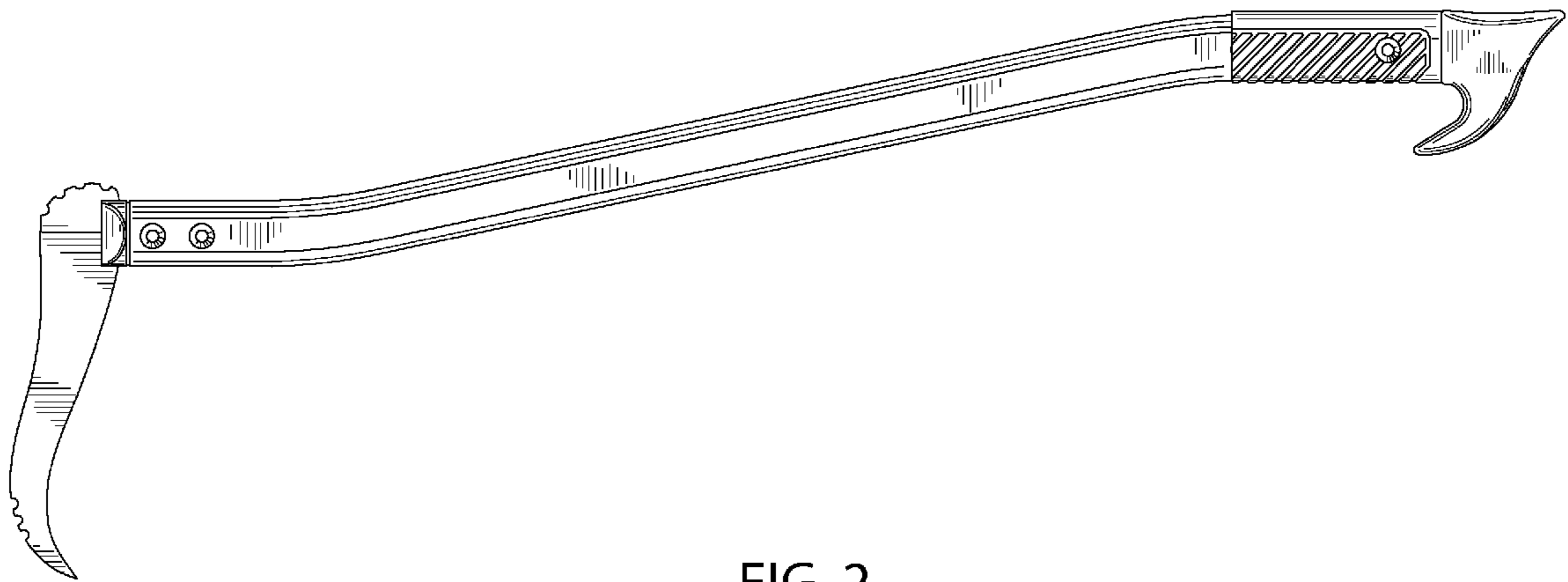


FIG. 2

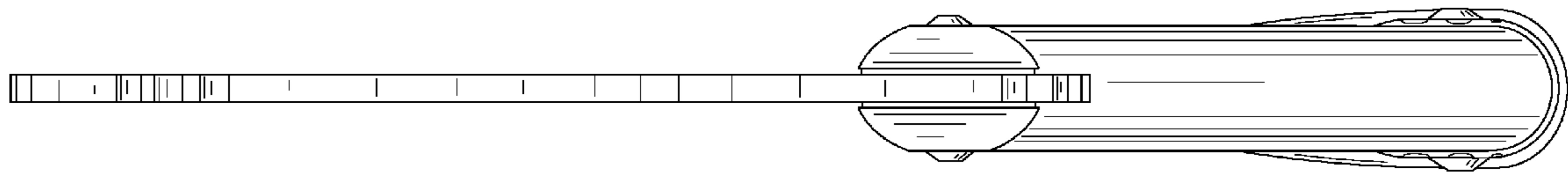


FIG. 3

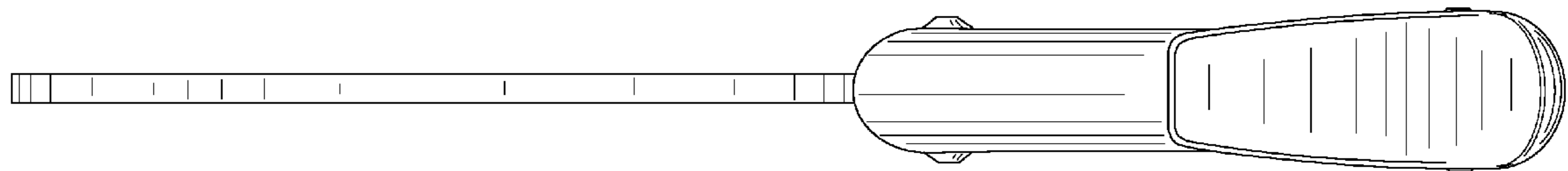


FIG. 4

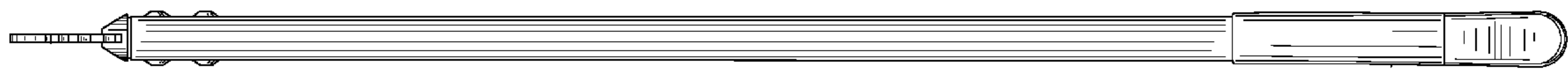


FIG. 5



FIG. 6