



US00D618968S

(12) **United States Design Patent**
Belden

(10) **Patent No.:** **US D618,968 S**

(45) **Date of Patent:** **** Jul. 6, 2010**

(54) **BEVERAGE CONTAINER HOLDER
ACCESSORY FOR POOL NOODLE**

7,318,762 B2 * 1/2008 Goldmeier 441/129

* cited by examiner

(76) Inventor: **Brian Richard Belden**, 30268 Gulf Stream Dr., Canyon Lake, CA (US) 92587

Primary Examiner—Ian Simmons

Assistant Examiner—Dana L Sipos

(74) *Attorney, Agent, or Firm*—Loyal McKinley Hanson

(**) Term: **14 Years**

(57) **CLAIM**

(21) Appl. No.: **29/316,852**

I claim the ornamental design for a beverage container holder accessory for pool noodle, as shown and described.

(22) Filed: **Nov. 6, 2009**

DESCRIPTION

(51) **LOC (9) Cl.** **07-06**

FIG. 1 is a top perspective view of a beverage container holder accessory for pool noodle showing my new design;

(52) **U.S. Cl.** **D7/620**

FIG. 2 is a left side elevation view thereof;

(58) **Field of Classification Search** D7/601–602, D7/605, 608, 701, 708, 619.1, 620, 624.1, D7/624.2; 220/592.16, 591.17, 694, 703, 220/737–739, 751; D12/114, 411; 441/44, 441/50, 129, 132, 136

FIG. 3 is a top plan view thereof;

FIG. 4 is a front elevation view thereof;

FIG. 5 is a rear elevation view thereof;

See application file for complete search history.

FIG. 6 is a right side elevation view thereof;

FIG. 7 is a bottom plan view thereof; and,

(56) **References Cited**

FIG. 8 is a top perspective view thereof, showing the beverage container holder accessory for pool noodle mounted to the end of a pool noodle. The broken lines in this figure showing the end of a pool noodle are environmental structure and form no part of the claimed design.

U.S. PATENT DOCUMENTS

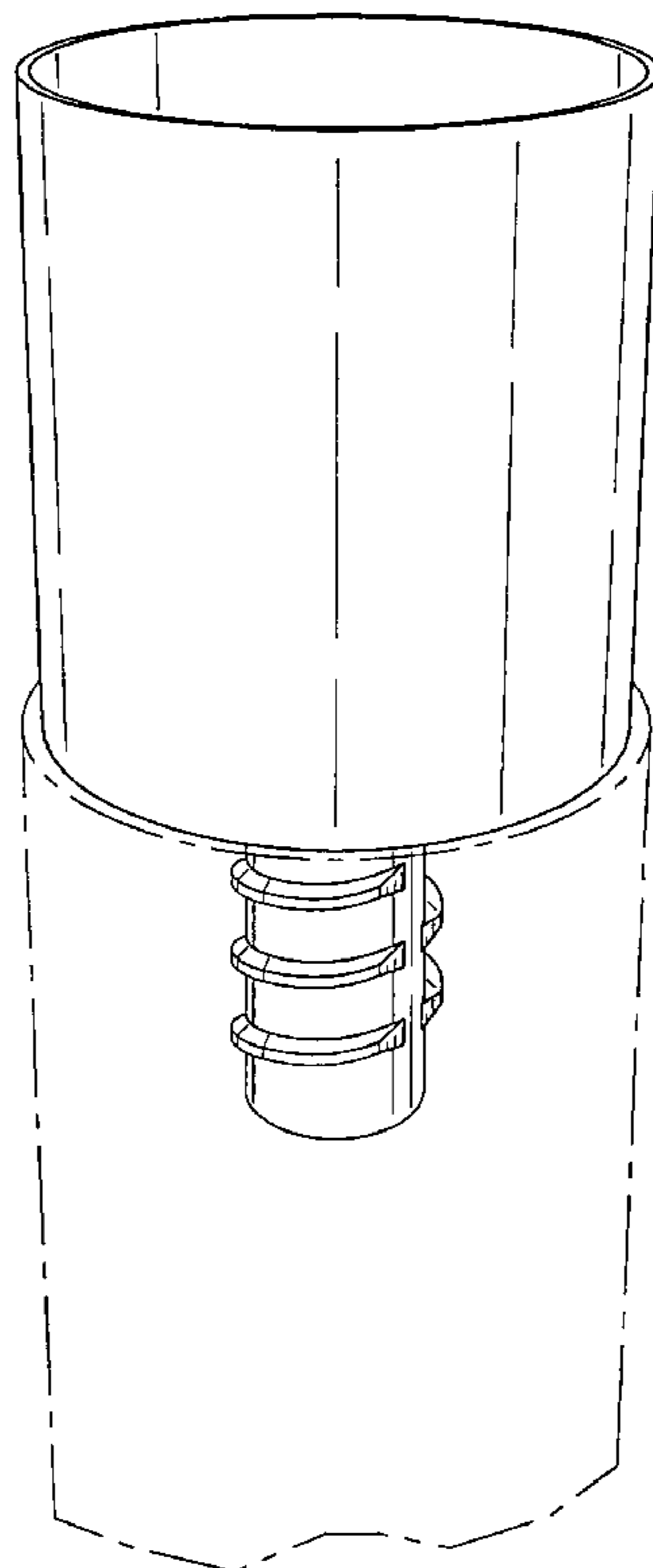
6,494,339 B1 * 12/2002 Engelhard et al. 220/475

D469,317 S * 1/2003 Doerr D7/624.2

6,790,112 B2 * 9/2004 Kirk 441/129

7,052,347 B2 * 5/2006 Goldmeier 441/129

1 Claim, 4 Drawing Sheets



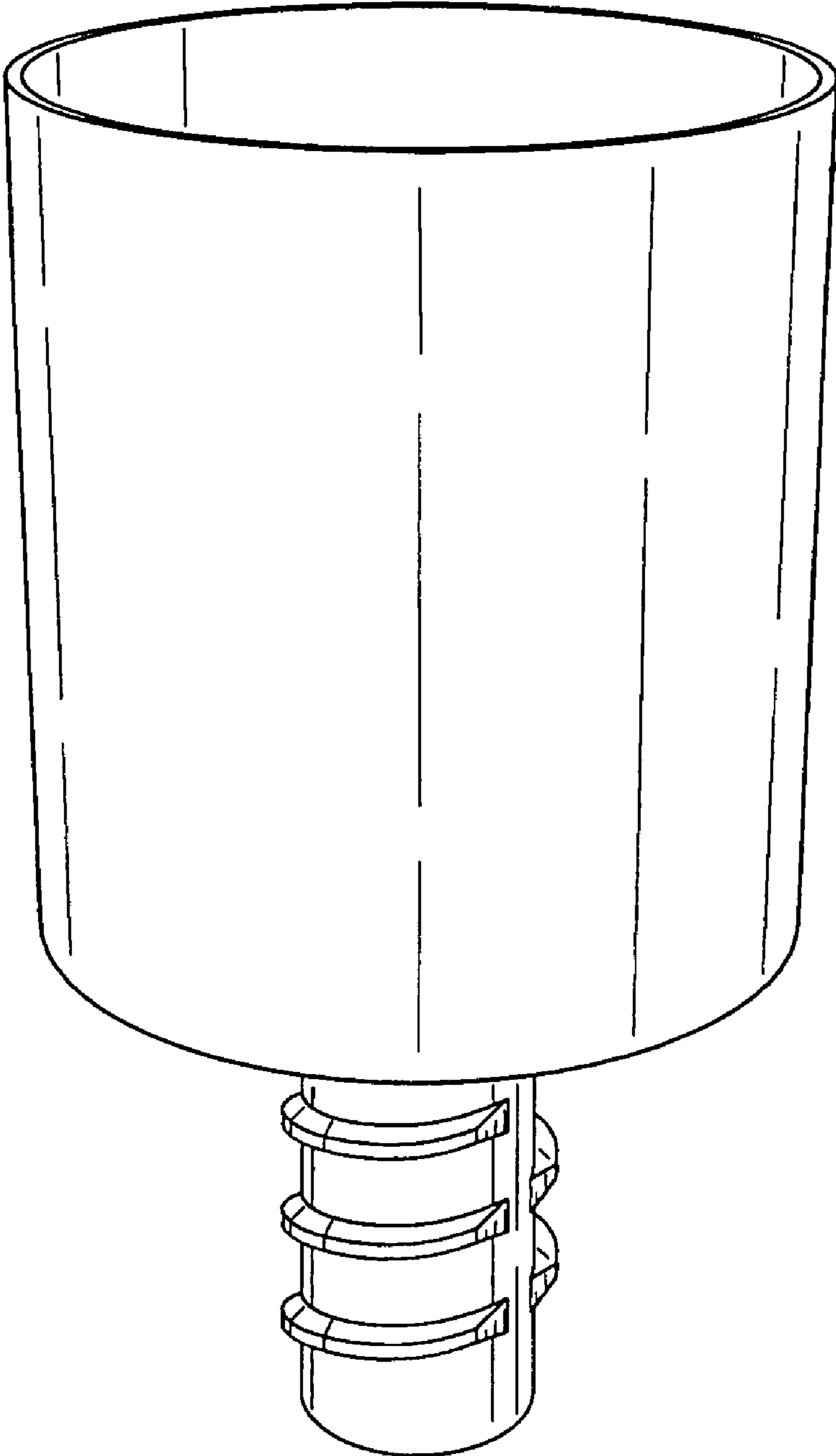


Fig. 1

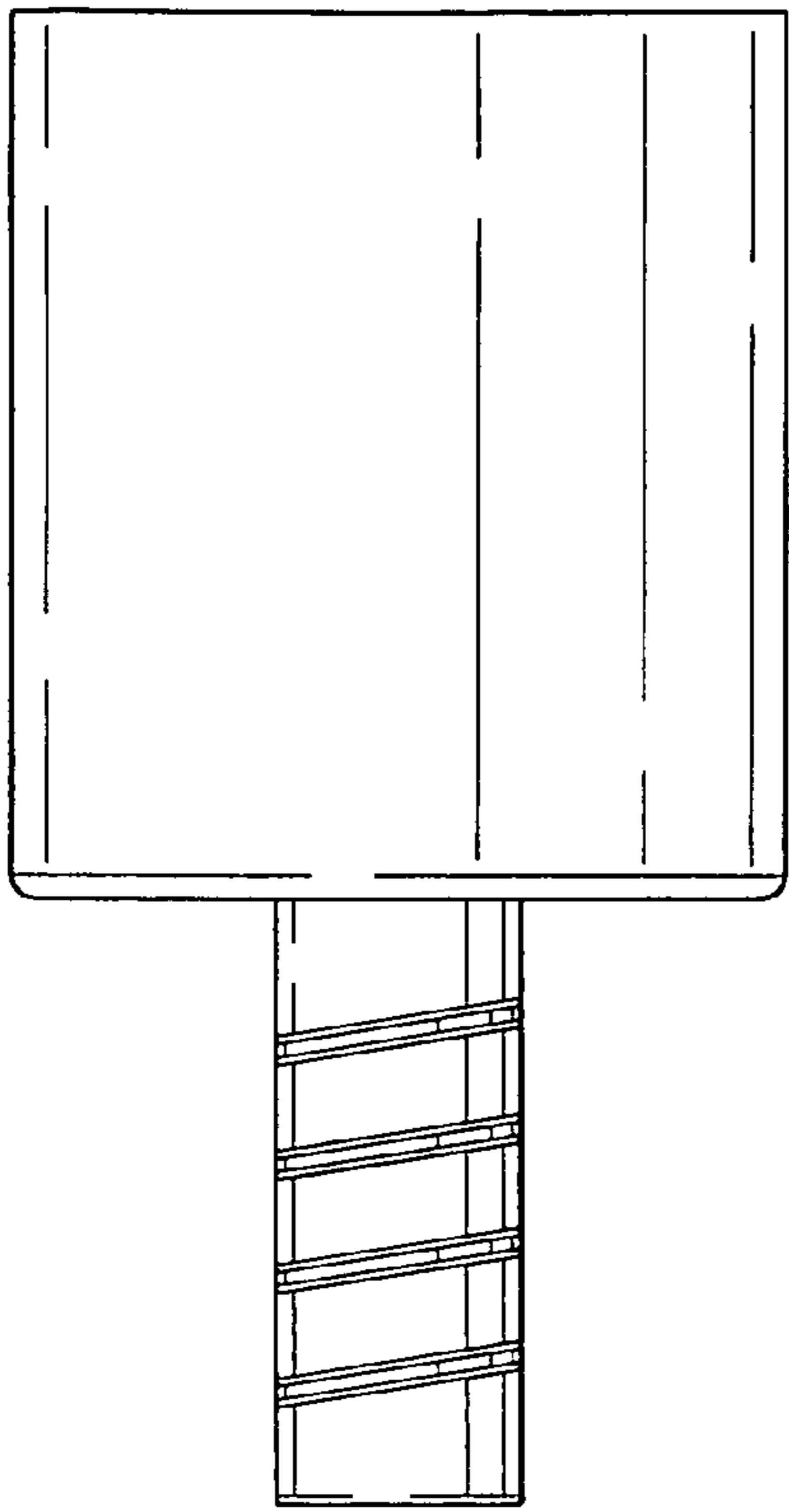


Fig. 2

Fig. 6

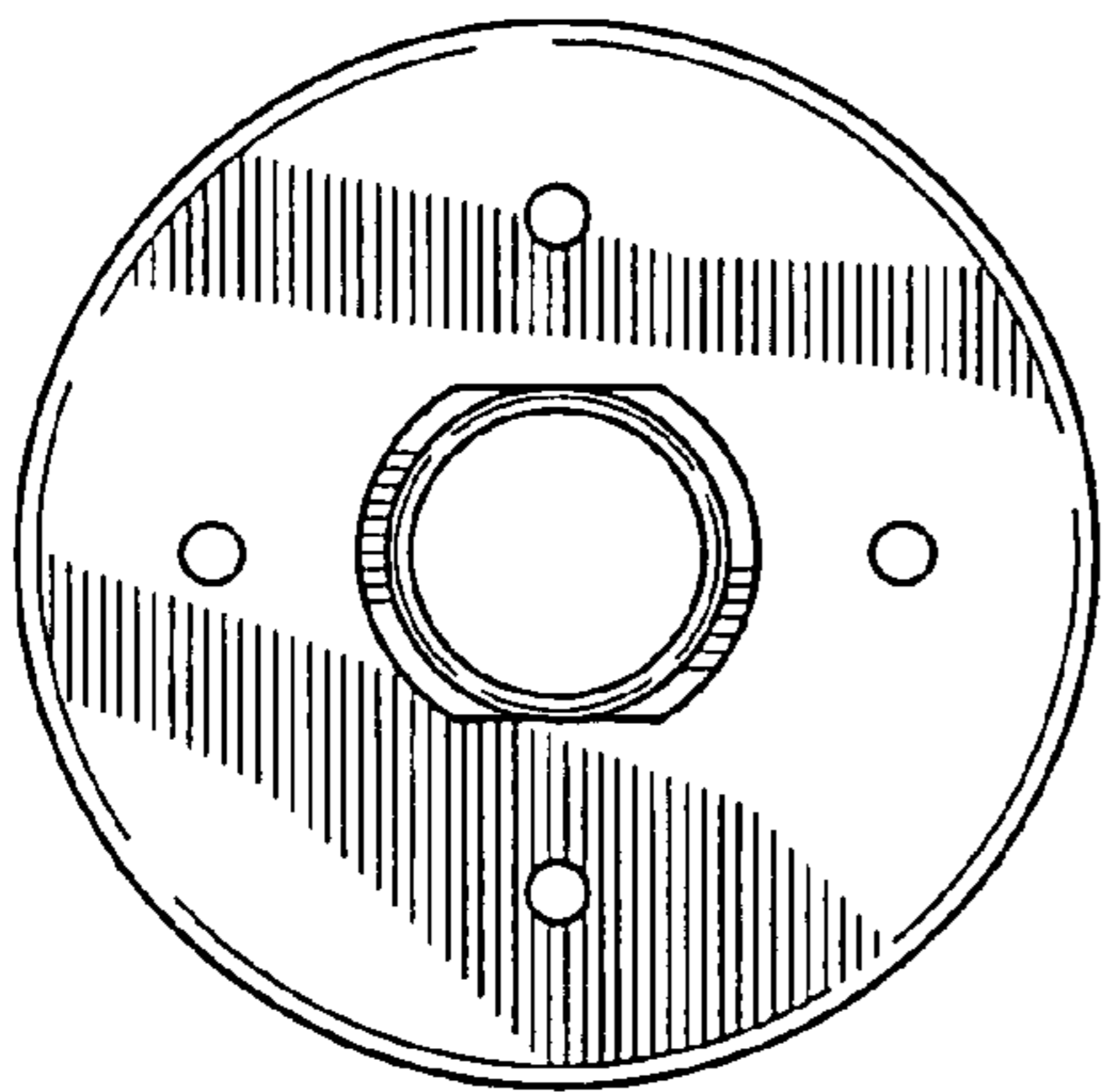
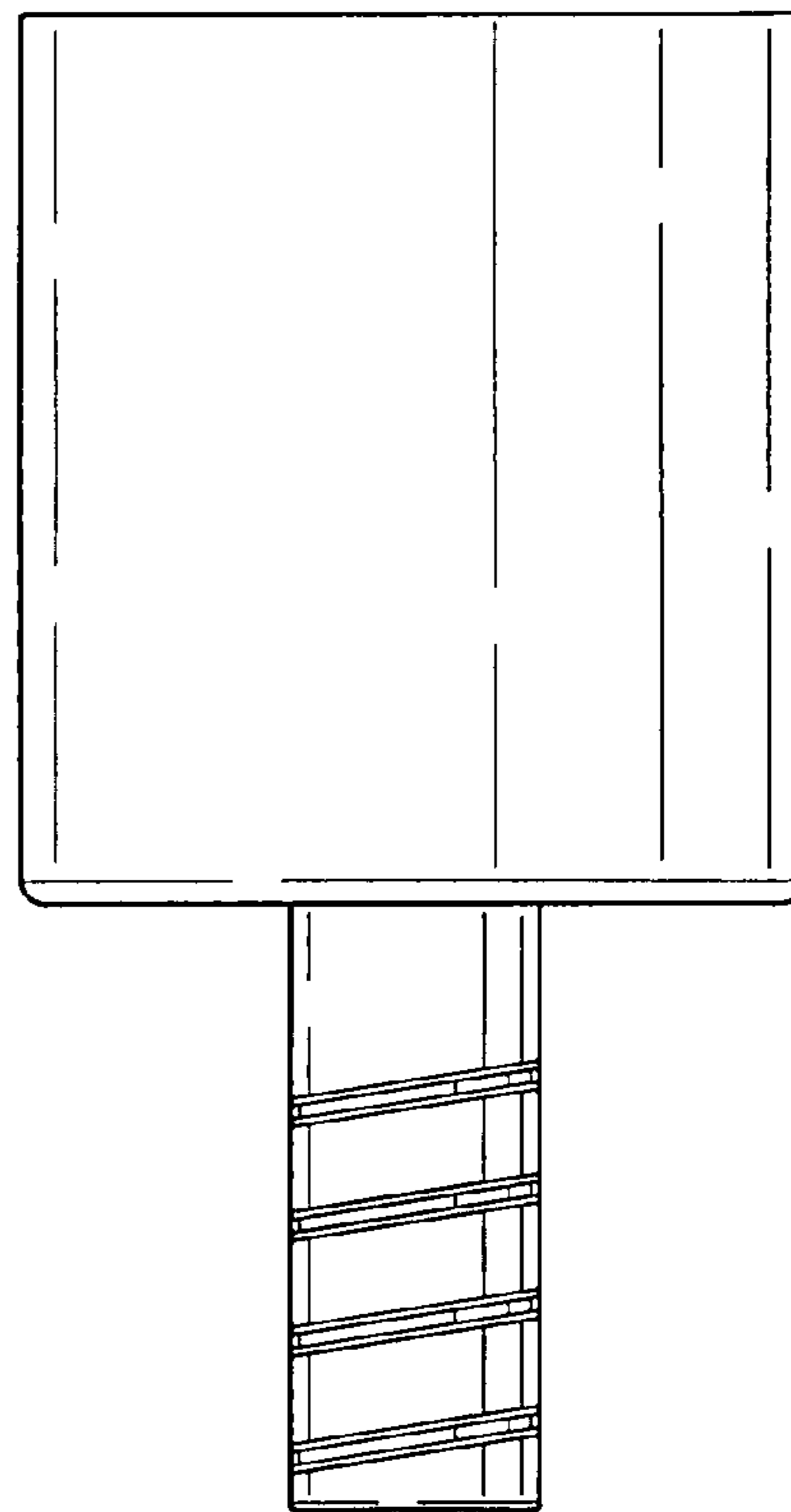


Fig. 7

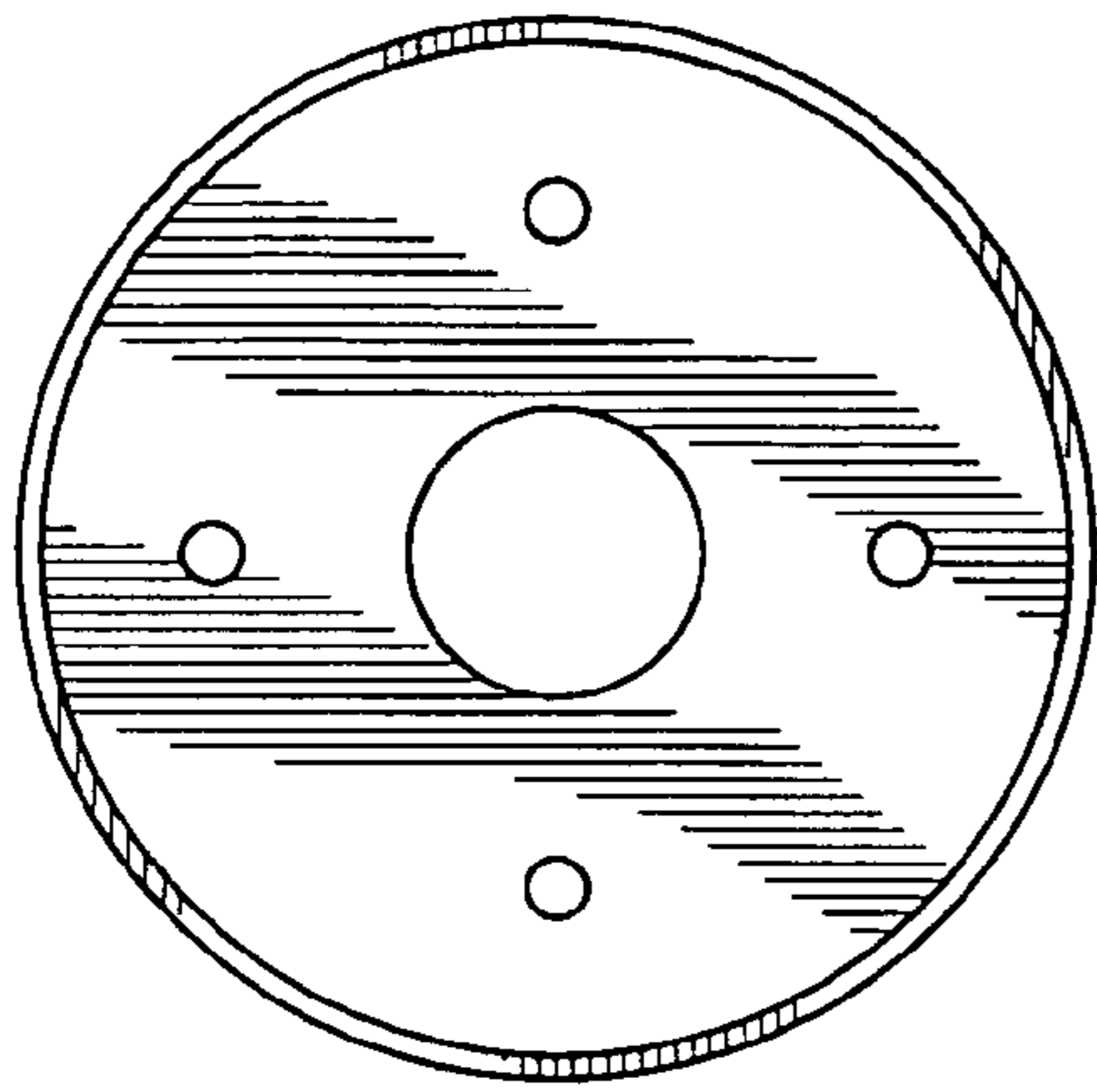


Fig. 3

Fig. 4

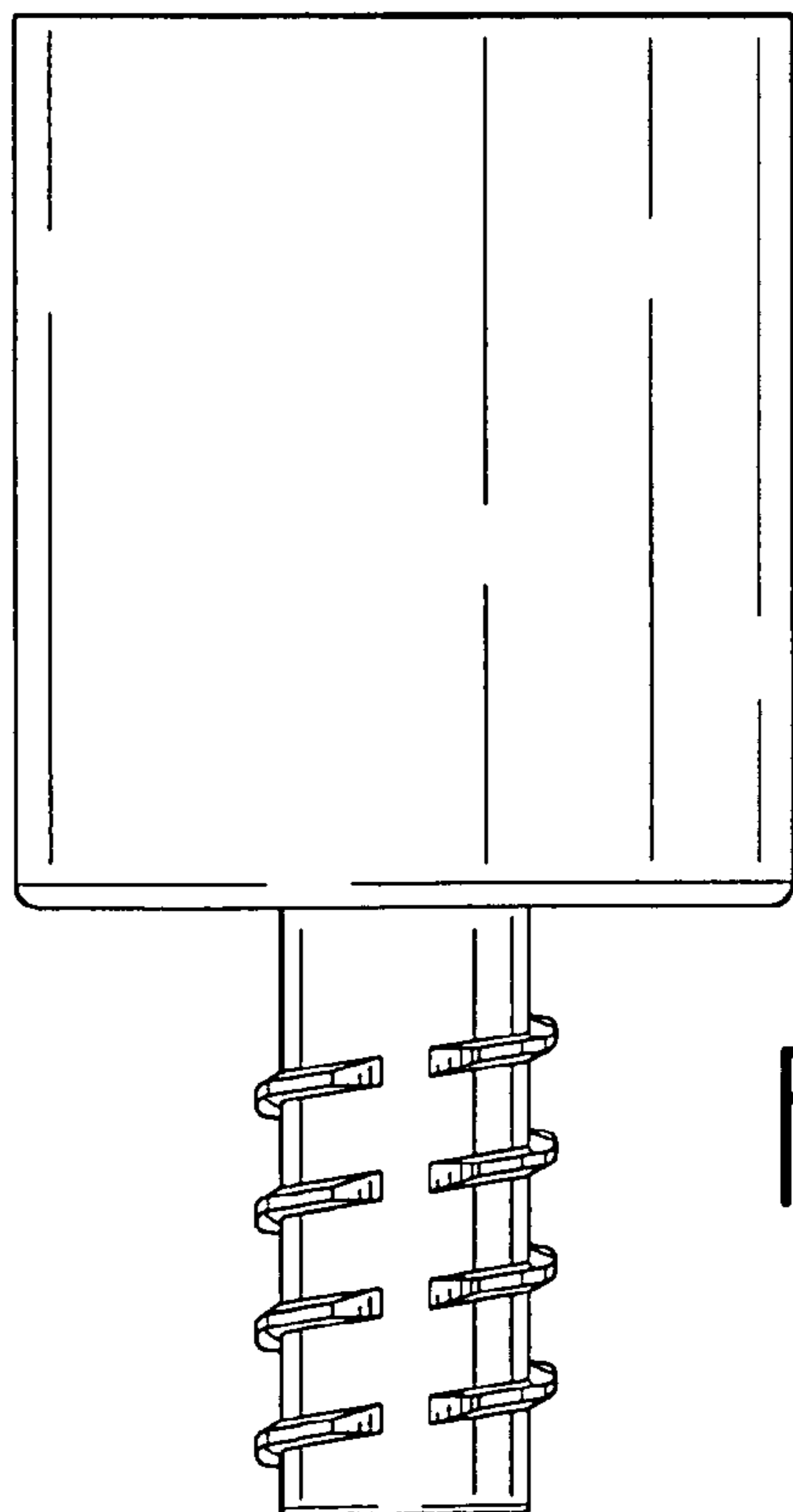
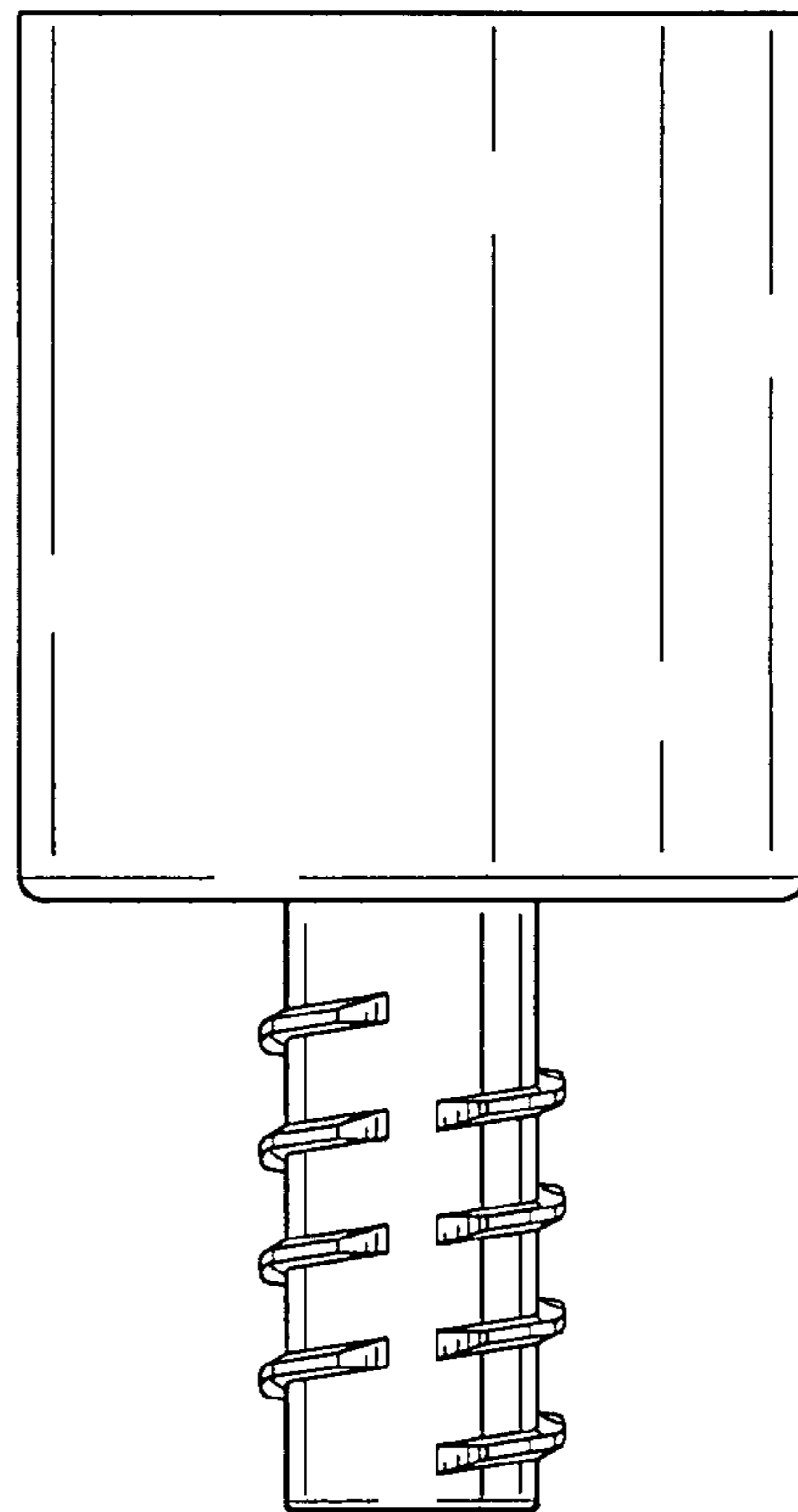


Fig. 5

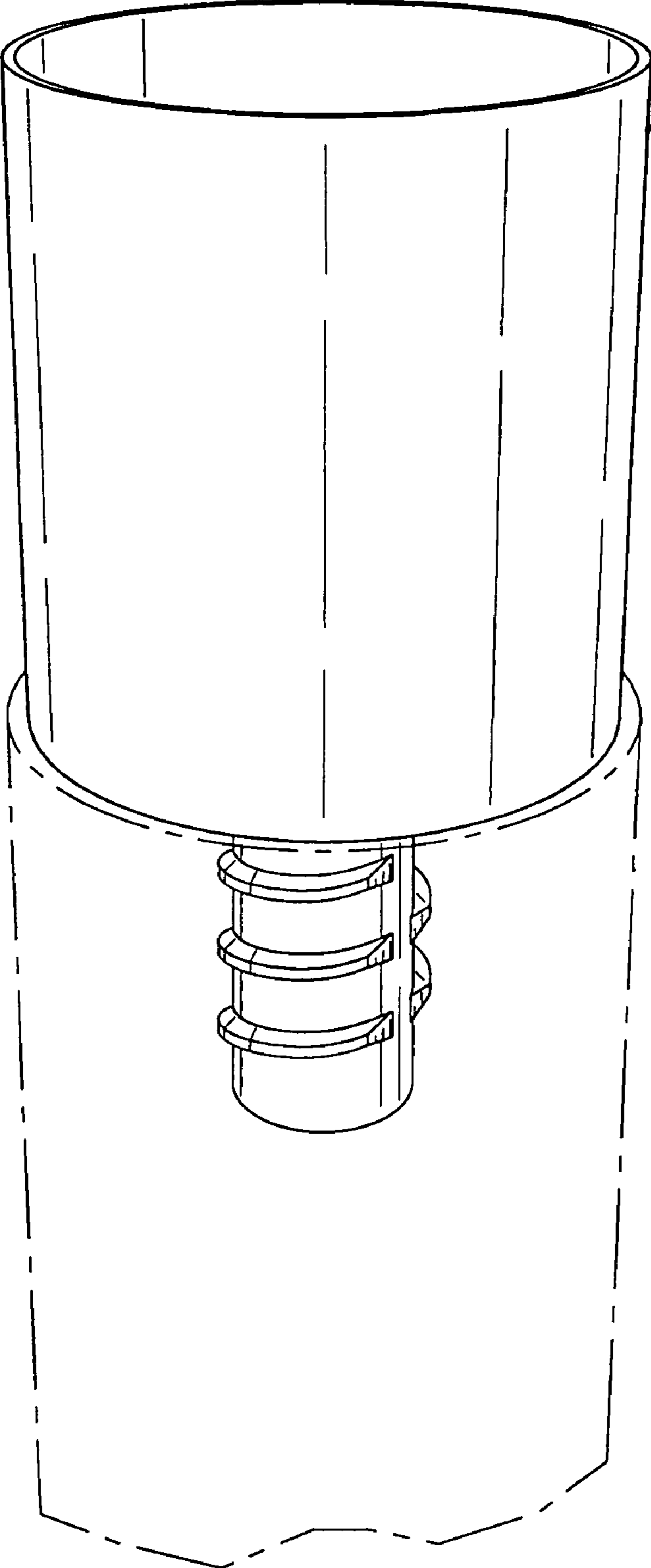


Fig. 8