



US00D618965S

(12) **United States Design Patent**
Voron et al.

(10) **Patent No.:** **US D618,965 S**
(45) **Date of Patent:** **** Jul. 6, 2010**

(54) **MOBILE COMBINED WARMER AND COOLER**

D268,559 S * 4/1983 Cornou D7/605
4,922,721 A * 5/1990 Robertson et al. 62/3.61
D381,870 S * 8/1997 Wedi D7/605
D465,133 S * 11/2002 Ben-Moshe D7/605

(75) Inventors: **Vincent Voron**, Duluth, GA (US); **Erika Gomez**, Atlanta, GA (US); **Brett Horn**, Durban (ZA); **Rupert Charles Thomas Shreeve**, London (GB); **Dominic Christopher Tooze**, Huntingdon (GB)

* cited by examiner

Primary Examiner—Terry A Wallace
(74) *Attorney, Agent, or Firm*—Michael J. Kline

(73) Assignee: **The Coca-Cola Company**, Atlanta, GA (US)

(57) **CLAIM**

We claim the ornamental design for a mobile combined warmer and cooler, as shown and described.

(**) Term: **14 Years**

(21) Appl. No.: **29/344,715**

DESCRIPTION

(22) Filed: **Oct. 2, 2009**

FIG. 1 is a top front left side perspective view of a mobile combined warmer and cooler showing our new design;

(51) **LOC (9) Cl.** **07-01**

FIG. 2 is a front elevational view thereof;

(52) **U.S. Cl.** **D7/605; D6/397; D15/79**

FIG. 3 is a back elevational view thereof;

(58) **Field of Classification Search** D7/605,

FIG. 4 is a right side elevational view thereof;

D7/629, 601, 323, 327; D15/79, 81, 89;
D6/396, 397, 432; 62/371, 372, 3.64, 3.1,
62/3.2, 3.6, 3.7, 3.62, 457.1, 457.7

FIG. 5 is a left side elevational view thereof;

See application file for complete search history.

FIG. 6 is a top plan view thereof; and,

FIG. 7 is a bottom plan view thereof.

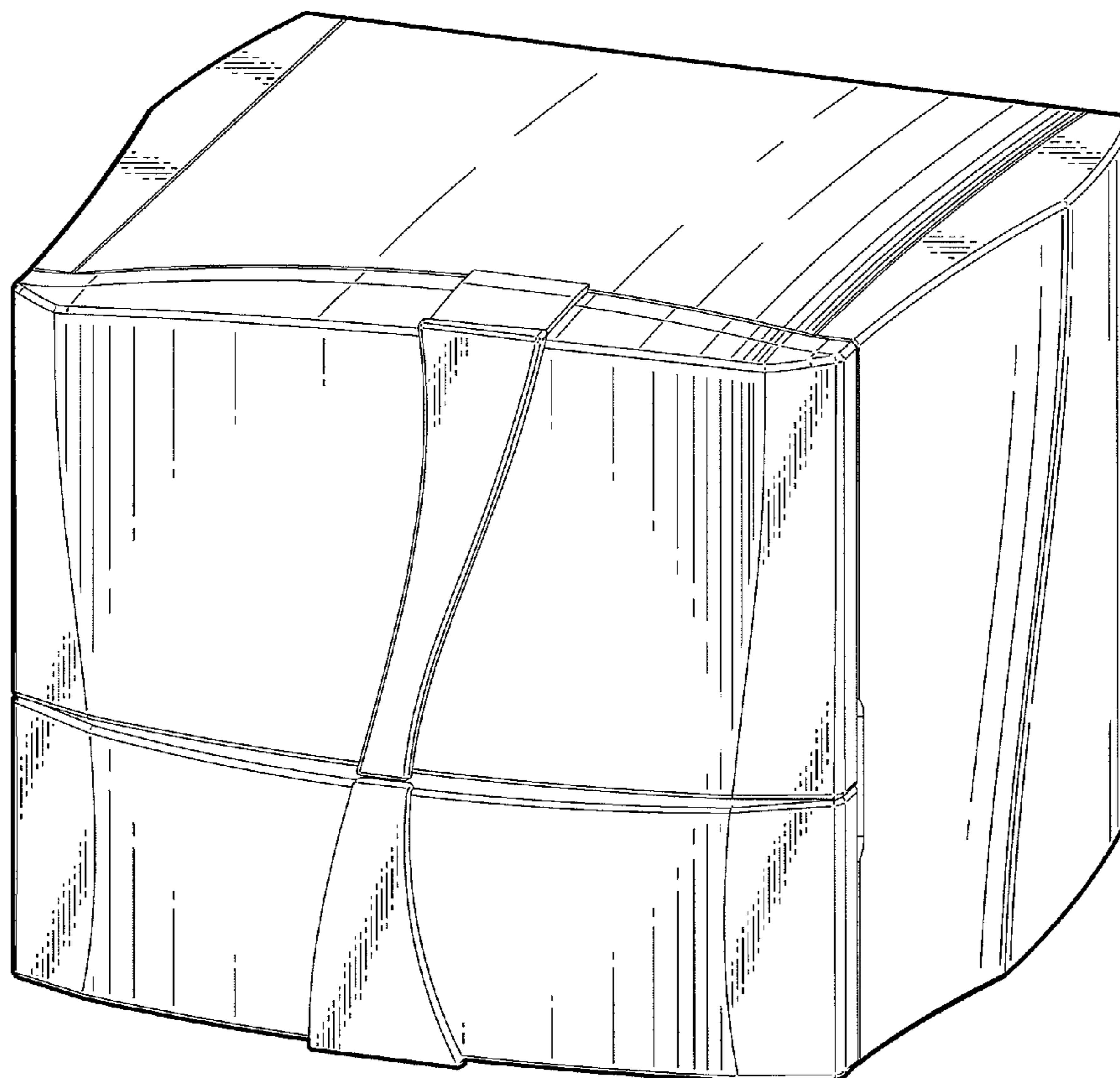
The broken lines in the drawings are for illustrative purposes only and form no part of the claimed design.

(56) **References Cited**

U.S. PATENT DOCUMENTS

3,069,869 A * 12/1962 Mueller 62/371

1 Claim, 7 Drawing Sheets



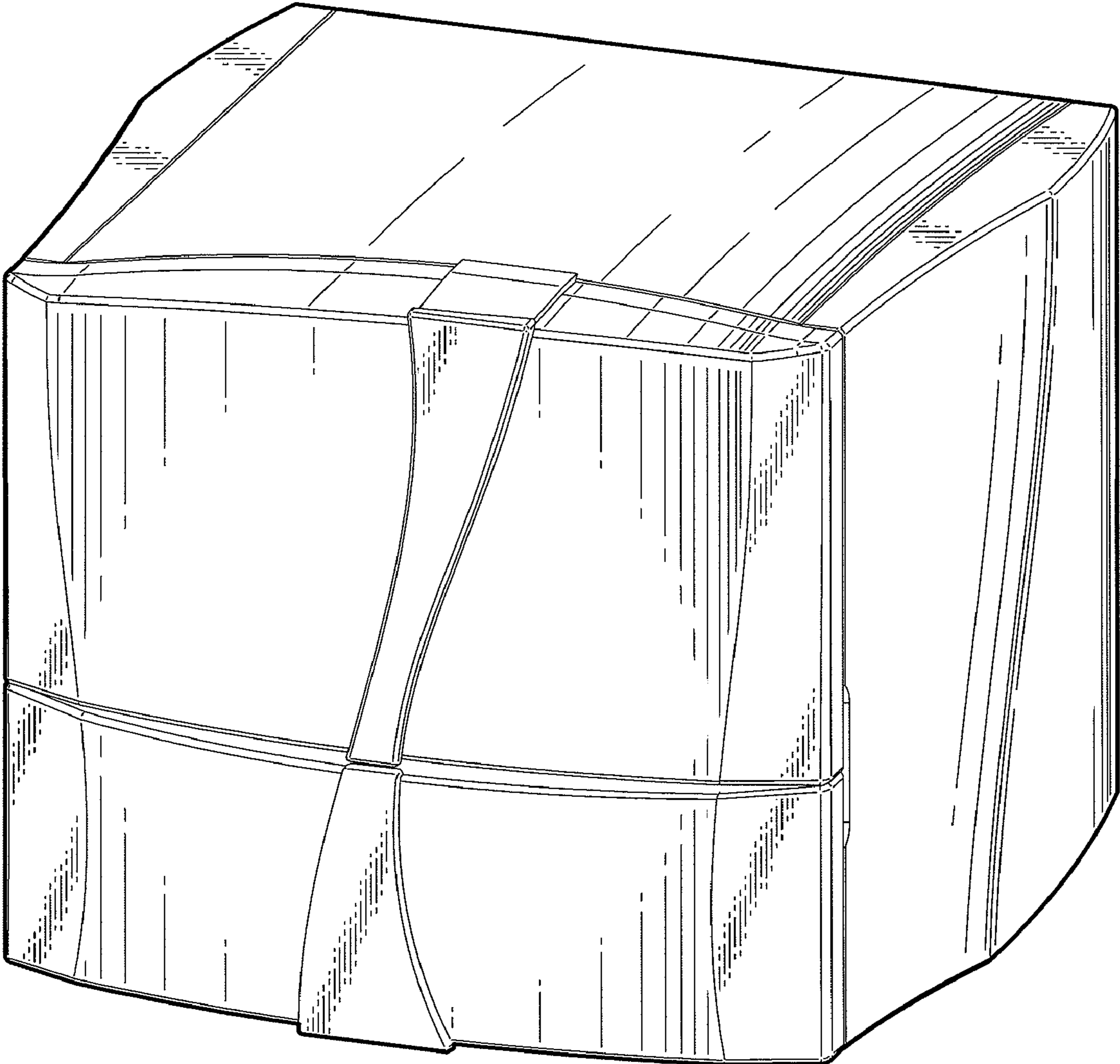


FIG. 1

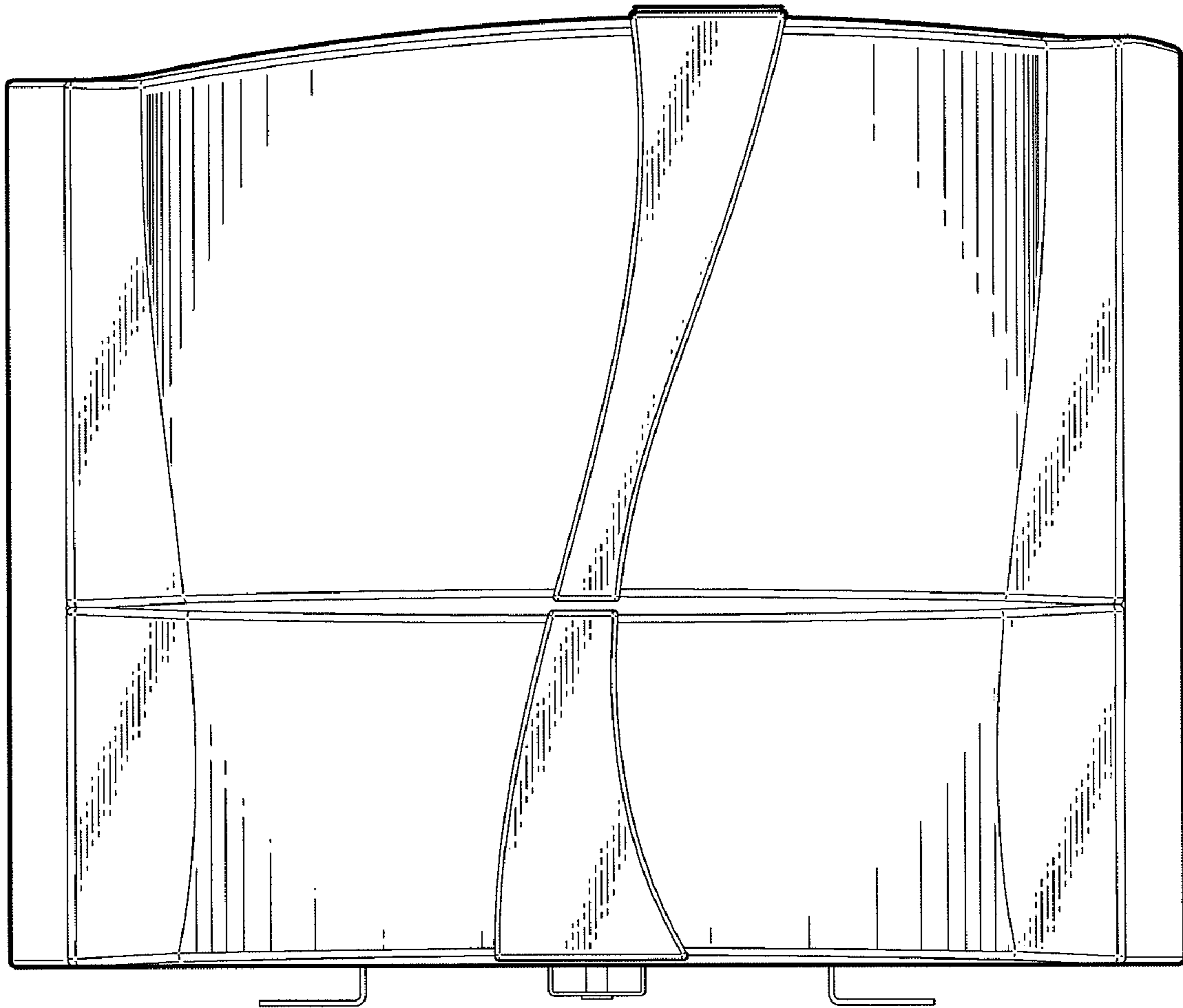


FIG. 2

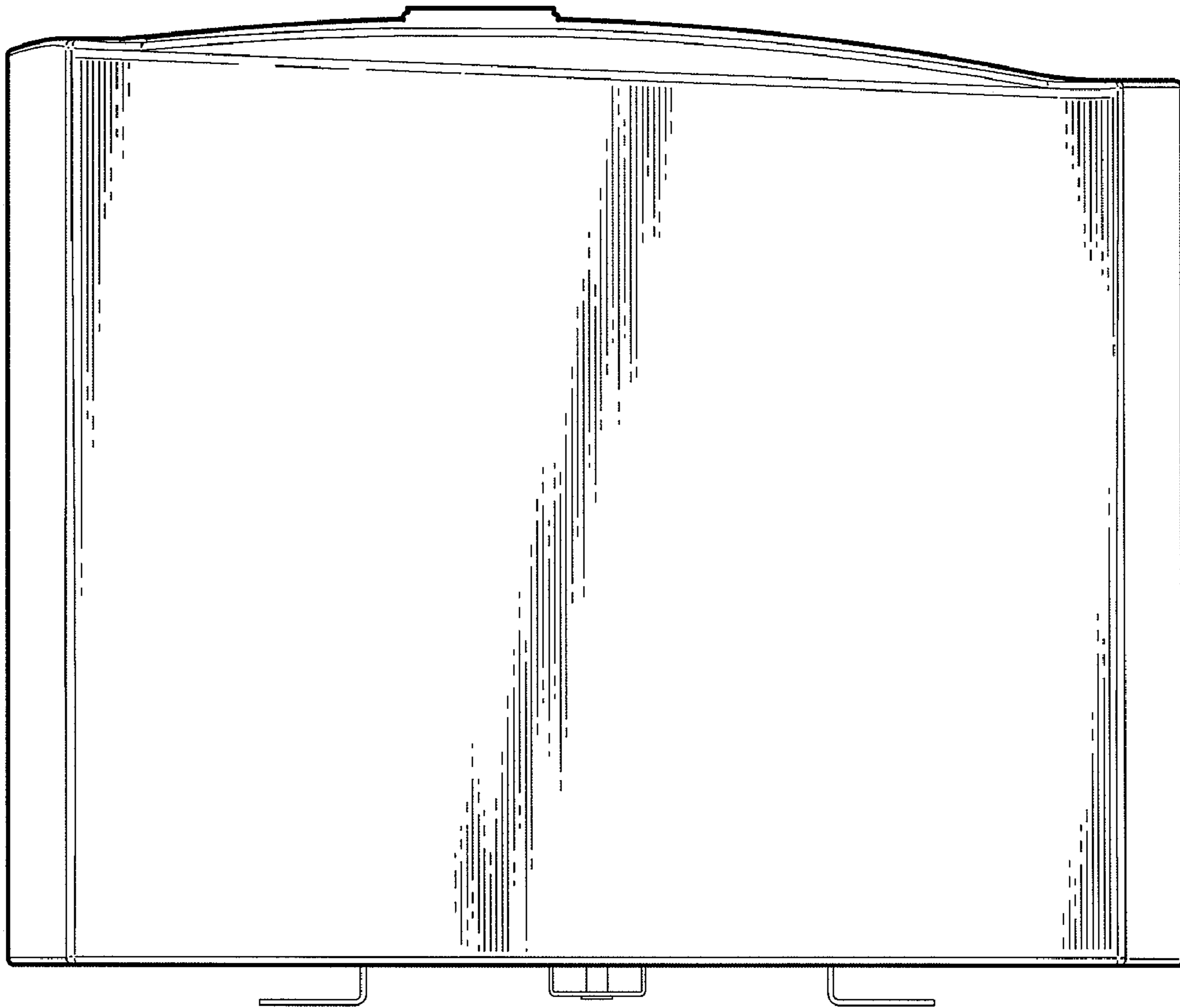


FIG. 3

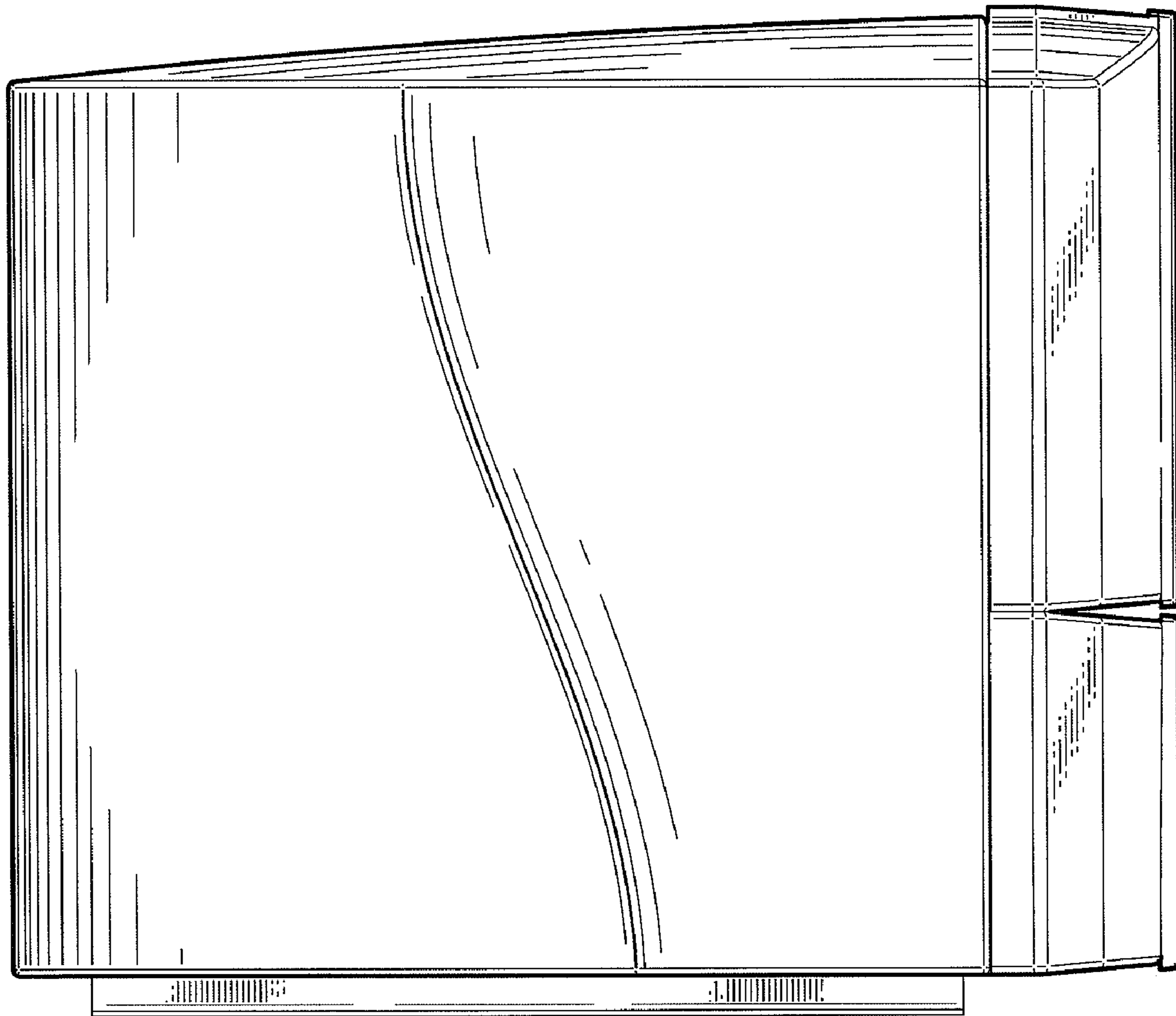


FIG. 4

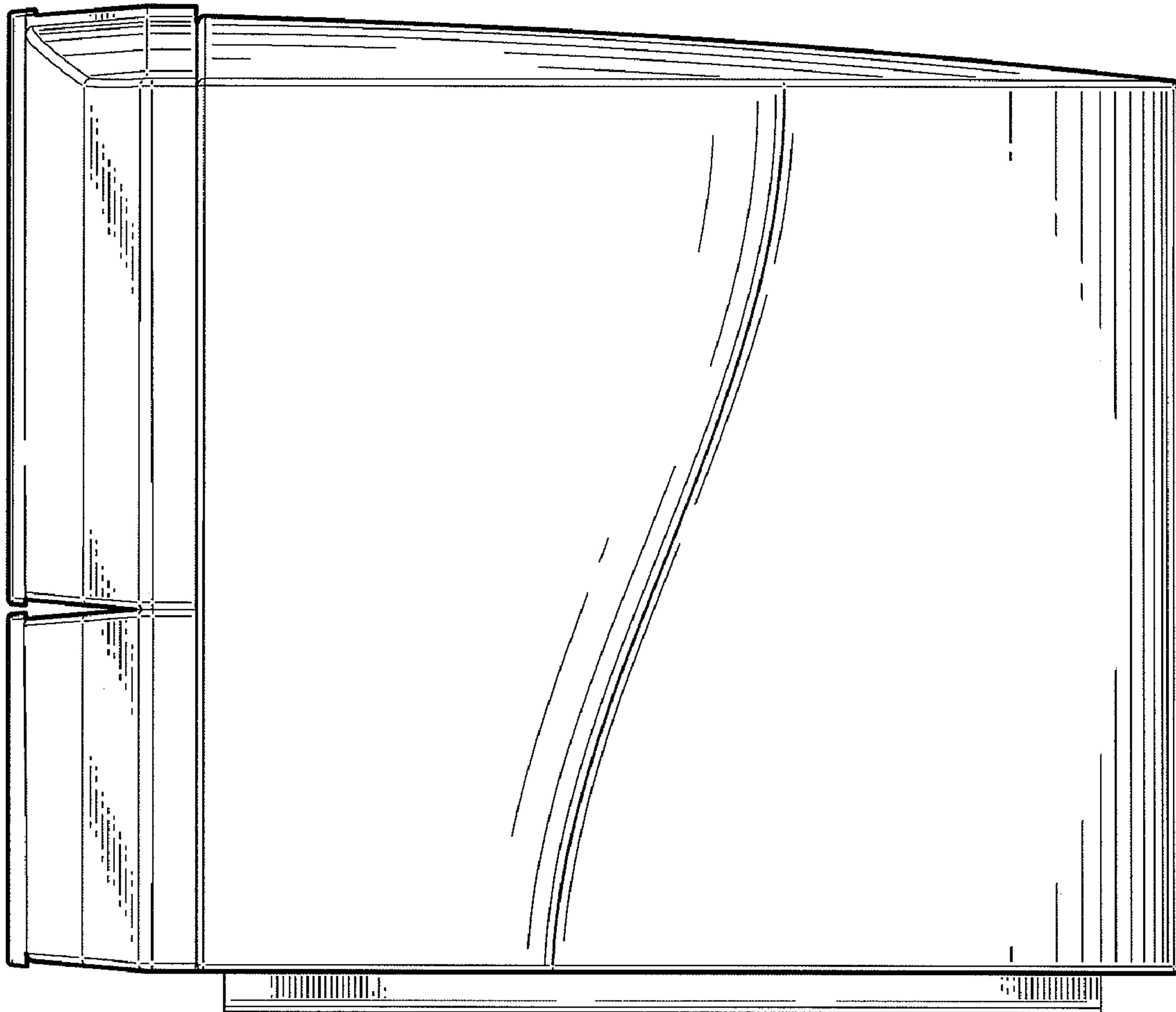


FIG. 5

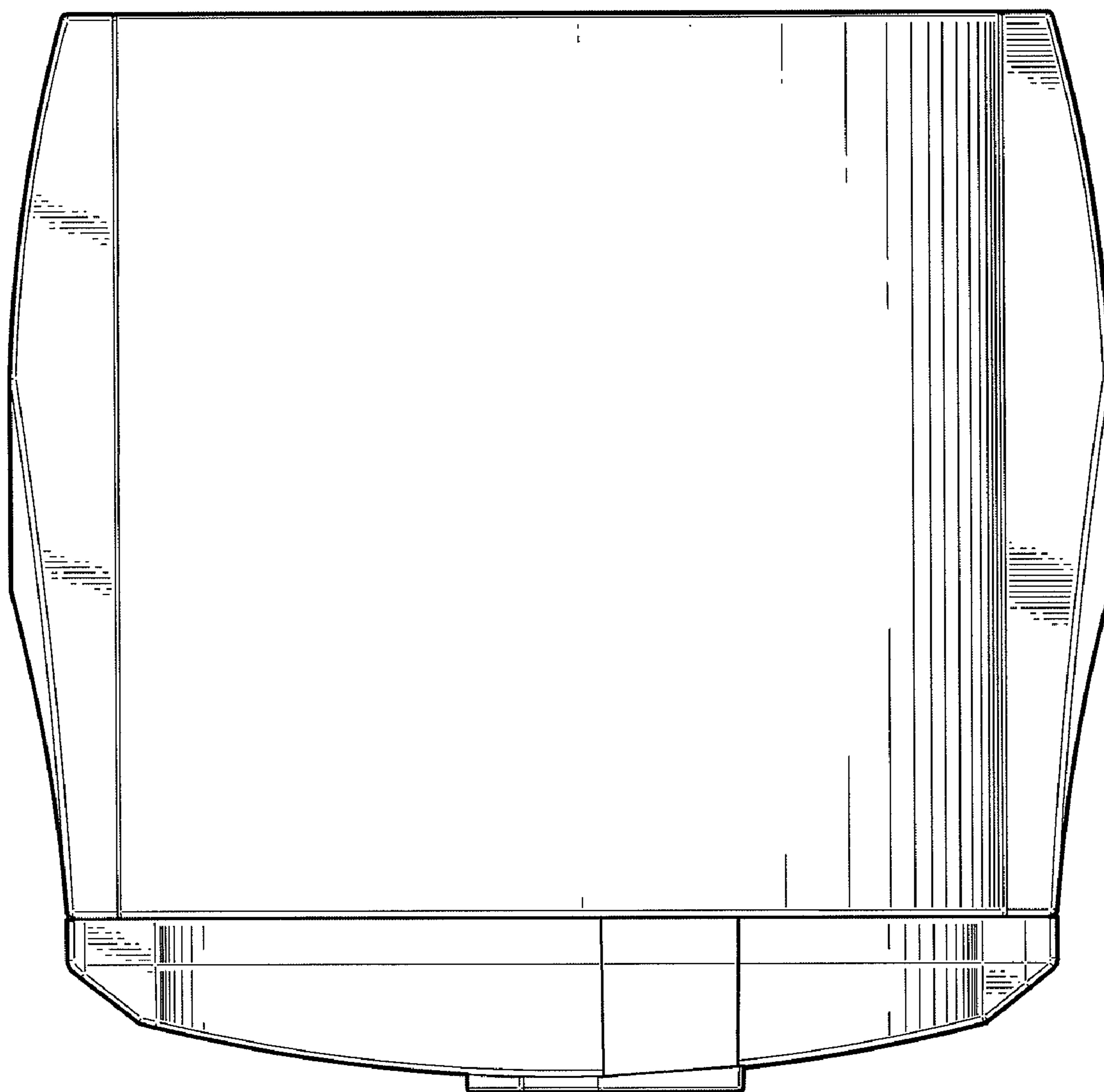


FIG. 6

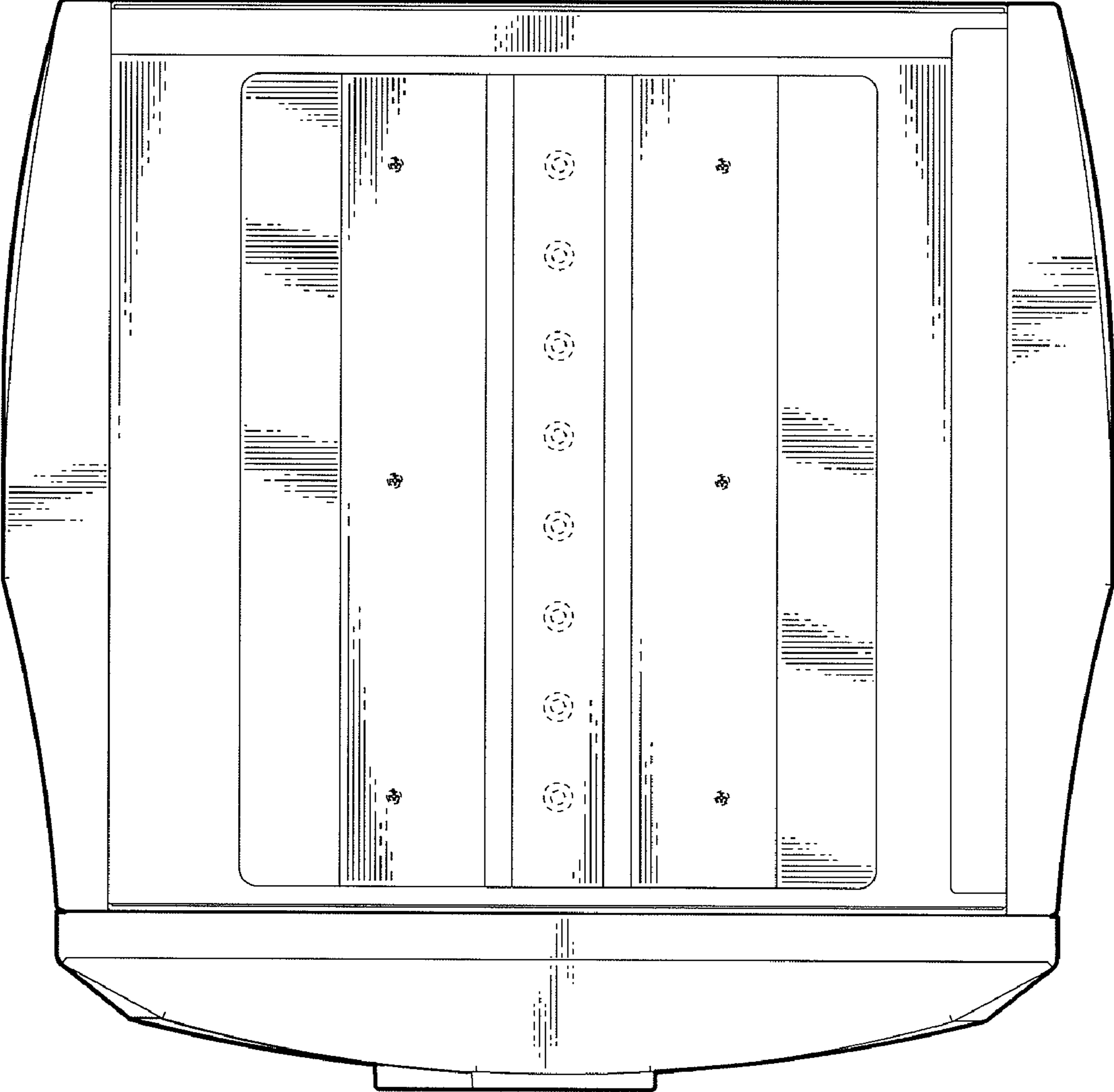


FIG. 7