



US00D618960S

(12) **United States Design Patent**  
**Chafai et al.**

(10) **Patent No.:** **US D618,960 S**  
(45) **Date of Patent:** **\*\* Jul. 6, 2010**

(54) **SIDE HANDLE FOR COOKING UTENSIL**

(75) Inventors: **Eloi Chafai**, Montreuil-sous-Bois (FR);  
**Jean-François Dingjian**,  
Montreuil-sous-Bois (FR)

(73) Assignee: **Tefal**, Rumilly (FR)

(\*\*) Term: **14 Years**

(21) Appl. No.: **29/351,674**

(22) Filed: **Dec. 9, 2009**

(30) **Foreign Application Priority Data**

Jun. 9, 2009 (FR) ..... 09/2800

(51) **LOC (9) Cl.** ..... **07-02**

(52) **U.S. Cl.** ..... **D7/394**

(58) **Field of Classification Search** ..... D7/354–361,  
D7/391, 393, 394, 395, 536; D8/107, 307,  
D8/300, 316, 317, 320; 220/212.5, 573.1–573.5,  
220/752, 753, 755, 756, 759, 771, 912; 16/110.1,  
16/402, 410, 412, 414, 417, 433, 441–443;  
D3/318; D4/129; D9/434, 531; D32/34  
See application file for complete search history.

(56) **References Cited**

**U.S. PATENT DOCUMENTS**

- D207,835 S \* 6/1967 Dexter ..... D8/316
- D218,550 S \* 9/1970 Friedman ..... D8/307
- 3,661,296 A \* 5/1972 Hamer ..... 220/755
- D252,657 S \* 8/1979 Young ..... D8/316
- D257,524 S \* 11/1980 Heinrich ..... D7/536
- D259,238 S \* 5/1981 Schenck, III ..... D8/307
- D262,551 S \* 1/1982 Argandona ..... D8/307
- D269,253 S \* 6/1983 Gagnon ..... D9/434
- D277,620 S \* 2/1985 Parrochia ..... D8/316
- D344,431 S \* 2/1994 Welch ..... D7/394
- D380,344 S \* 7/1997 Laib ..... D7/394

- D391,444 S \* 3/1998 Munari ..... D7/394
- D412,084 S \* 7/1999 Lillelund et al. .... D7/394
- D419,853 S \* 2/2000 Workman et al. .... D8/317
- D442,023 S \* 5/2001 Chih-Chien ..... D7/394
- D444,345 S \* 7/2001 Rae ..... D7/394
- D451,779 S \* 12/2001 du Sartel ..... D8/107
- D486,647 S \* 2/2004 Nordstrom et al. .... D3/318
- D498,639 S \* 11/2004 Brassat ..... D7/360
- D505,268 S \* 5/2005 Potempa ..... D4/129
- D528,856 S \* 9/2006 Pascal ..... D7/394
- D568,677 S \* 5/2008 Stattmann ..... D7/360
- D568,678 S \* 5/2008 Stattmann ..... D7/360
- D573,004 S \* 7/2008 Bogdan ..... D8/316
- D573,033 S \* 7/2008 Bogdan ..... D8/316

\* cited by examiner

*Primary Examiner*—Cynthia M Chin

(74) *Attorney, Agent, or Firm*—Young & Thompson

(57) **CLAIM**

The ornamental design for a side handle for cooking utensil, as shown and described.

**DESCRIPTION**

FIG. 1 is a front elevational view of a side handle for cooking utensil showing our new design;

FIG. 2 is a rear elevational view thereof;

FIG. 3 is a view thereof from the left side of FIG. 1, the right side view being a mirror image thereof;

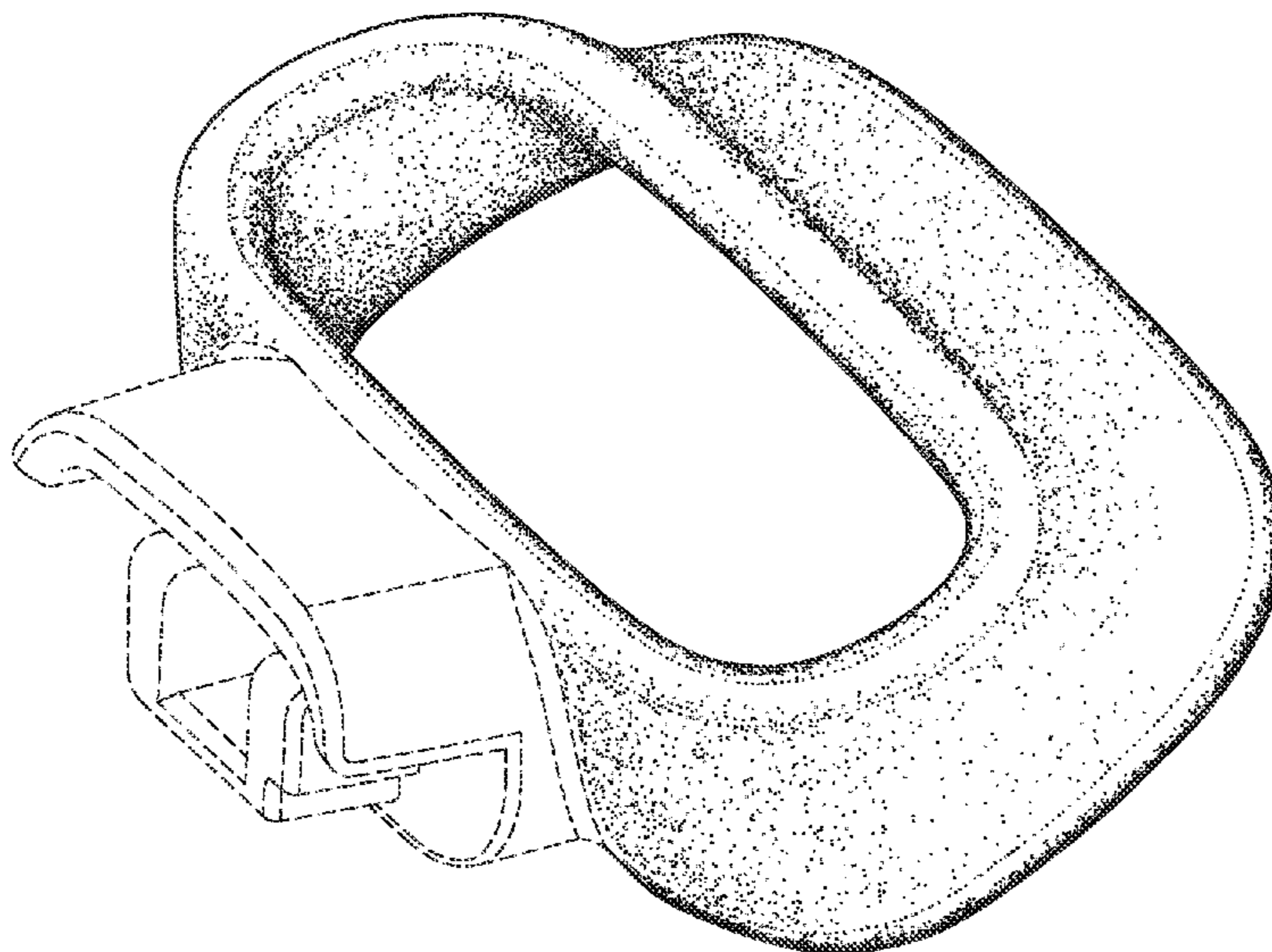
FIG. 4 is a top plan view thereof;

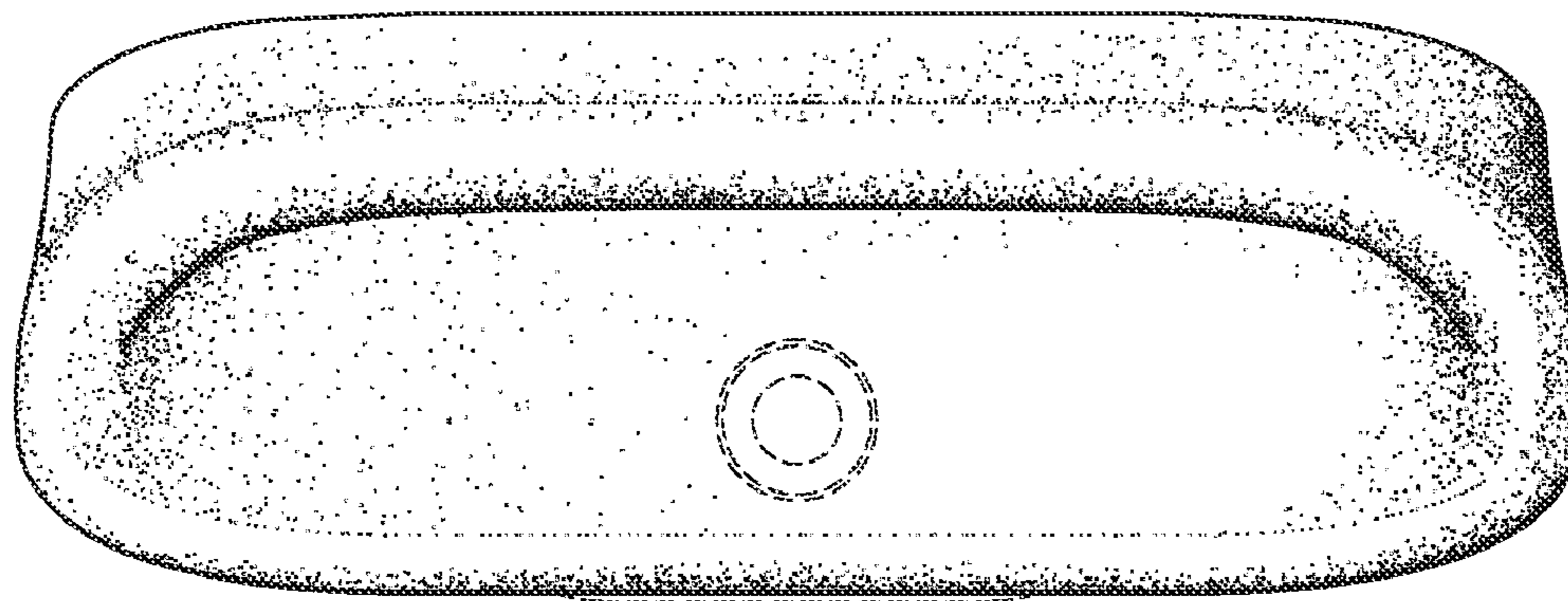
FIG. 5 is a bottom plan view thereof; and,

FIG. 6 is a top, rear and left side perspective view thereof.

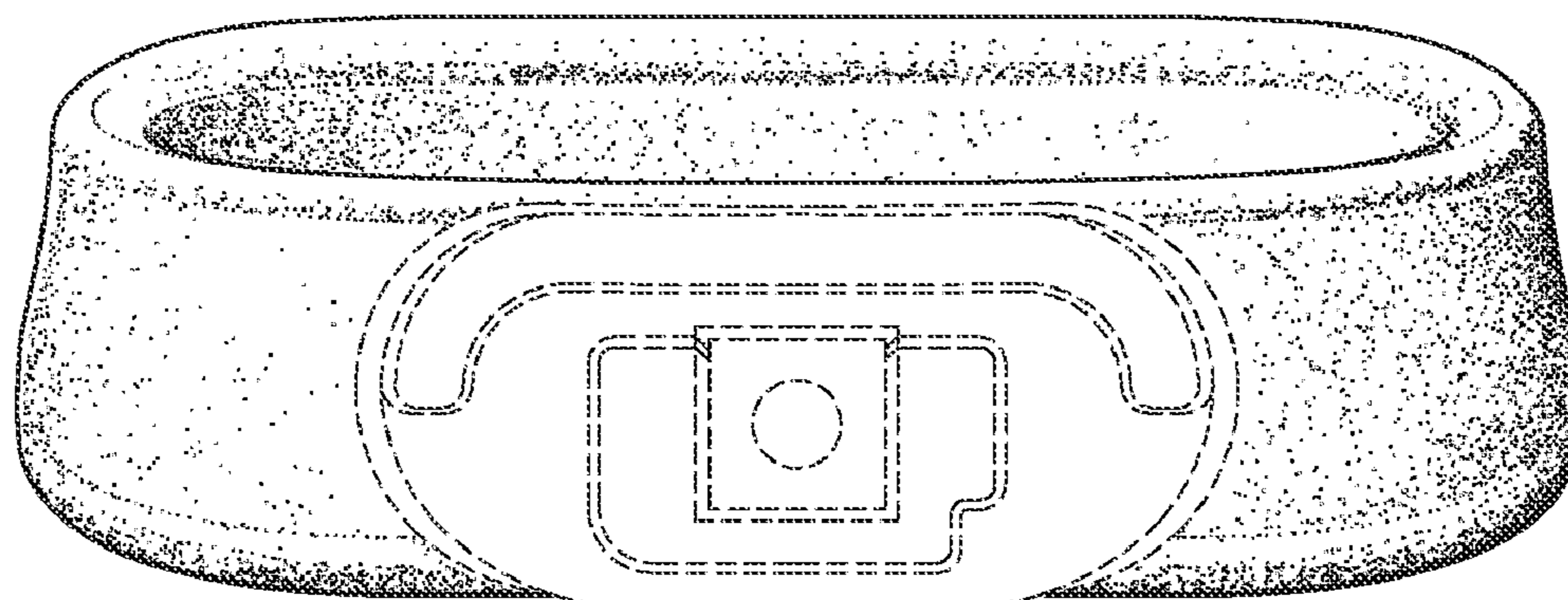
The broken lines immediately adjacent the shaded areas represent the bounds of the claim and all other broken lines represent unclaimed portions of the design. None of the broken lines form a part of the claimed design.

**1 Claim, 4 Drawing Sheets**

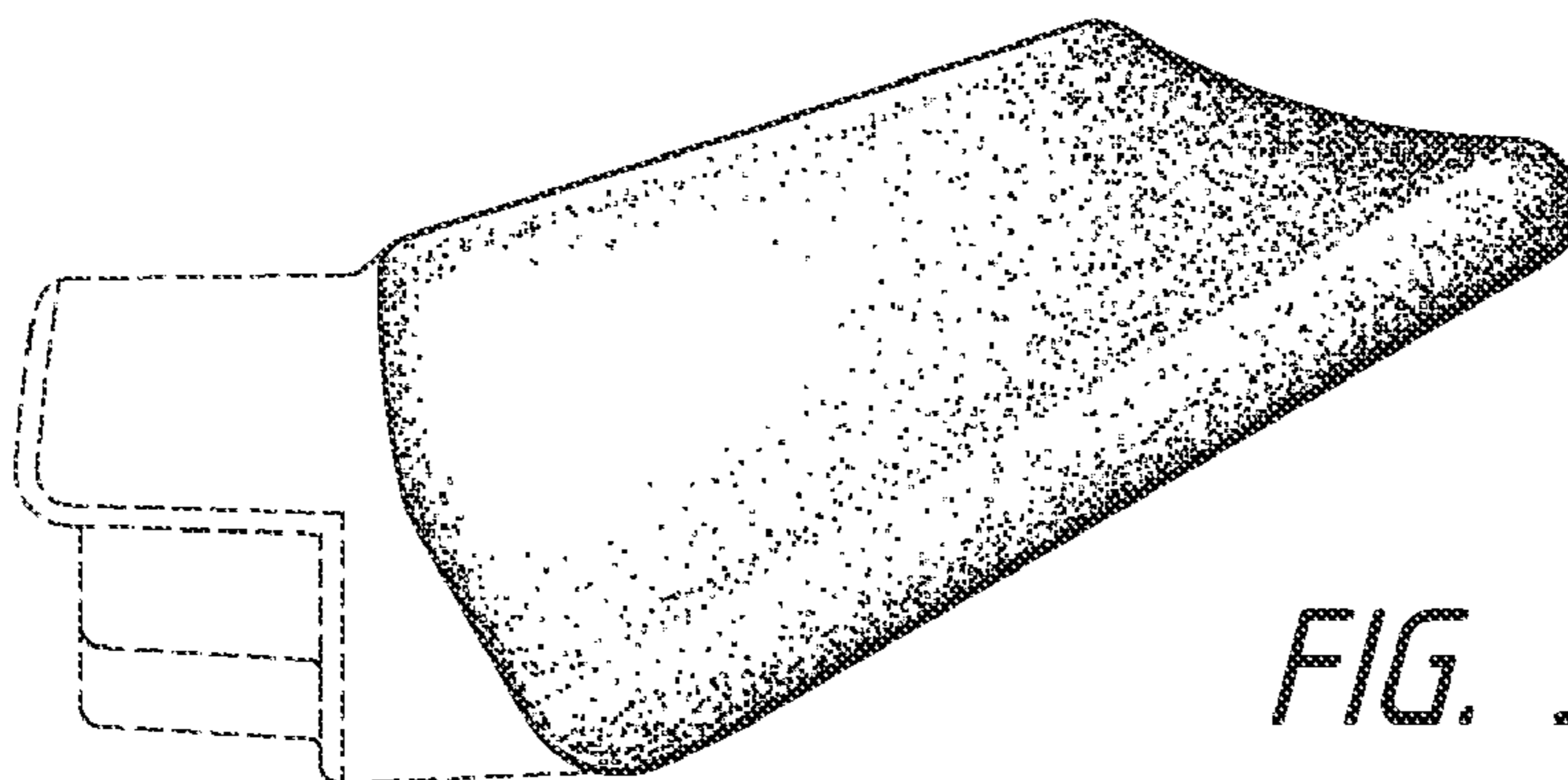




*FIG. 1*



*FIG. 2*



*FIG. 3*



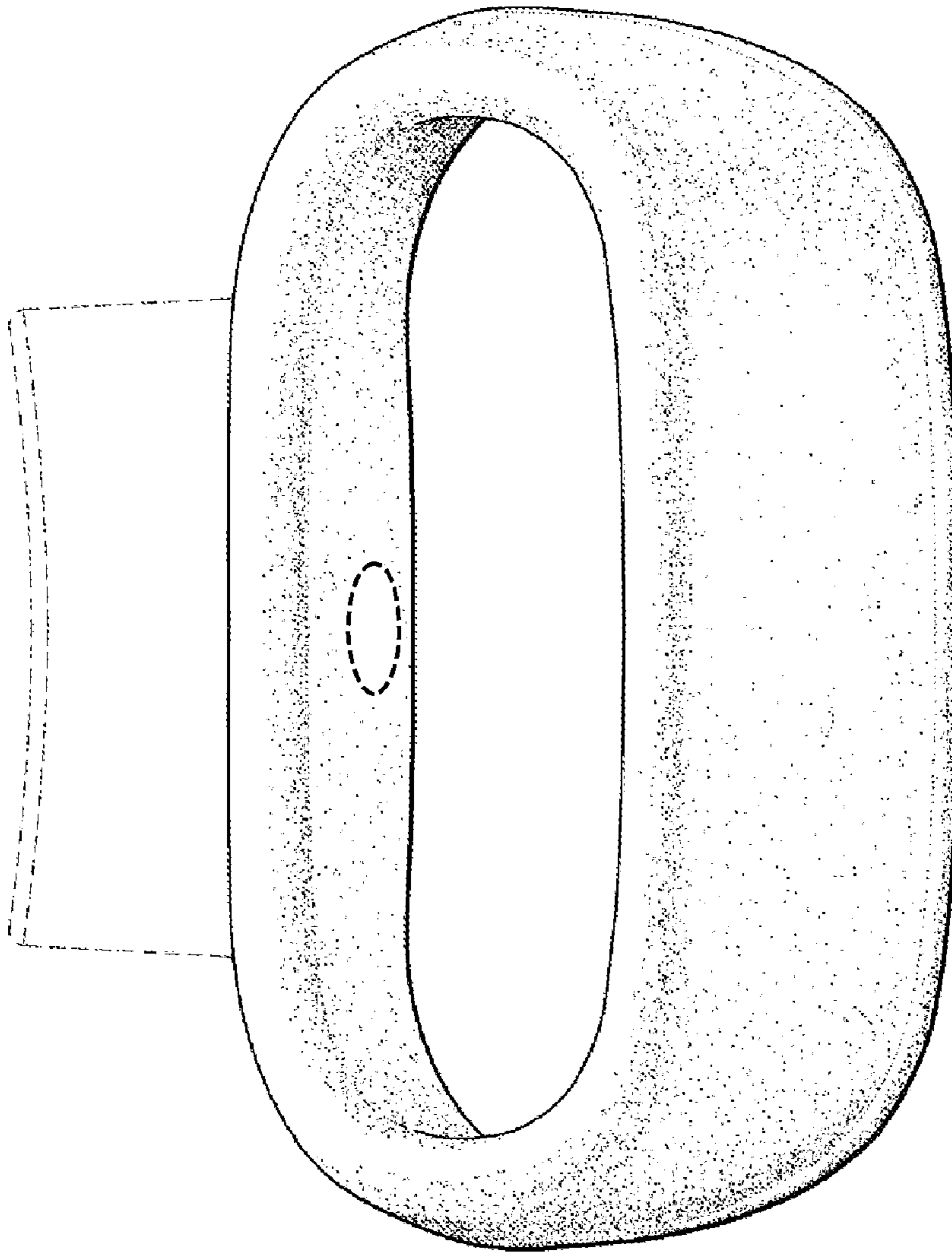
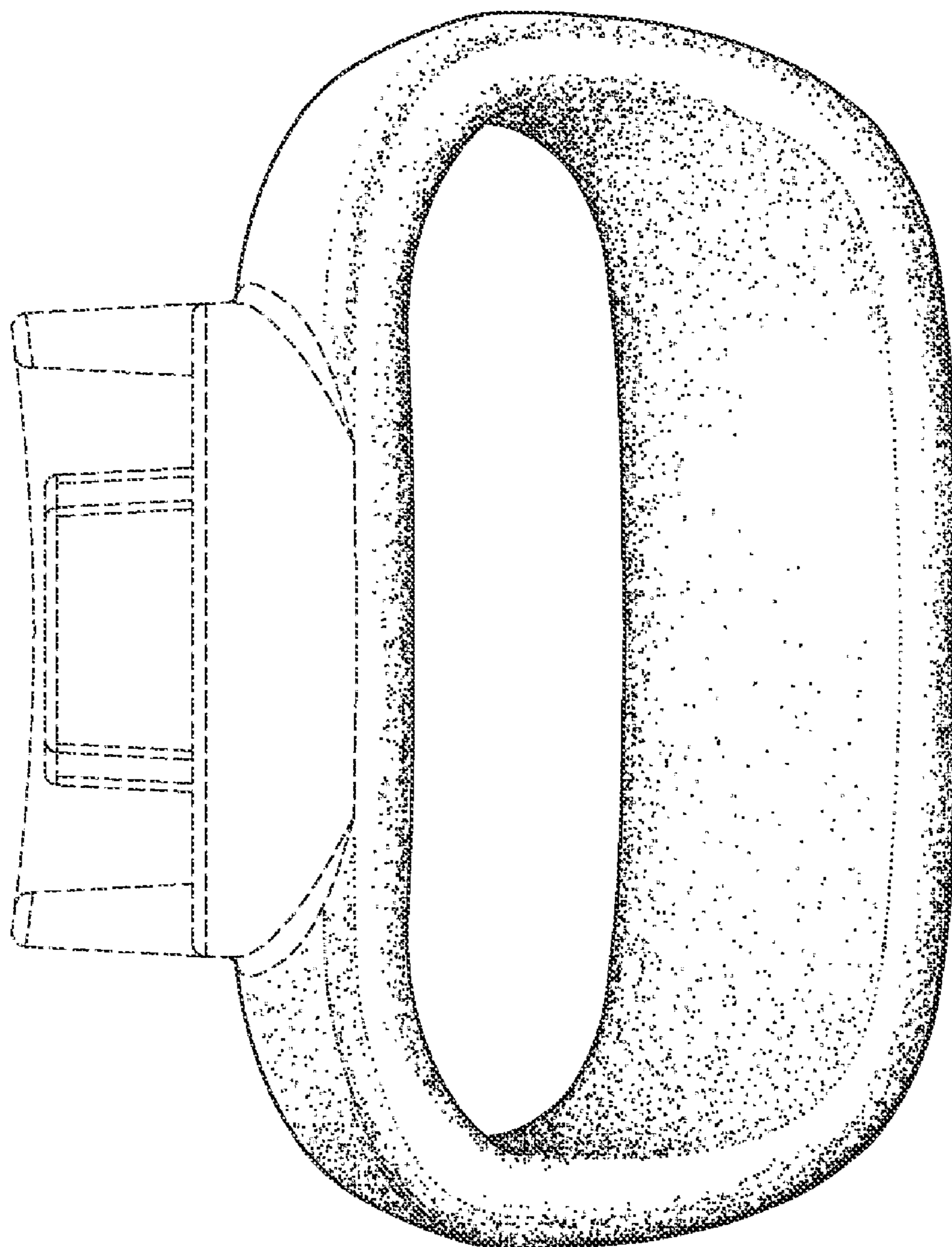
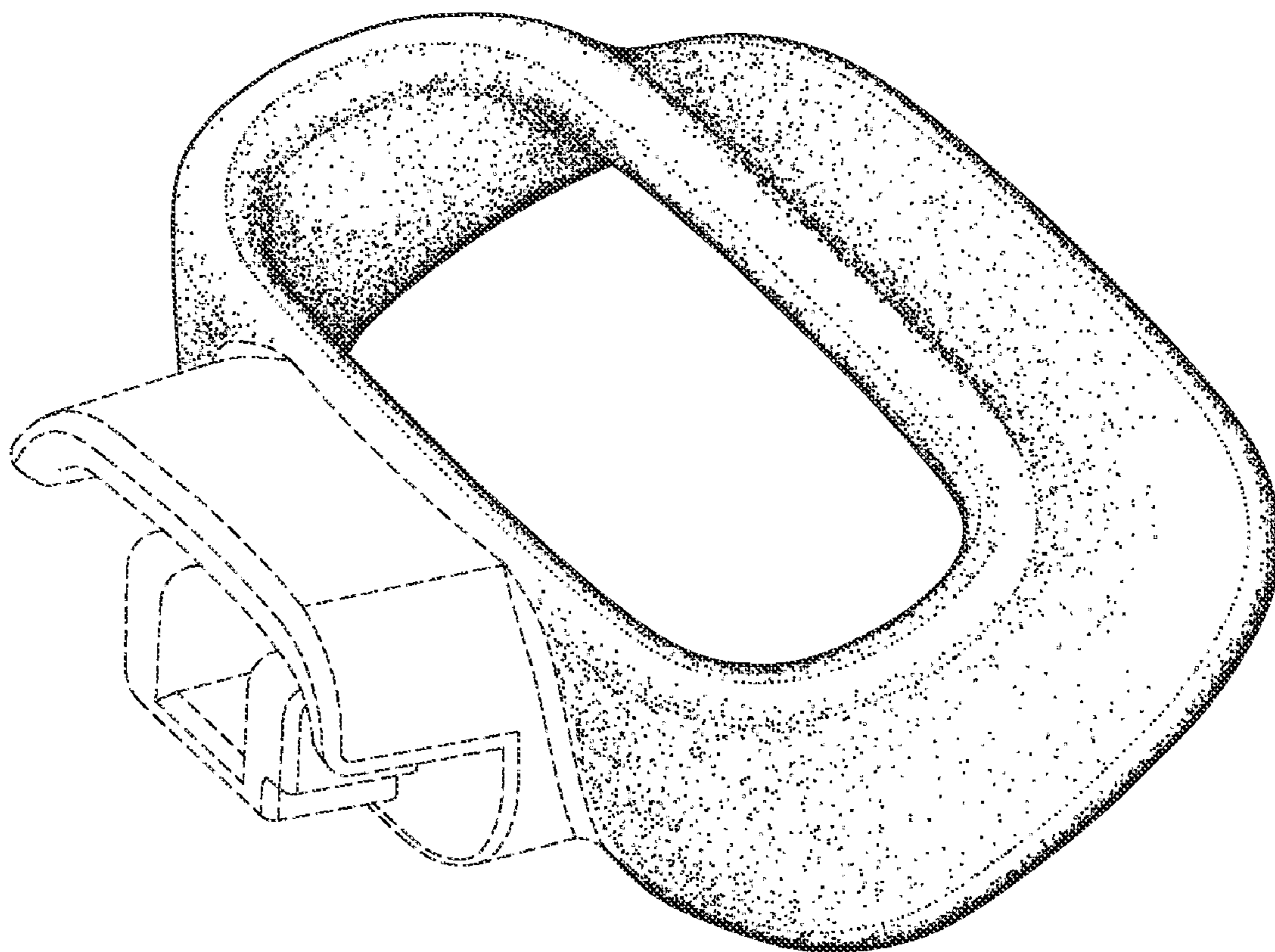


FIG. 4



*FIG. 5*



*FIG. 6*