



US00D618954S

(12) **United States Design Patent**
Antoun et al.

(10) **Patent No.:** **US D618,954 S**
(45) **Date of Patent:** **** Jul. 6, 2010**

- (54) **FOOD PAN**
- (75) Inventors: **Gwendolyn Lee Antoun**, Edmond, OK (US); **Alan Taylor Pepin**, St. Cloud, FL (US)
- (73) Assignee: **Carlisle FoodService Products, Incorporated**, Oklahoma City, OK (US)
- (**) Term: **14 Years**
- (21) Appl. No.: **29/356,563**
- (22) Filed: **Feb. 26, 2010**
- (51) **LOC (9) Cl.** **07-02**
- (52) **U.S. Cl.** **D7/354**
- (58) **Field of Classification Search** D7/323, D7/354-361, 392.1, 402, 409, 505, 513, 538-548, D7/550.1, 551.1, 552.1, 553.1, 553.4-553.8, D7/554.1, 554.3, 560, 566, 570, 586, 602, D7/624.1, 672; D9/414-416, 420-439, 446-447, D9/456, 606, 643, 745, 756; D11/156; D99/7; 99/324, 339, 340, 422-426, 428, 445; 206/519; 220/573.1-573.4, 574, 608, 645, 672-675, 220/769, 912; 249/117, 119, 122-127, 155-156, 249/160

See application file for complete search history.

(56) **References Cited**

U.S. PATENT DOCUMENTS

1,960,407	A	*	5/1934	Bothe	220/574
D174,831	S	*	5/1955	Nowak	D7/550.1
D178,162	S	*	6/1956	Ike	D11/156
D178,985	S	*	10/1956	Block	D7/545
D206,773	S	*	1/1967	Reny	D9/424
3,384,263	A	*	5/1968	Bernstein	206/519
D321,815	S	*	11/1991	Bowdler	D7/560
D380,349	S	*	7/1997	Indekeu	D7/602
D380,938	S	*	7/1997	Indekeu	D7/554.3
D381,560	S	*	7/1997	Indekeu	D7/538
D423,880	S	*	5/2000	Rashid	D7/545
D425,759	S	*	5/2000	Henry	D7/545
D472,430	S	*	4/2003	Scherer	D7/570

D486,701	S	*	2/2004	Kotsonis et al.	D7/672
D503,871	S	*	4/2005	Armer	D7/554.3
D504,283	S	*	4/2005	Armer	D7/554.3
D520,304	S	*	5/2006	Kilders	D7/566
D539,134	S	*	3/2007	Wallach	D9/416
D539,505	S	*	3/2007	White	D99/7
D540,624	S		4/2007	Wasserman et al.		
D541,591	S		5/2007	Wasserman		
D543,075	S	*	5/2007	Ablo	D7/566
D547,597	S	*	7/2007	Levy et al.	D7/354
D569,169	S		5/2008	Munson		
D569,690	S	*	5/2008	Schosser	D7/570
D575,586	S	*	8/2008	Schosser	D7/570
D575,590	S	*	8/2008	Ablo	D7/586
D579,767	S	*	11/2008	Wallach	D9/416
D596,893	S		7/2009	Tosdale et al.		
D597,371	S		8/2009	Tosdale et al.		
D613,108	S	*	4/2010	Tosdale et al.	D7/354

* cited by examiner

Primary Examiner—Caron Veynar
Assistant Examiner—Ricky Pham
(74) *Attorney, Agent, or Firm*—McAfee & Taft

(57) **CLAIM**

The ornamental design for a food pan, as shown and described.

DESCRIPTION

FIG. 1 is a top perspective view of an embodiment of the claimed design;

FIG. 2 is a top view thereof;

FIG. 3 is a bottom view thereof;

FIG. 4 is a left-side view thereof;

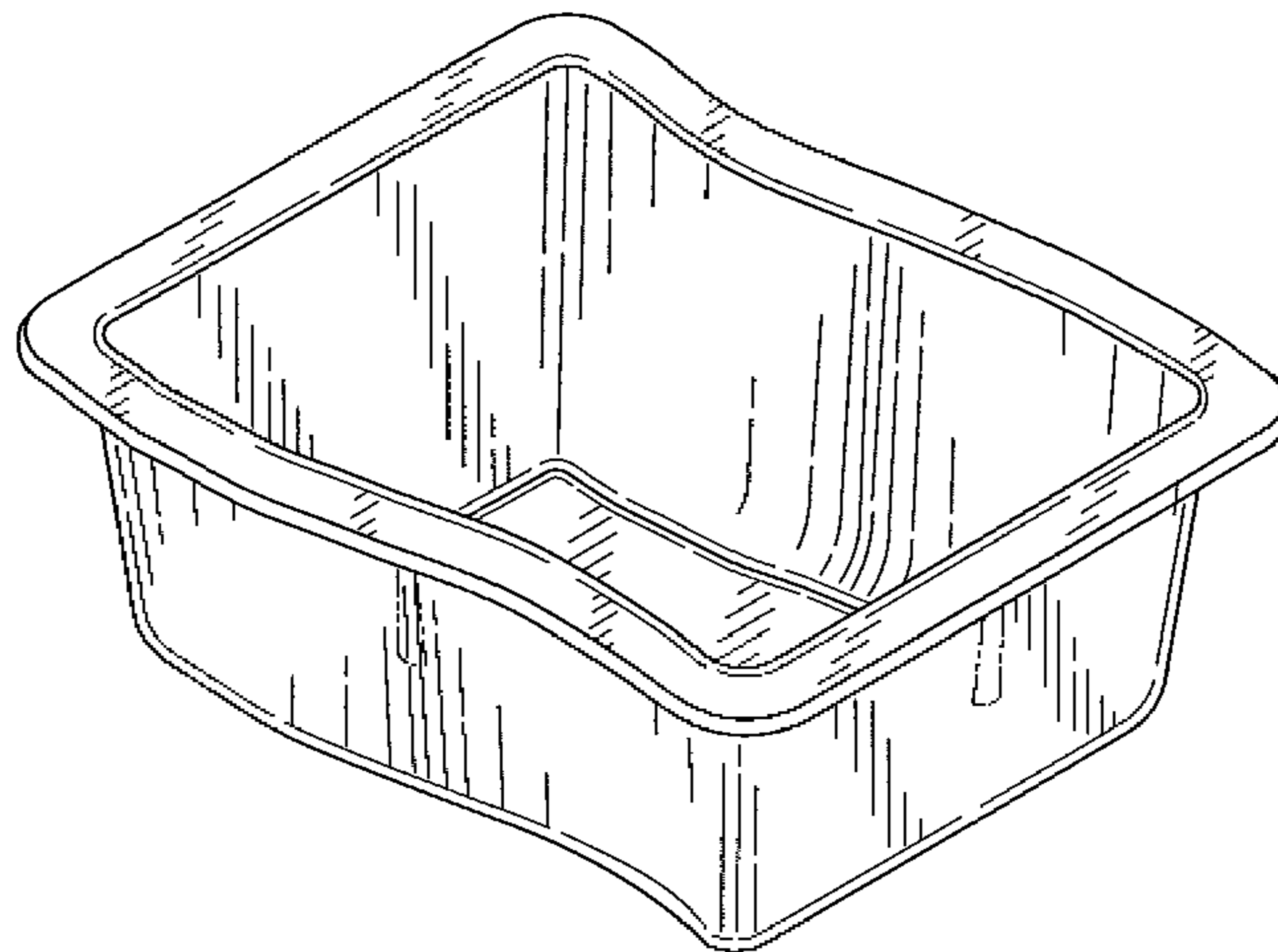
FIG. 5 is a right-side view thereof;

FIG. 6 is a rear view thereof; and,

FIG. 7 is a front view thereof.

The broken lines shown in the drawings are for illustrative purposes only and form no part of the claimed design.

1 Claim, 3 Drawing Sheets



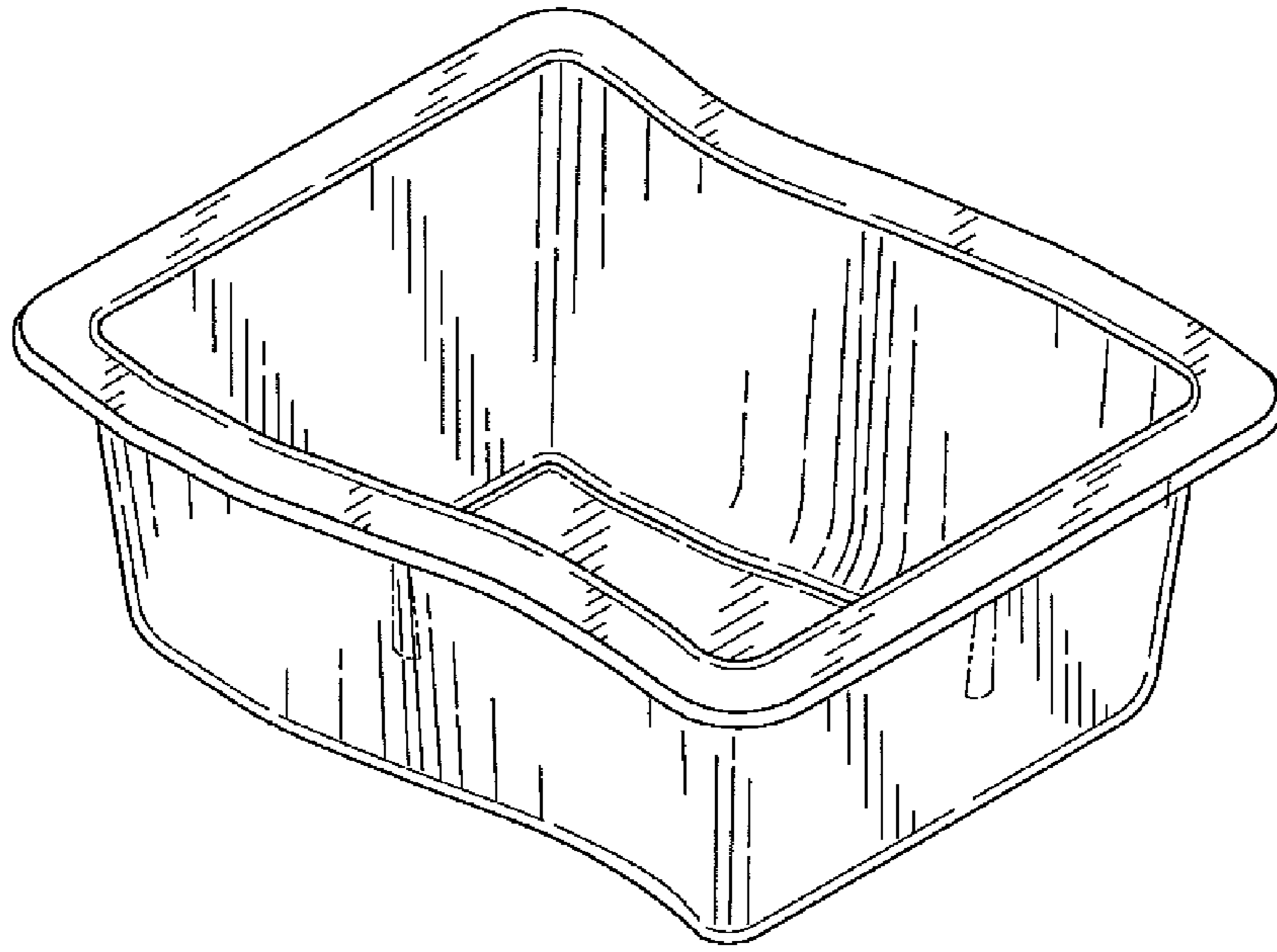


FIG. 1

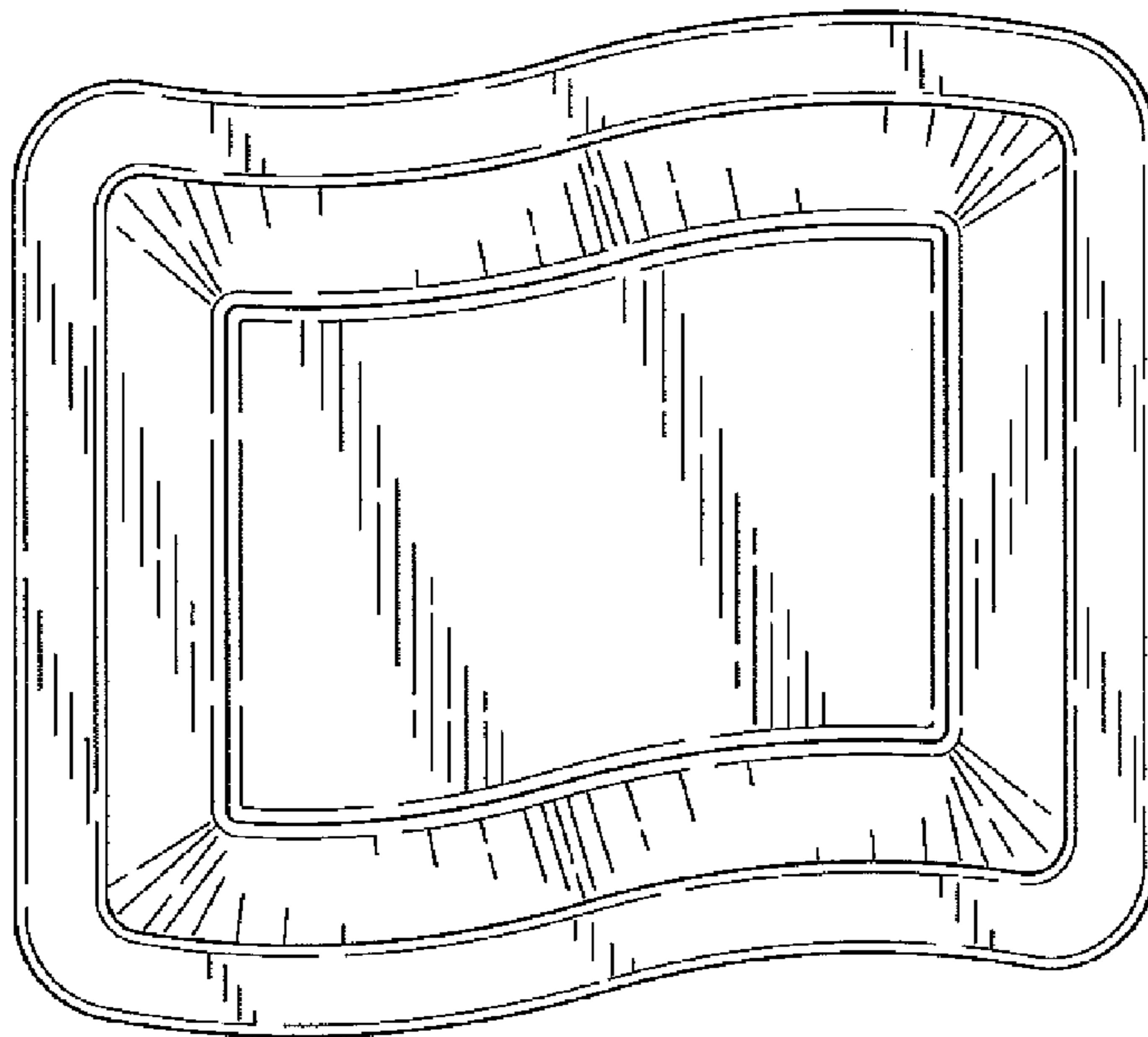


FIG. 2

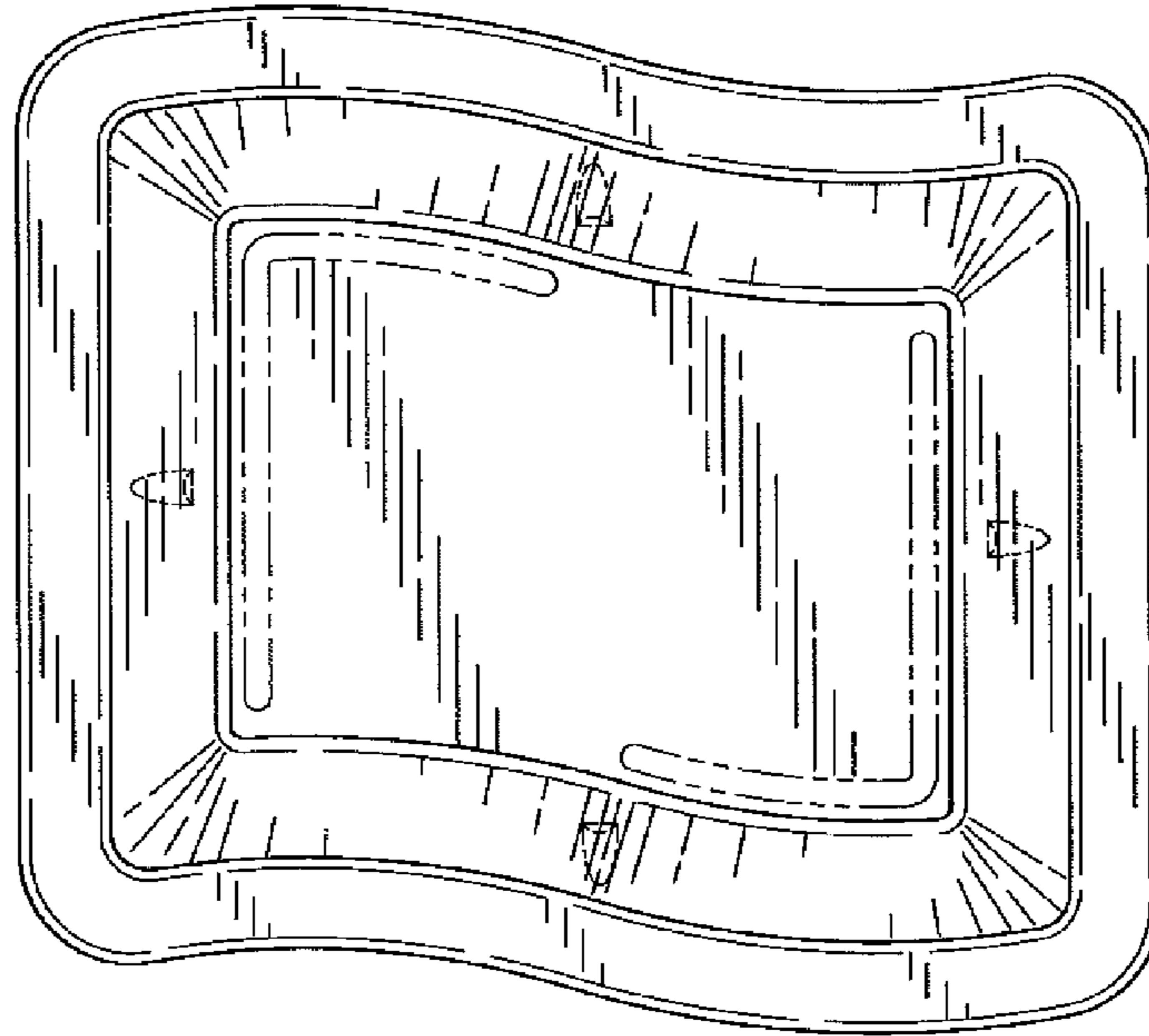


FIG. 3

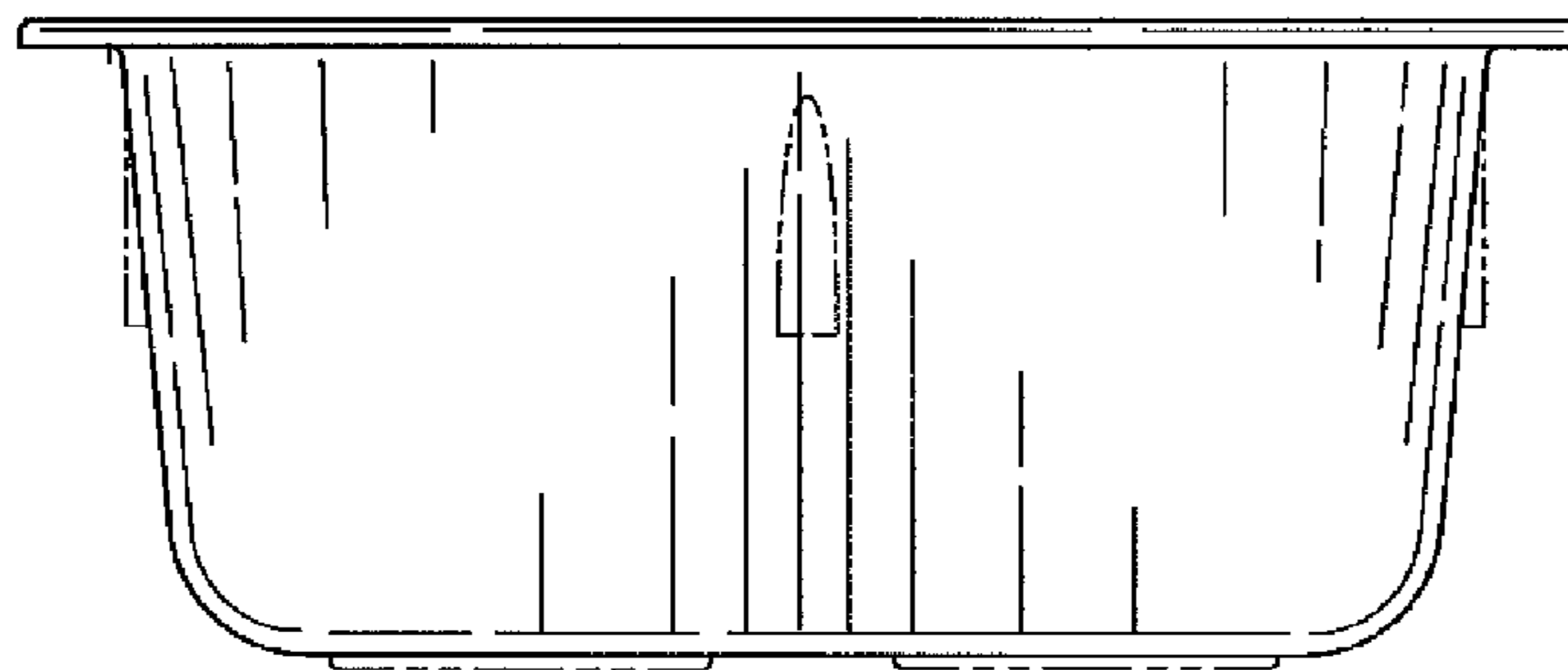


FIG. 4

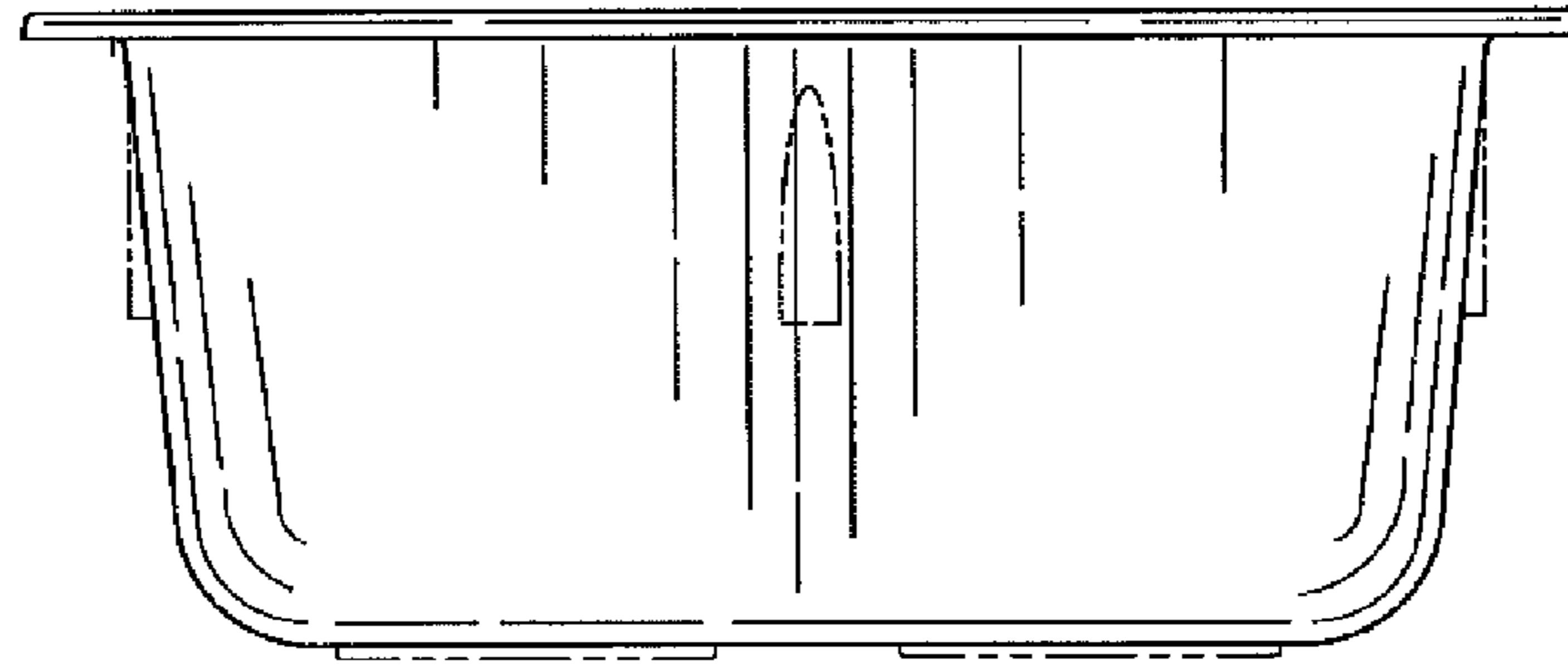


FIG. 5

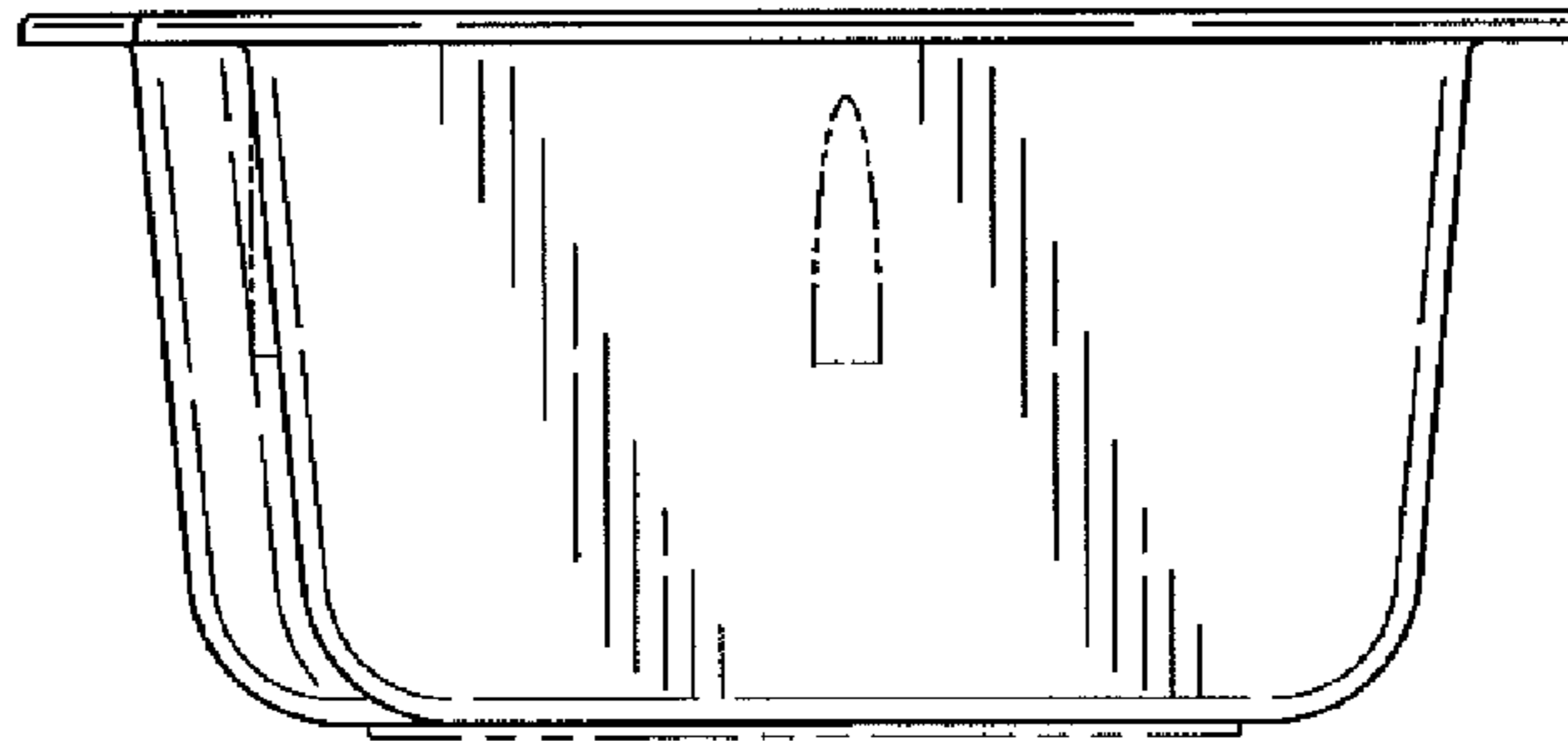


FIG. 6

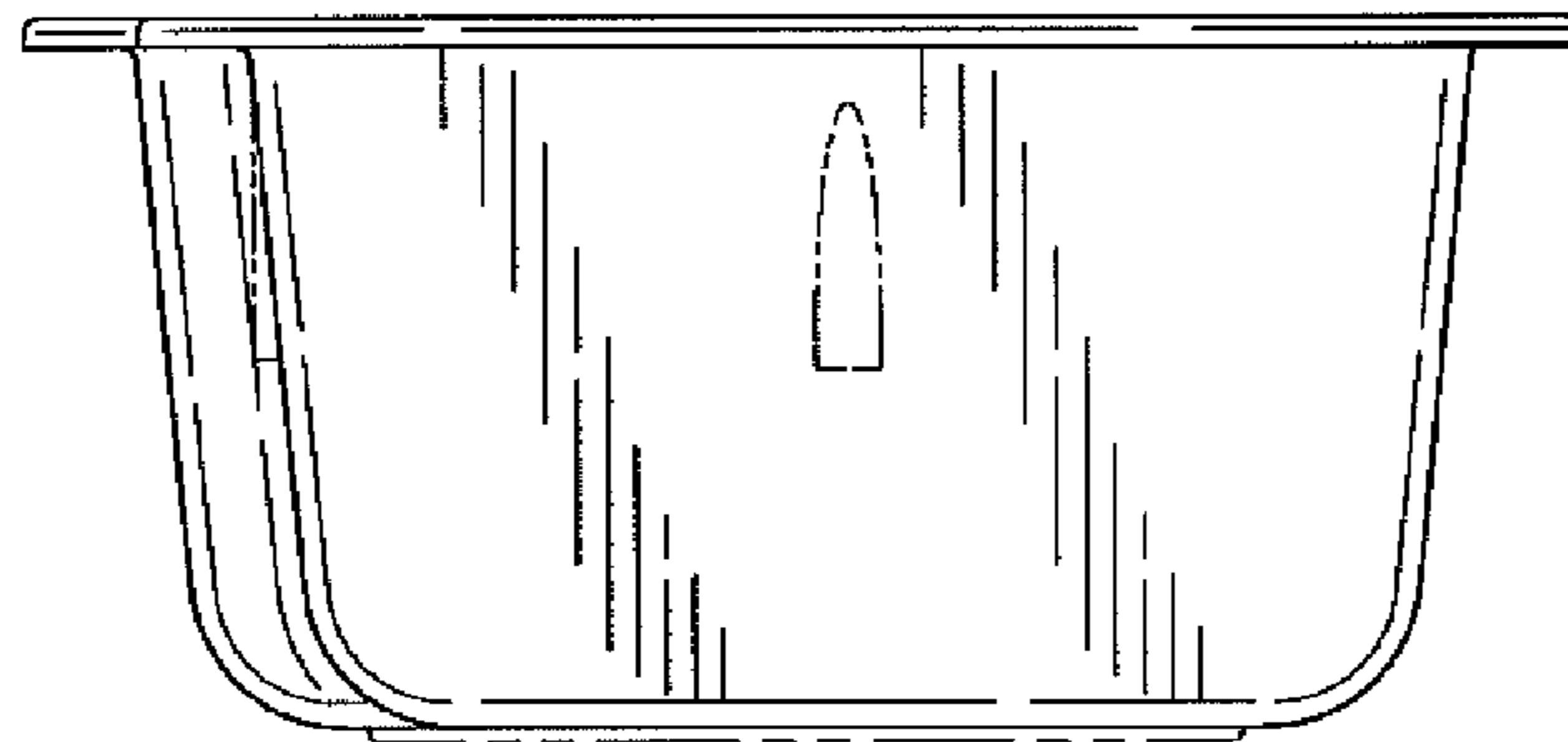


FIG. 7