



US00D618952S

(12) **United States Design Patent**
Chung

(10) **Patent No.:** **US D618,952 S**

(45) **Date of Patent:** **** Jul. 6, 2010**

(54) **BARBECUE GRILL**

(76) Inventor: **Kiosky Chung**, No. 72, Chaoguei Rd.,
Situn District, Taichung City 407 (TW)

(**) Term: **14 Years**

(21) Appl. No.: **29/345,156**

(22) Filed: **Oct. 10, 2009**

(51) **LOC (9) Cl.** **07-02**

(52) **U.S. Cl.** **D7/334**

(58) **Field of Classification Search** D7/332,
D7/334-337, 402-404, 406-407; 126/37 R,
126/25 R, 41 R, 41 C, 41 D, 41 E, 9 R, 44,
126/50, 39 E, 91 A; 99/339, 340, 450, 444;
431/354

See application file for complete search history.

(56) **References Cited**

U.S. PATENT DOCUMENTS

D533,010 S *	12/2006	Pai	D7/334
D533,011 S *	12/2006	Pai	D7/334
D549,511 S *	8/2007	Chung	D7/334
D569,168 S *	5/2008	Pai	D7/334
D571,142 S *	6/2008	Chung	D7/334
D571,602 S *	6/2008	Chung	D7/334
D571,604 S *	6/2008	Chung	D7/334

D571,605 S *	6/2008	Chung	D7/334
D581,199 S *	11/2008	Chau	D7/334
D582,715 S *	12/2008	Pai	D7/334
D584,562 S *	1/2009	Chau et al.	D7/334
D601,378 S *	10/2009	Chung	D7/334
D609,045 S *	2/2010	Bruno et al.	D7/334

* cited by examiner

Primary Examiner—Ruth McInroy

(74) *Attorney, Agent, or Firm*—Banger Shia

(57) **CLAIM**

I claim the ornamental design for a barbecue grill, as shown and described.

DESCRIPTION

FIG. 1 is a perspective view of a barbecue grill, showing my new design;

FIG. 2 is a front elevational view thereof;

FIG. 3 is a rear elevational view thereof;

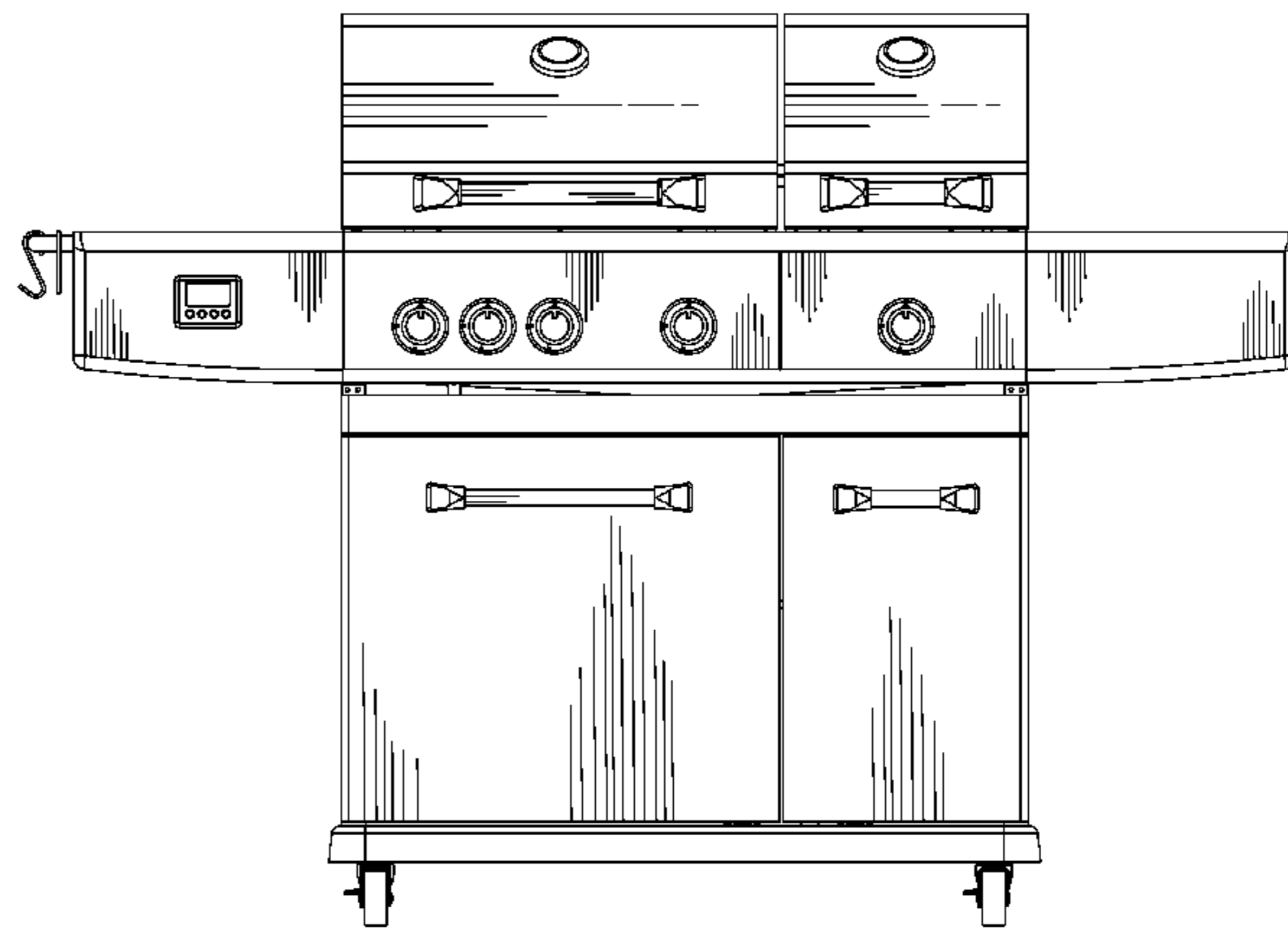
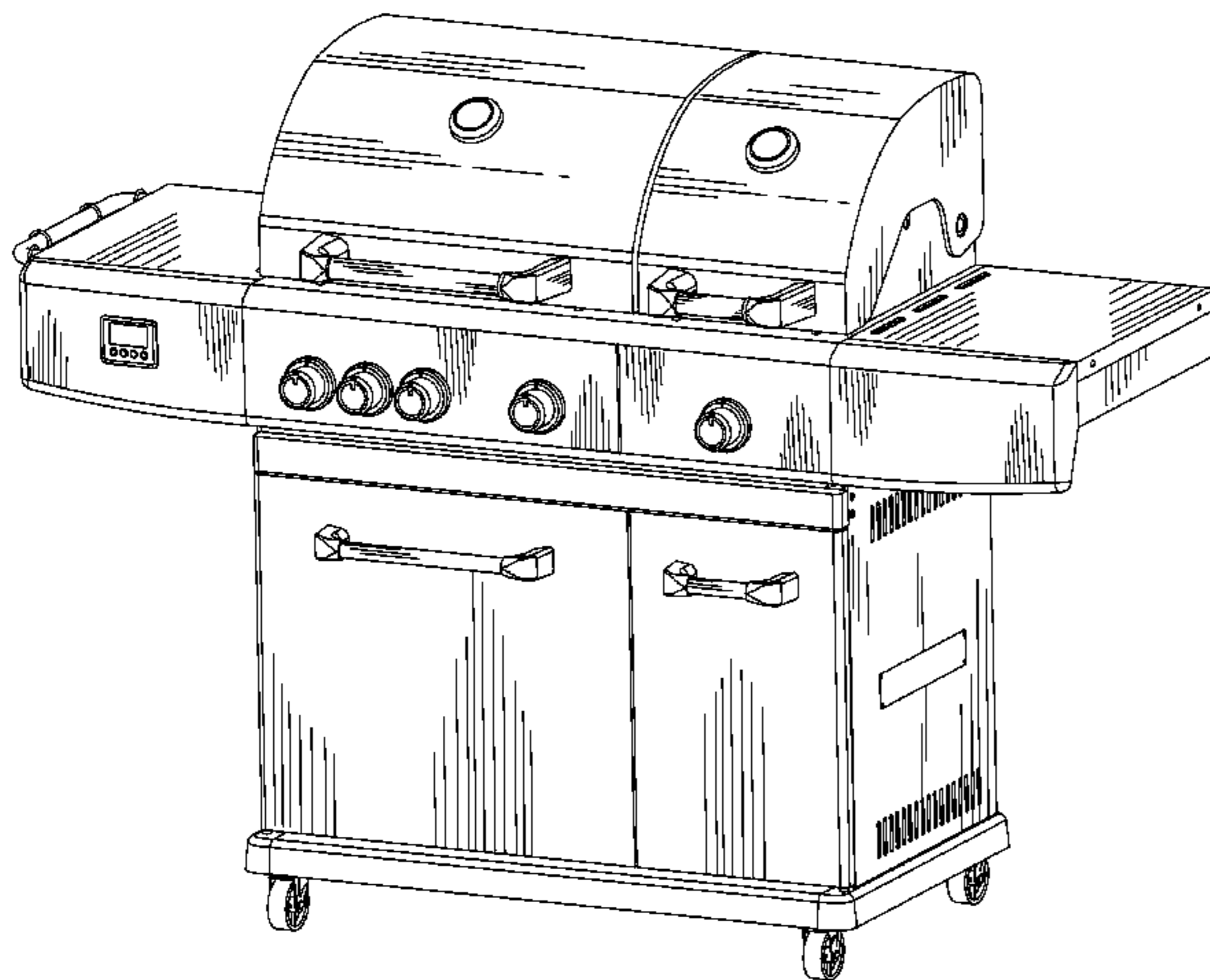
FIG. 4 is a left side elevational view thereof;

FIG. 5 is a right side elevational view thereof;

FIG. 6 is a top plan view thereof; and,

FIG. 7 is a bottom plan view thereof.

1 Claim, 7 Drawing Sheets



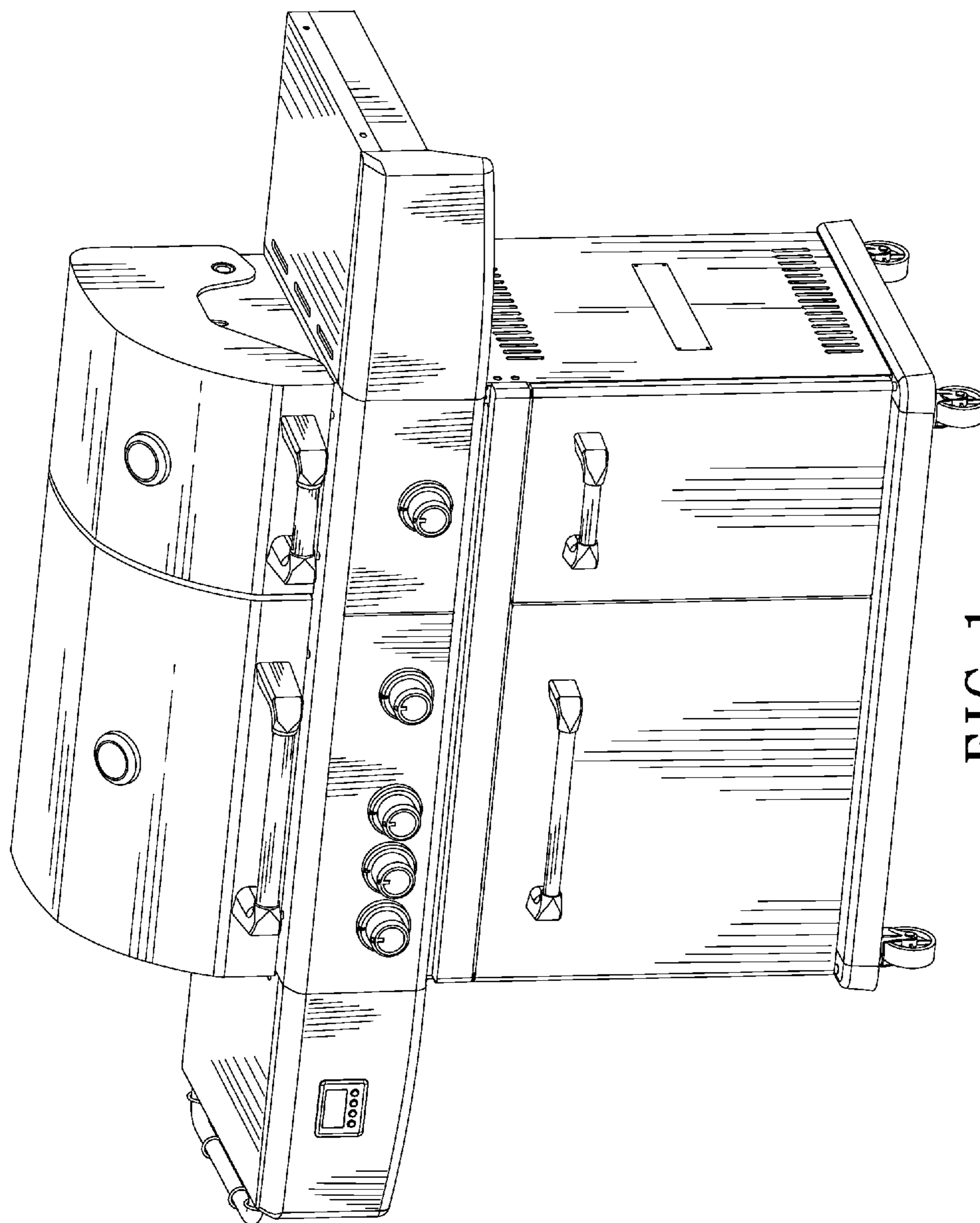


FIG. 1

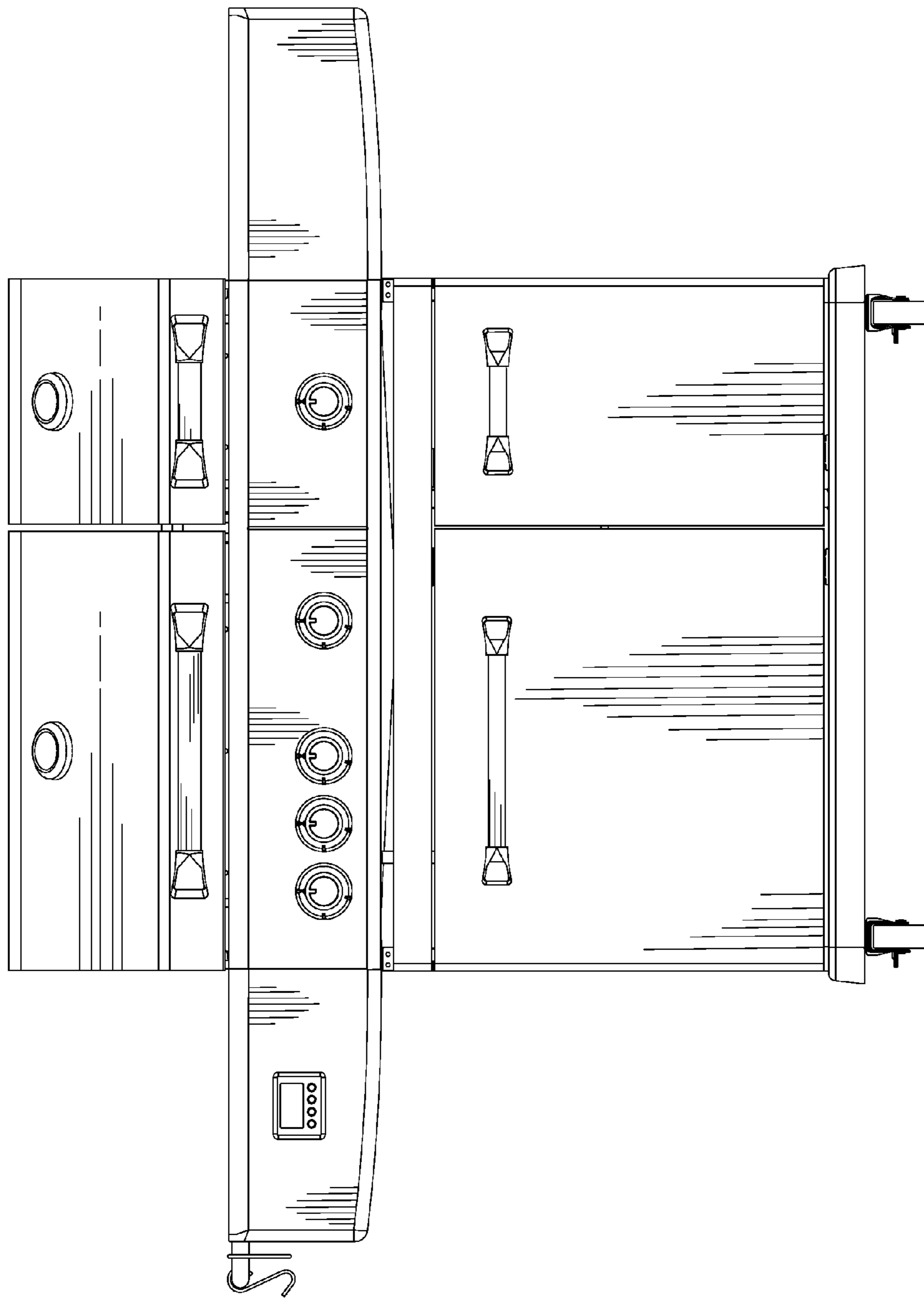


FIG. 2

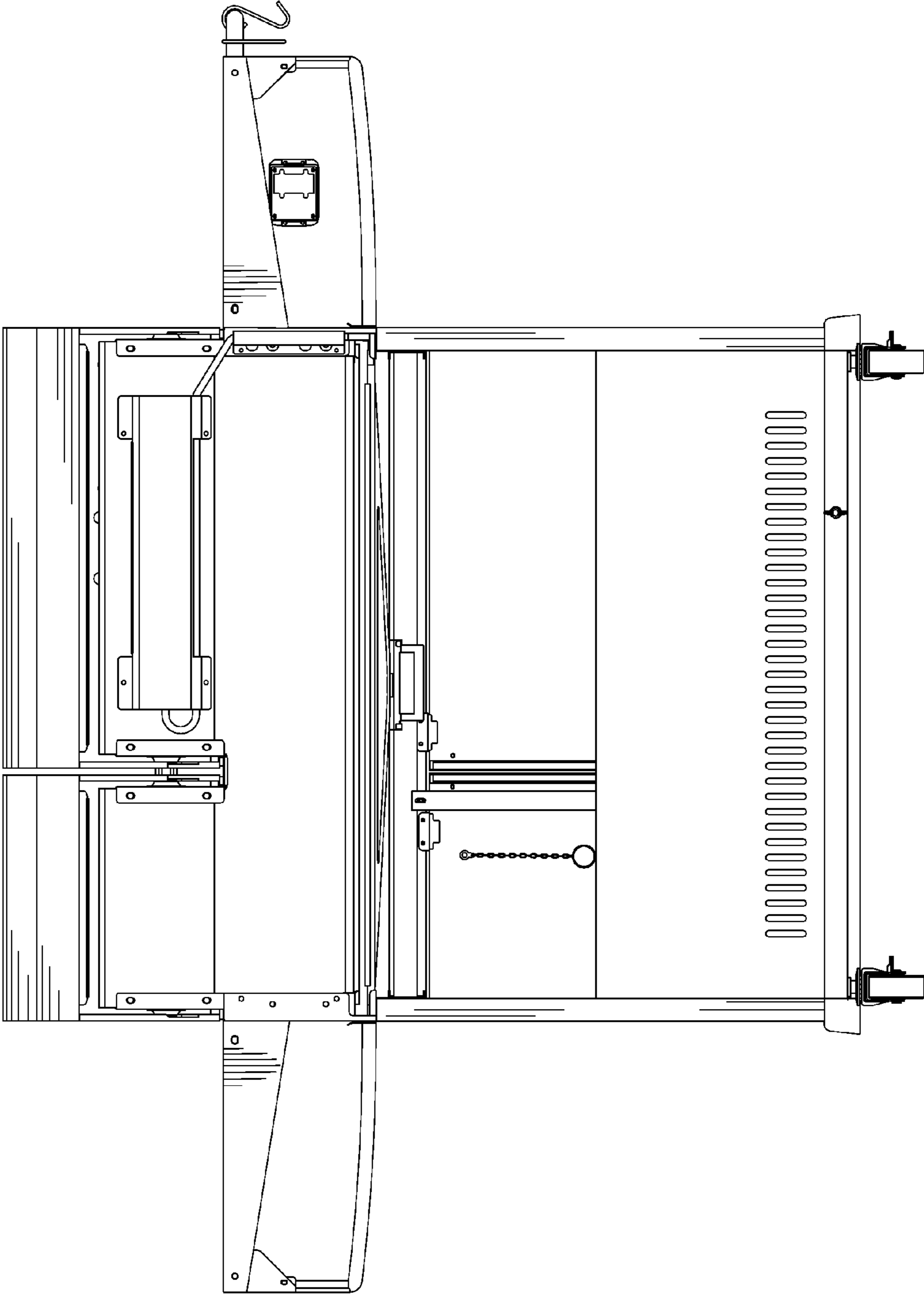


FIG. 3

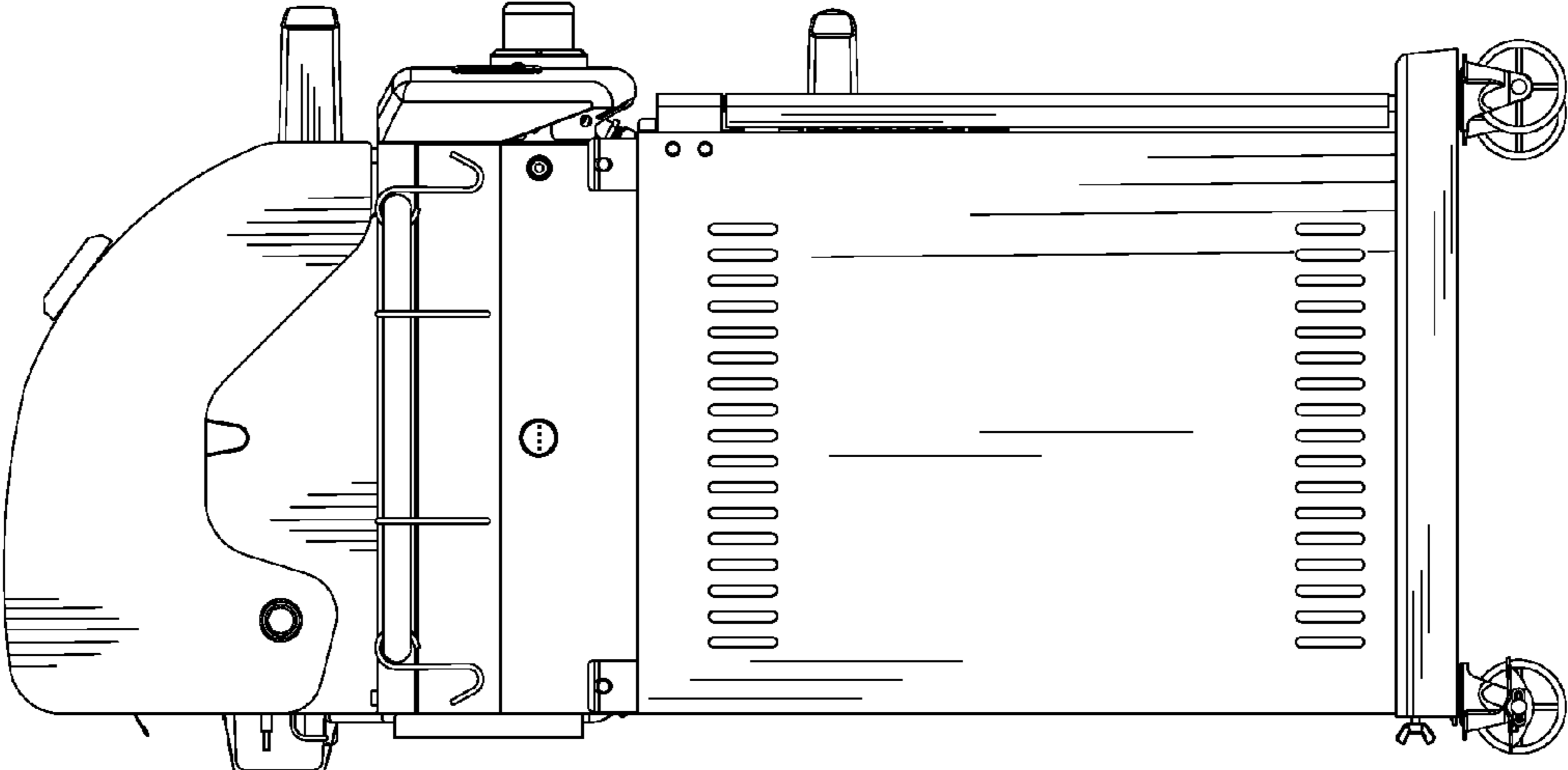


FIG. 4

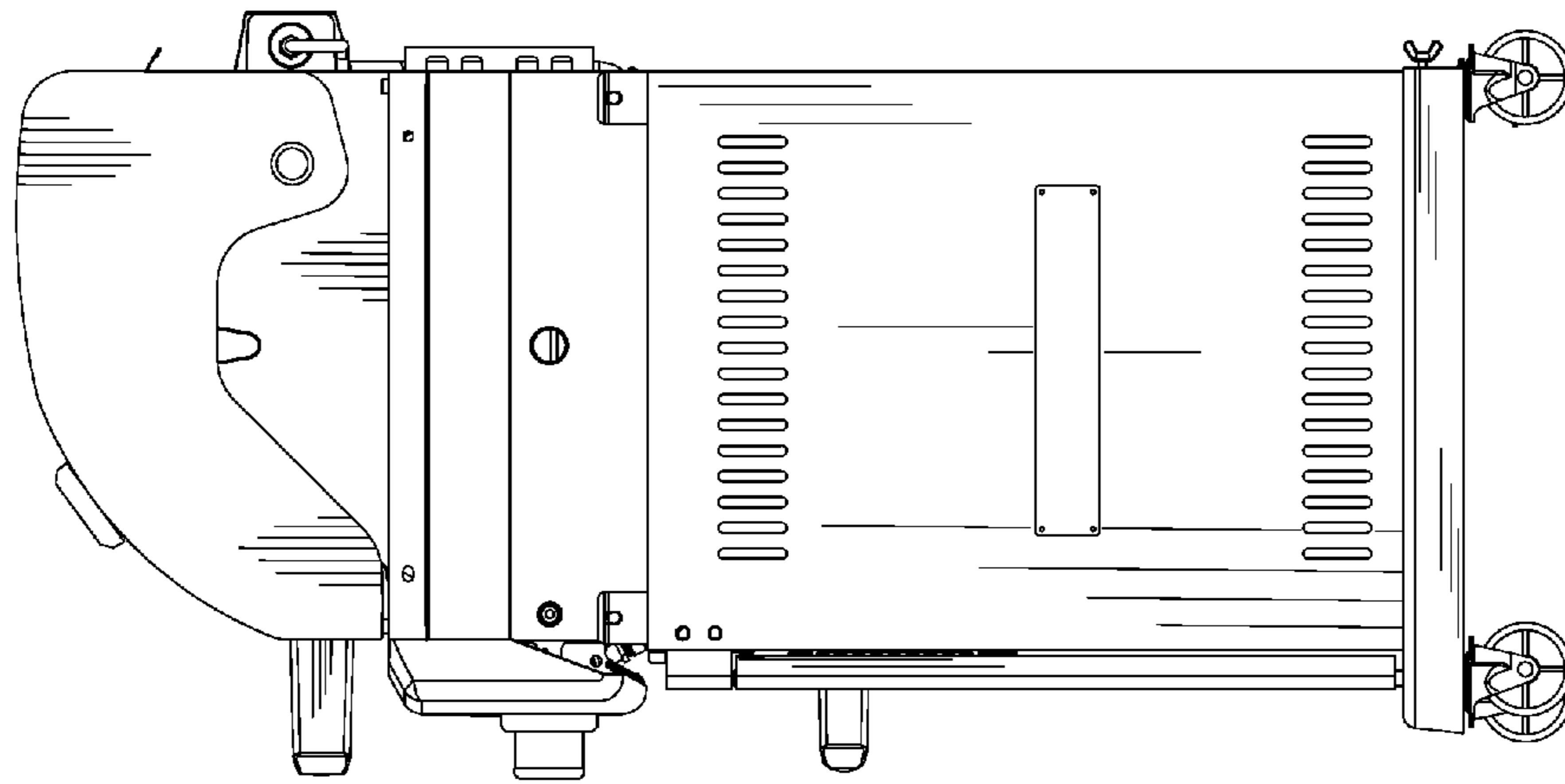


FIG. 5

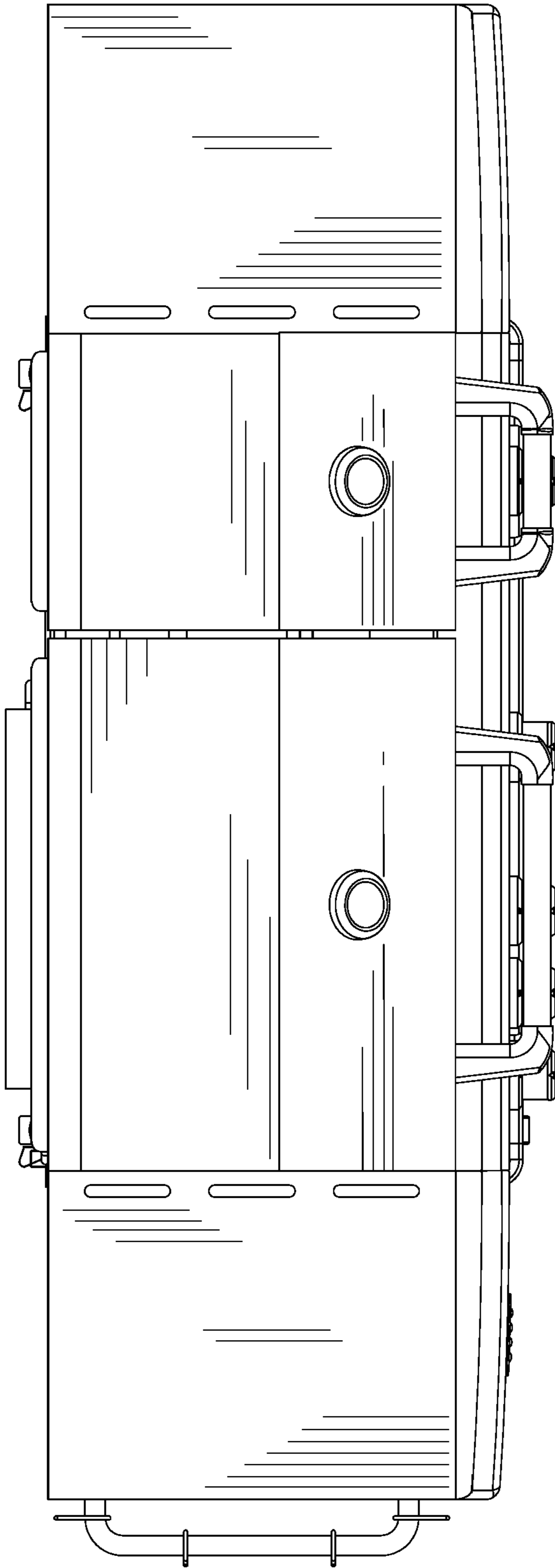


FIG. 6

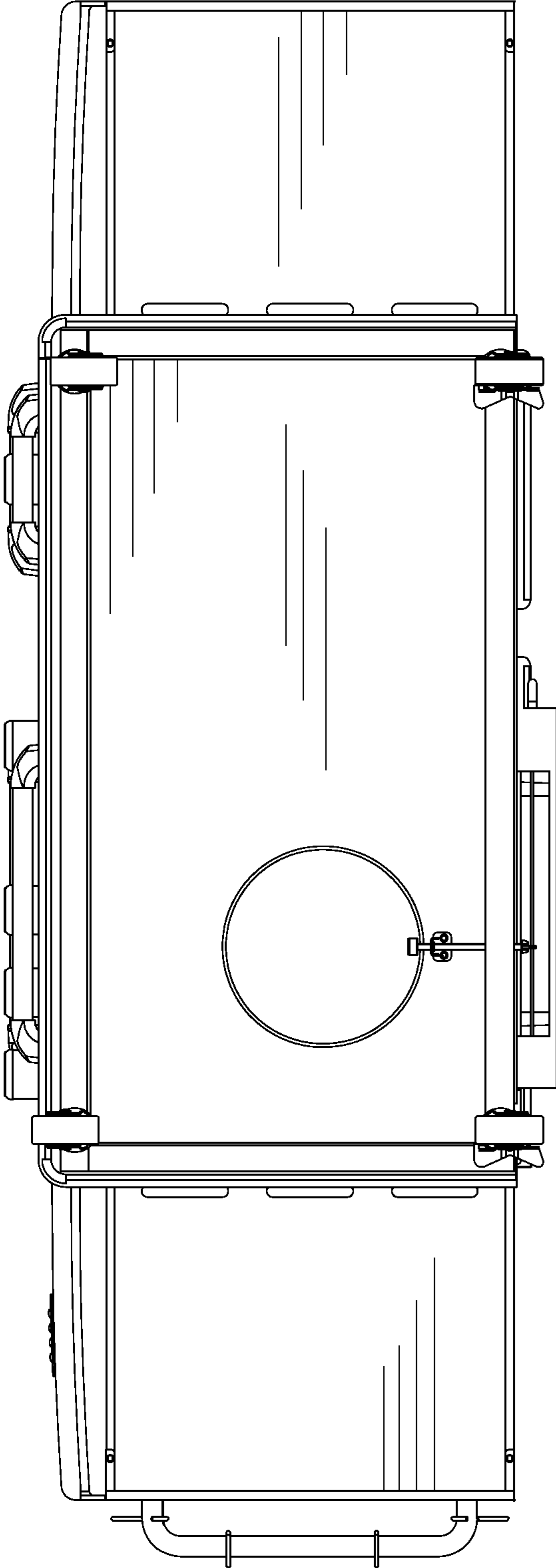


FIG. 7