



US00D618948S

(12) **United States Design Patent**  
**Bovay et al.**

(10) **Patent No.:** **US D618,948 S**  
(45) **Date of Patent:** **\*\* Jul. 6, 2010**

(54) **SCREEN**

D575,568 S \* 8/2008 Chen et al. .... D6/611

(75) Inventors: **Linda Bovay**, Highland, MI (US);  
**Vickie Childers**, Grand Blanc, MI (US)

\* cited by examiner

(73) Assignee: **Bobachi, L.L.C.**, Highland, MI (US)

*Primary Examiner*—T. Chase Nelson

*Assistant Examiner*—David G Muller

(\*\*) Term: **14 Years**

(74) *Attorney, Agent, or Firm*—Meiers Law Office; Ray Meiers LLC

(21) Appl. No.: **29/344,434**

(57) **CLAIM**

(22) Filed: **Sep. 29, 2009**

We claim the ornamental design for a screen, as shown and described.

(51) **LOC (9) Cl.** ..... **06-13**

(52) **U.S. Cl.** ..... **D6/610**

(58) **Field of Classification Search** ..... D6/610–612,  
D6/616, 582–584; 297/219.1–229; 5/653,  
5/655, 502; 150/154, 158, 165; 55/515;  
135/99

**DESCRIPTION**

See application file for complete search history.

FIG. 1 is a perspective view of the screen in operation with a vertically-extending flap extending around the back of the chair and interconnected to a horizontally-extending strap for holding a screen portion in place on the chair;

FIG. 2 is a front view of the screen wherein the vertically extending flap is laid upwardly, away from the horizontally-extending strap, to reveal the underside of the flap;

(56) **References Cited**

**U.S. PATENT DOCUMENTS**

2,288,469	A *	6/1942	Lookholder	.....	297/219.1
2,557,279	A *	6/1951	Greenberg	.....	55/515
5,075,897	A *	12/1991	Daniels	.....	5/653
5,339,748	A *	8/1994	Bilotti	.....	297/228.11
5,666,679	A *	9/1997	Ruddy	.....	5/502
D411,703	S *	6/1999	France	.....	D6/583
D425,357	S *	5/2000	Waring	.....	D6/611
D428,296	S *	7/2000	Kelldorf	.....	D6/610
6,170,100	B1 *	1/2001	Le Gette et al.	.....	297/219.1
6,178,979	B1 *	1/2001	Galloway	.....	135/99
D530,559	S *	10/2006	Fails	.....	D6/611
D545,106	S *	6/2007	Hourihan	.....	D6/610

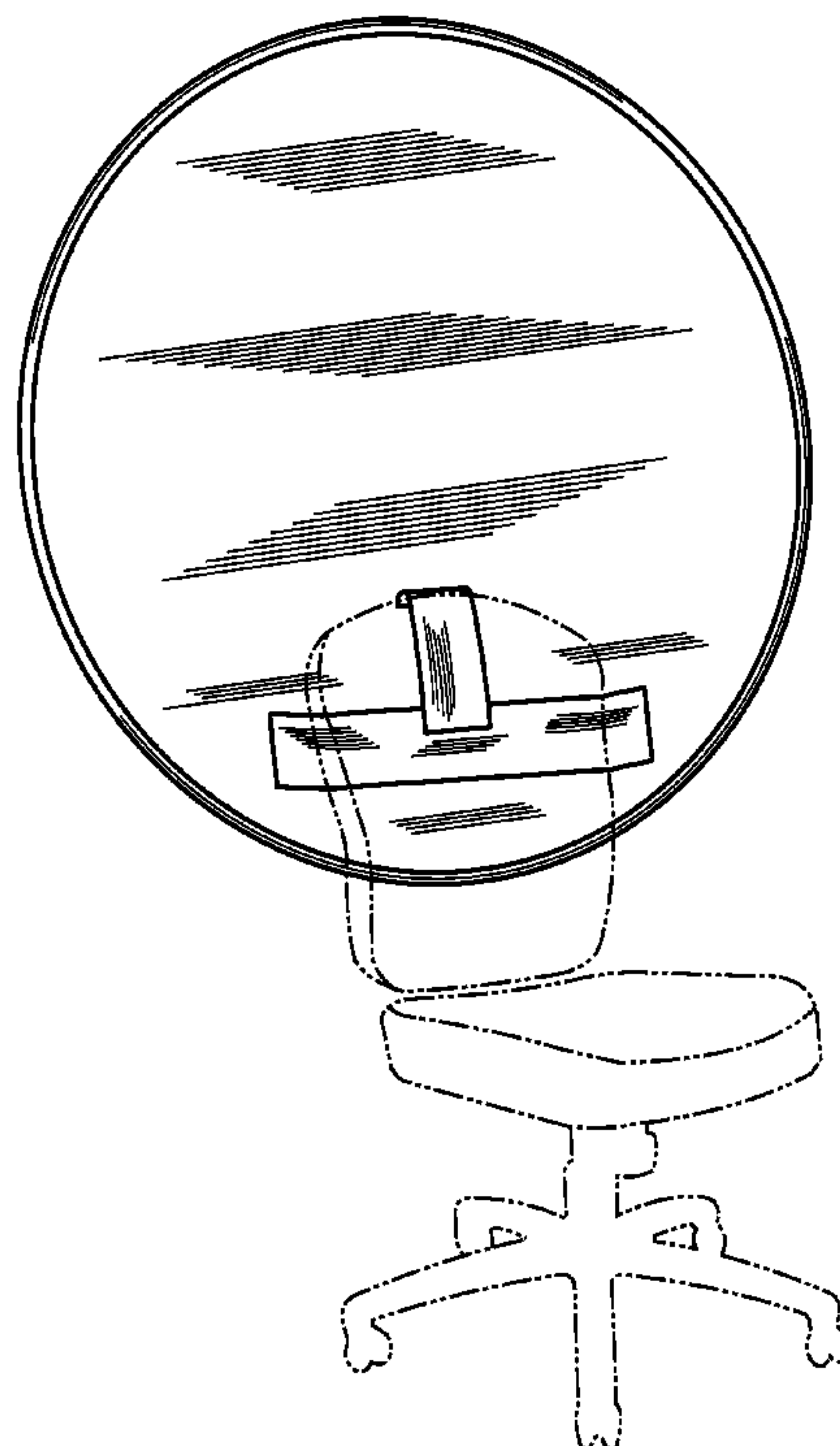
FIG. 3 is a rear view of the screen;

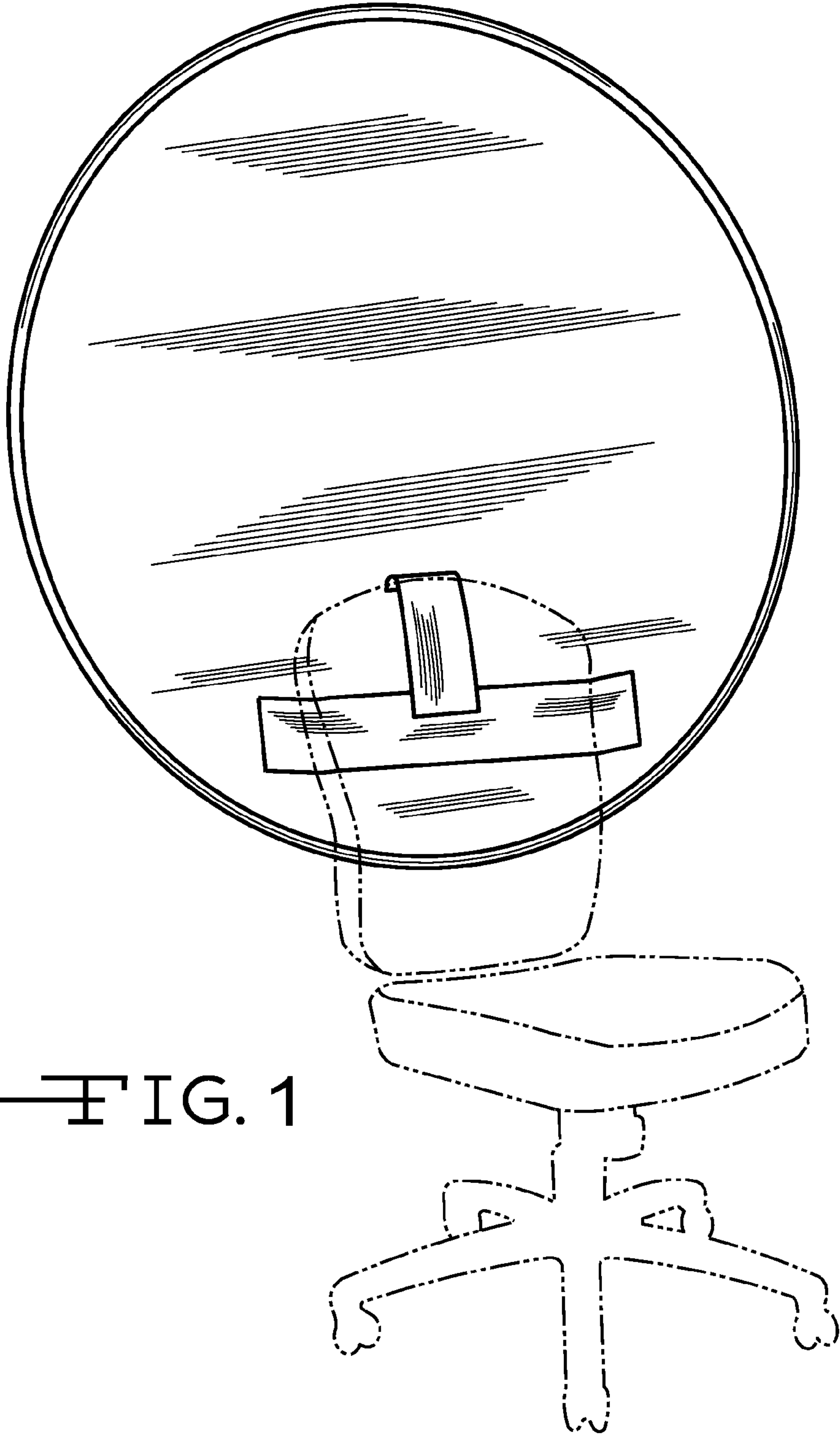
FIG. 4 is a side view of the screen, wherein a left-hand side view, a right-hand side view, a top view, and a bottom view appear the same; and,

FIG. 5 is a cross-sectional view taken through section lines 5—5 shown in FIG. 2.

The broken line showing of the chair is included for the purpose of illustrating use and environment and forms no part of the claimed design.

**1 Claim, 4 Drawing Sheets**





—FIG. 1

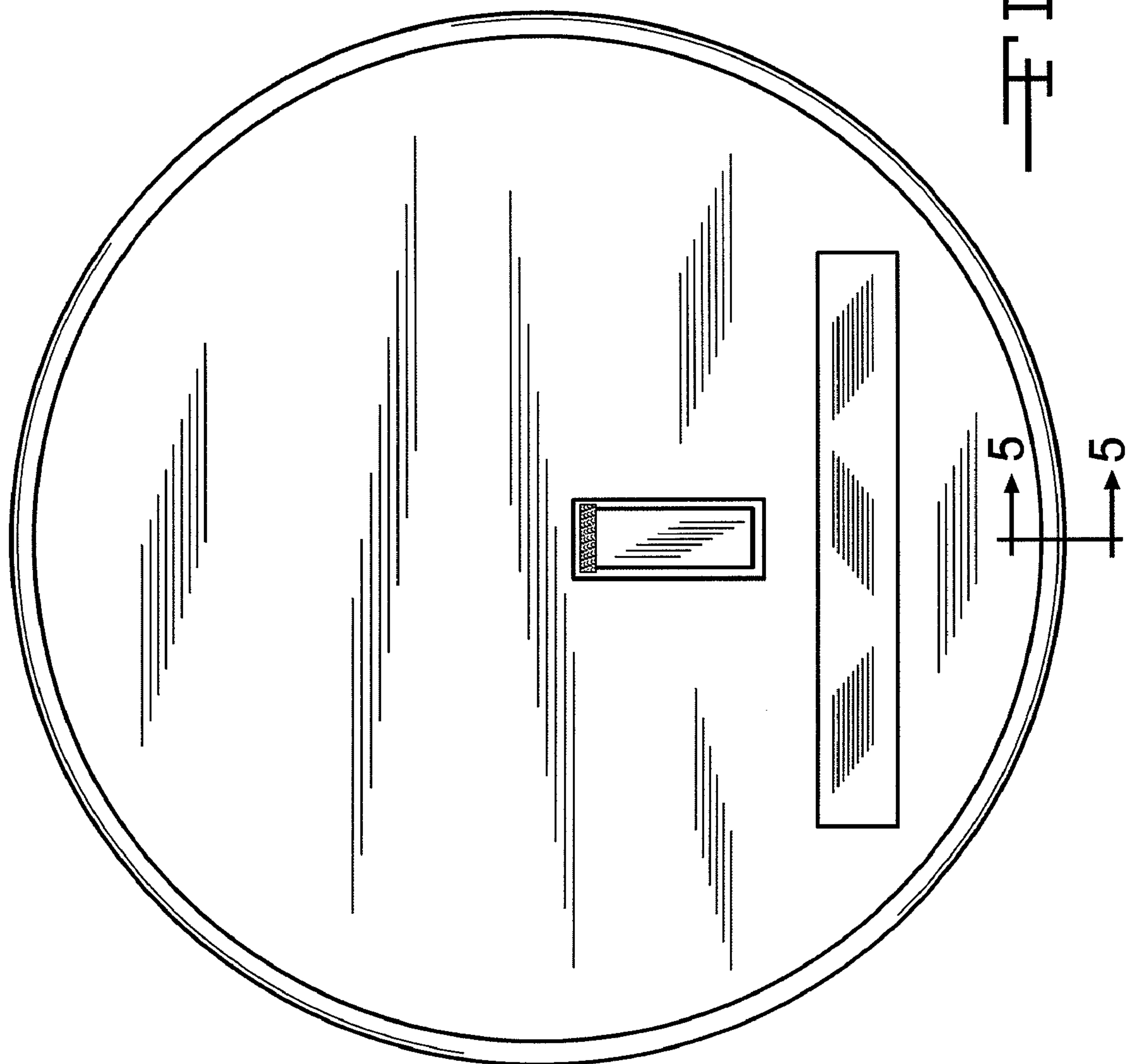


FIG. 2

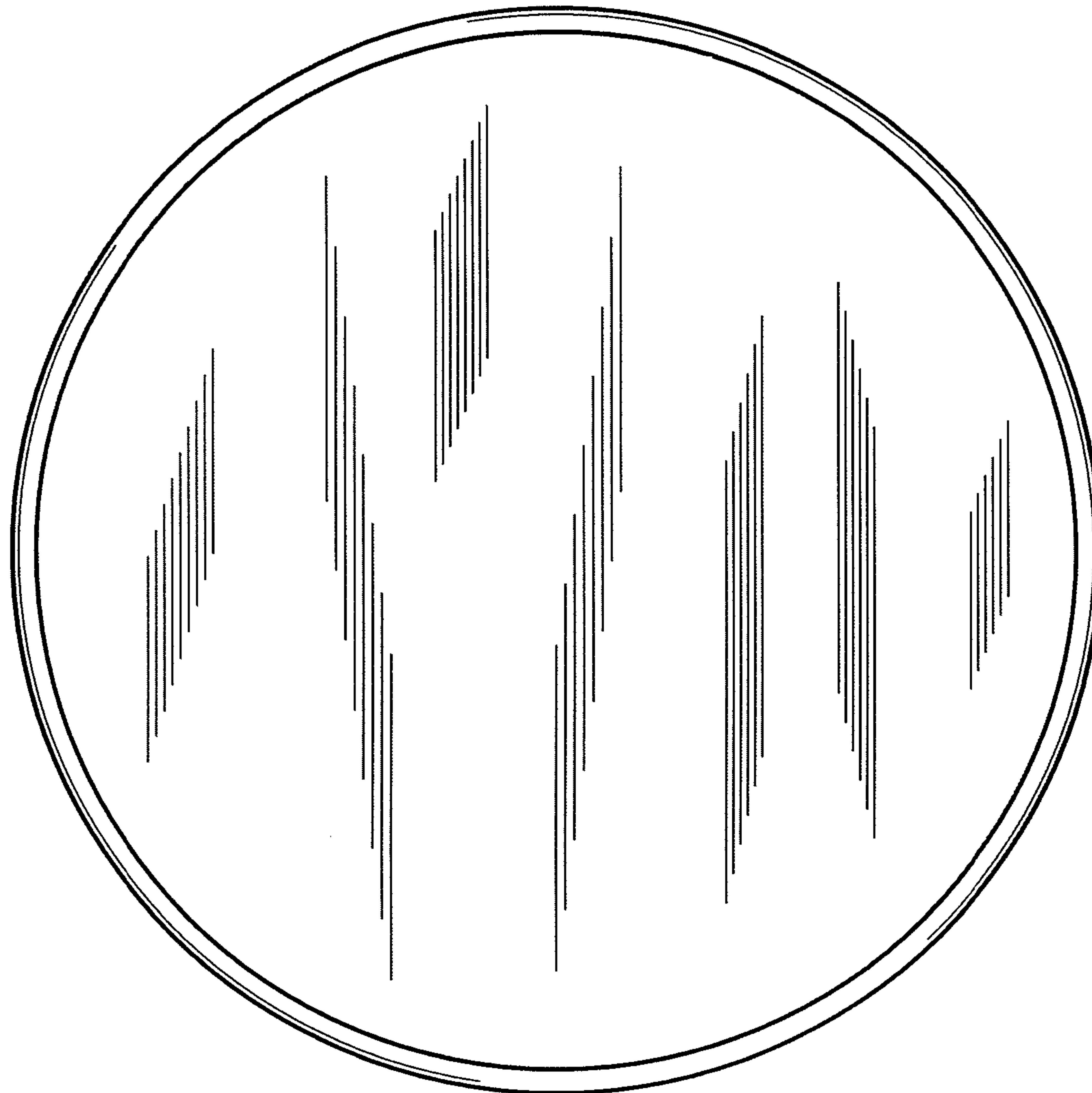


FIG. 3

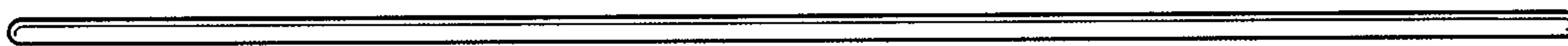


FIG. 4

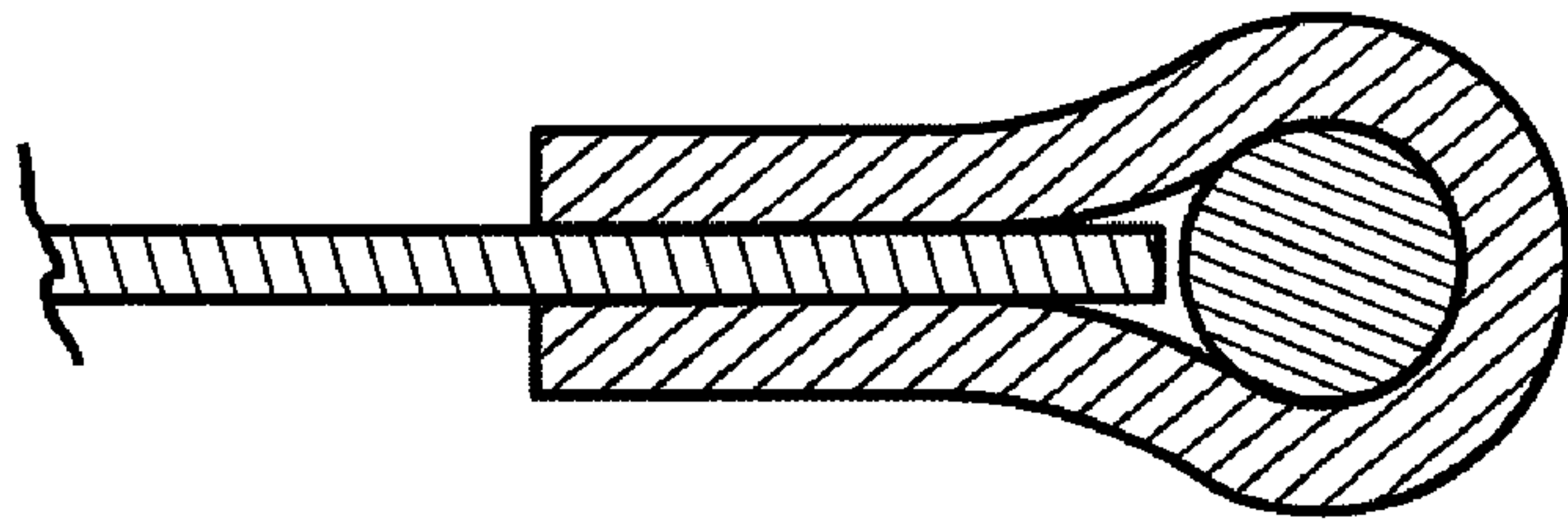


FIG. 5