



US00D618944S

(12) **United States Design Patent**  
**Rothstein et al.**

(10) **Patent No.:** **US D618,944 S**  
(45) **Date of Patent:** **\*\* Jul. 6, 2010**

(54) **CUDDLE PILLOW**

(75) Inventors: **Christopher Rothstein**, 505 Cypress Point Dr., Unit 85, Mountain View, CA (US) 94043; **Austin Wae-Teh Wang**, 568 N. Rengstorff Ave., Mountain View, CA (US) 94043

(73) Assignees: **Christopher Rothstein**, Mountain View, CA (US); **Austin Wae-Teh Wang**, Mountain View, CA (US)

(\*\*) Term: **14 Years**

(21) Appl. No.: **29/346,954**

(22) Filed: **Nov. 9, 2009**

(51) **LOC (9) Cl.** ..... **06-09**

(52) **U.S. Cl.** ..... **D6/601**

(58) **Field of Classification Search** ..... D6/595-601, D6/604, 605; 5/630, 633, 636-638, 640, 5/644, 652-654, 655.3, 655.6, 655.9, 656, 5/657, 657.5; D21/803, 804

See application file for complete search history.

(56) **References Cited**

**U.S. PATENT DOCUMENTS**

3,139,631 A \* 7/1964 Kiefer ..... 5/643

D387,599 S \* 12/1997 Ryndak ..... D6/601  
5,884,331 A \* 3/1999 Barajas ..... 2/69  
D515,709 S \* 2/2006 Charon ..... D25/113  
D543,064 S \* 5/2007 Hale ..... D6/596  
D566,448 S \* 4/2008 Ridder ..... D6/601

\* cited by examiner

*Primary Examiner*—Janice E Seeger

(74) *Attorney, Agent, or Firm*—James Cai; Schein & Cai LLP

(57) **CLAIM**

We claim the ornamental design for cuddle pillow, as shown.

**DESCRIPTION**

FIG. 1 is a top perspective view of the cuddle pillow;

FIG. 2 is a front view thereof;

FIG. 3 is rear view of thereof;

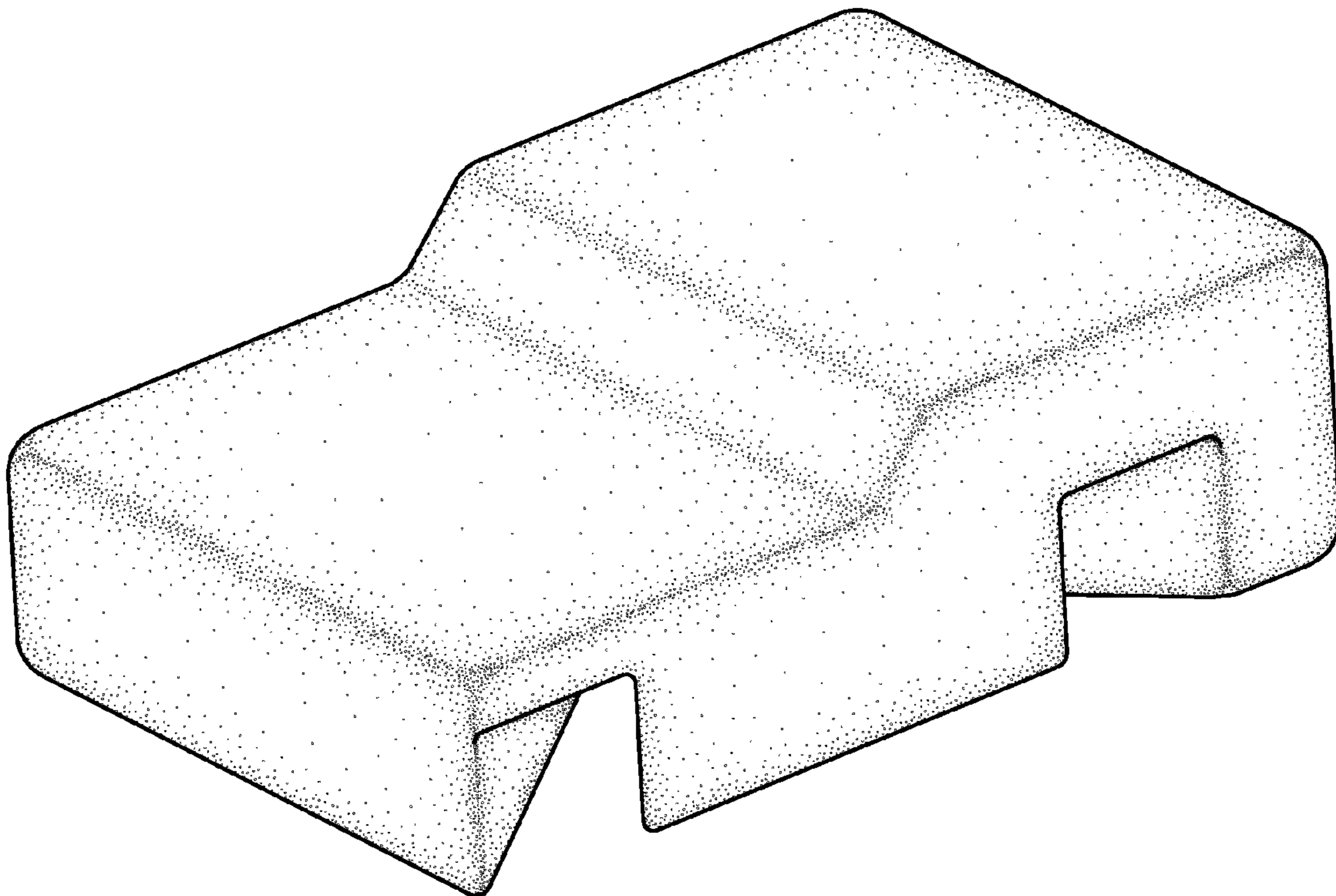
FIG. 4 is a right side view of part thereof;

FIG. 5 is a left side view thereof;

FIG. 6 is a top view thereof; and,

FIG. 7 is a bottom view thereof.

**1 Claim, 3 Drawing Sheets**



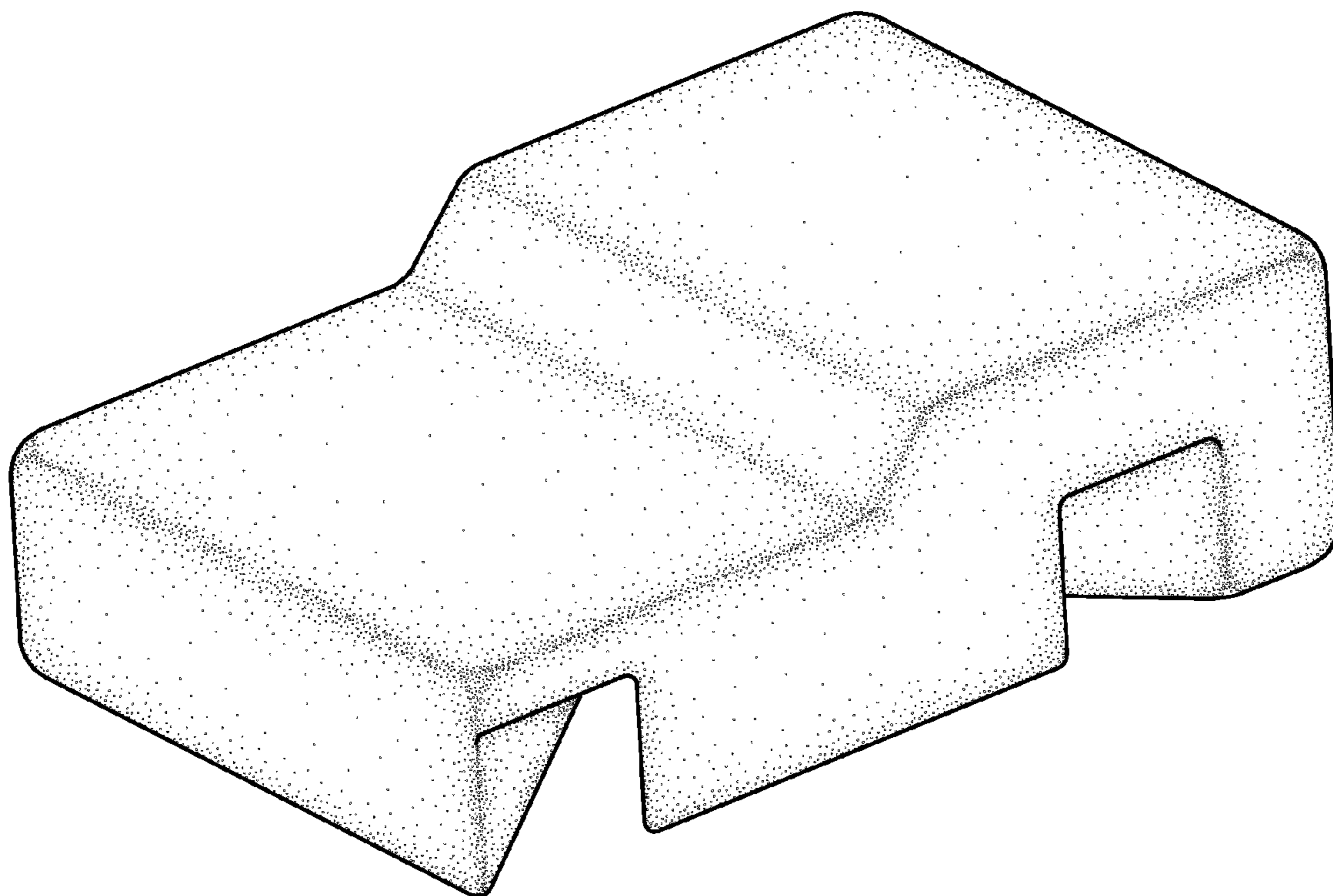


FIG.1

FIG.2

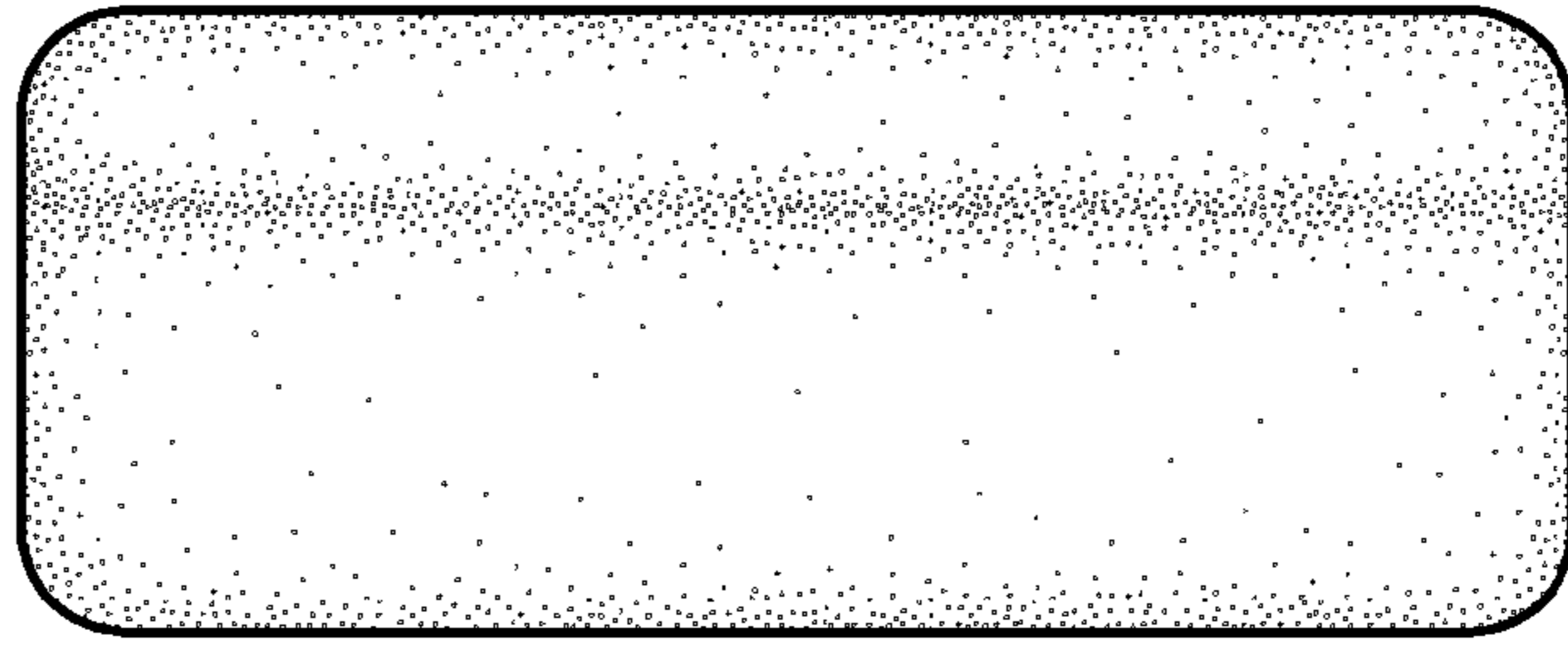


FIG.3

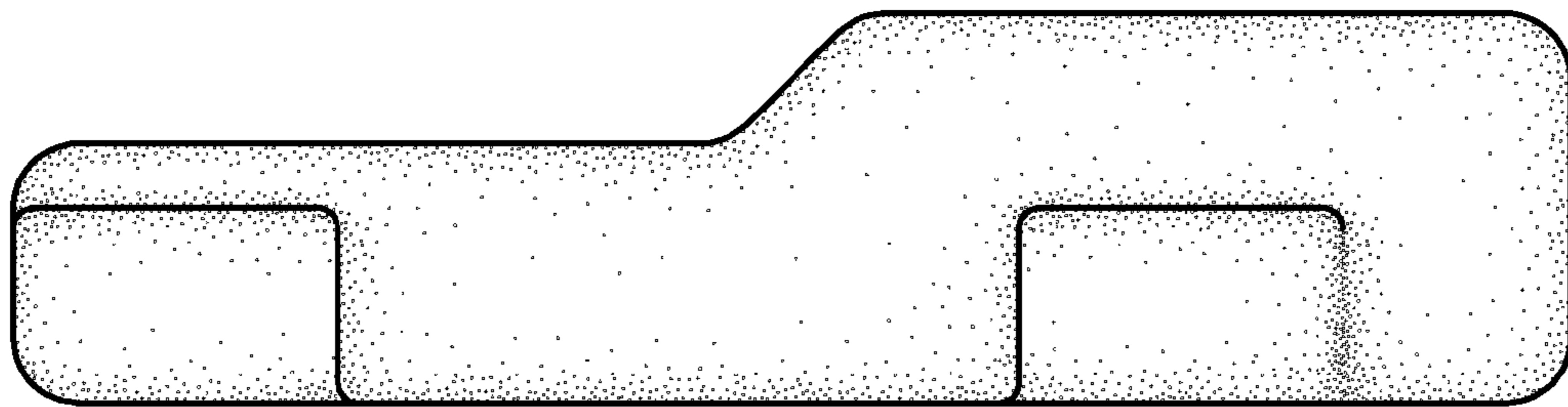
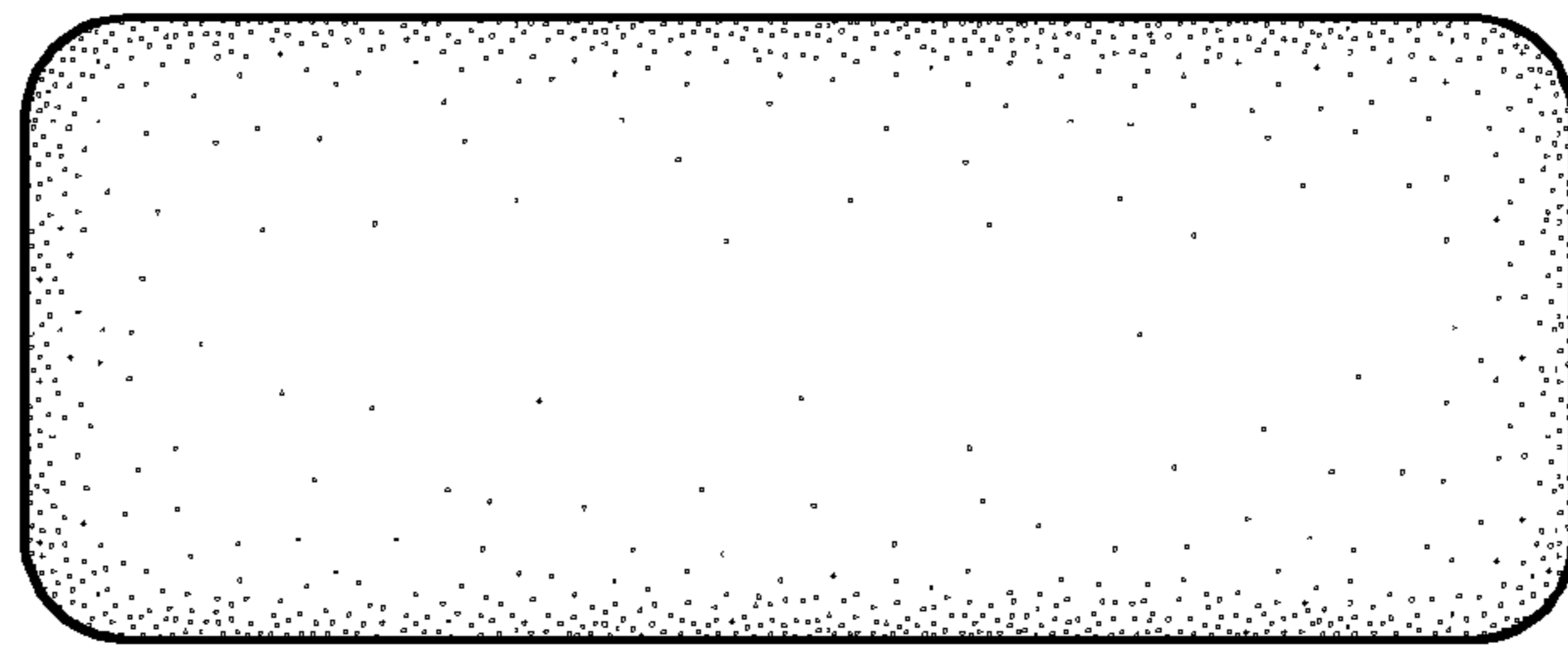


FIG.4

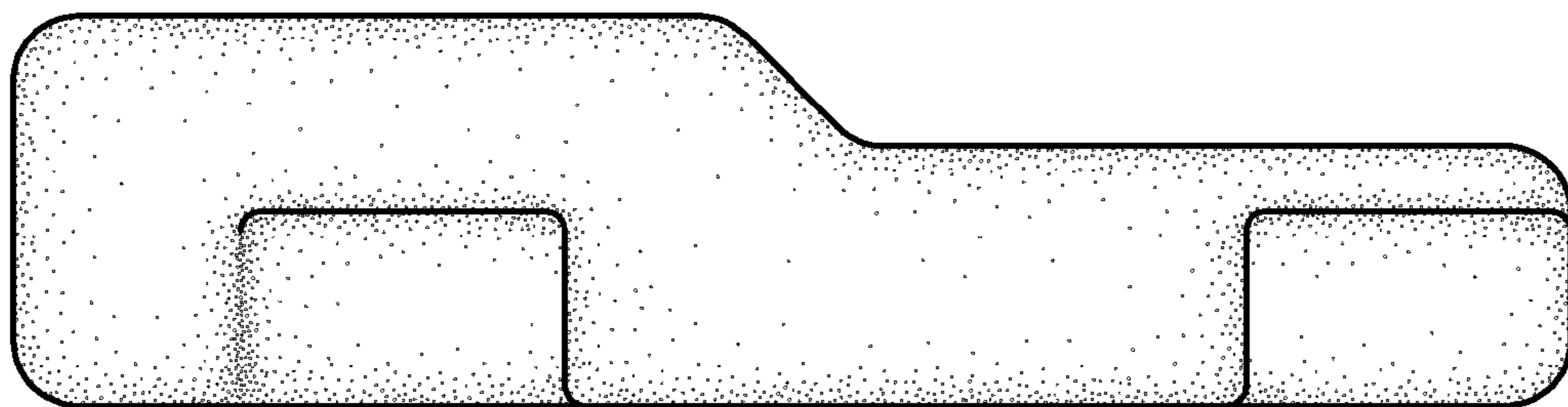


FIG.5

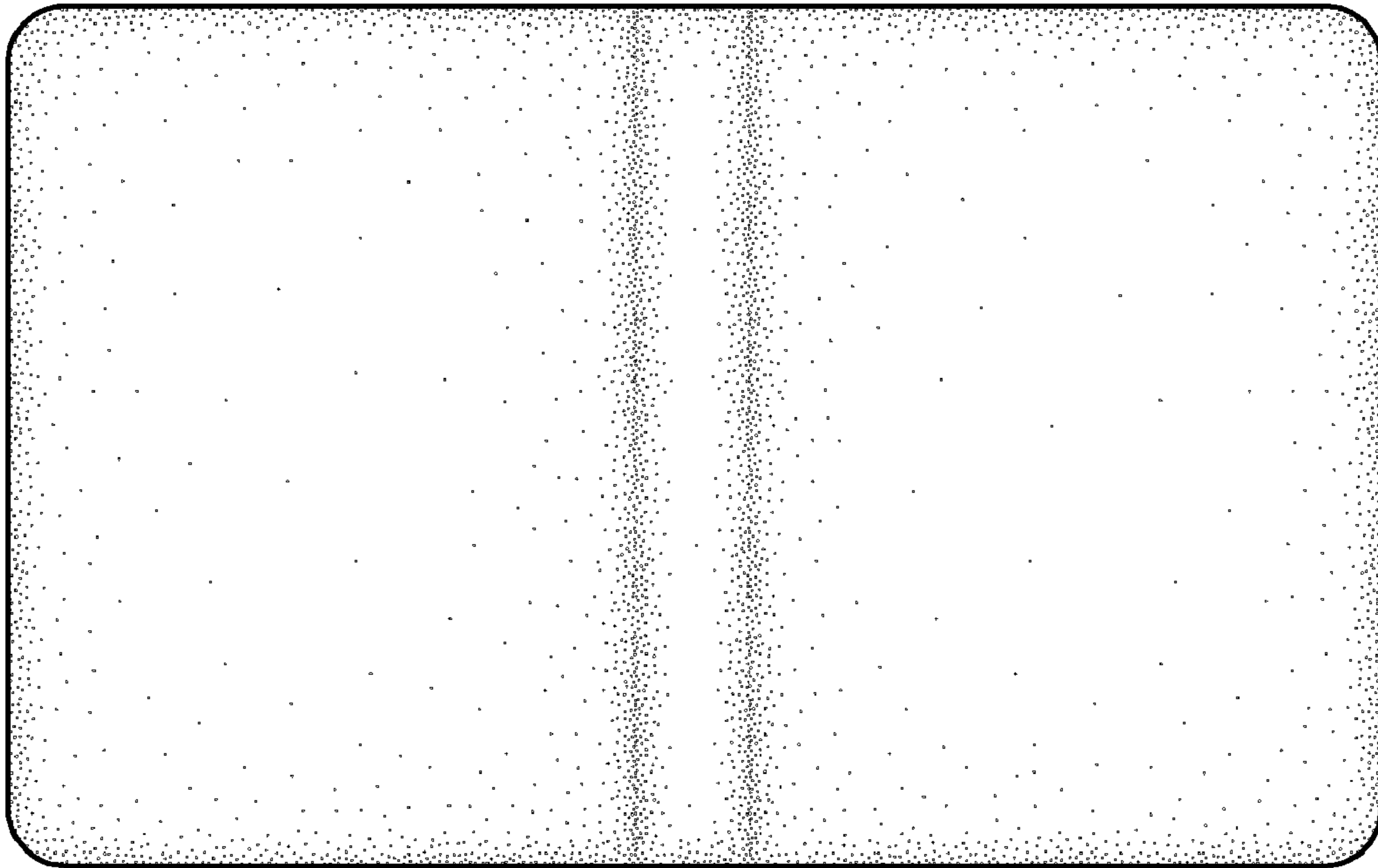


FIG. 6

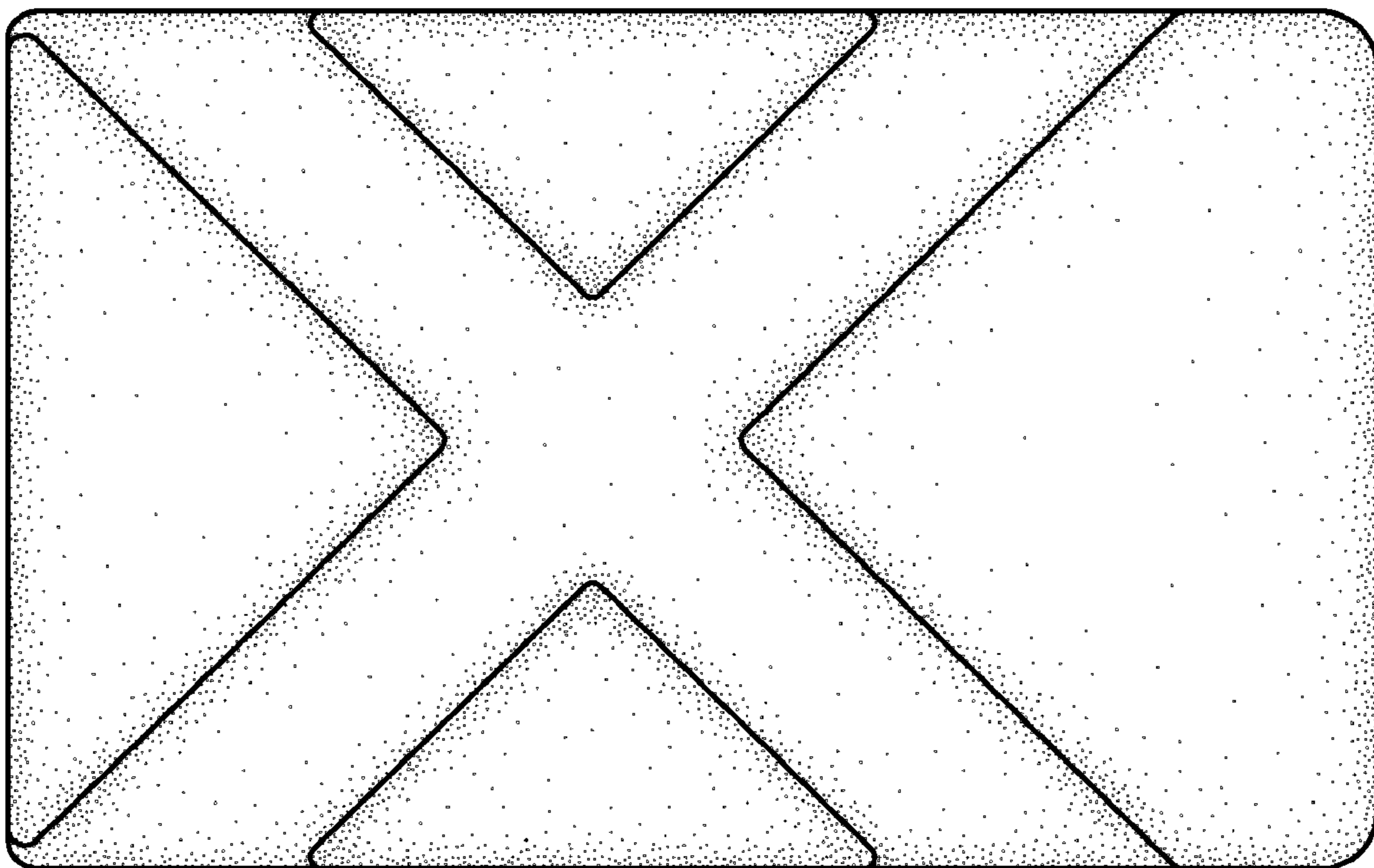


FIG. 7