



US00D618942S

(12) **United States Design Patent**
Lin

(10) **Patent No.:** **US D618,942 S**
(45) **Date of Patent:** **** Jul. 6, 2010**

(54) **FLOOR MAT**

D577,242 S * 9/2008 Hillson D6/582

(76) Inventor: **Chien-Jen Lin**, No. 121-1, Sec. 2,
Jhongshan Rd., Jhonghe City, Taipei
County 235 (TW)

* cited by examiner

Primary Examiner—Susan Bennett Hattan
Assistant Examiner—Barbara B Lohr

(**) Term: **14 Years**

(57) **CLAIM**

(21) Appl. No.: **29/328,691**

The ornamental design for the floor mat, as shown.

(22) Filed: **Dec. 1, 2008**

DESCRIPTION

(51) **LOC (9) Cl.** **06-11**

FIG. 1 is a perspective view of a floor mat showing our new design;

(52) **U.S. Cl.** **D6/582**

FIG. 2 is a front elevational view thereof;

(58) **Field of Classification Search** D6/582,

FIG. 3 is a rear elevational view thereof;

D6/583, 584, 585, 586, 587, 588, 589, 590,

FIG. 4 is a left side elevational view thereof;

D6/591, 592, 593, 594; D21/321, 349; D25/162,

FIG. 5 is a right side elevational view thereof;

D25/300; 5/420, 658; 428/45; 446/487

FIG. 6 is a top plan view thereof;

See application file for complete search history.

FIG. 7 is a bottom plan view thereof; and,

(56) **References Cited**

FIG. 8 is a perspective view showing the use of floor mat.

U.S. PATENT DOCUMENTS

The broken lines in the drawing depict environmental subject matter only and form no part of the claimed design.

D301,530 S * 6/1989 Jonker D6/585

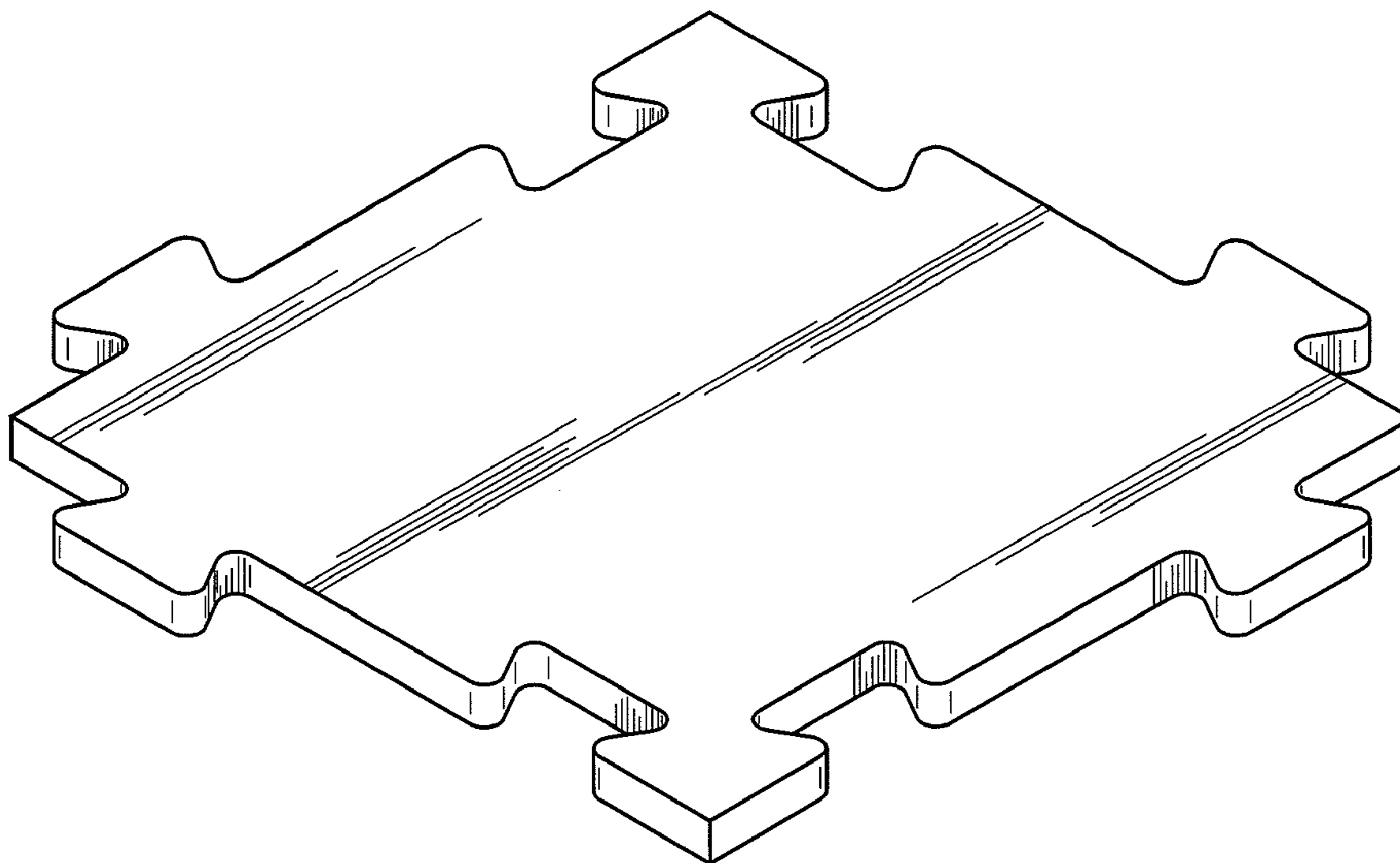
D448,596 S * 10/2001 Sublet D6/582

D492,426 S * 6/2004 Strickler D25/162

D552,909 S * 10/2007 McGrath et al. D6/582

D575,092 S * 8/2008 Hillson D6/582

1 Claim, 8 Drawing Sheets



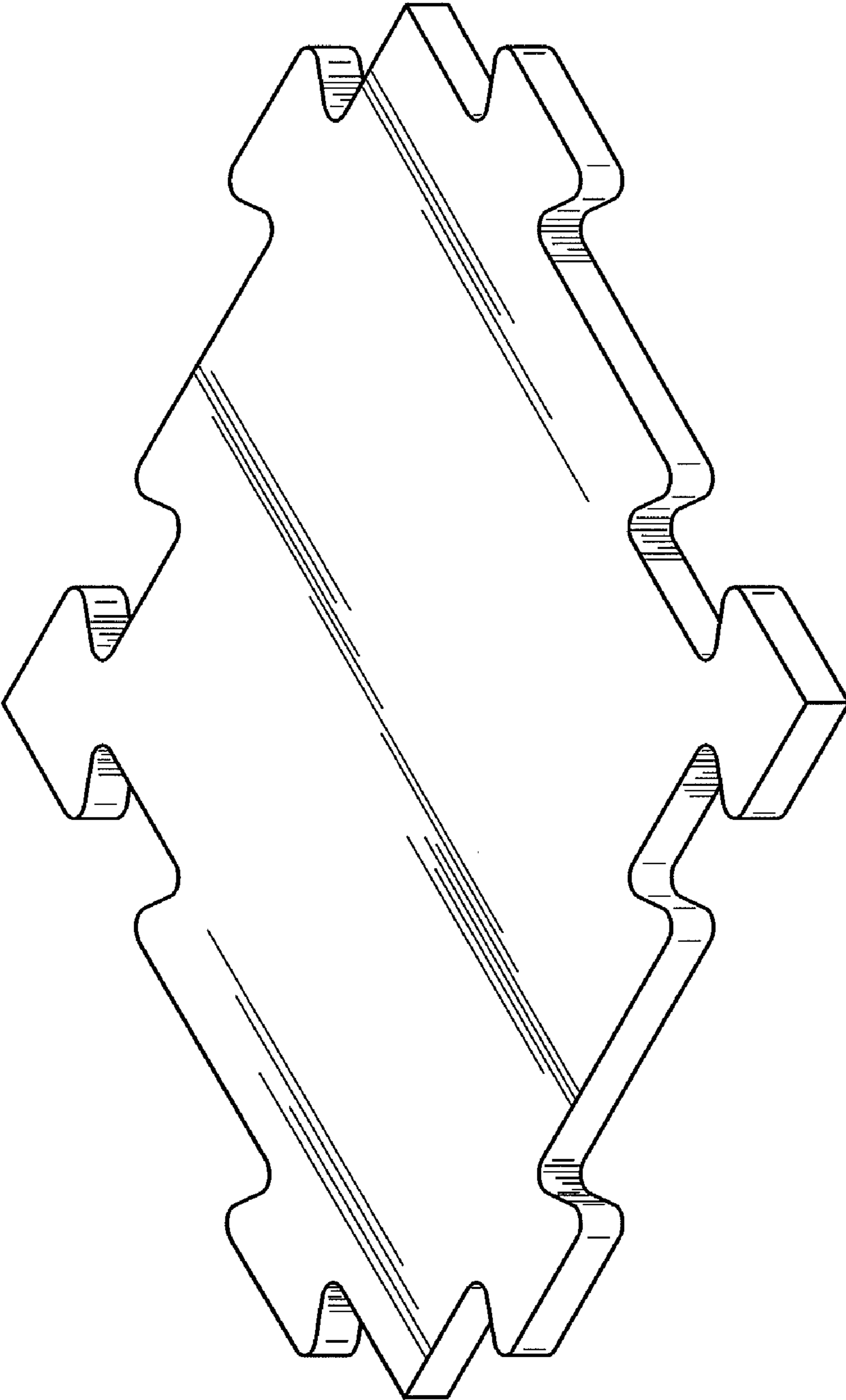


FIG.1

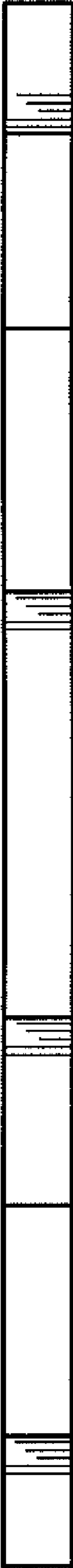


FIG.2

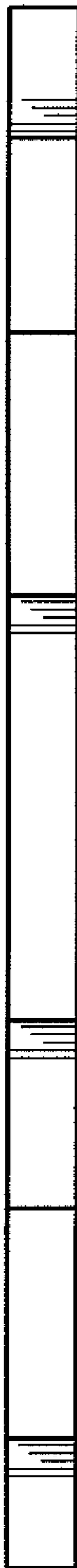


FIG.3



FIG.4



FIG. 5

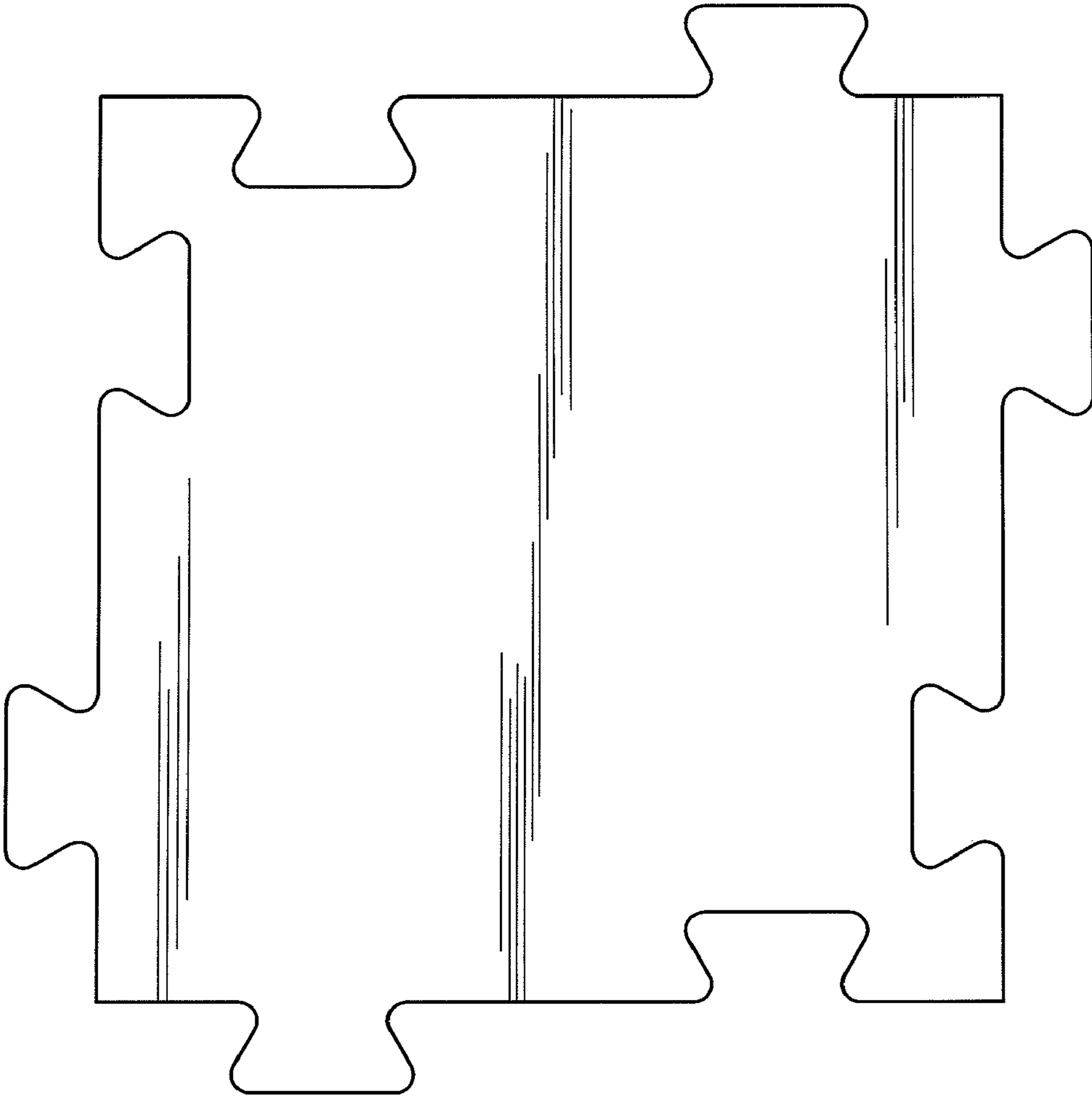


FIG.6

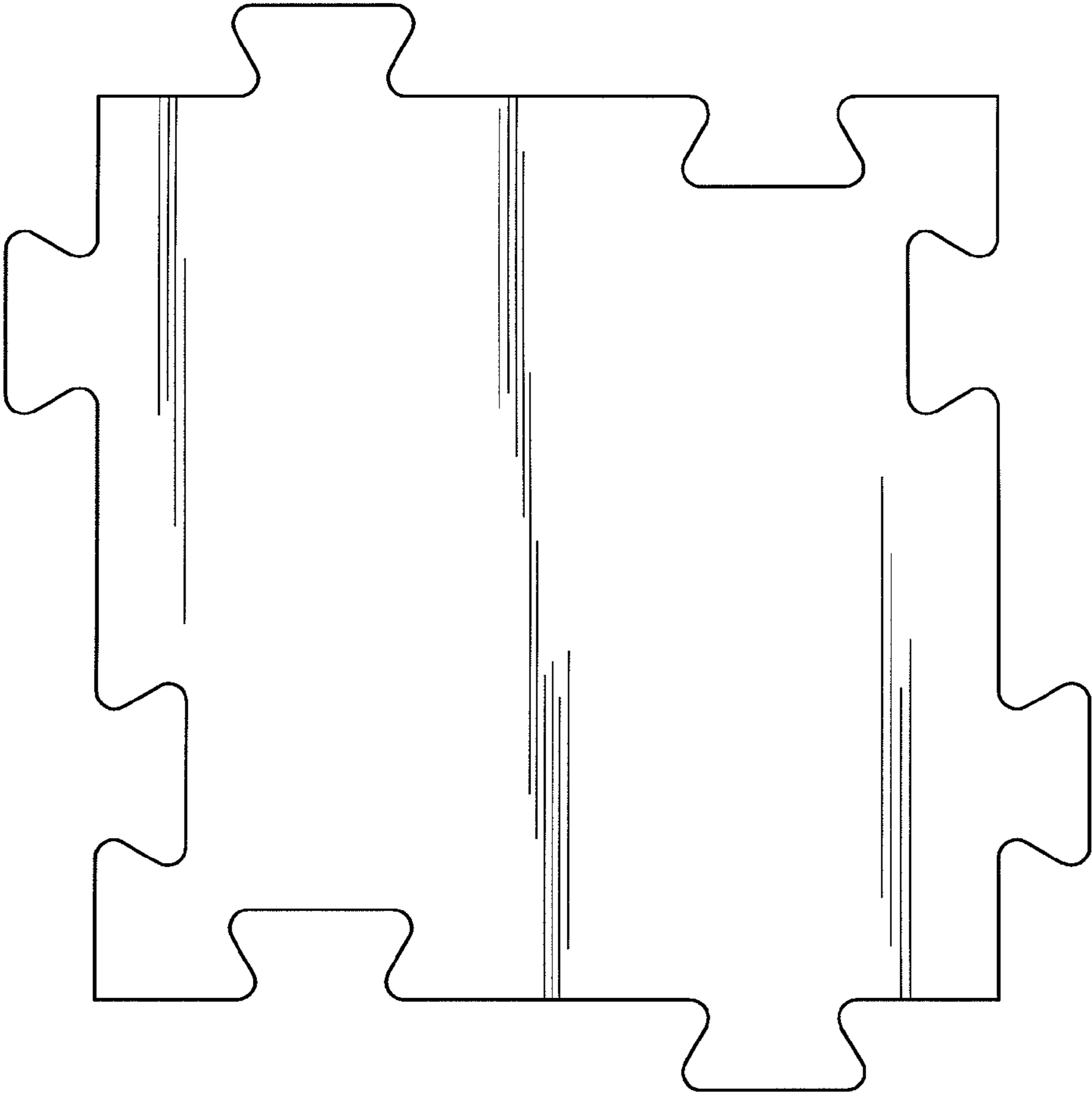


FIG.7

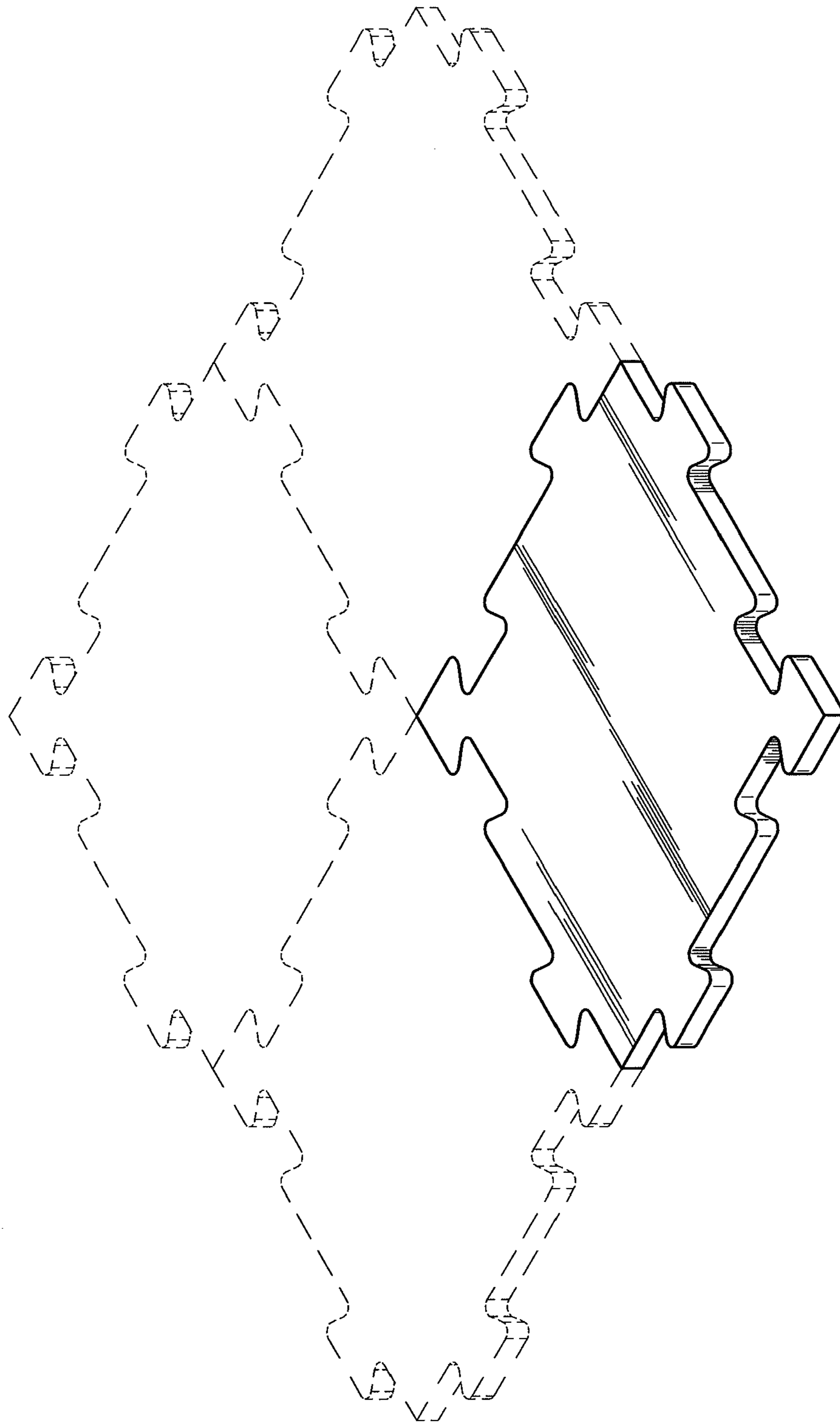


FIG.8