



US00D618941S

(12) **United States Design Patent**
Chou

(10) **Patent No.:** **US D618,941 S**
(45) **Date of Patent:** **** Jul. 6, 2010**

(54) **WHEEL SEAT FOR WINDOW CURTAIN'S PULLING STRING**

D569,158 S * 5/2008 Chou D6/580

(76) Inventor: **Tser Wen Chou**, 1 A, 3 F, No. 176, Jiankang Road, Taipei City (TW)

* cited by examiner

Primary Examiner—Robert M Spear
Assistant Examiner—Barbara B Lohr
(74) *Attorney, Agent, or Firm*—Ming Chow; Sinorica, LLC

(**) Term: **14 Years**

(21) Appl. No.: **29/357,123**

(57) **CLAIM**

(22) Filed: **Mar. 8, 2010**

The ornamental design for a wheel seat for the window curtain's pulling string, as shown and described.

(51) **LOC (9) Cl.** **06-10**

(52) **U.S. Cl.** **D6/580**

(58) **Field of Classification Search** D6/580, D6/581, 582, 583, 584, 585, 586, 587; 160/84.02, 160/84.3-84.08, 126, 177 R, 321, 323.1, 160/307; D3/260; D20/44

See application file for complete search history.

DESCRIPTION

FIG. 1 is a perspective view of a wheel seat for the window curtain's pulling string showing my new design;

FIG. 2 is a front view thereof;

FIG. 3 is a rear view thereof;

FIG. 4 is a left side view thereof;

FIG. 5 is a right side view thereof;

FIG. 6 is a top view thereof;

FIG. 7 is a bottom view thereof; and,

FIG. 8 is a bottom perspective view thereof.

(56) **References Cited**

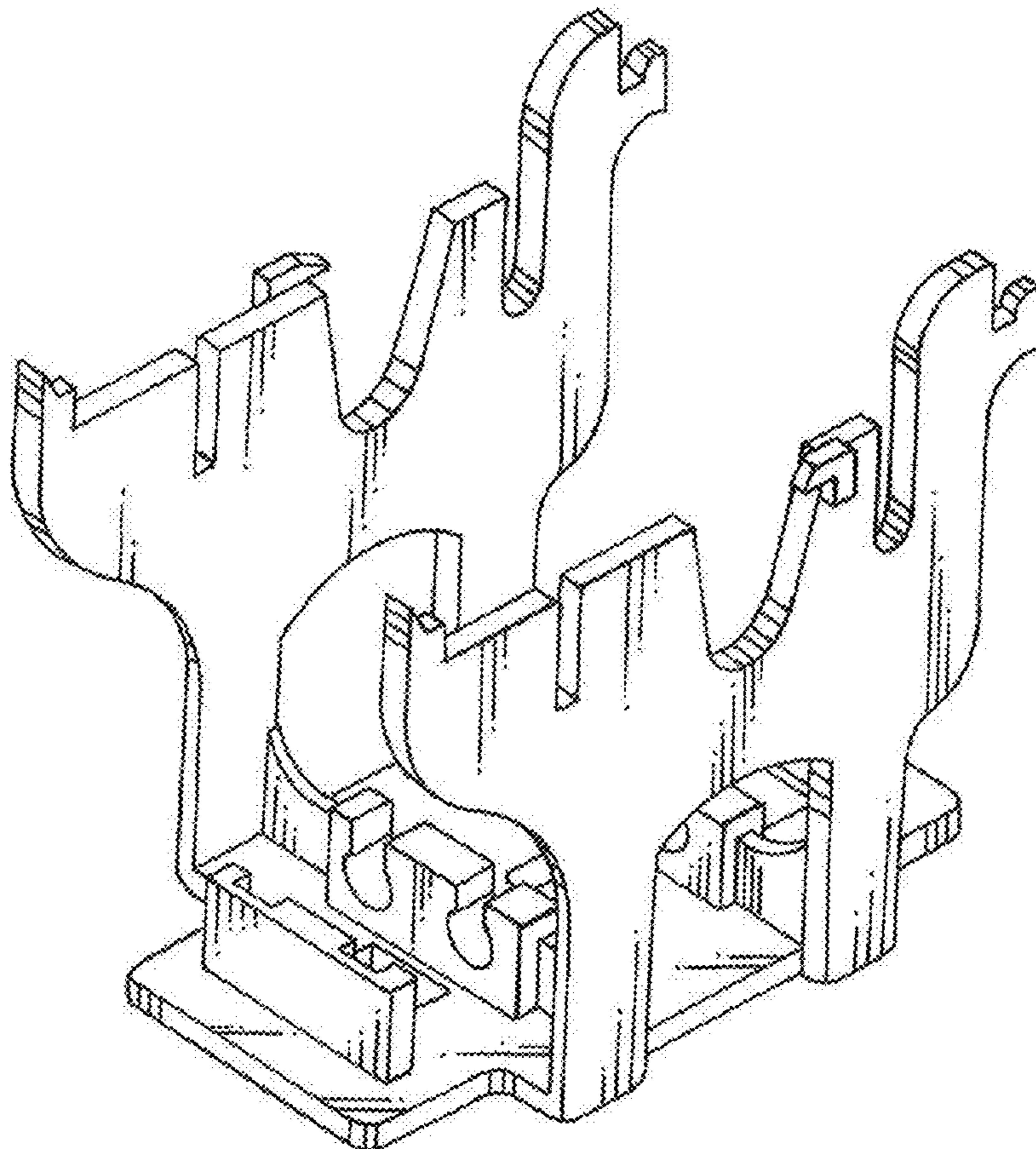
U.S. PATENT DOCUMENTS

D453,440 S * 2/2002 Fraser et al. D6/580

D486,987 S * 2/2004 Tyner D6/580

D569,157 S * 5/2008 Liu D6/580

1 Claim, 5 Drawing Sheets



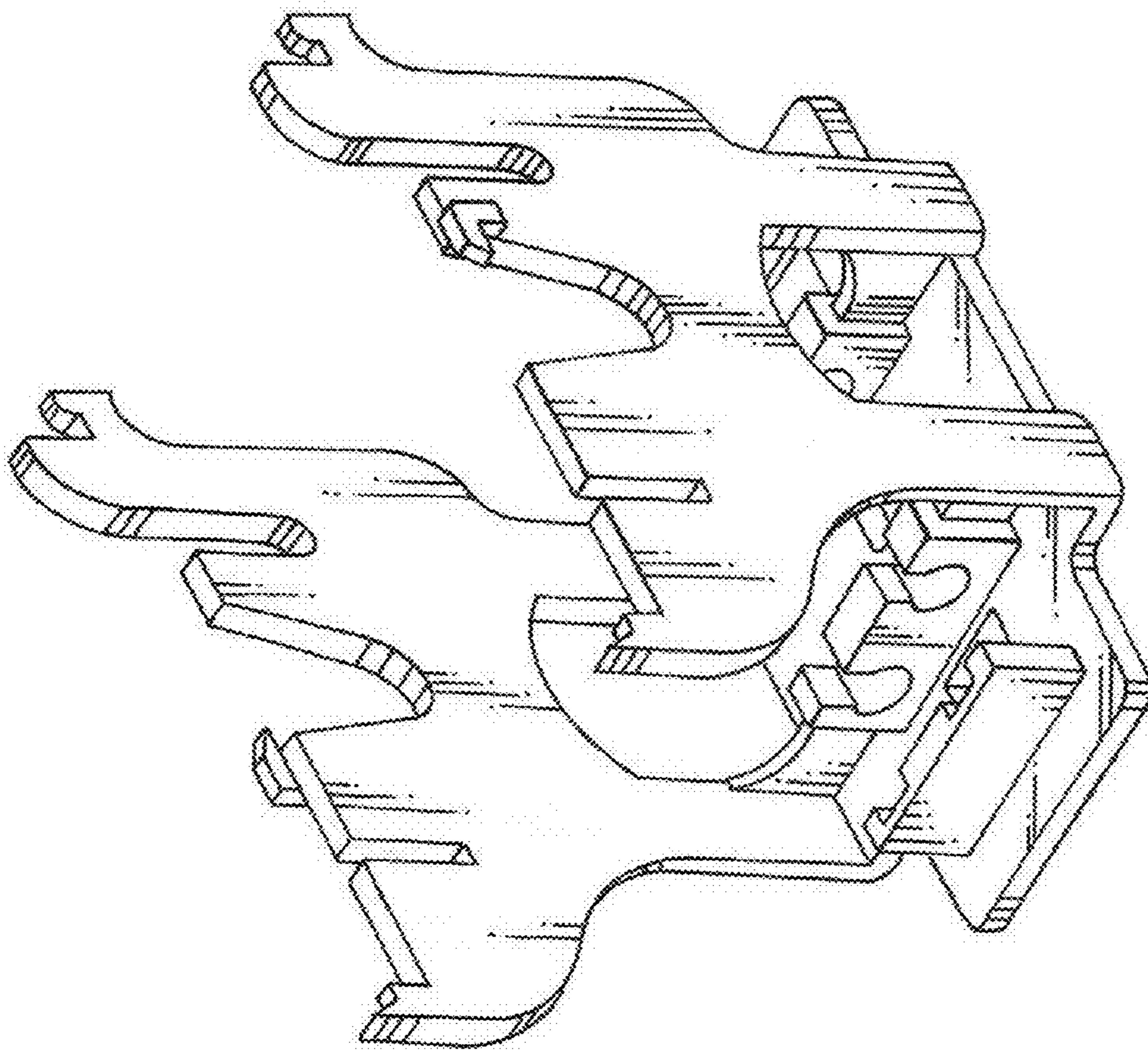


FIG 1

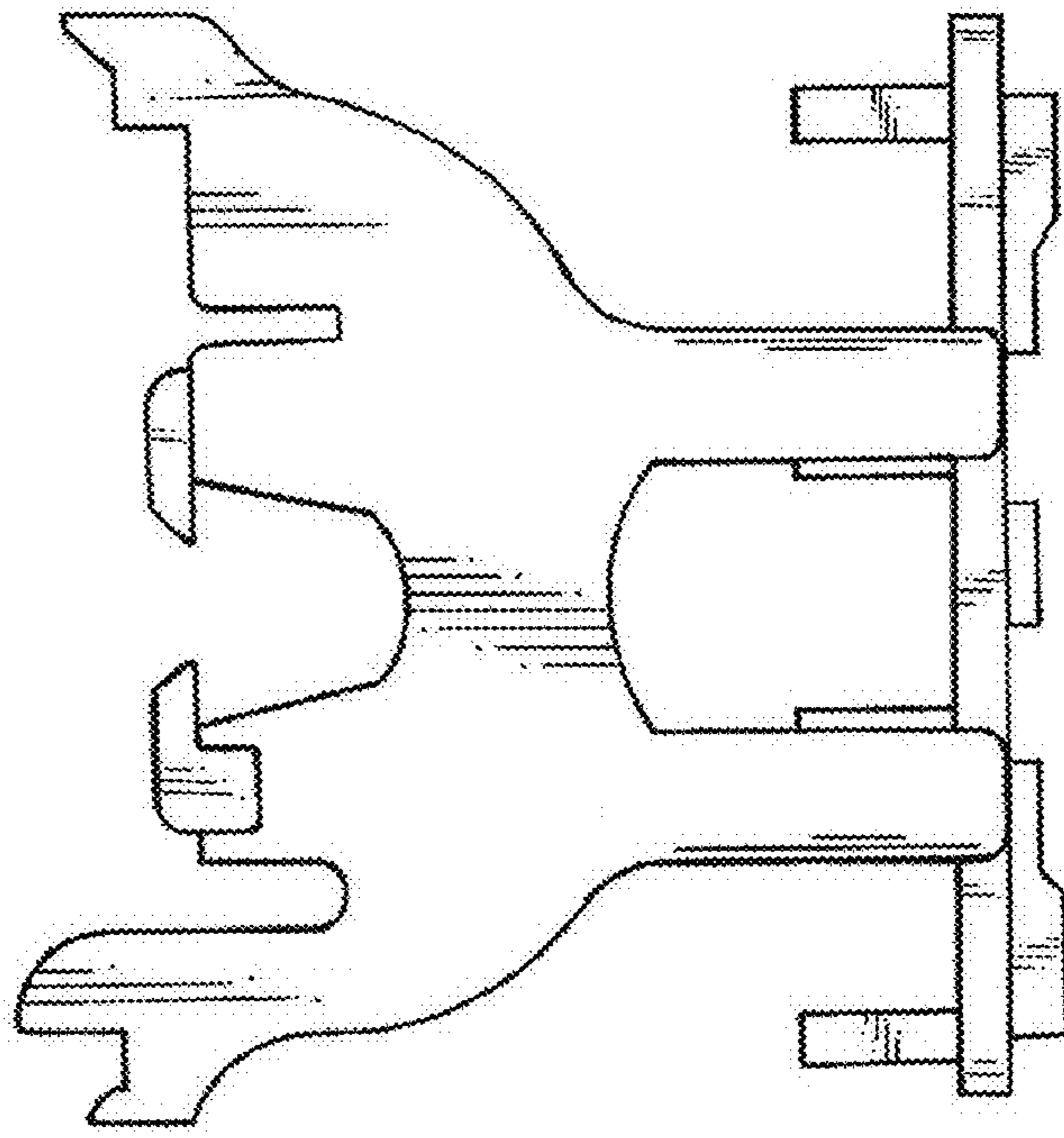


FIG 3

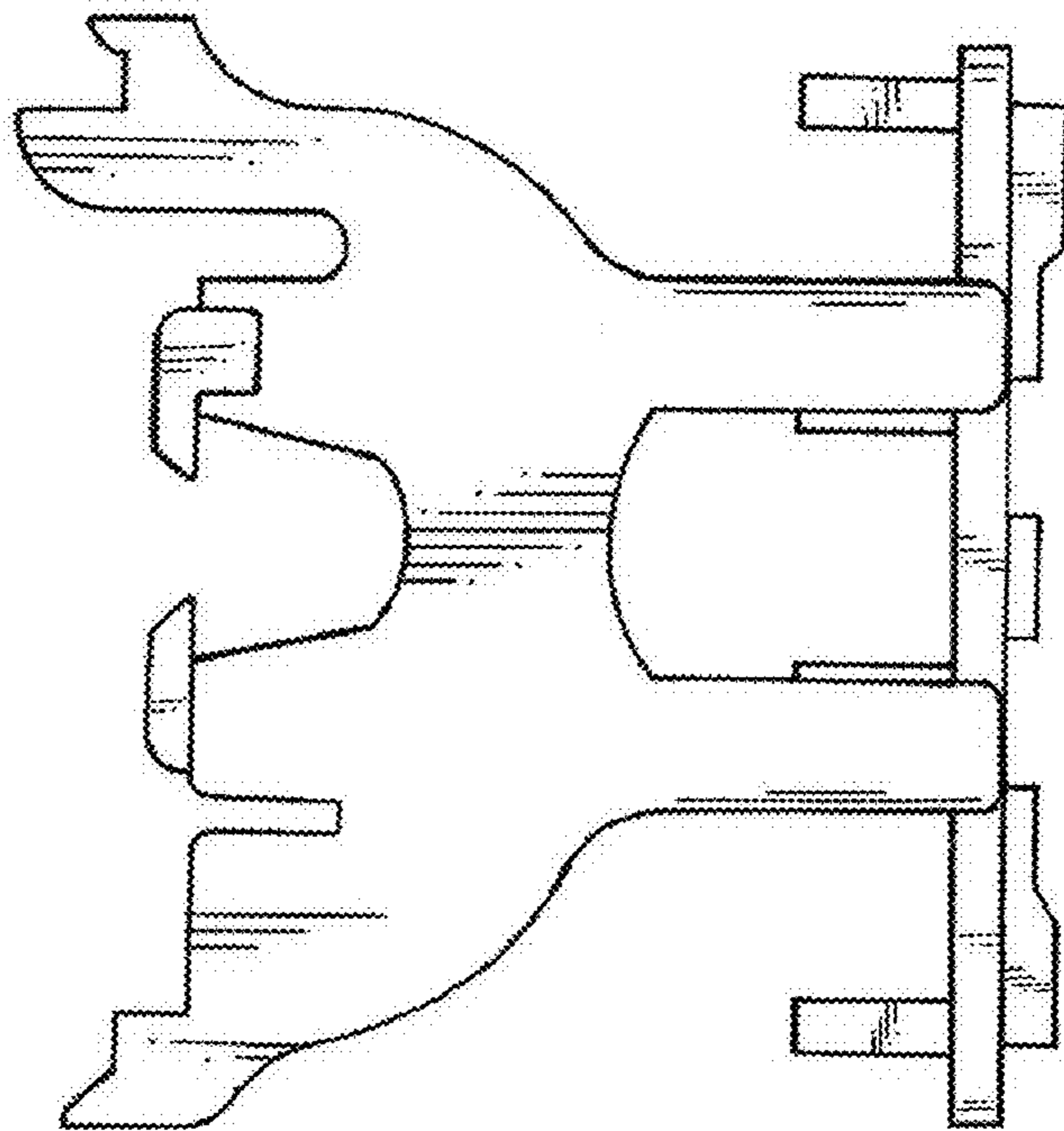


FIG 2

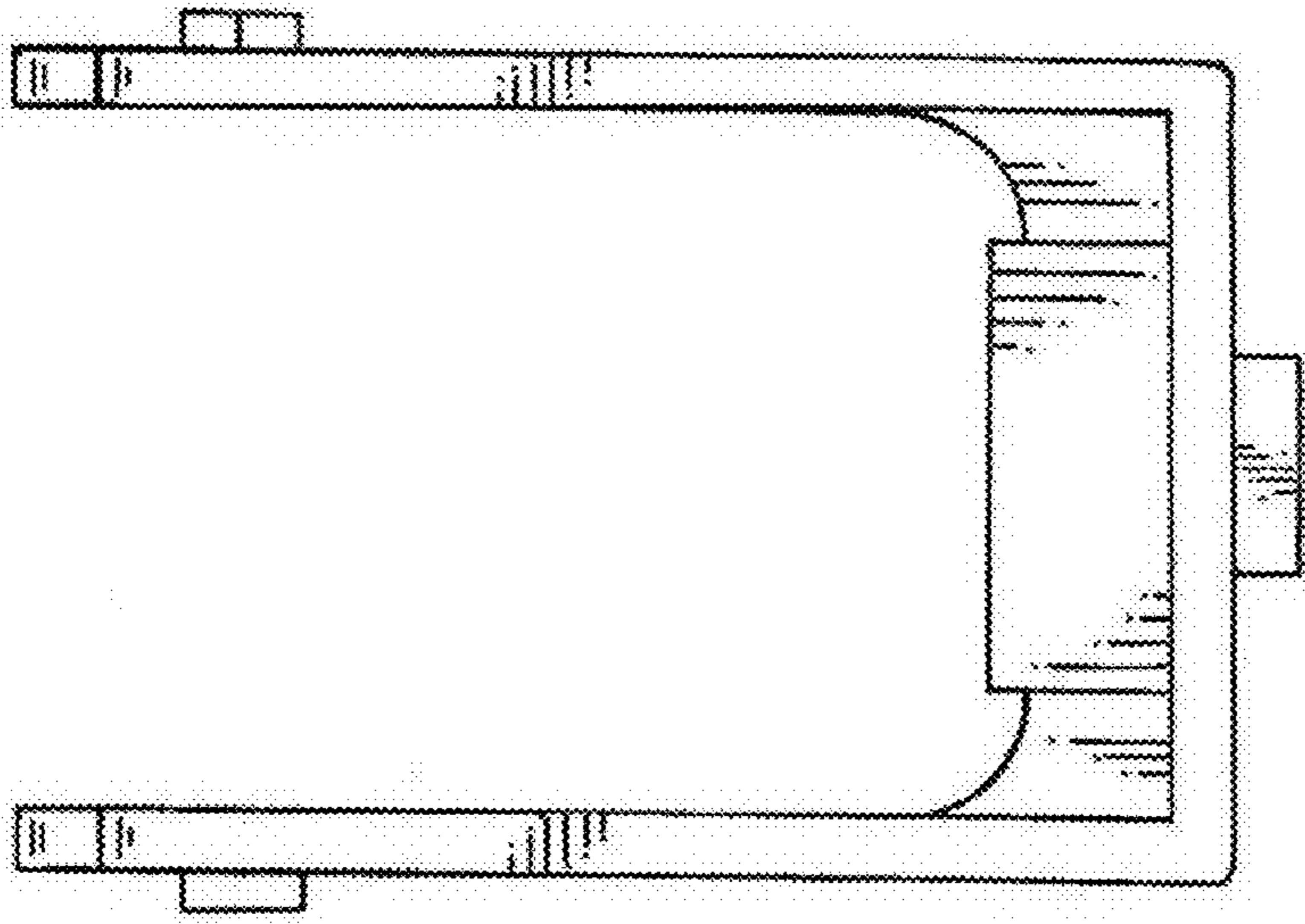


FIG 5

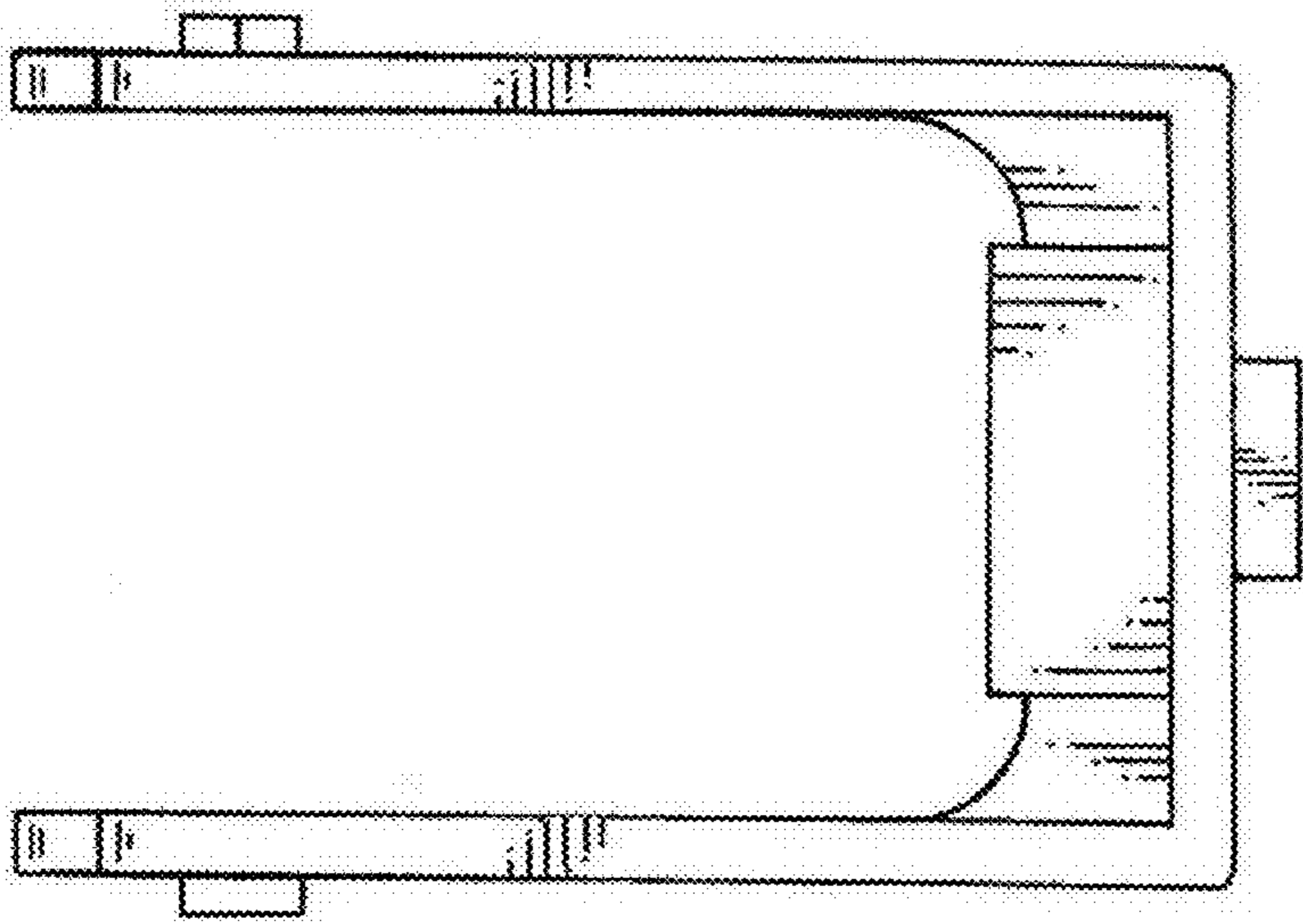


FIG 4

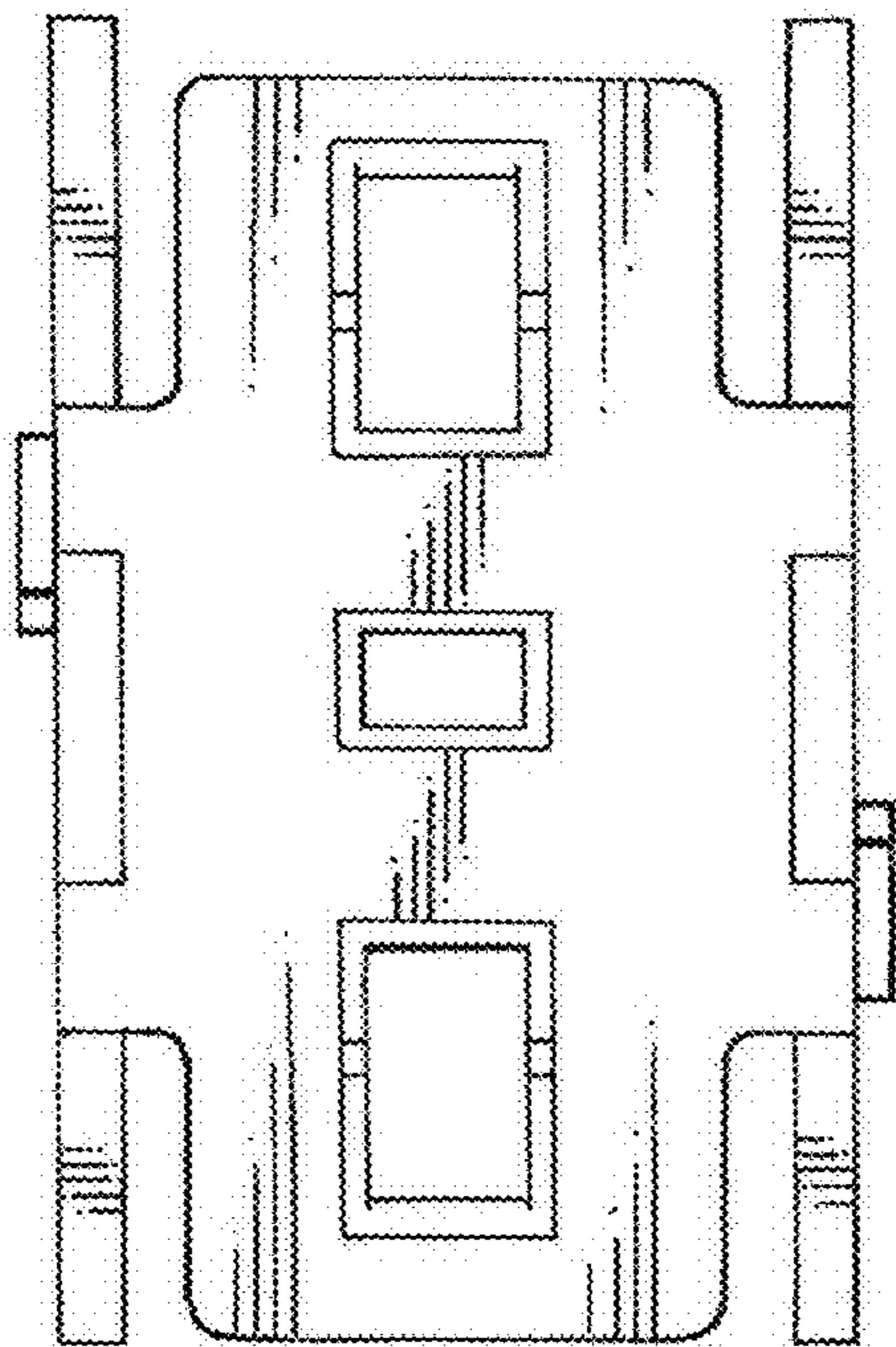


FIG 7

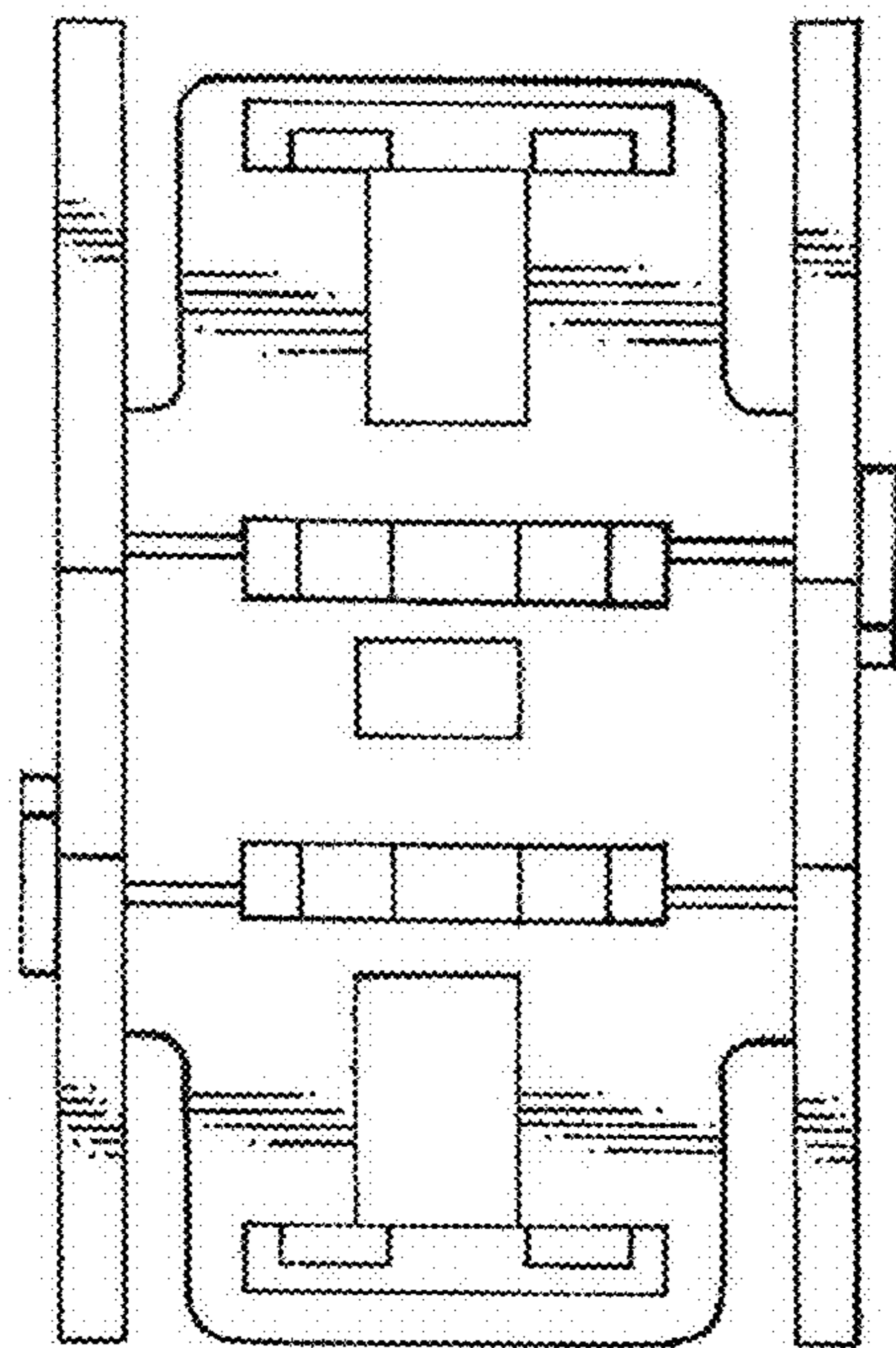


FIG 6

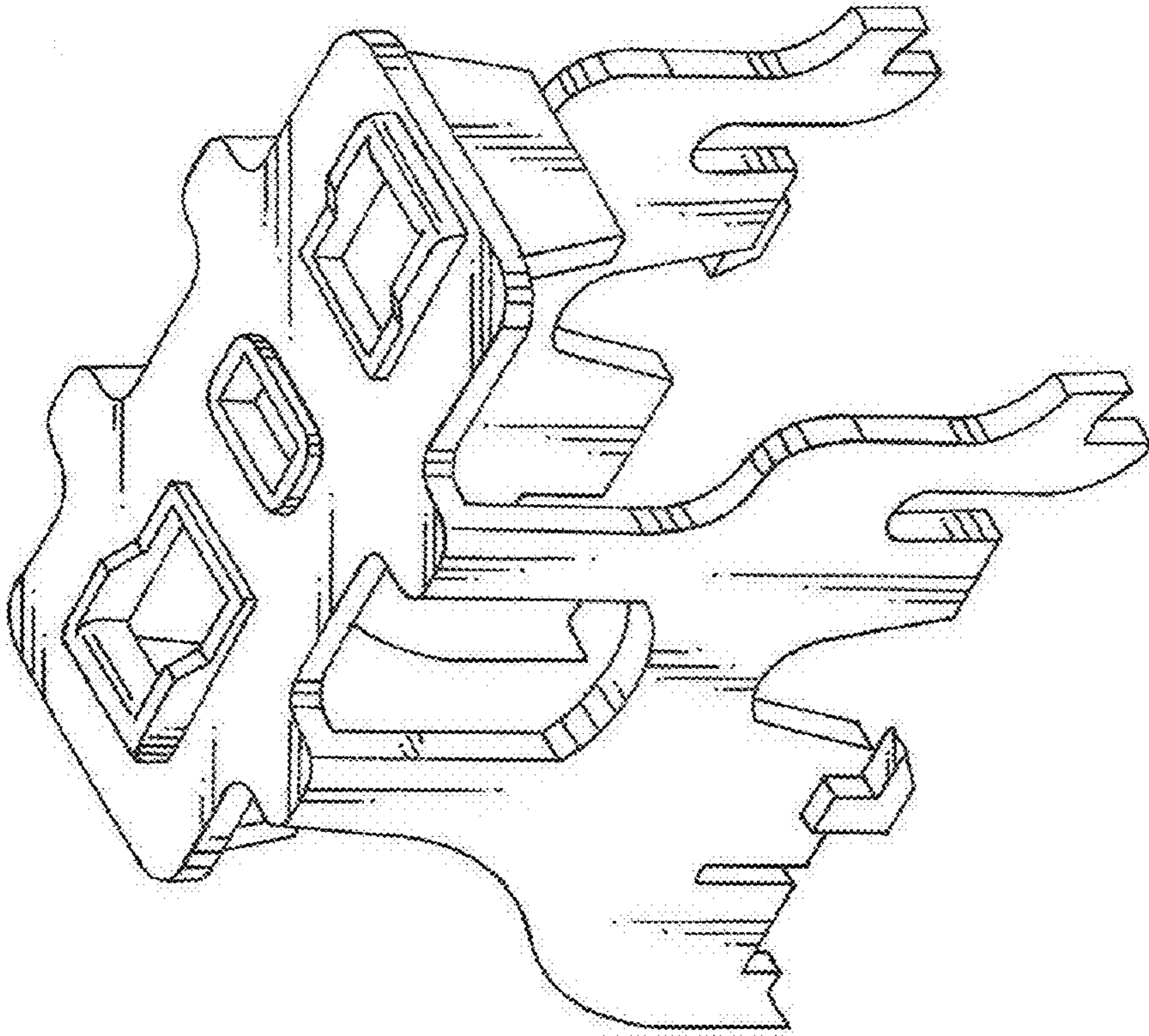


FIG 8