



US00D618940S

(12) **United States Design Patent**
Chou

(10) **Patent No.:** **US D618,940 S**

(45) **Date of Patent:** **** Jul. 6, 2010**

(54) **WINDOW BLIND STRING HOLDER**

(76) **Inventor:** **Tser Wen Chou**, 1A, 3F., No. 176,
Jiankang Road, Taipei City (TW)

(**) **Term:** **14 Years**

(21) **Appl. No.:** **29/345,103**

(22) **Filed:** **Oct. 9, 2009**

(51) **LOC (9) Cl.** **06-10**

(52) **U.S. Cl.** **D6/580**

(58) **Field of Classification Search** D6/575,
D6/576, 577, 578, 579, 580, 581; 160/38,
160/39, 168.1, 168.1 R, 168.1 V, 173, 173 R,
160/176.1 R, 176.1 V, 177, 178.1, 178.1 R,
160/178.2, 331, 349.1, 349.2; 318/16, 17;
D8/354; 340/854.5; 84/10

See application file for complete search history.

(56) **References Cited**

U.S. PATENT DOCUMENTS

| | | | | |
|--------------|--------|---------------|-------|--------|
| D427,054 S * | 6/2000 | Markarian | | D6/580 |
| D440,445 S * | 4/2001 | Fraser | | D6/580 |
| D453,440 S * | 2/2002 | Fraser et al. | | D6/580 |
| D479,080 S * | 9/2003 | Damiano | | D6/580 |
| D541,566 S * | 5/2007 | Allsopp | | D6/580 |
| D568,083 S * | 5/2008 | Chou | | D6/580 |
| D568,663 S * | 5/2008 | Chou | | D6/580 |

| | | | | |
|--------------|--------|------|-------|--------|
| D569,157 S * | 5/2008 | Liu | | D6/580 |
| D569,158 S * | 5/2008 | Chou | | D6/580 |

* cited by examiner

Primary Examiner—Robert M Spear

Assistant Examiner—Barbara B Lohr

(74) *Attorney, Agent, or Firm*—Ming Chow; Sinorica, LLC

(57) **CLAIM**

The ornamental design for a window blind string holder, as shown and described.

DESCRIPTION

FIG. 1 is a perspective view of a window blind string holder;

FIG. 2 is a front view thereof;

FIG. 3 is a rear view thereof;

FIG. 4 is a right side view thereof;

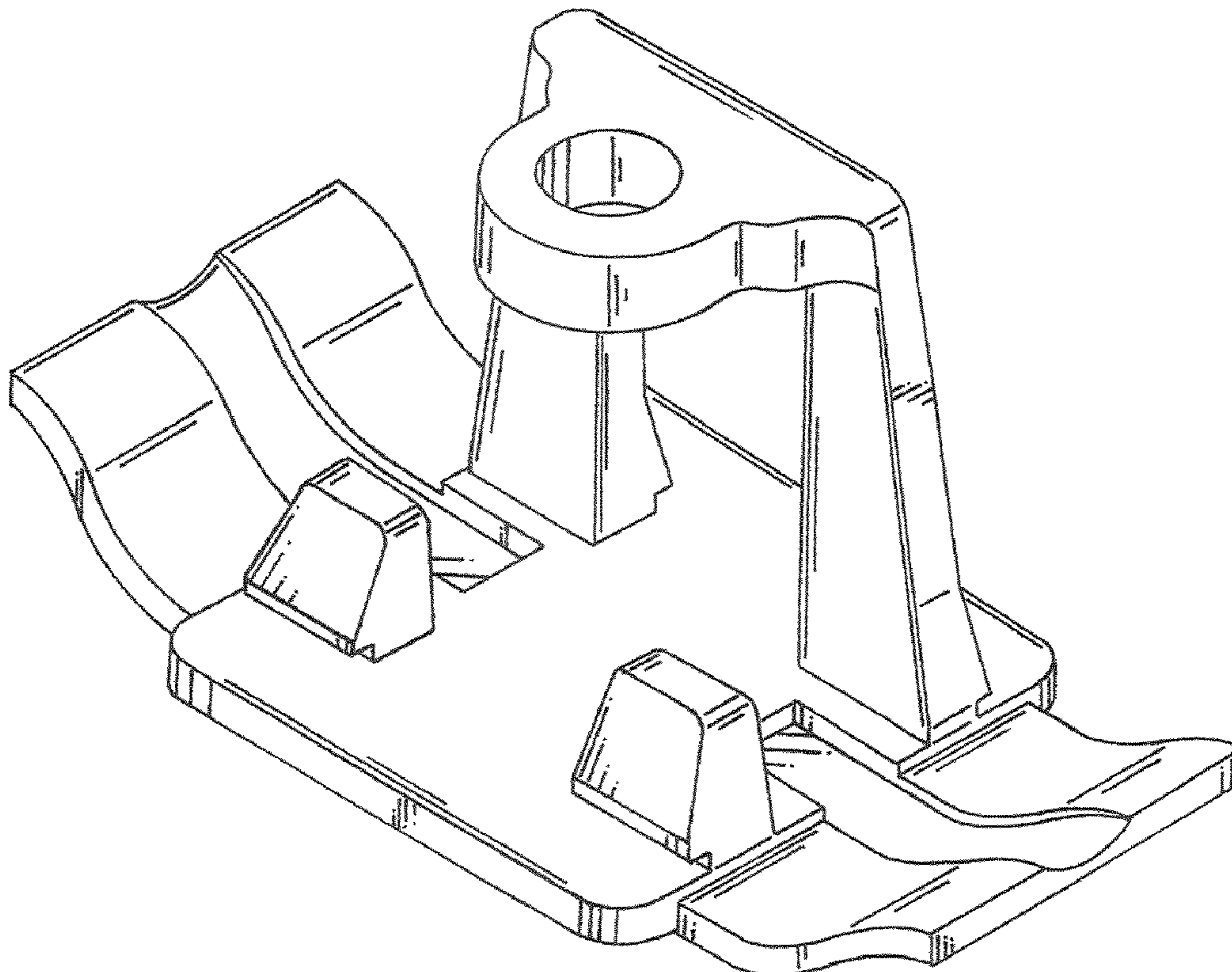
FIG. 5 is a left side view thereof;

FIG. 6 is a top view thereof;

FIG. 7 is a bottom view thereof; and,

FIG. 8 is a rear view of the window blind string holder shown in condition of use with broken line environmental structure. The broken line showing of environmental structure is for illustrative purposes only and forms no part of the claimed design.

1 Claim, 5 Drawing Sheets



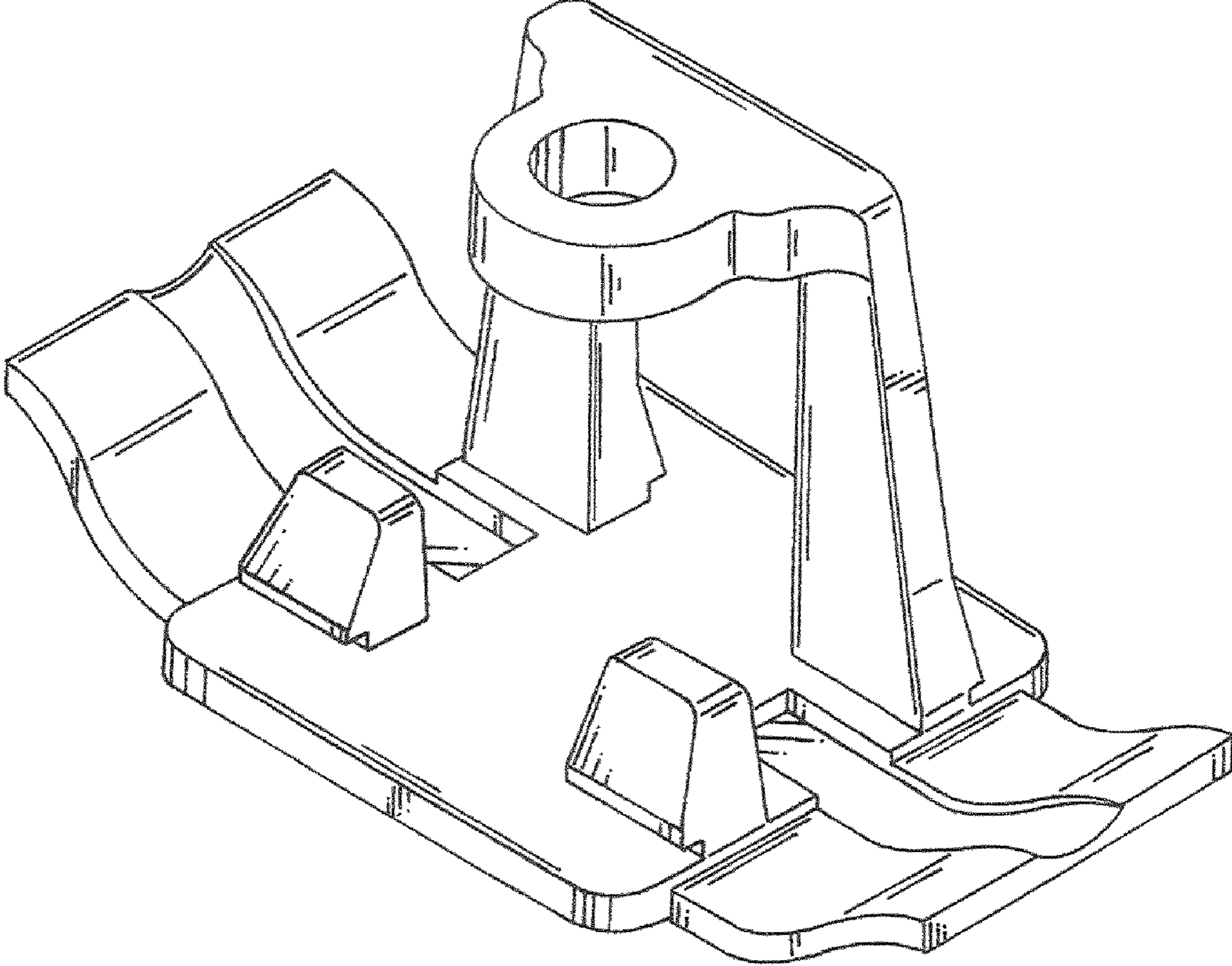


FIG 1

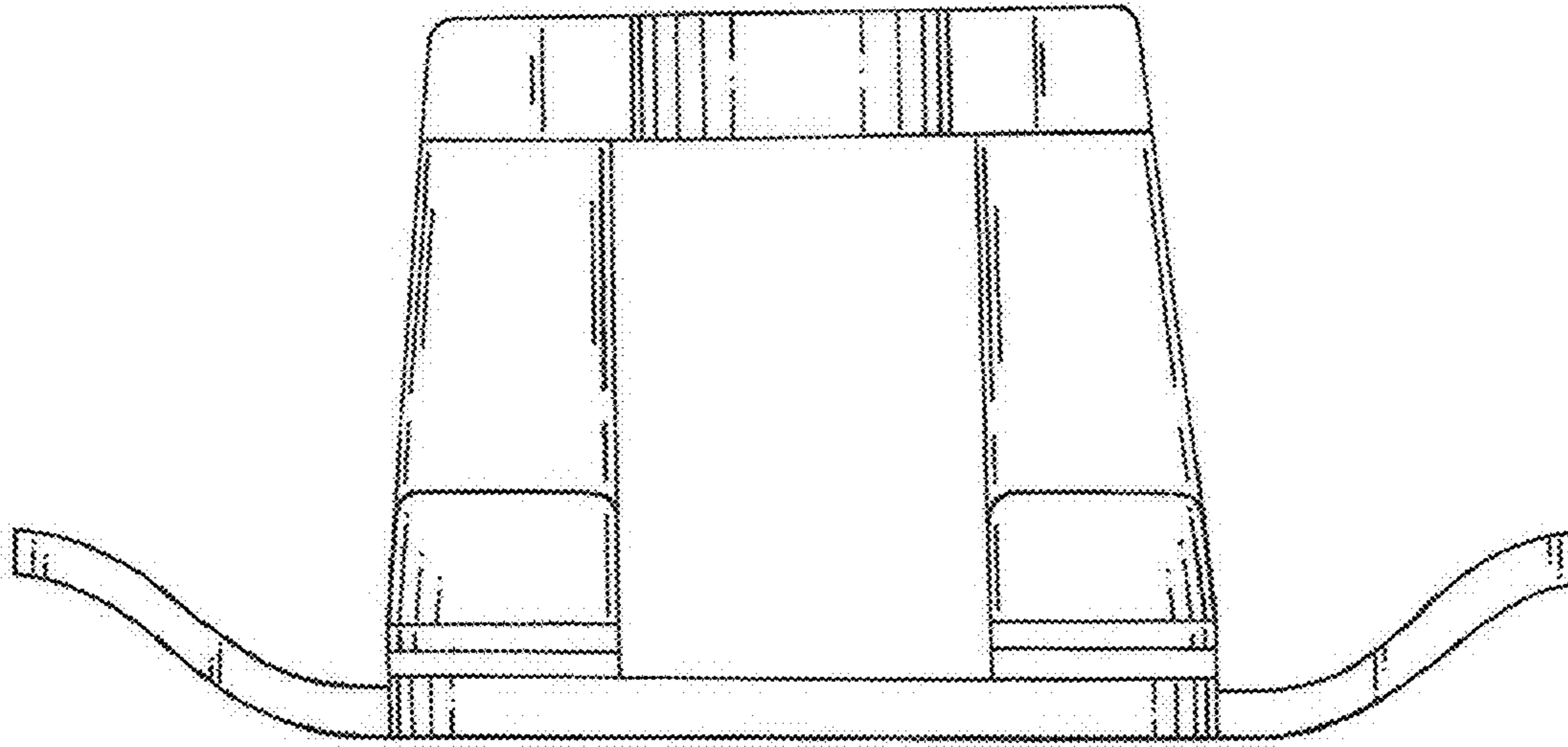


FIG 2

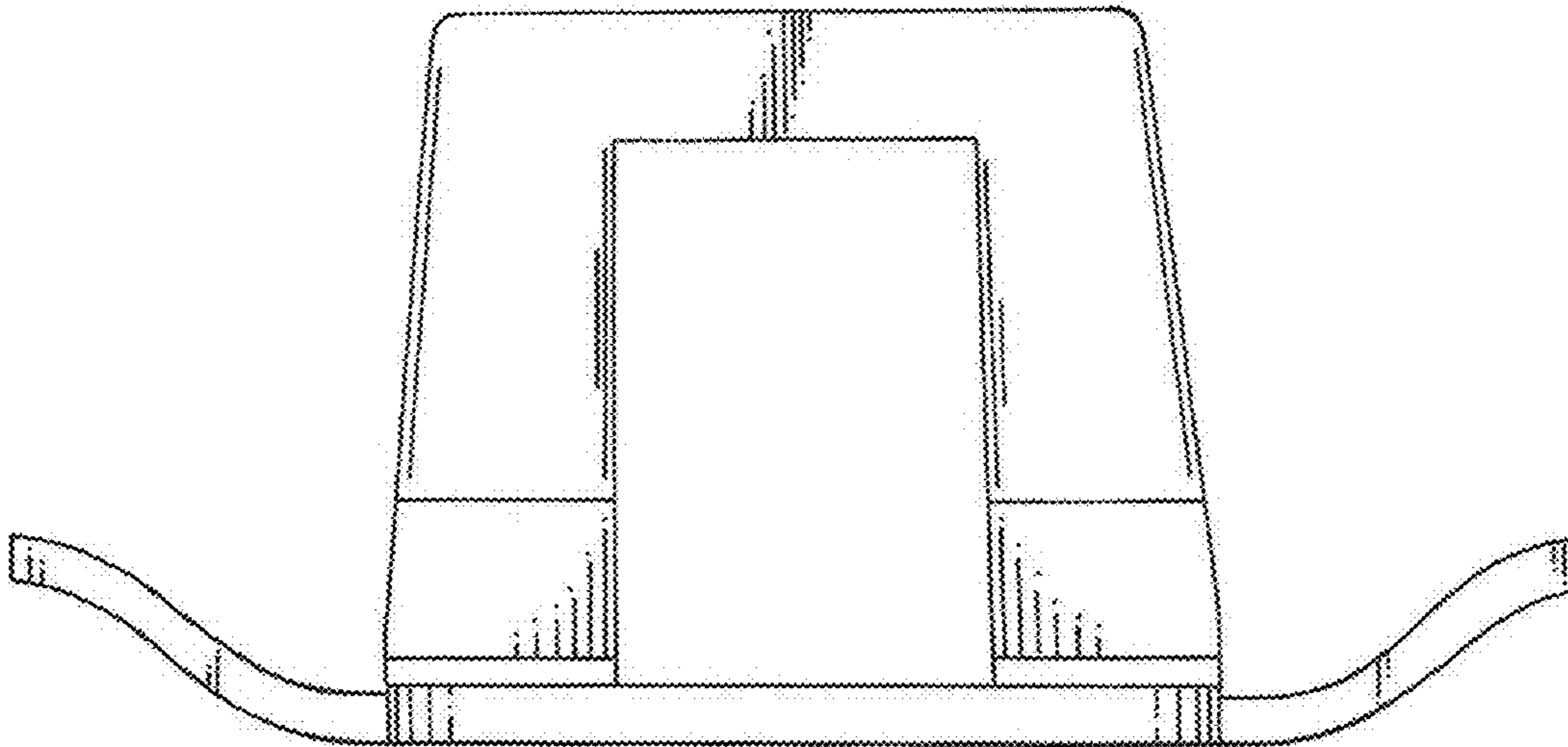


FIG 3

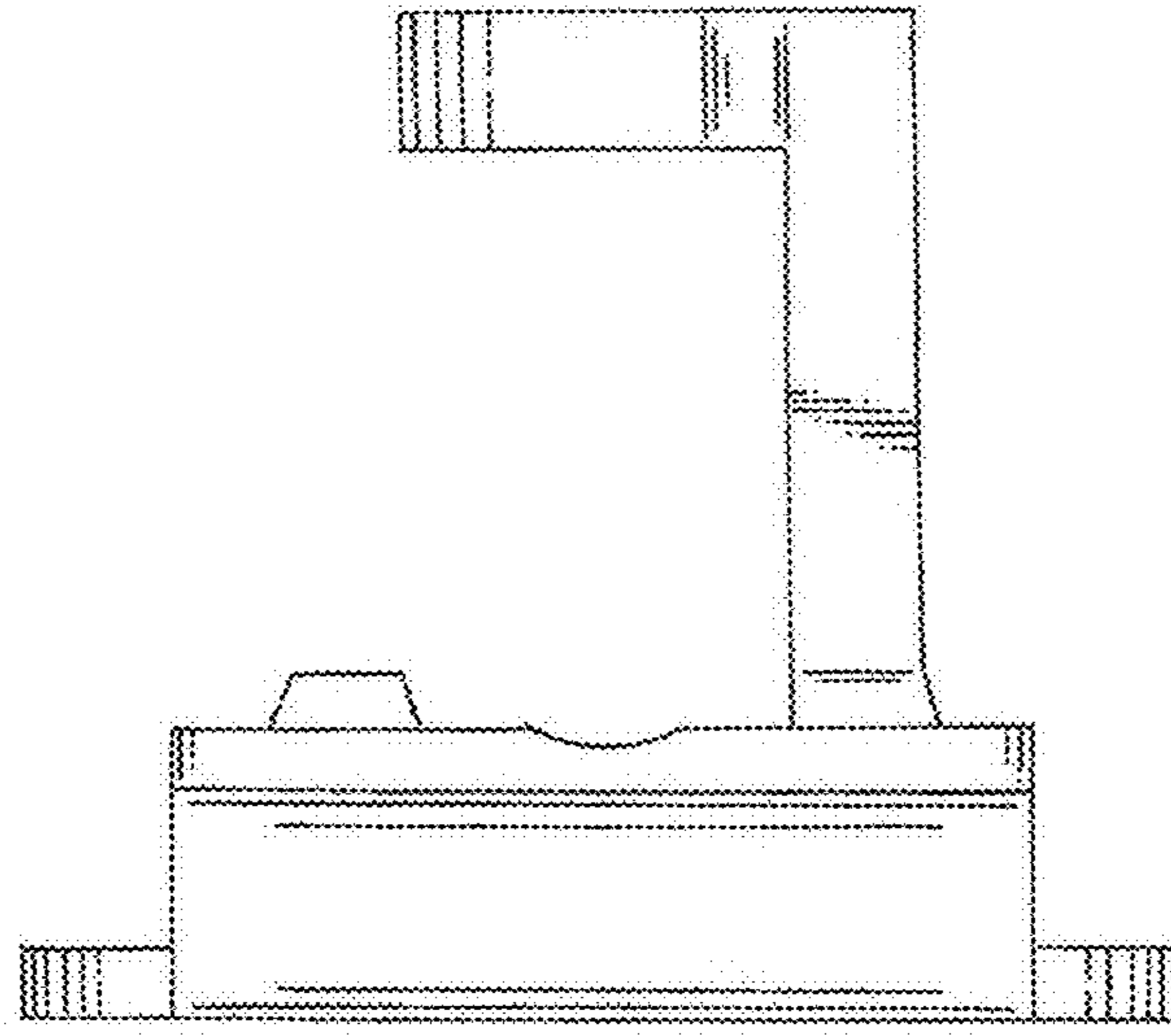


FIG 4

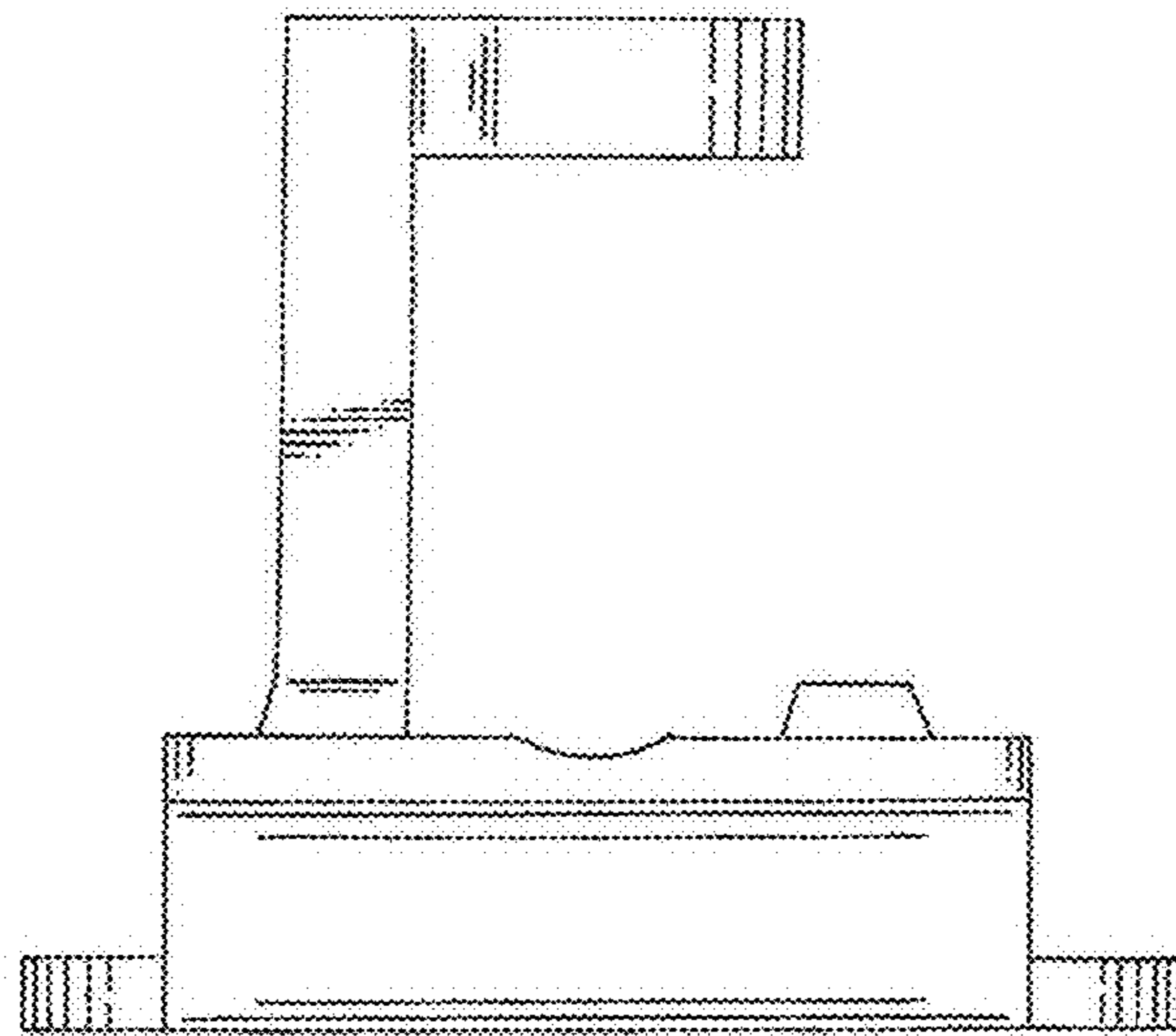


FIG 5

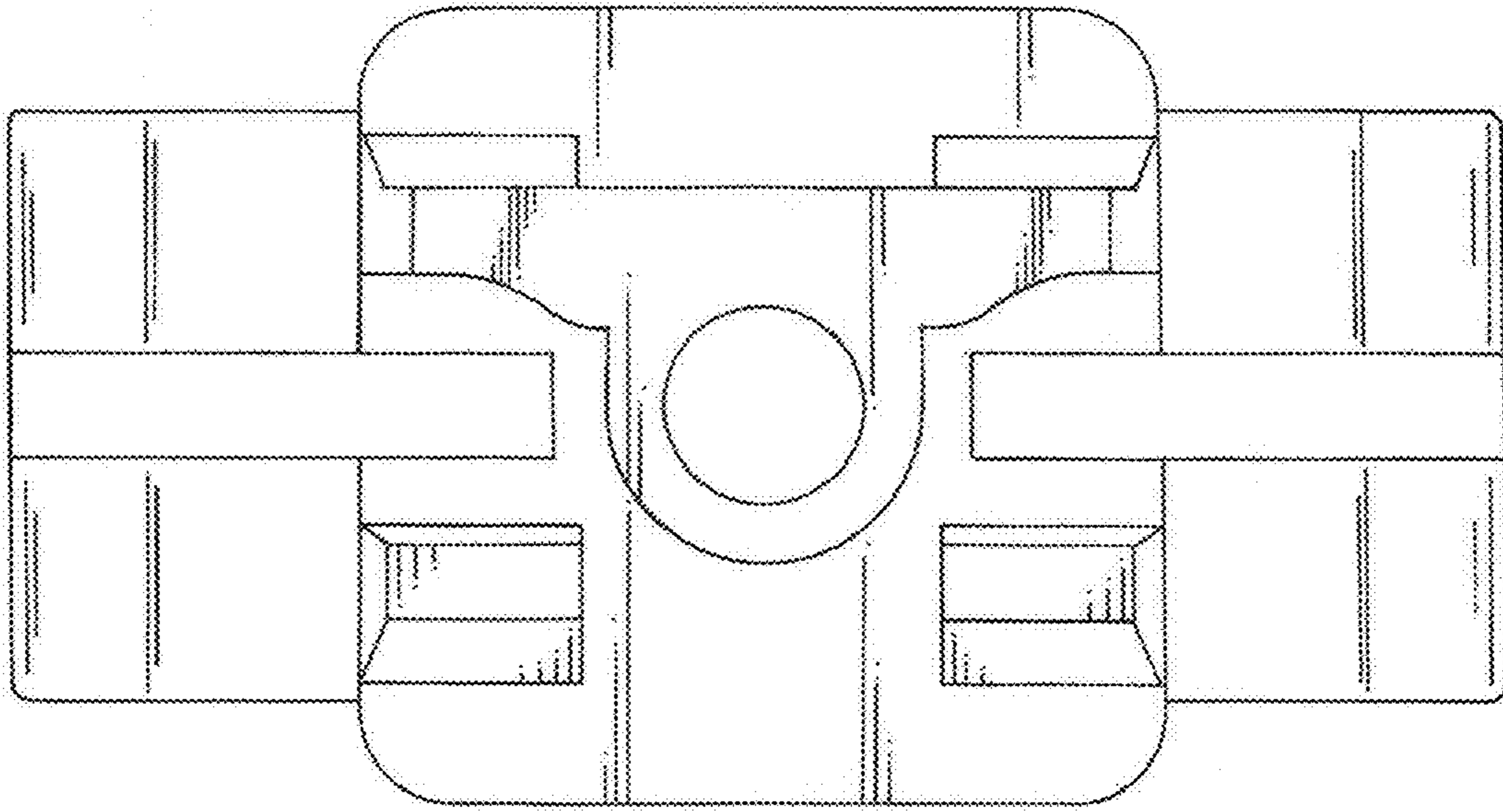


FIG 6

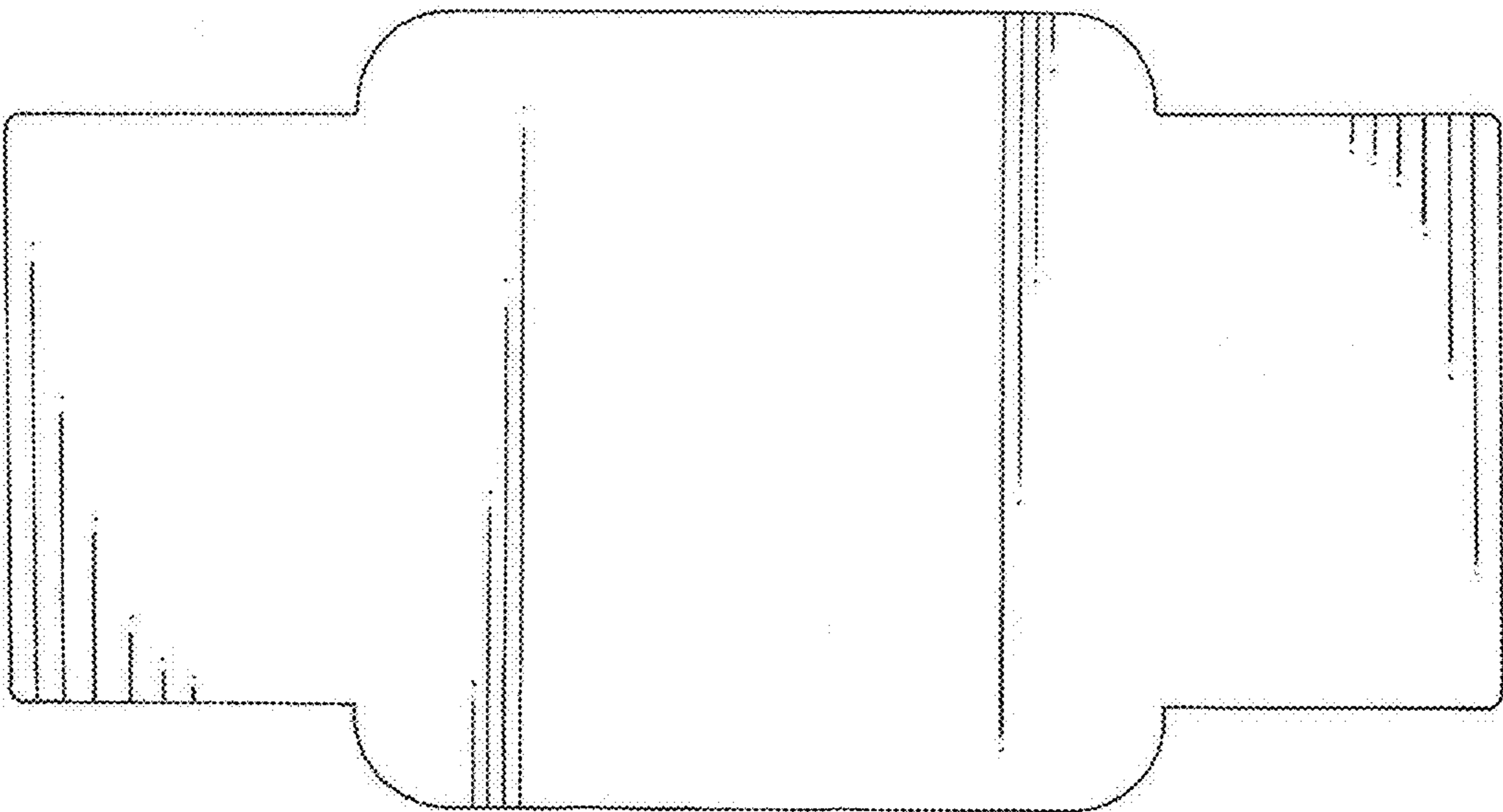


FIG 7

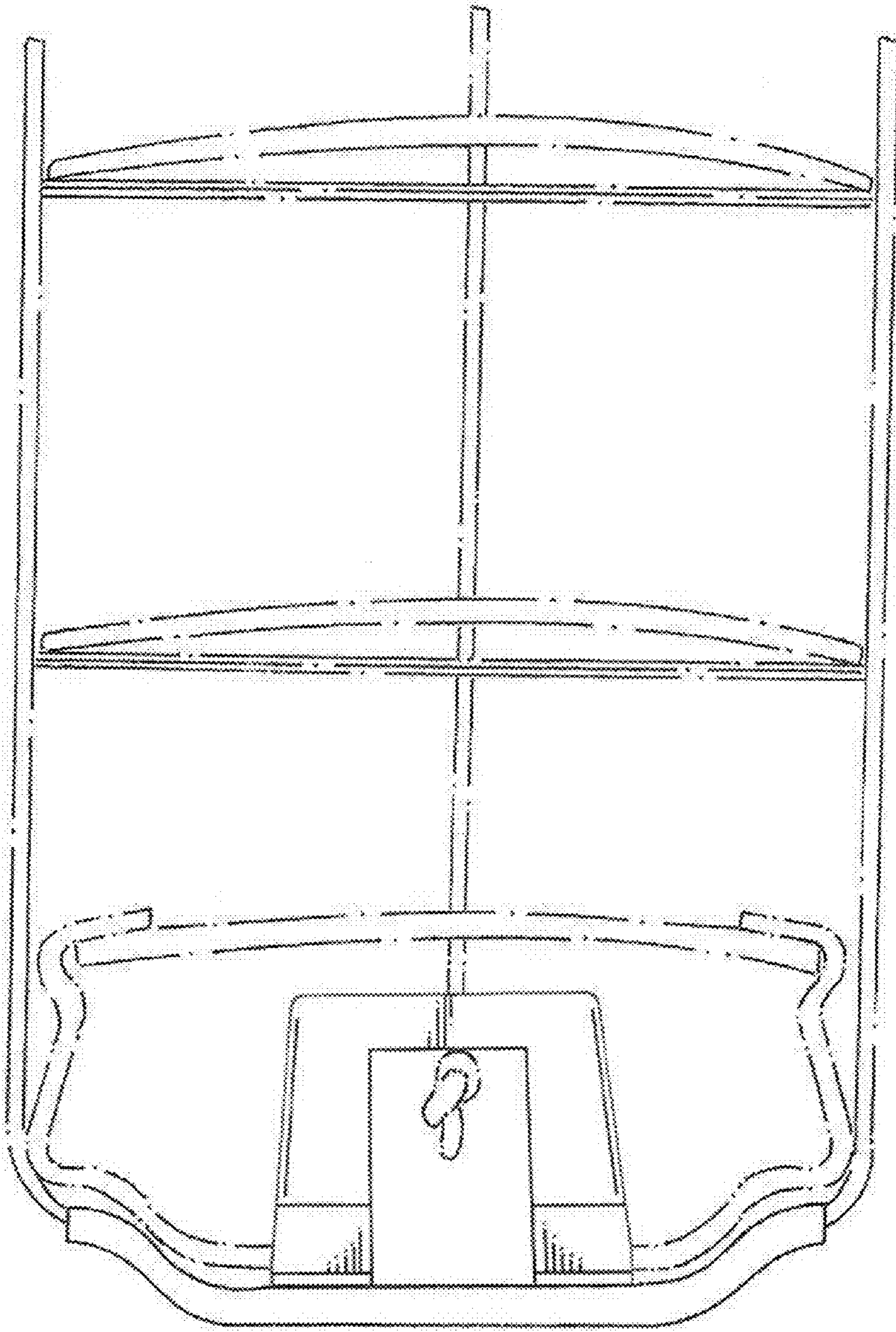


FIG 8