



US00D618939S

(12) **United States Design Patent**  
**Gibbs**

(10) **Patent No.:** **US D618,939 S**

(45) **Date of Patent:** **\*\* Jul. 6, 2010**

(54) **CONVERTIBLE FOLDOUT WALL MOUNT  
DESK**

D604,080 S \* 11/2009 Stolp ..... D6/555

\* cited by examiner

(75) Inventor: **Daryle C. Gibbs**, Dallas, TX (US)

*Primary Examiner*—Brian N Vinson

(73) Assignee: **Southern Enterprises, Inc.**, Coppell,  
TX (US)

(74) *Attorney, Agent, or Firm*—Marsteller & Associates, P.C.

(\*\*) Term: **14 Years**

(57) **CLAIM**

(21) Appl. No.: **29/345,966**

The ornamental design for a convertible foldout wall mount desk, as shown and described.

(22) Filed: **Oct. 23, 2009**

**DESCRIPTION**

(51) **LOC (9) Cl.** ..... **06-04**

FIG. 1 is a perspective view of a wall mount desk showing my new design in an unfolded configuration with the work surface in an horizontal position and a support leg in an vertical state extended from the work surface;

(52) **U.S. Cl.** ..... **D6/555**

FIG. 2 is a front view thereof;

(58) **Field of Classification Search** ..... D6/553,  
D6/555, 567, 569; 312/114, 126, 128–129,  
312/204, 231, 234, 242, 245; 211/13.1, 14,  
211/88.01, 134, 126.1

FIG. 3 is a rear view thereof;

FIG. 4 is a right side view thereof;

See application file for complete search history.

FIG. 5 is a left side view thereof;

FIG. 6 is a top view thereof;

FIG. 7 is a bottom view thereof;

(56) **References Cited**

**U.S. PATENT DOCUMENTS**

D344,869 S \* 3/1994 Paradis et al. .... D6/555

FIG. 8 is a perspective view thereof with the work surface and the support leg in a closed or folded state; and,

D489,208 S \* 5/2004 Noblet et al. .... D6/555

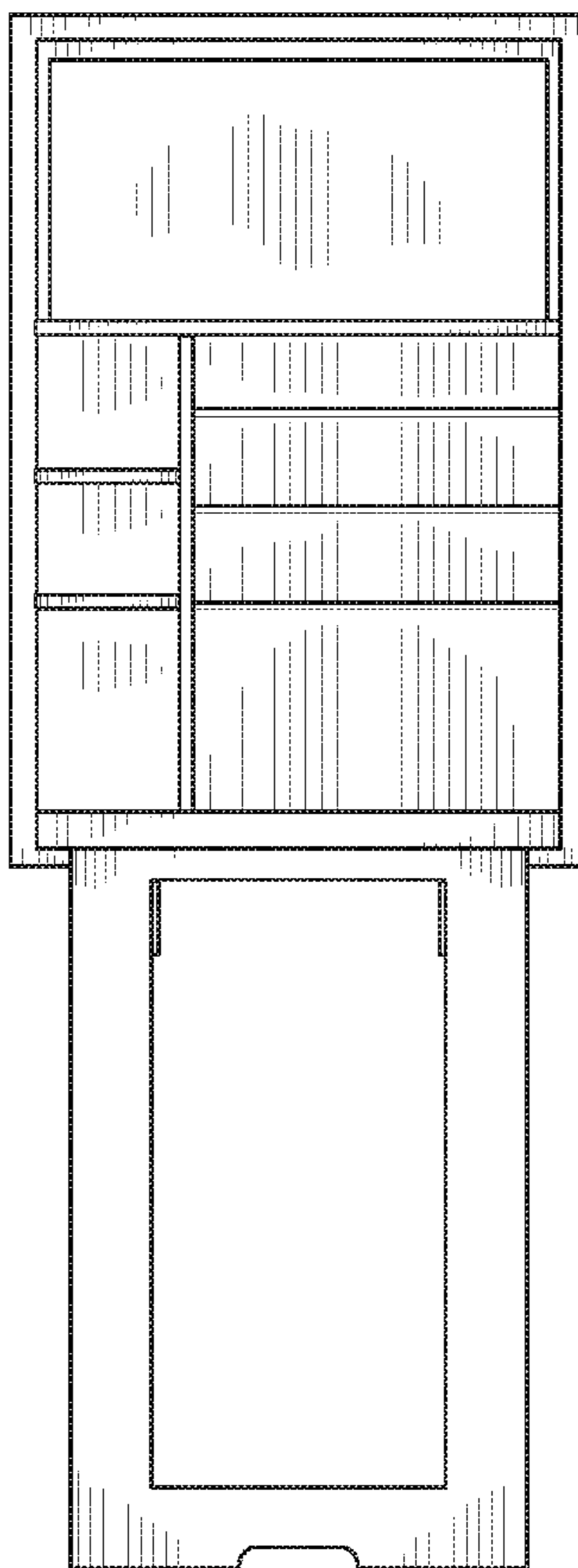
FIG. 9 is a closed front view thereof.

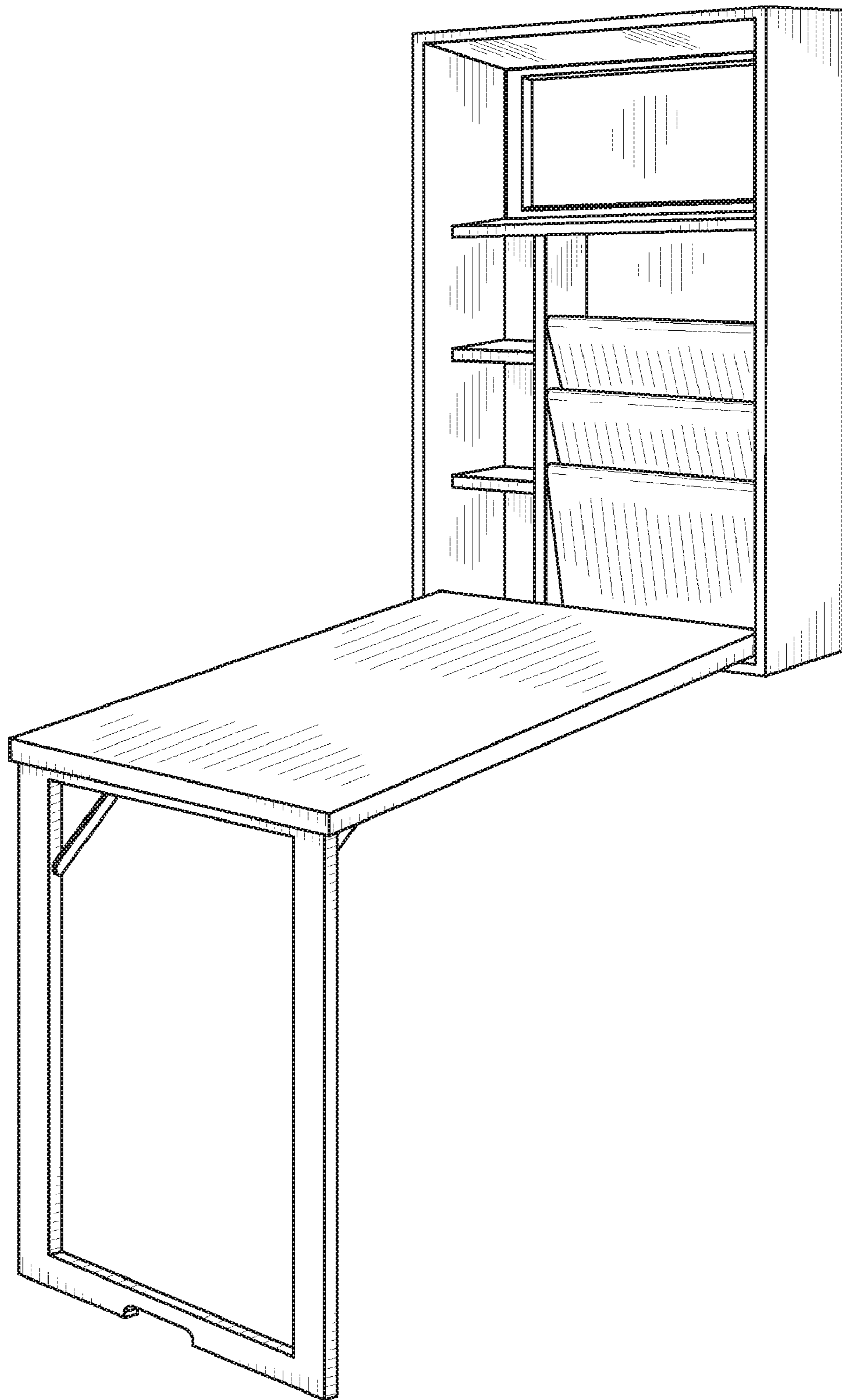
D544,275 S \* 6/2007 Tanus ..... D6/555

D549,025 S \* 8/2007 Van Alstyne ..... D6/555

D592,435 S \* 5/2009 Jasman ..... D6/555

**1 Claim, 6 Drawing Sheets**





*FIG. 1*

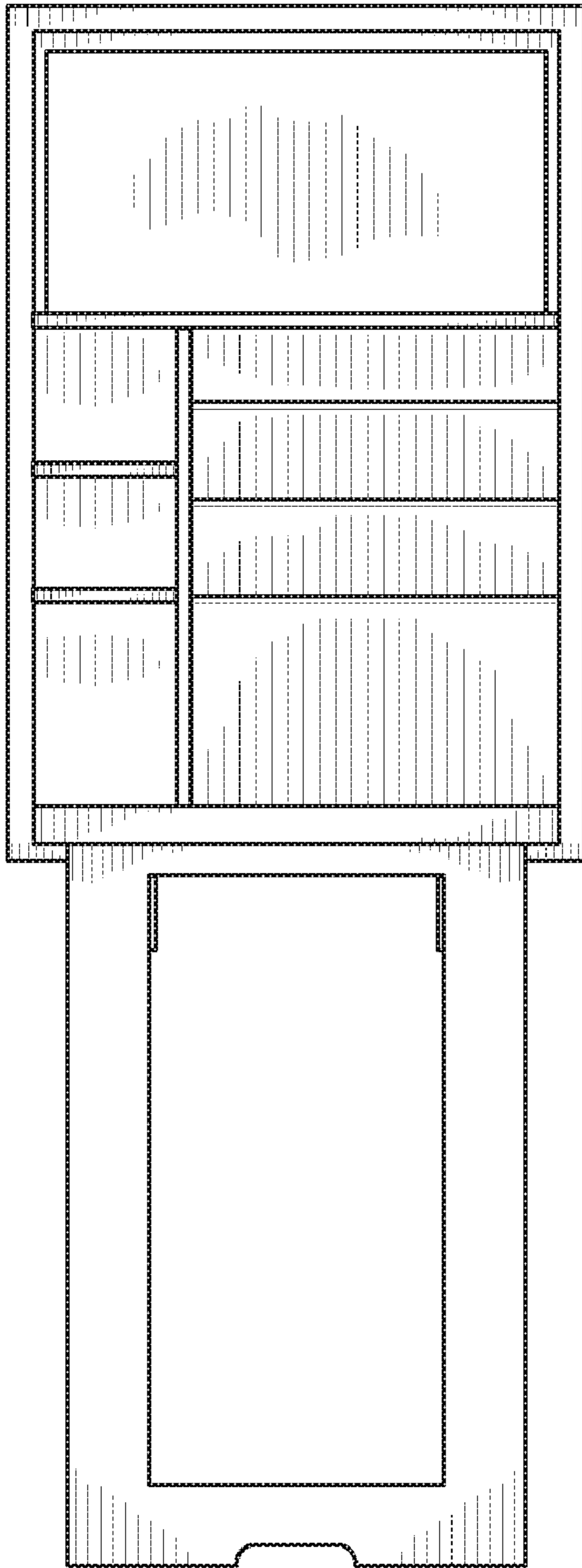


FIG. 2

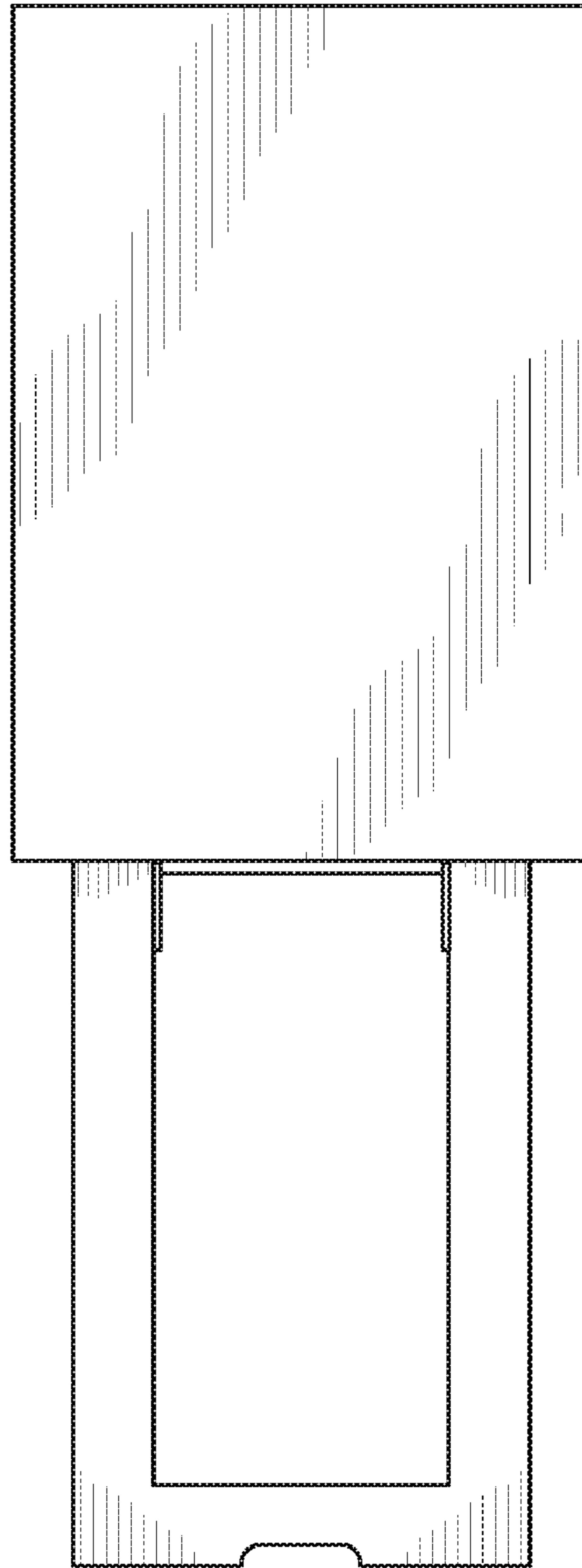
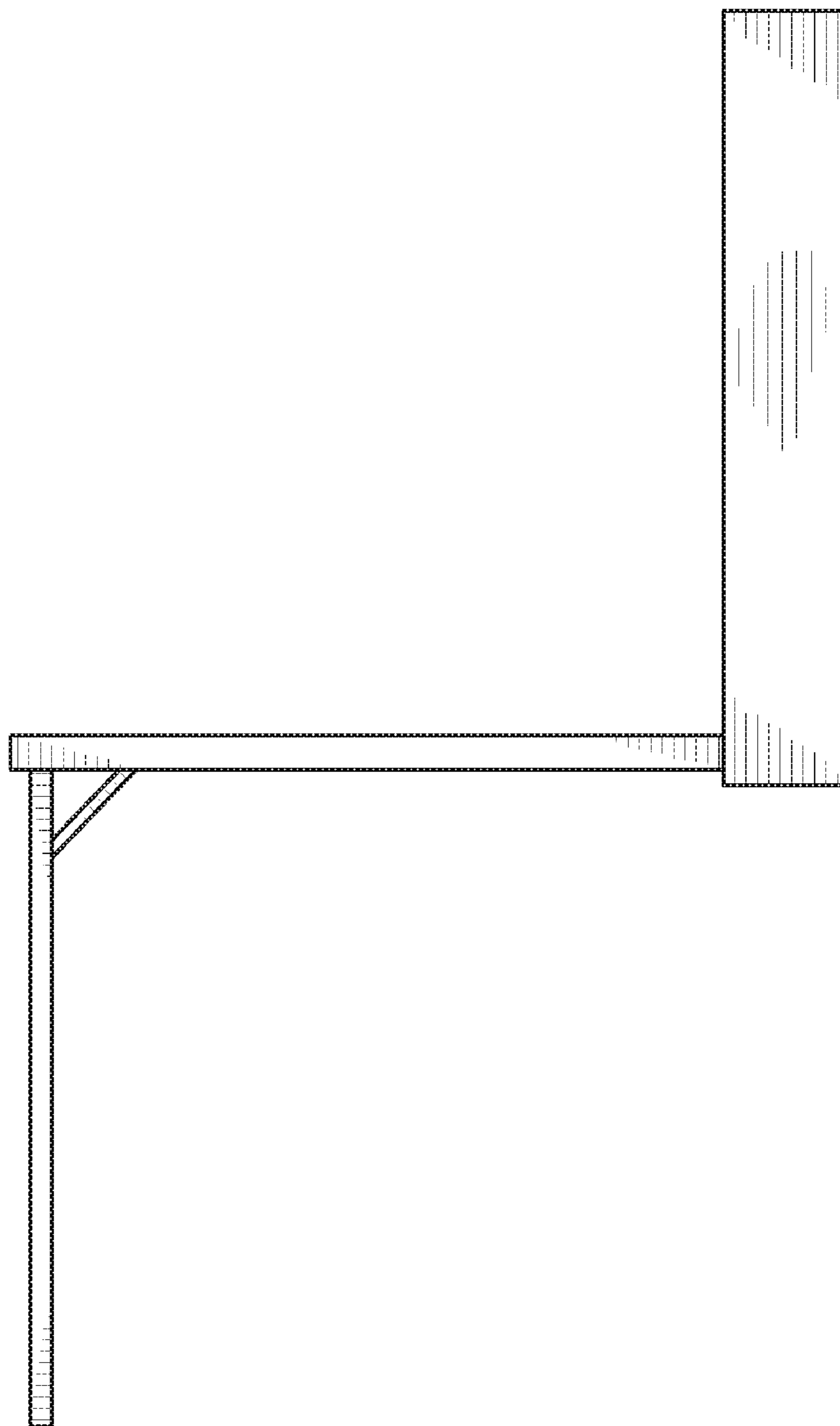
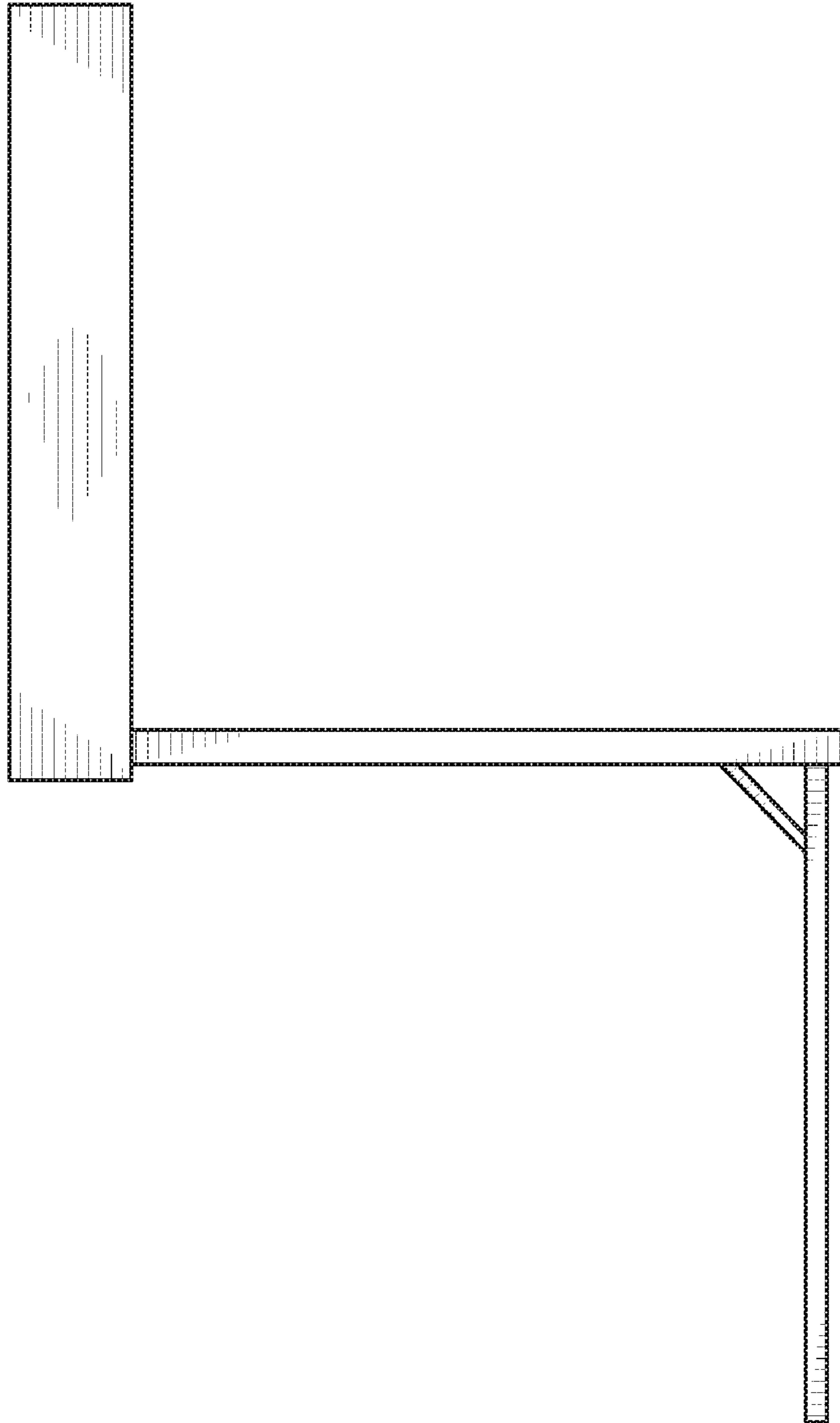


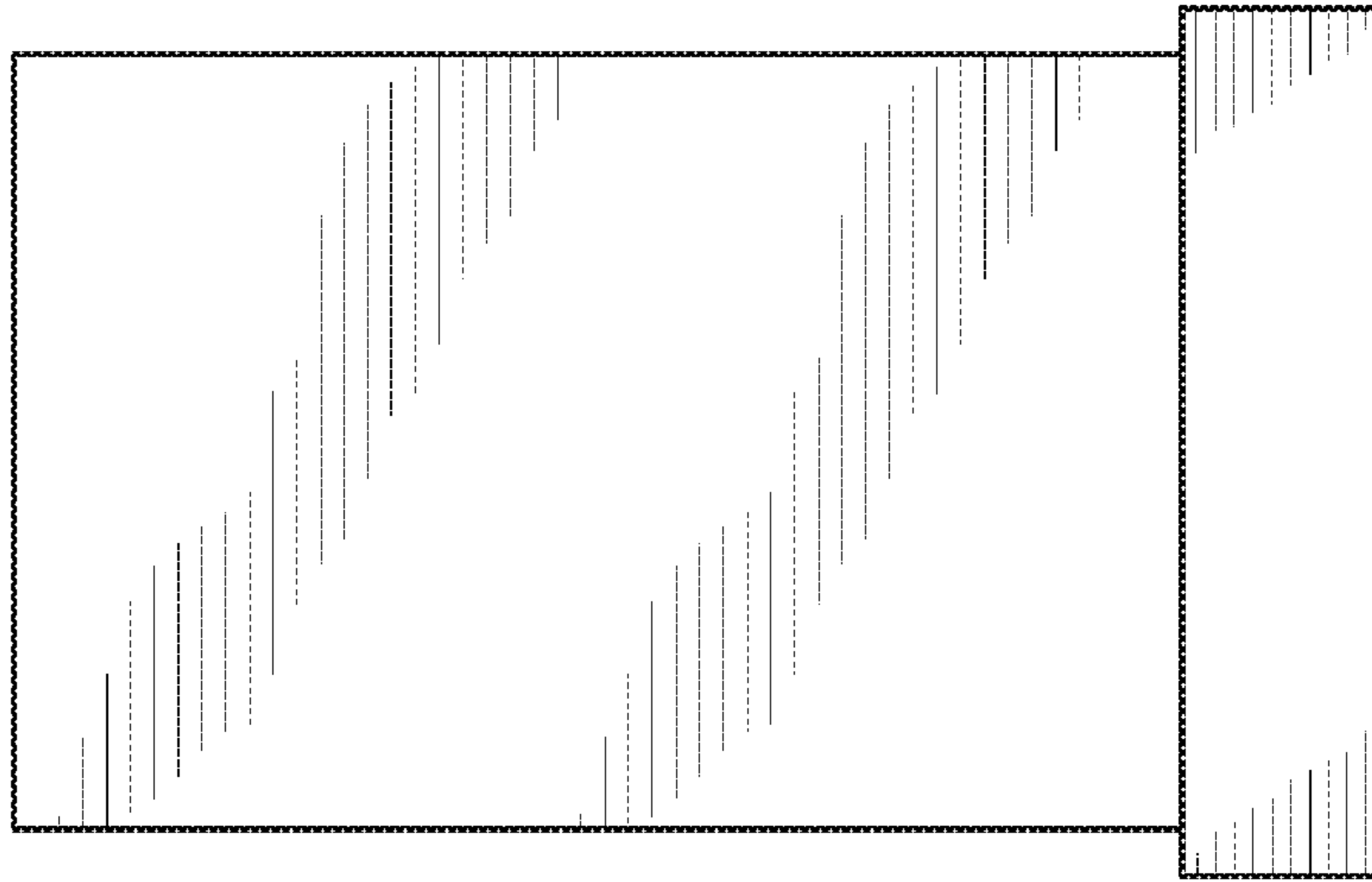
FIG. 3



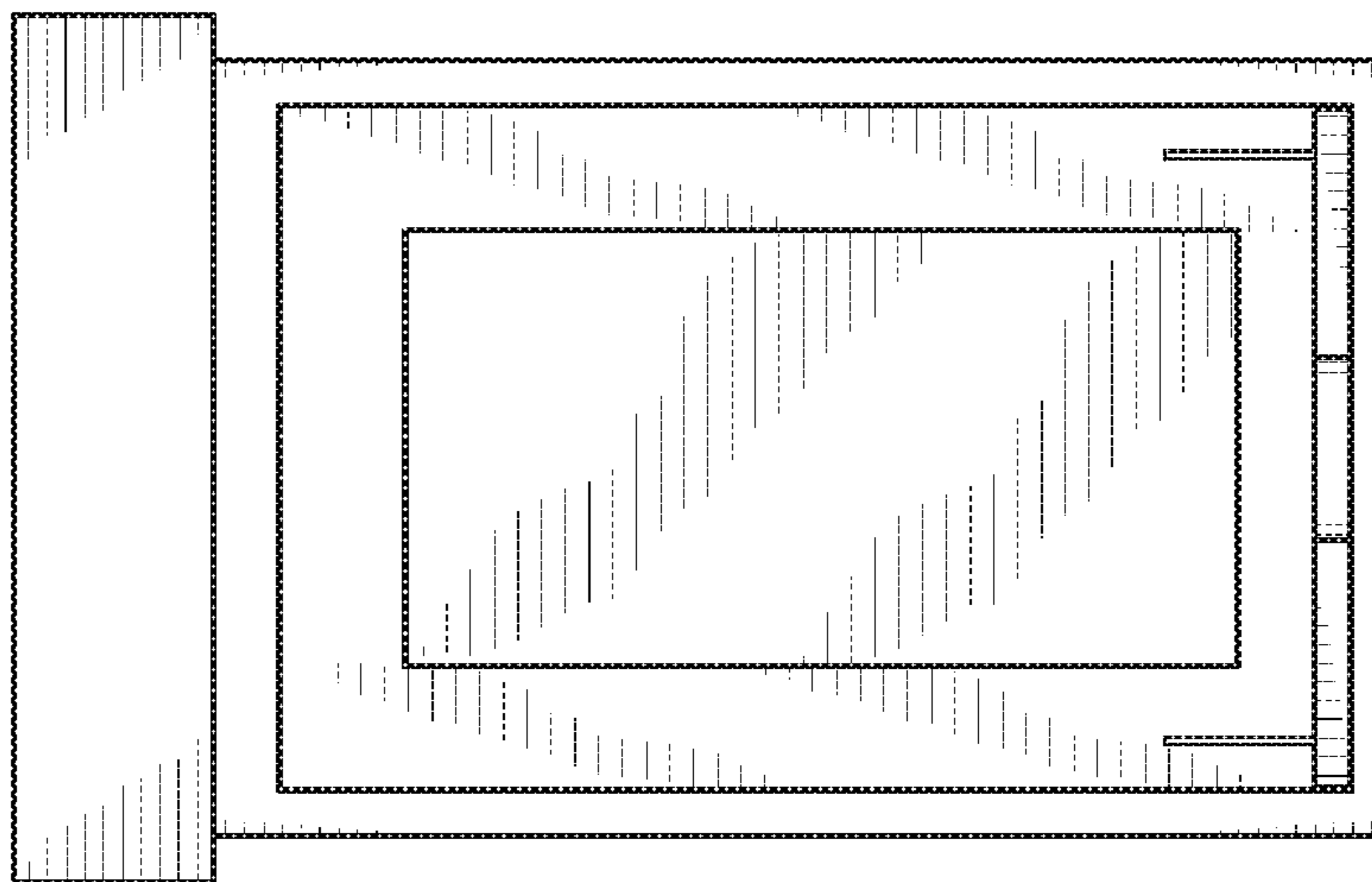
*FIG. 4*



*FIG. 5*

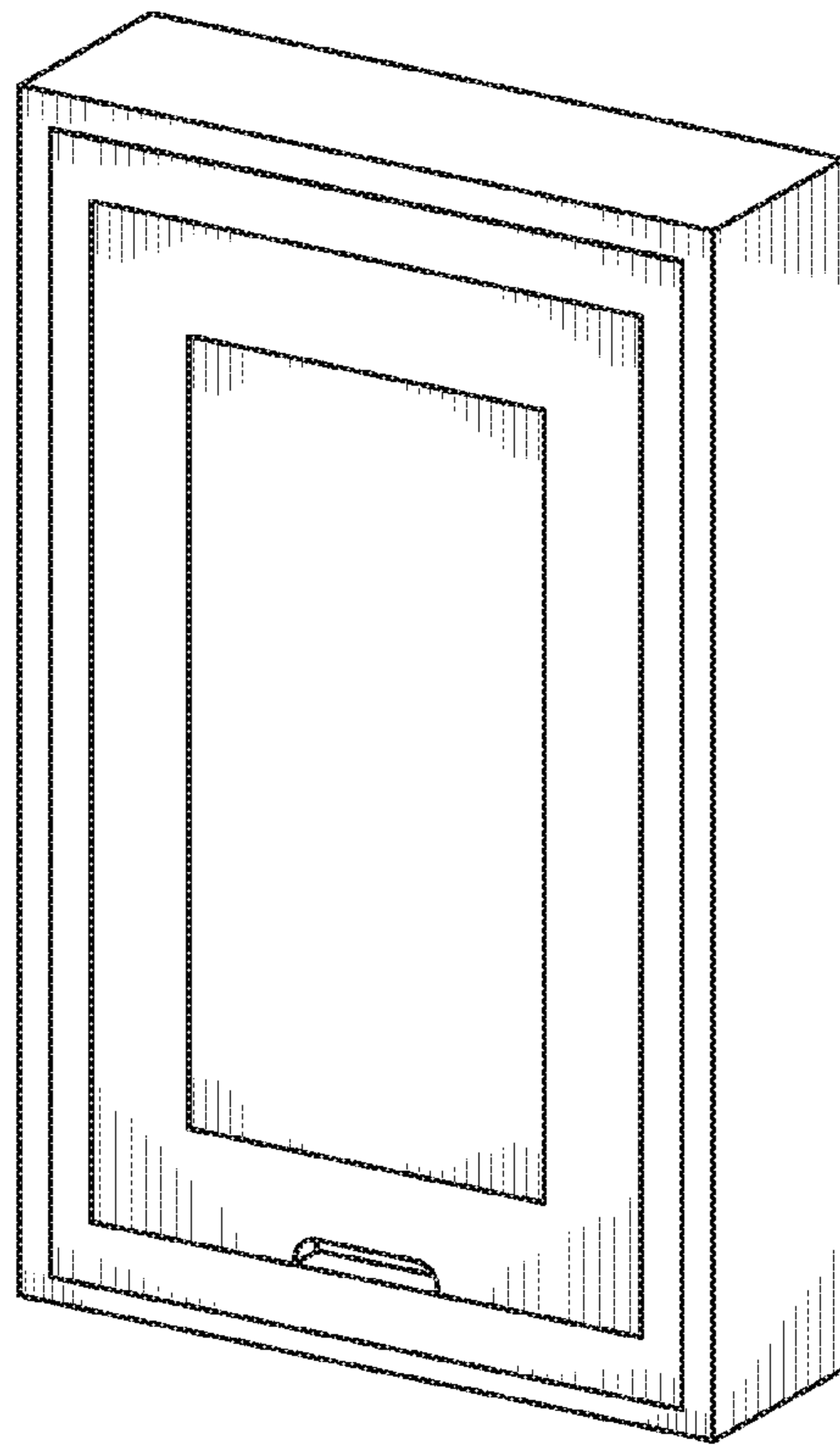


*FIG. 6*

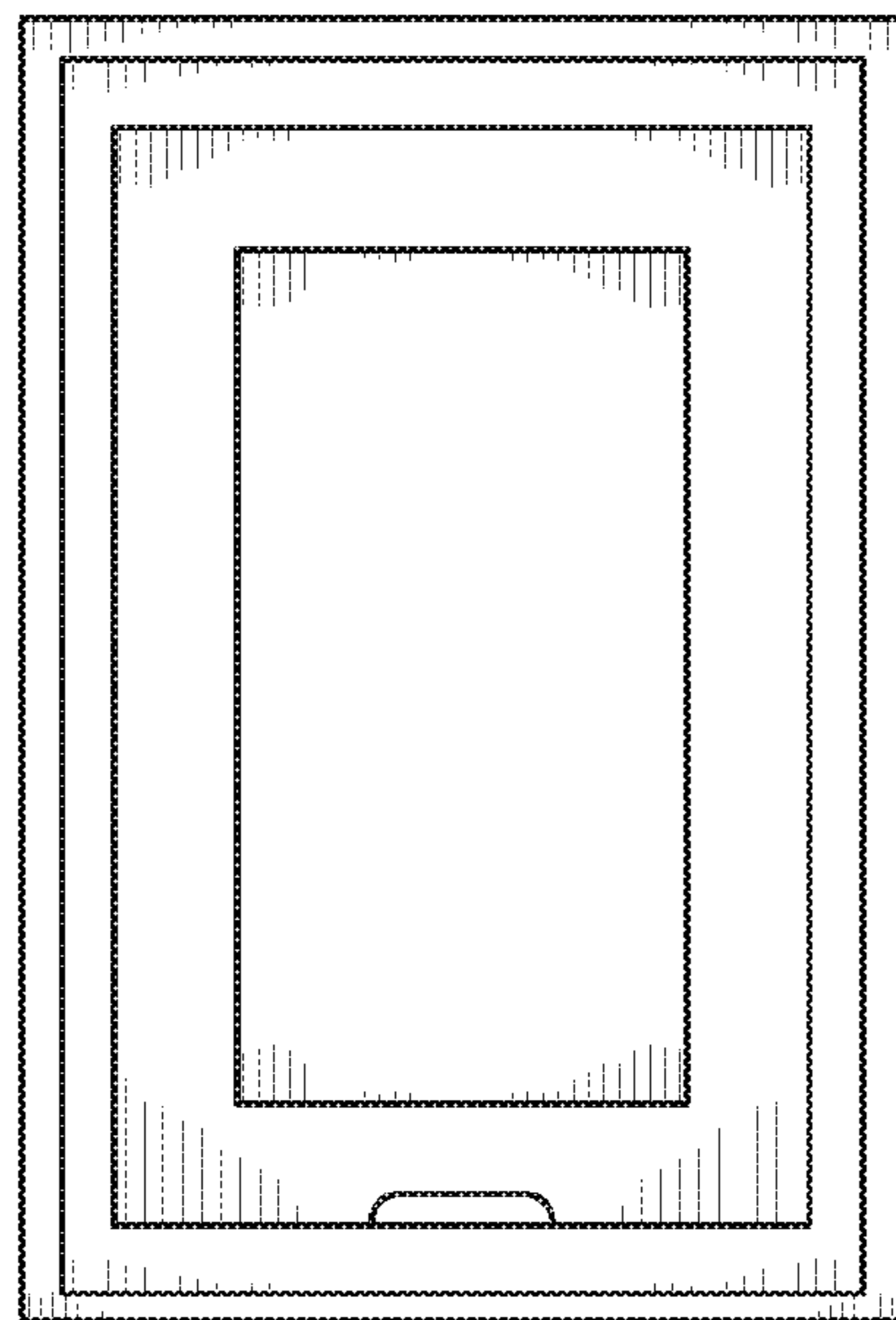


*FIG. 7*





*FIG. 8*



*FIG. 9*