



US00D618938S

(12) **United States Design Patent**
Nielsen

(10) **Patent No.:** **US D618,938 S**
(45) **Date of Patent:** **** Jul. 6, 2010**

(54) **STORAGE APPARATUS FOR MULTIMEDIA ITEMS**

(75) Inventor: **Britta Claire Nielsen**, Seattle, WA (US)

(73) Assignee: **Slam Brands, Inc.**, Redmond, WA (US)

(**) Term: **14 Years**

(21) Appl. No.: **29/357,879**

(22) Filed: **Mar. 18, 2010**

(51) **LOC (9) Cl.** **06-04**

(52) **U.S. Cl.** **D6/553**

(58) **Field of Classification Search** D6/510,
D6/512, 513, 515, 540, 542, 545, 548, 552,
D6/553; 248/310, 312, 314; 211/13.1, 60.1,
211/64, 70.2, 70.6, 70.8, 86.01, 89.01
See application file for complete search history.

(56) **References Cited**

U.S. PATENT DOCUMENTS

3,288,304	A *	11/1966	Graves	211/64
6,719,153	B2 *	4/2004	Heneveld	211/70.6
D493,056	S *	7/2004	Shornak	D6/552
D548,487	S *	8/2007	Osiecki et al.	D6/467
D557,541	S *	12/2007	Corbell	D6/552
D579,252	S *	10/2008	Savoie	D6/552
D581,255	S *	11/2008	Calvin	D8/356
D588,830	S *	3/2009	Chochinov et al.	D6/406.3
D595,519	S *	7/2009	Ferguson	D6/476

D597,776	S *	8/2009	Taggart et al.	D6/552
D612,765	S *	3/2010	Fildan et al.	D11/218
2005/0133473	A1 *	6/2005	Lesperance	211/64

* cited by examiner

Primary Examiner—Elizabeth A Albert
Assistant Examiner—Kelley A Donnelly
(74) *Attorney, Agent, or Firm*—Turocy & Watson, LLP;
Thomas E. Watson

(57) **CLAIM**

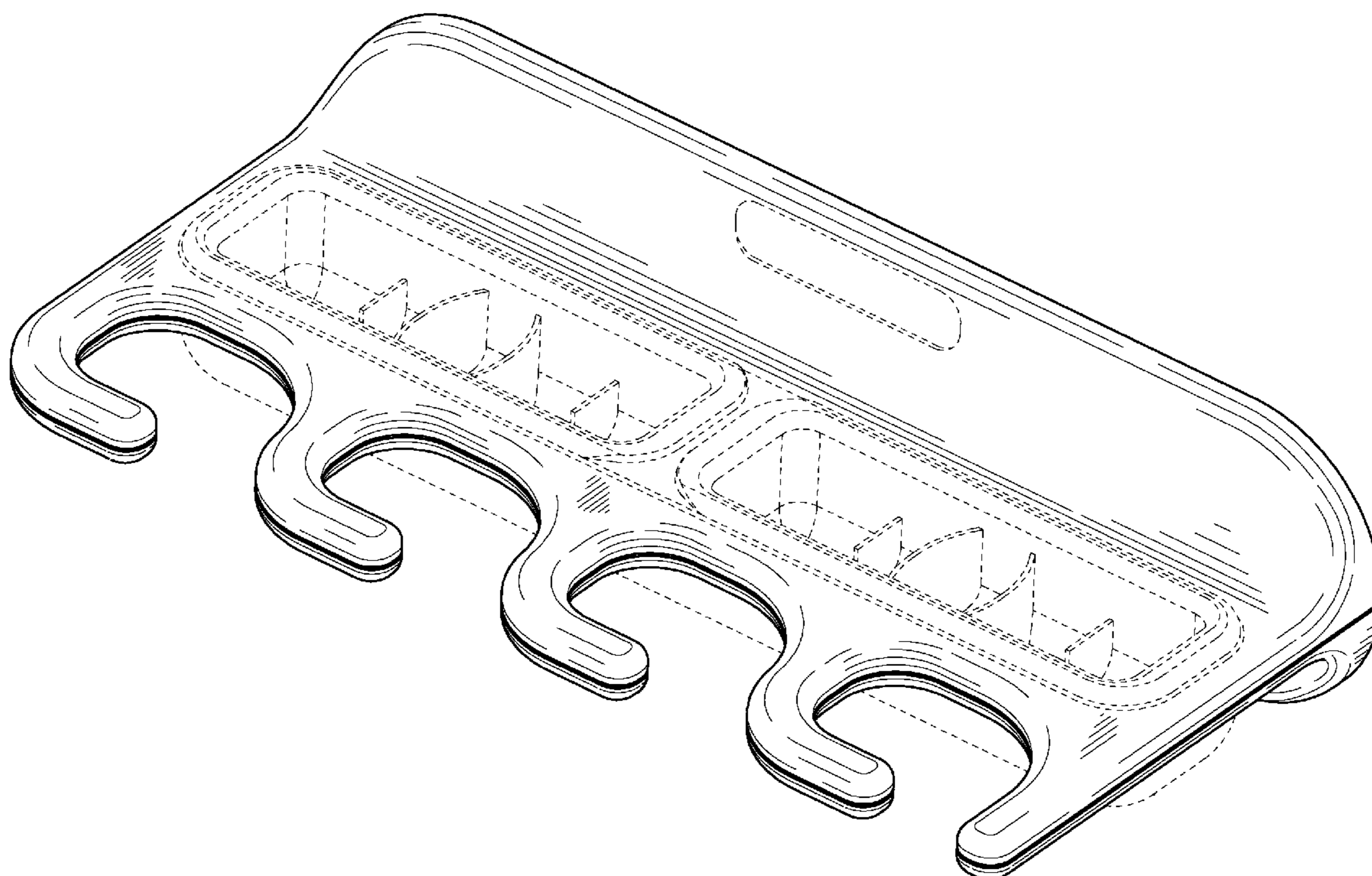
An ornamental design for the storage apparatus for multimedia items, as shown and described.

DESCRIPTION

FIG. 1 is a first perspective view of a design for the storage apparatus for multimedia items;
FIG. 2 is a second perspective view of the design therefor;
FIG. 3 is a first side end view of the design therefor;
FIG. 4 is a second side end view of the design therefor;
FIG. 5 is a front view of the design therefor;
FIG. 6 is a rear view of the design therefor;
FIG. 7 is a top plan view of the design therefor; and,
FIG. 8 is a bottom plan view of the design therefor.

The dashed lines in the drawings are shown for environmental purposes and form no part of the claimed design.

1 Claim, 6 Drawing Sheets



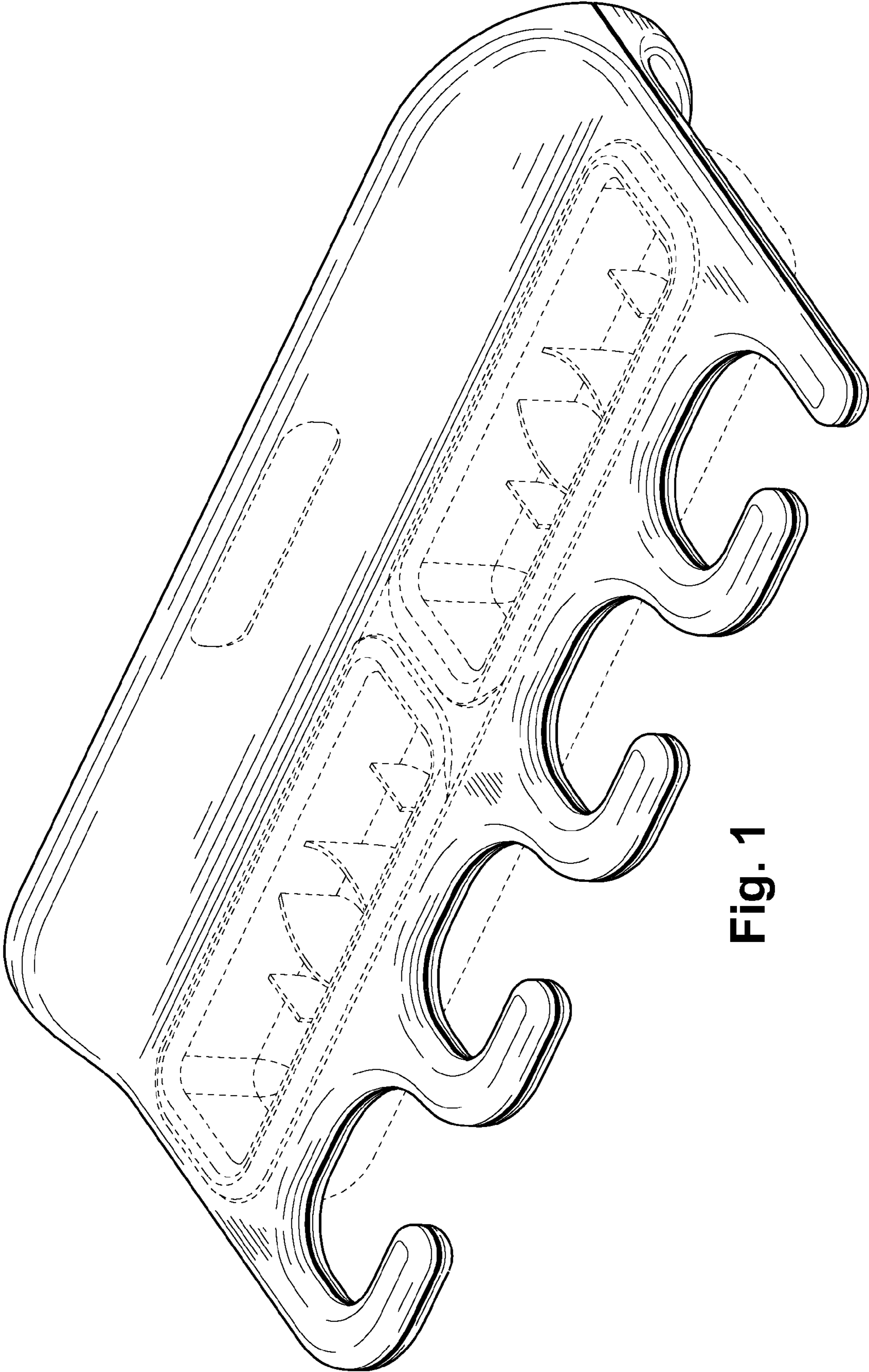


Fig. 1

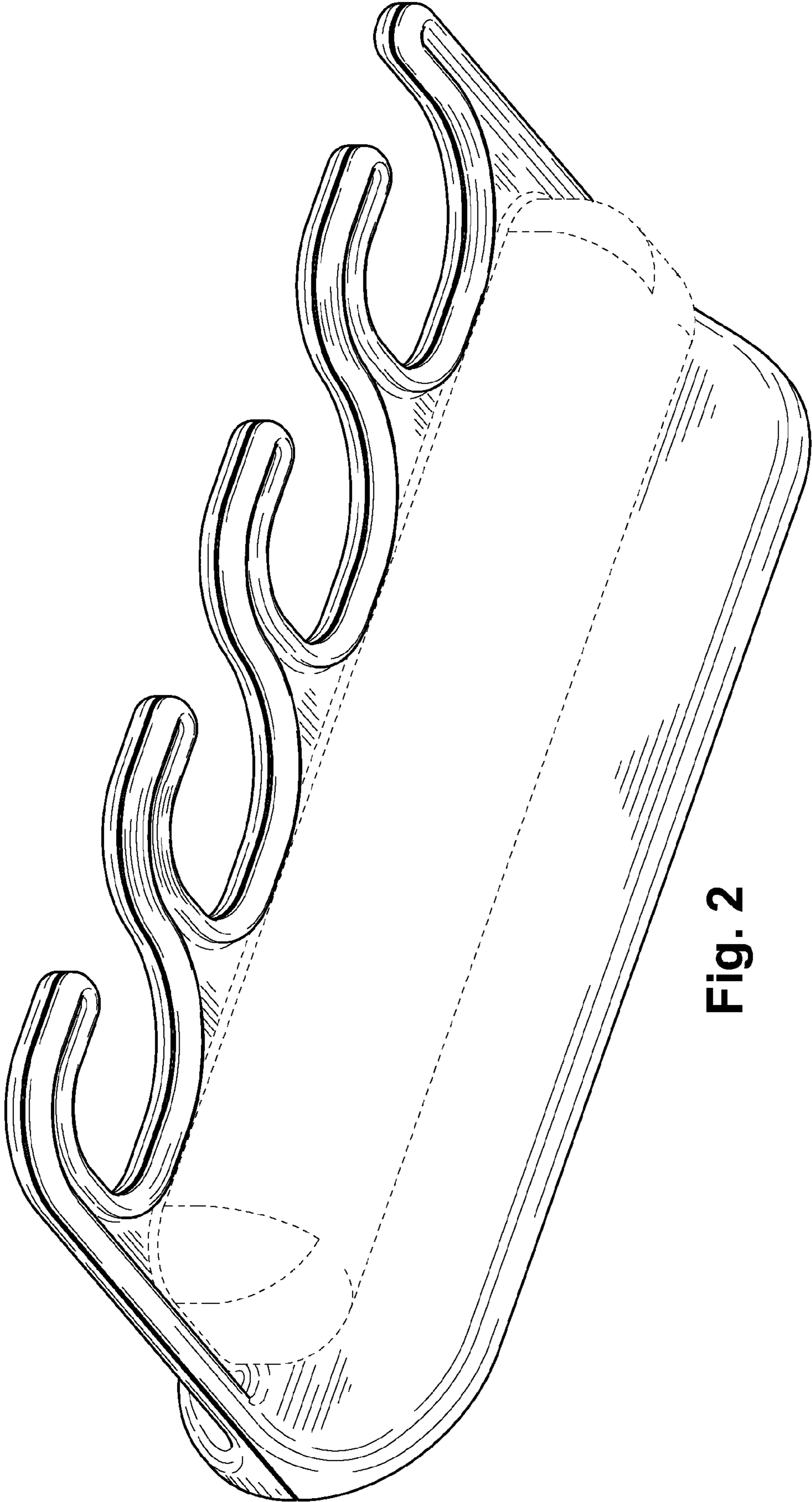


Fig. 2

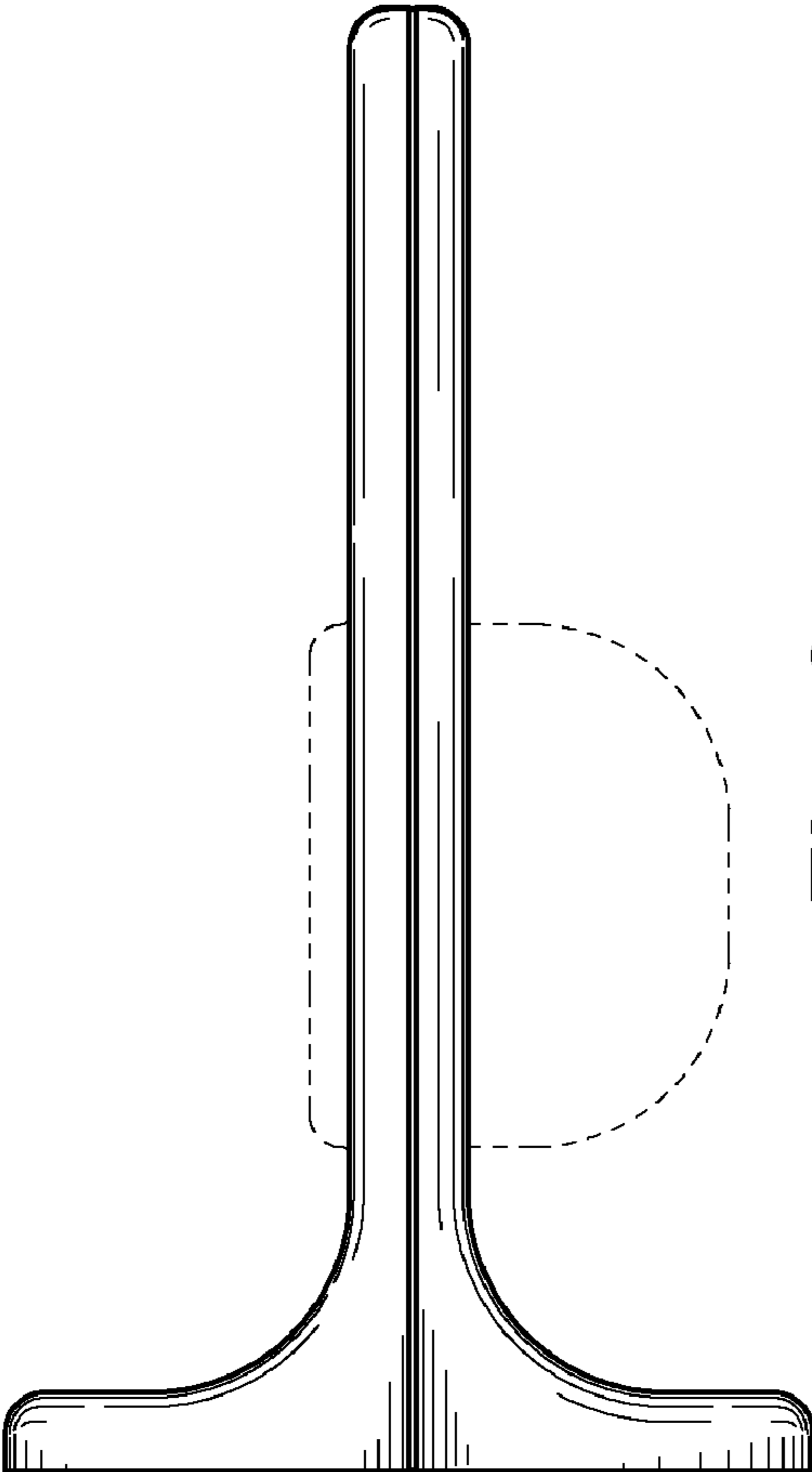


Fig. 3

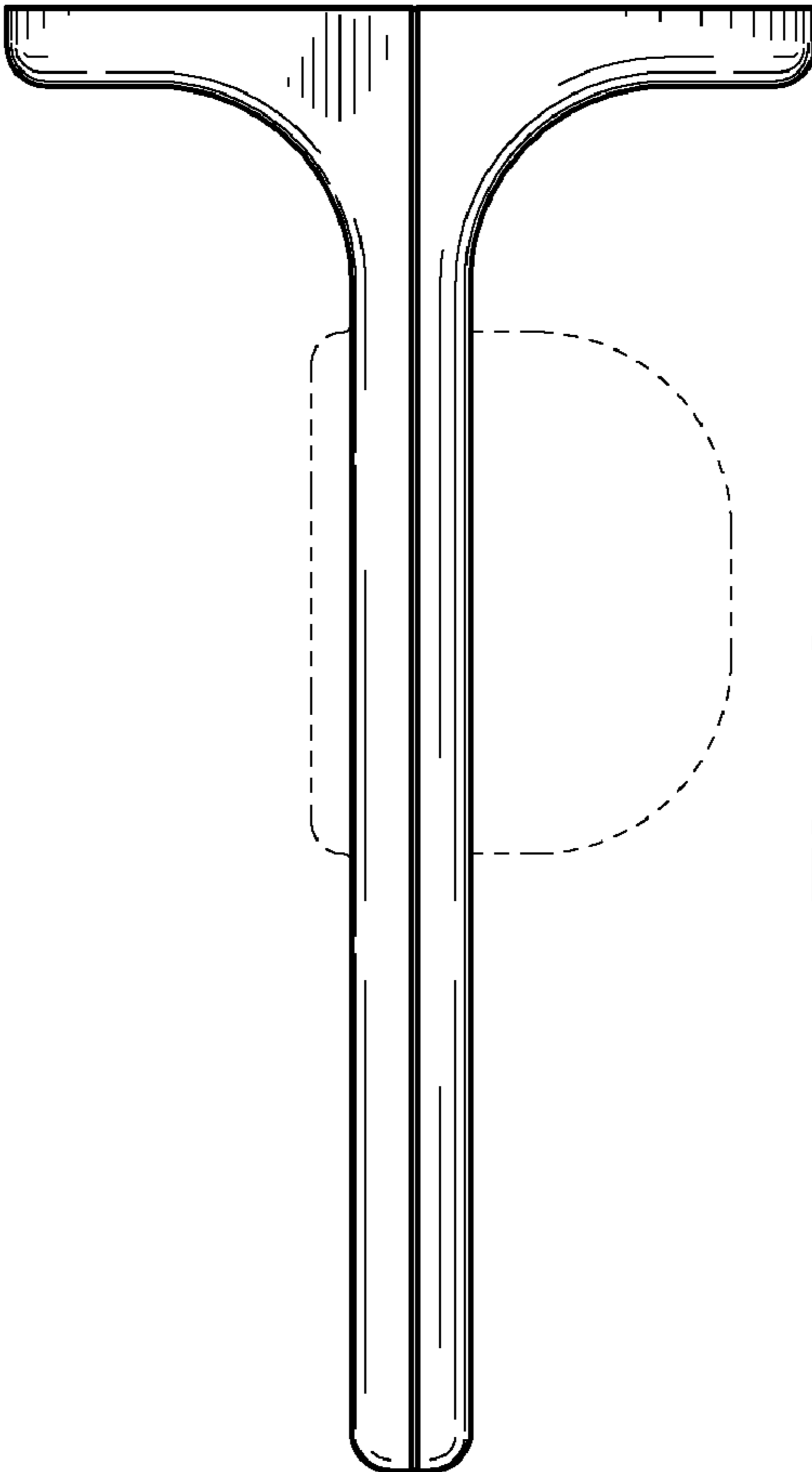


Fig. 4

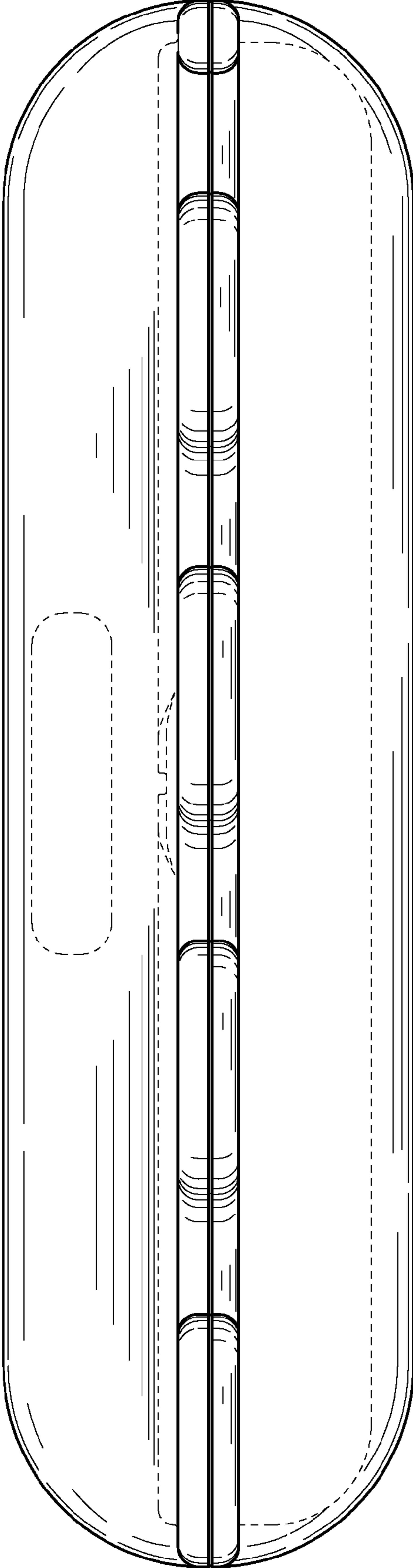


Fig. 5

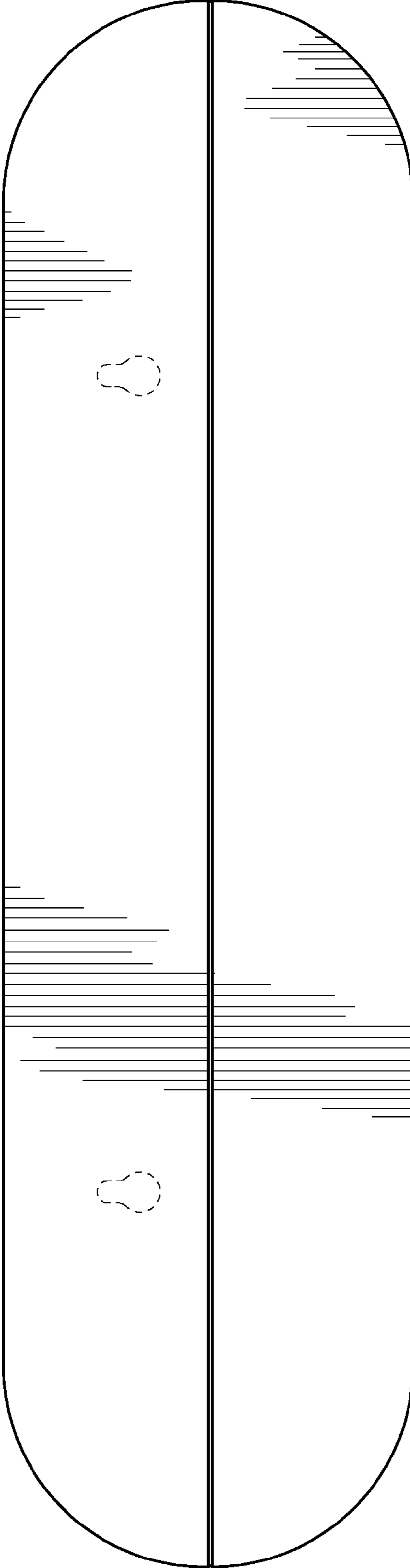


Fig. 6

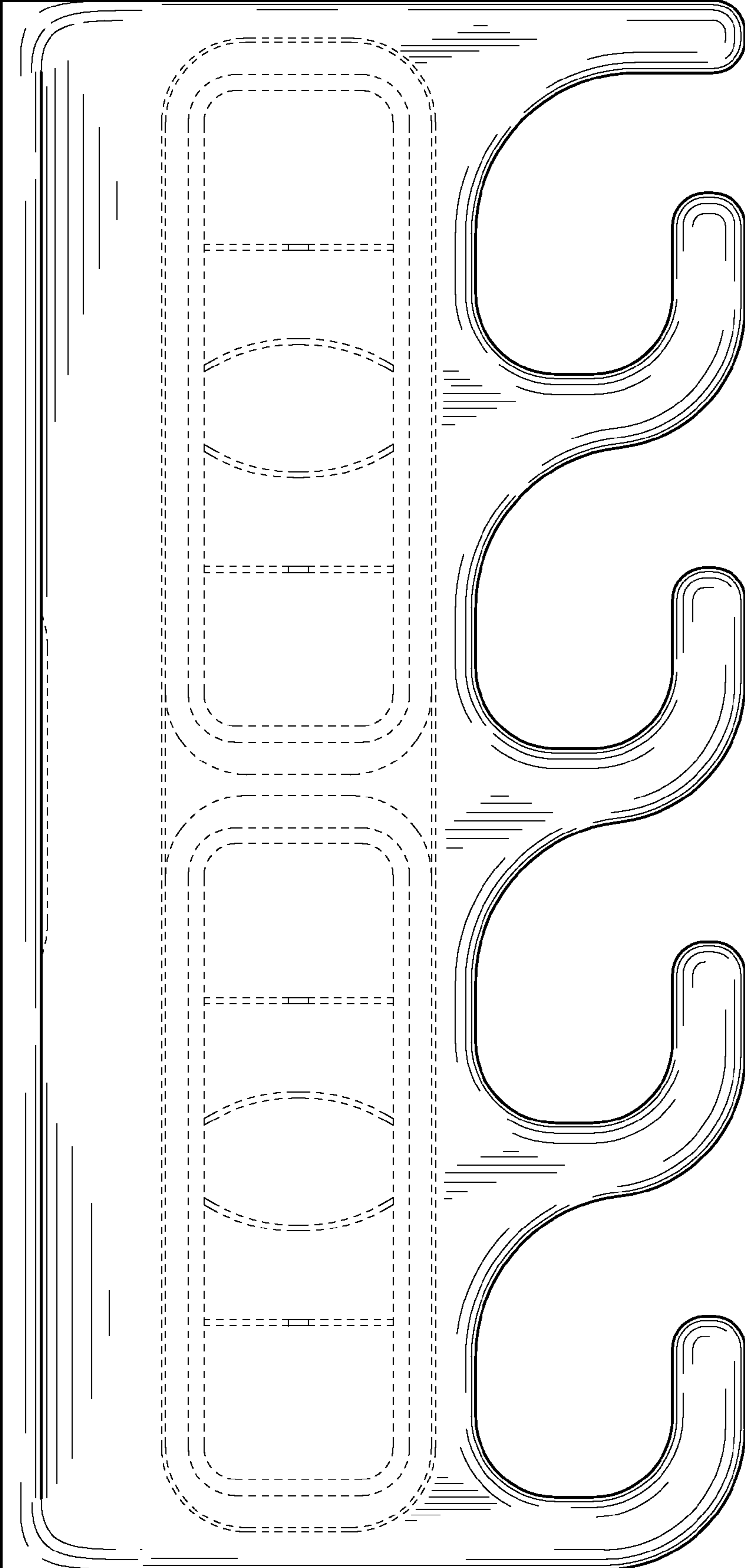


Fig. 7

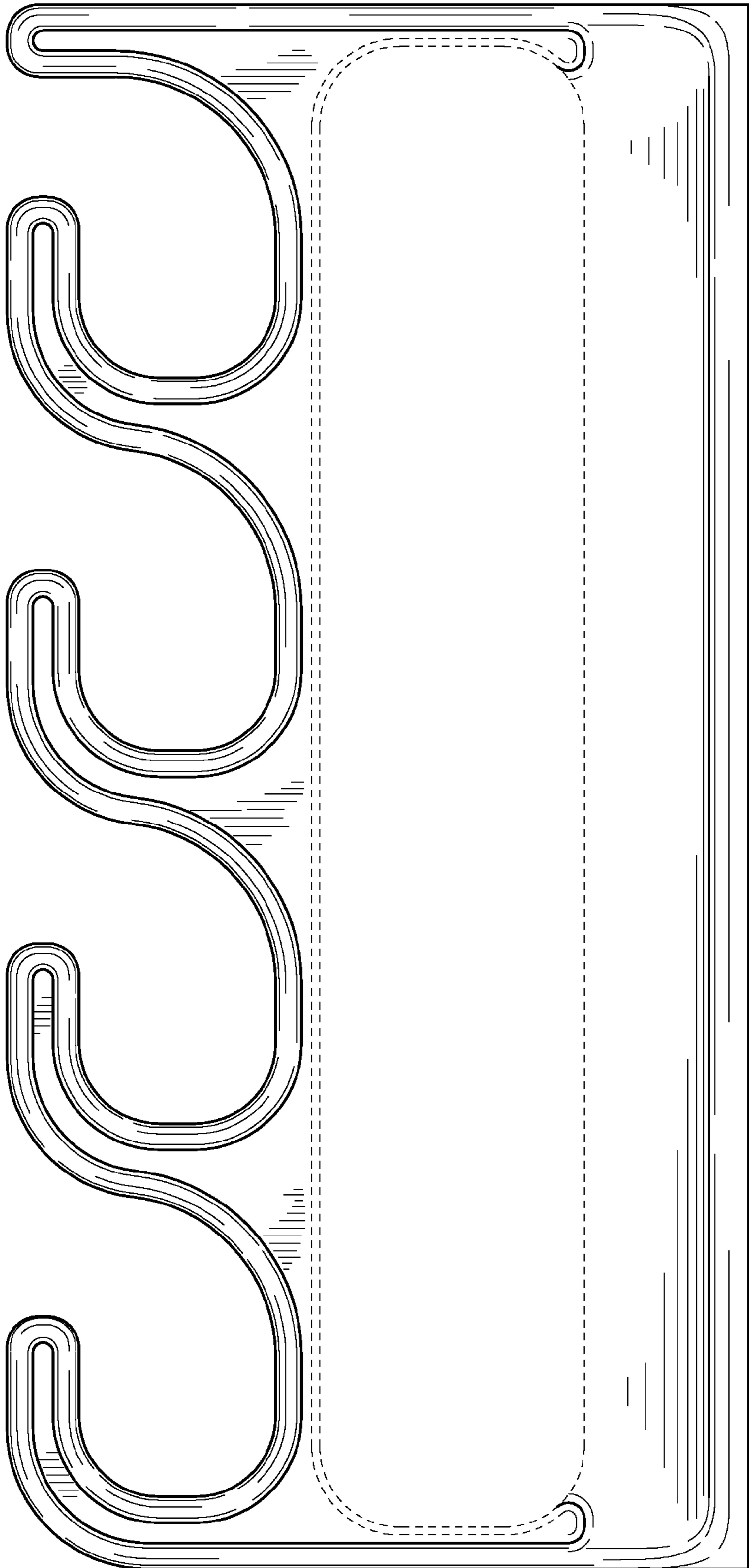


Fig. 8