



US00D618937S

(12) **United States Design Patent**
Hadley

(10) **Patent No.:** **US D618,937 S**
(45) **Date of Patent:** **** Jul. 6, 2010**

(54) **TOOTH BRUSH SANITIZER**

D543,750 S * 6/2007 Hines D6/534

(76) Inventor: **Kelly Hadley**, H.C. 76 Box 552,
Eagletown, OK (US) 74734

* cited by examiner

Primary Examiner—Brian N Vinson
(74) *Attorney, Agent, or Firm*—Paul R. Martin

(**) Term: **14 Years**

(21) Appl. No.: **29/315,069**

(57) **CLAIM**

(22) Filed: **Aug. 6, 2009**

The ornamental design for a tooth brush sanitizer, as shown and described.

(51) **LOC (9) Cl.** **23-02**

DESCRIPTION

(52) **U.S. Cl.** **D6/534**

FIG. 1 is a perspective view of the tooth brush sanitizer of this invention.

(58) **Field of Classification Search** D6/524,

D6/534, 526–528; 206/208, 209, 209.1,
206/228, 361, 362, 362.1, 362.2, 362.3; 211/13.1,
211/65, 66, 70.6

FIG. 2 is an elevational view of the front of the sanitizer shown in FIG. 1.

See application file for complete search history.

FIG. 3 is a plan view of the sanitizer shown in FIG. 1.

(56) **References Cited**

U.S. PATENT DOCUMENTS

- D502,546 S * 3/2005 Shin D6/534
- D539,582 S * 4/2007 Starck et al. D6/534
- D543,749 S * 6/2007 Emmons D6/534

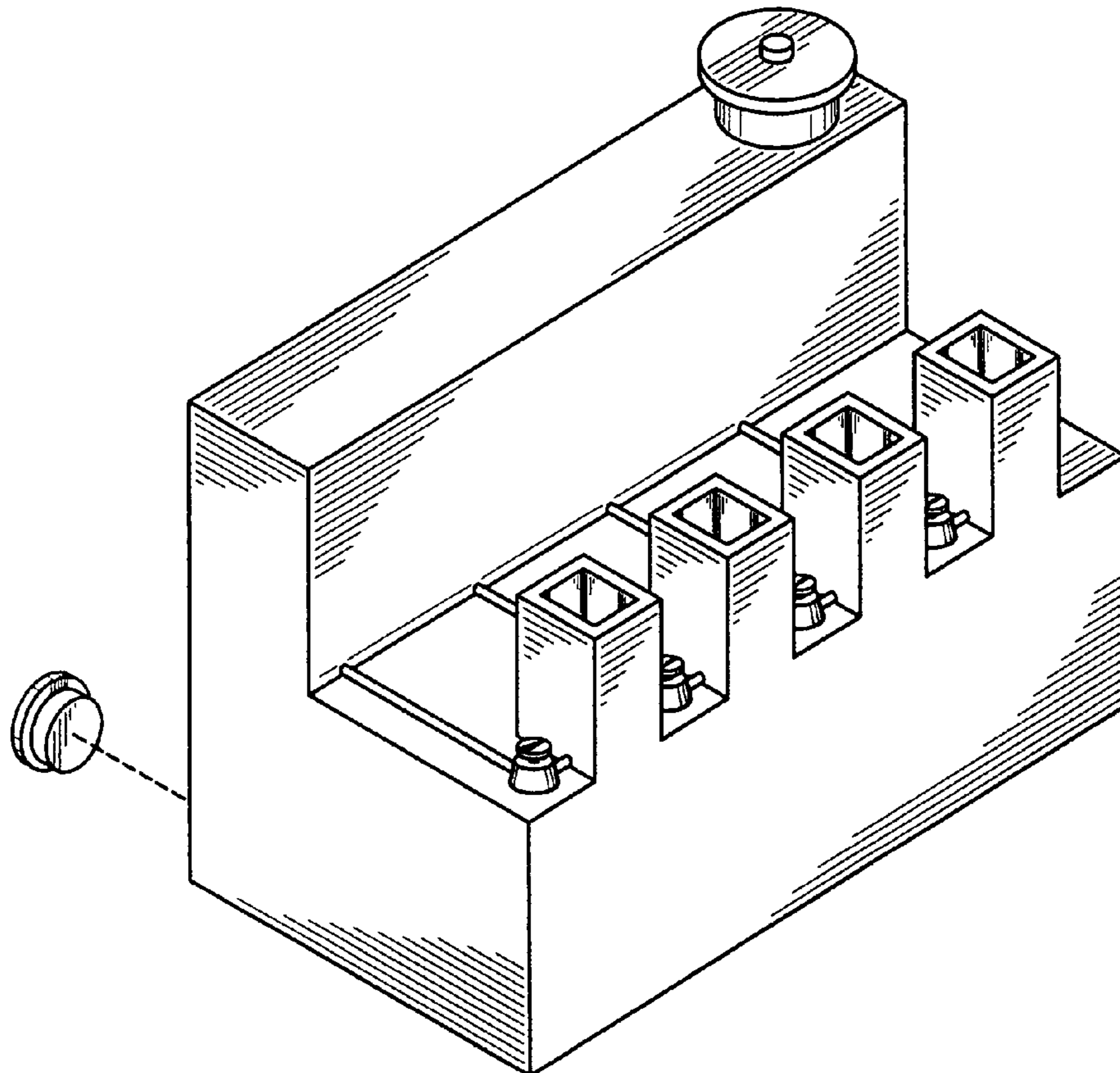
FIG. 4 is an elevational view of the back side of the sanitizer shown in FIG. 1.

FIG. 5 is a bottom view of the sanitizer shown in FIG. 1.

FIG. 6 is a left end view of the sanitizer shown in FIG. 1; and,

FIG. 7 is a right end view of the sanitizer shown in FIG. 1.

1 Claim, 4 Drawing Sheets



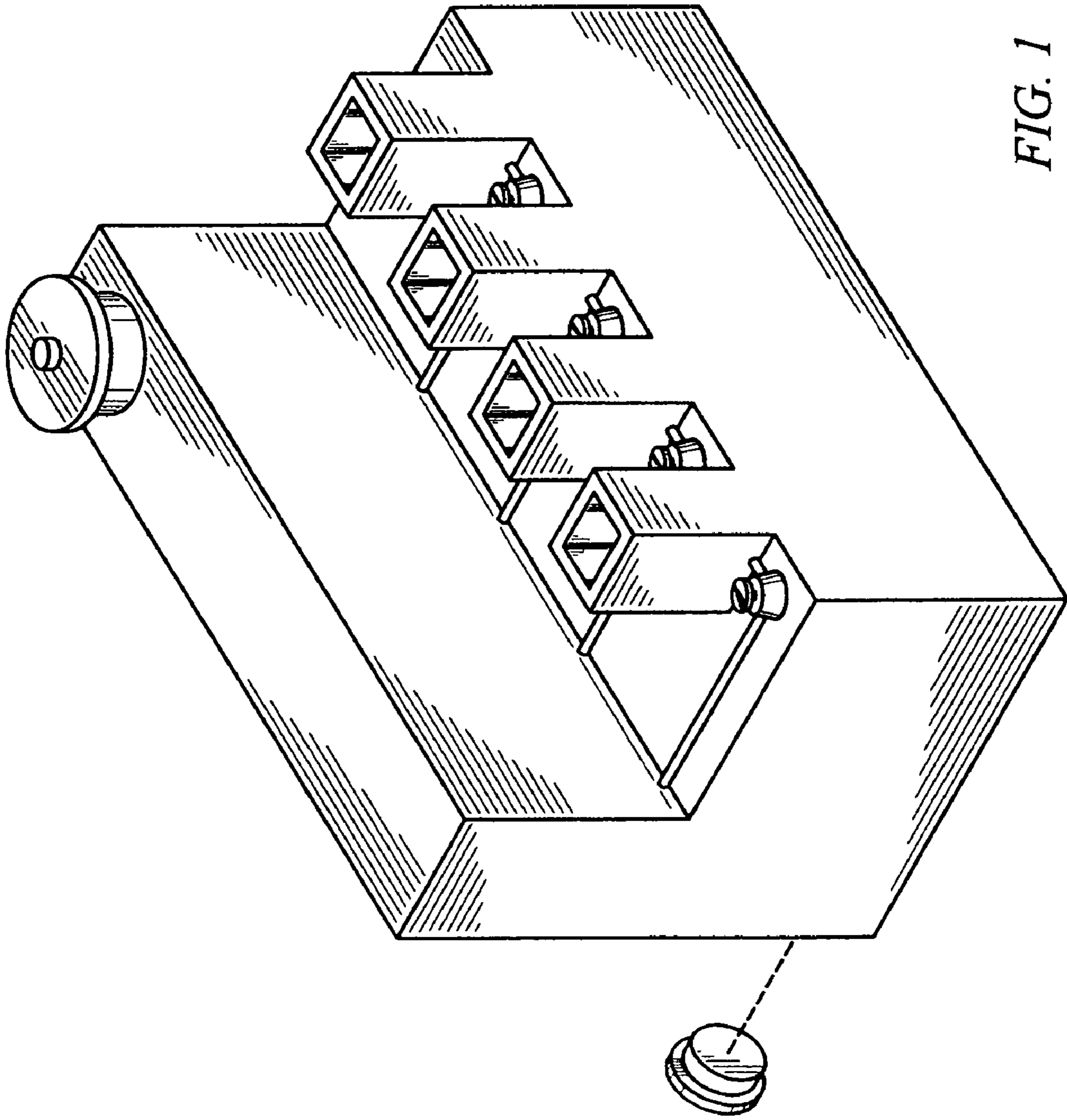


FIG. 1

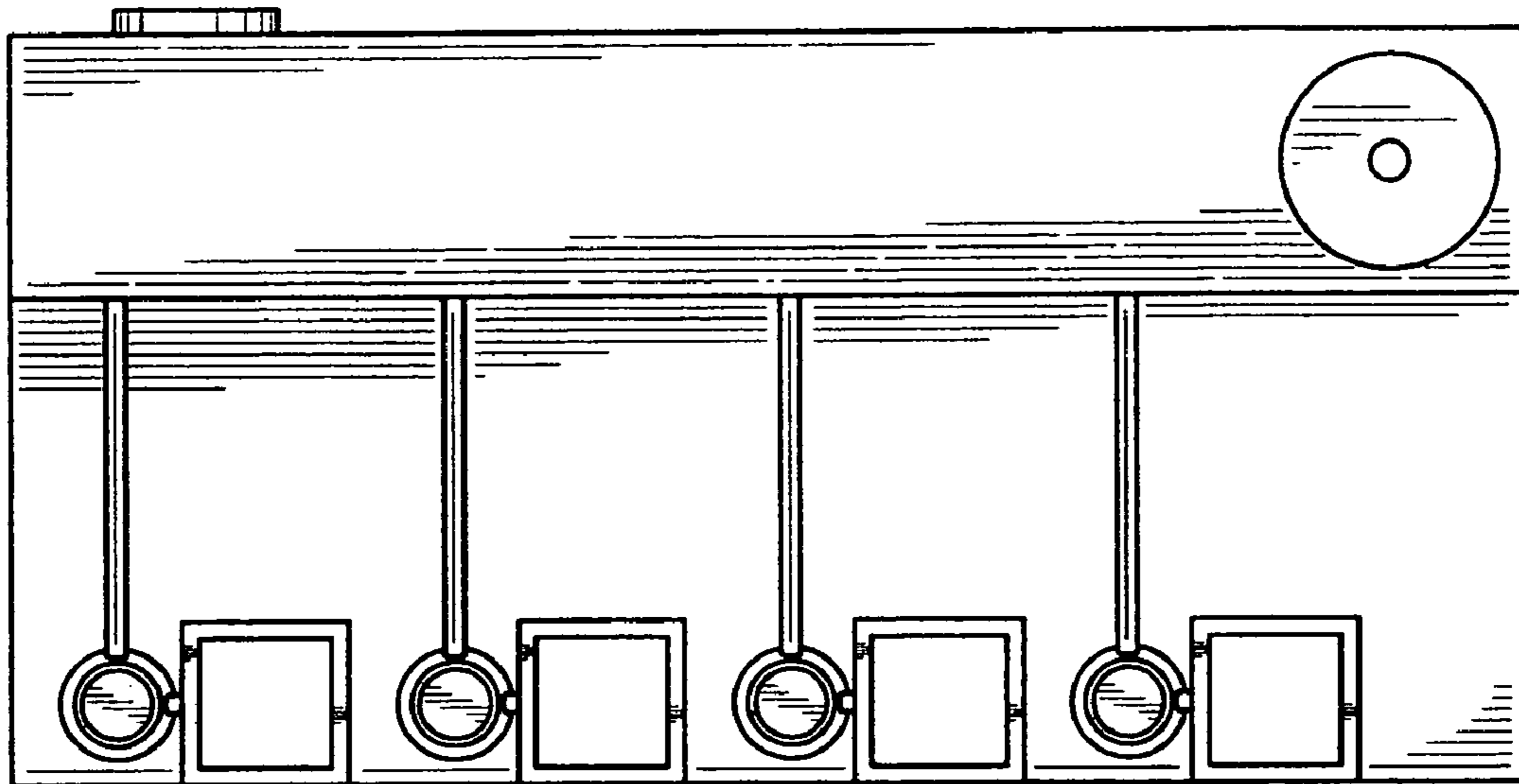


FIG. 3

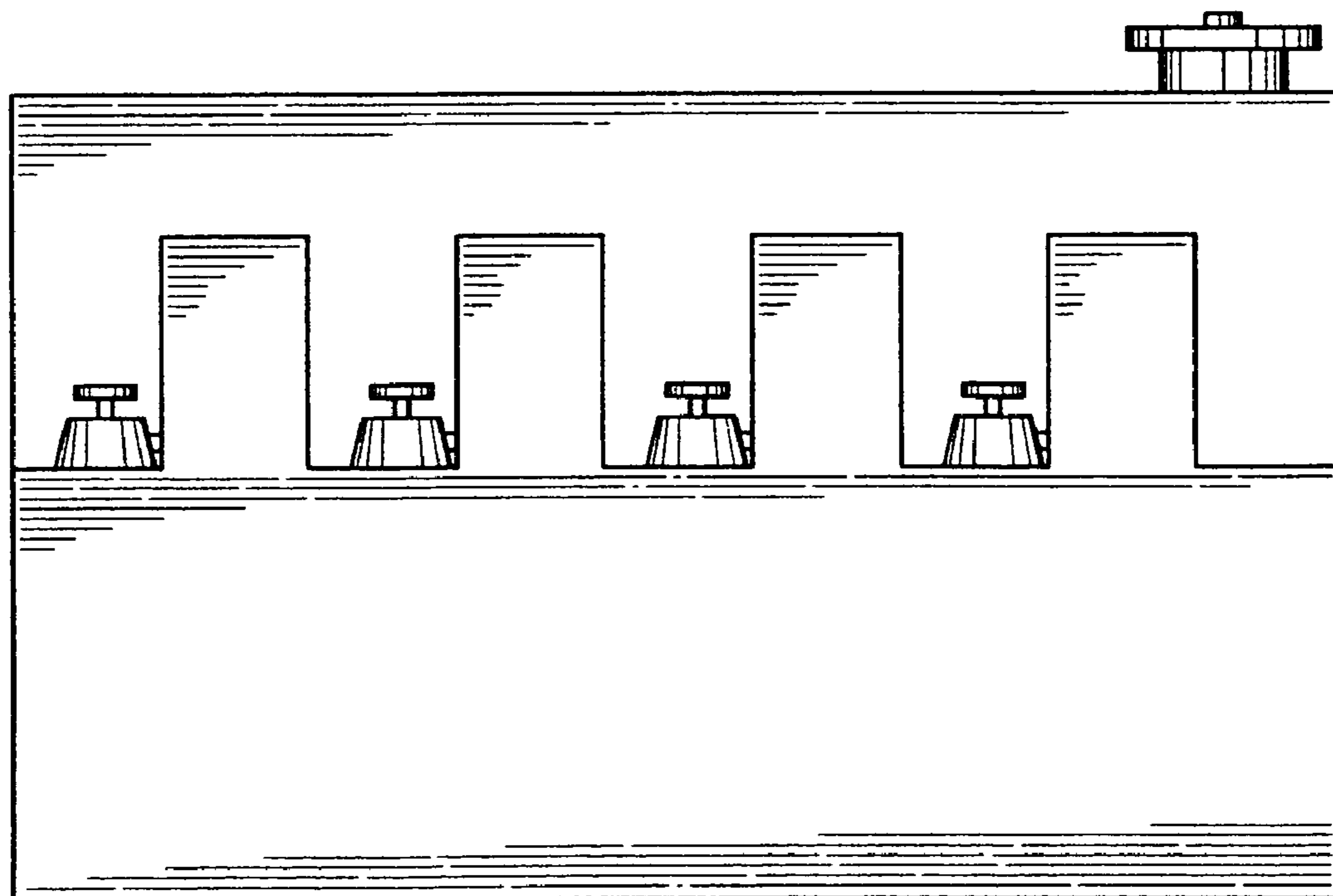


FIG. 2

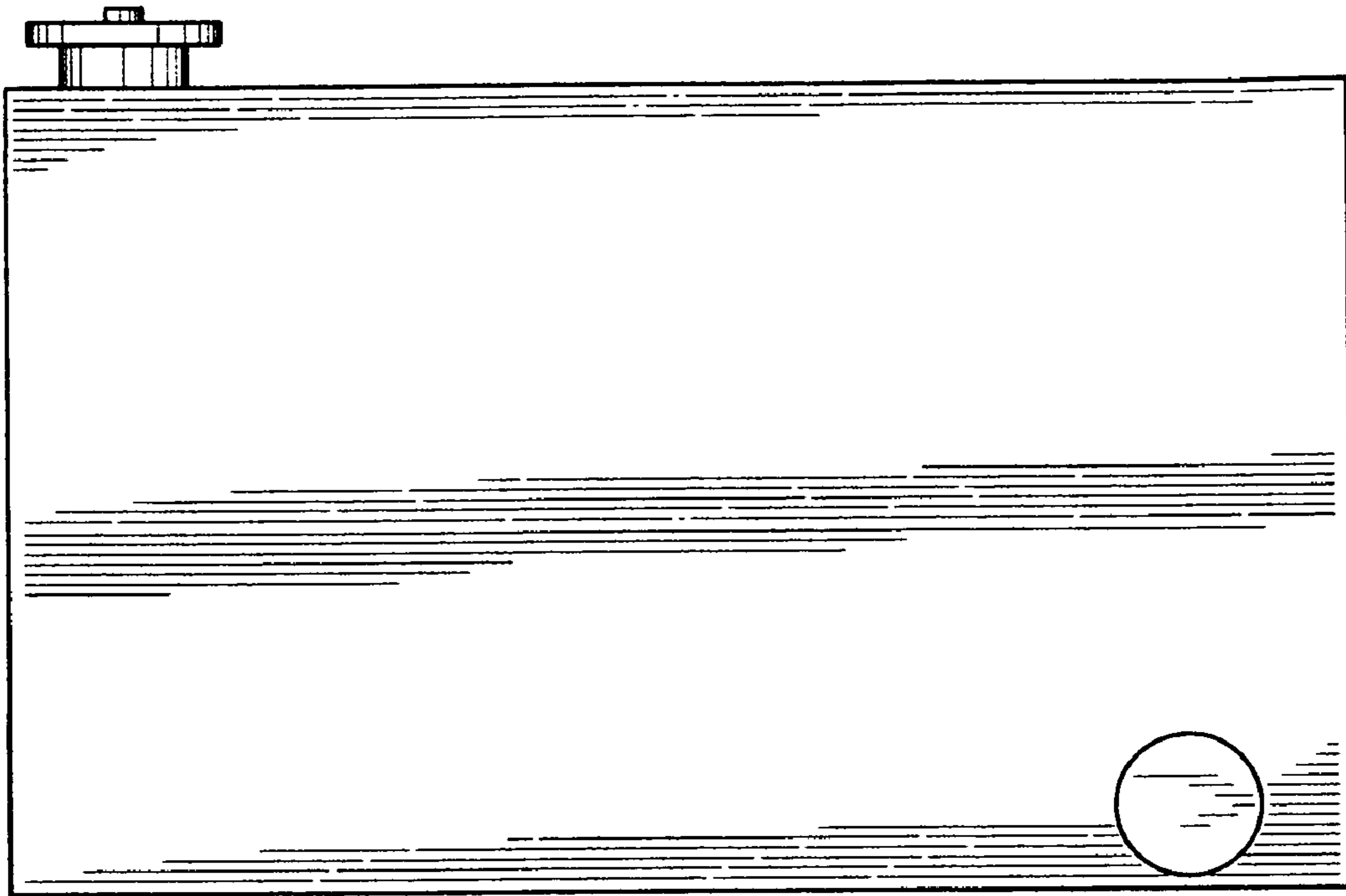


FIG. 4

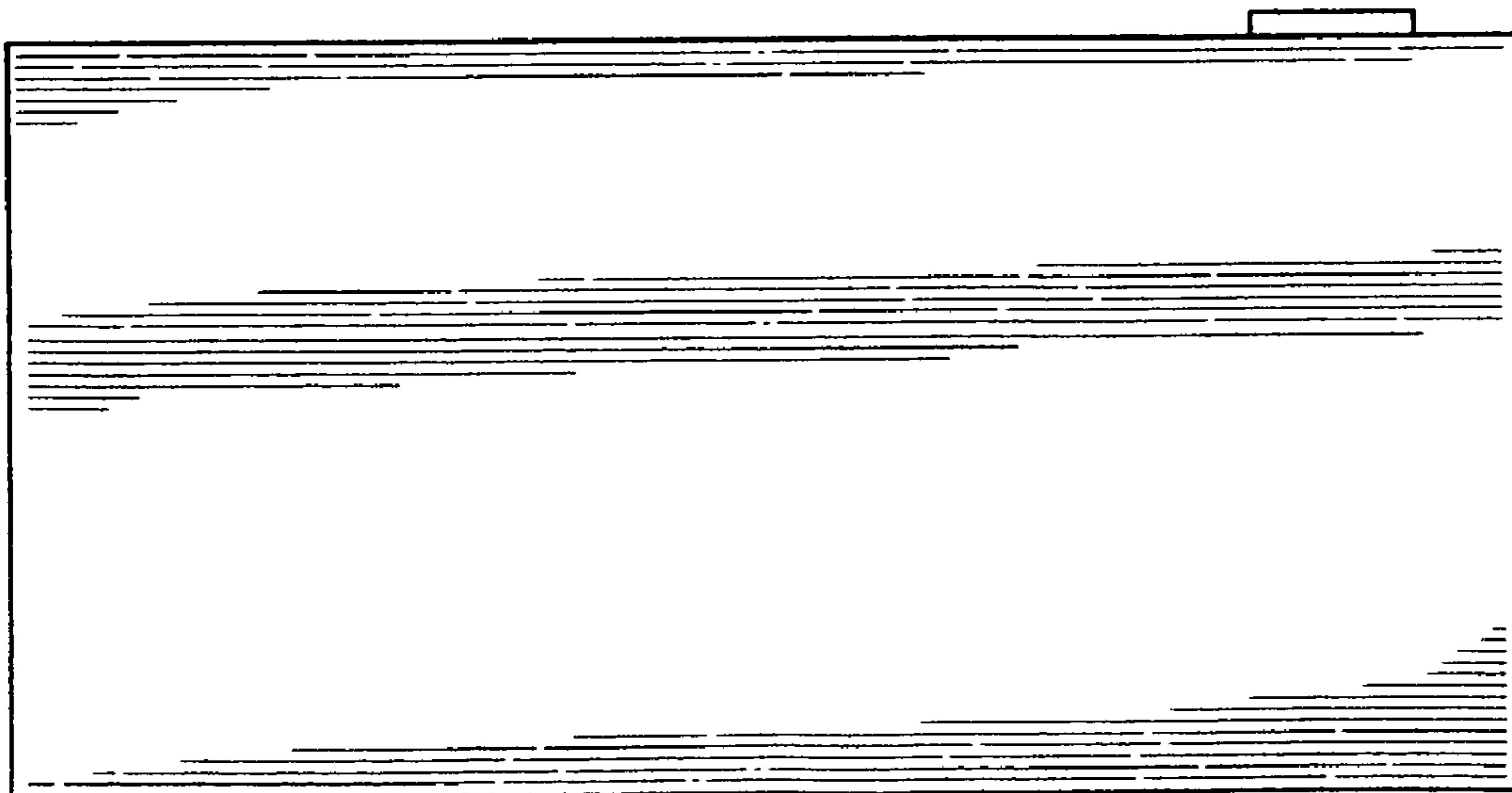


FIG. 5

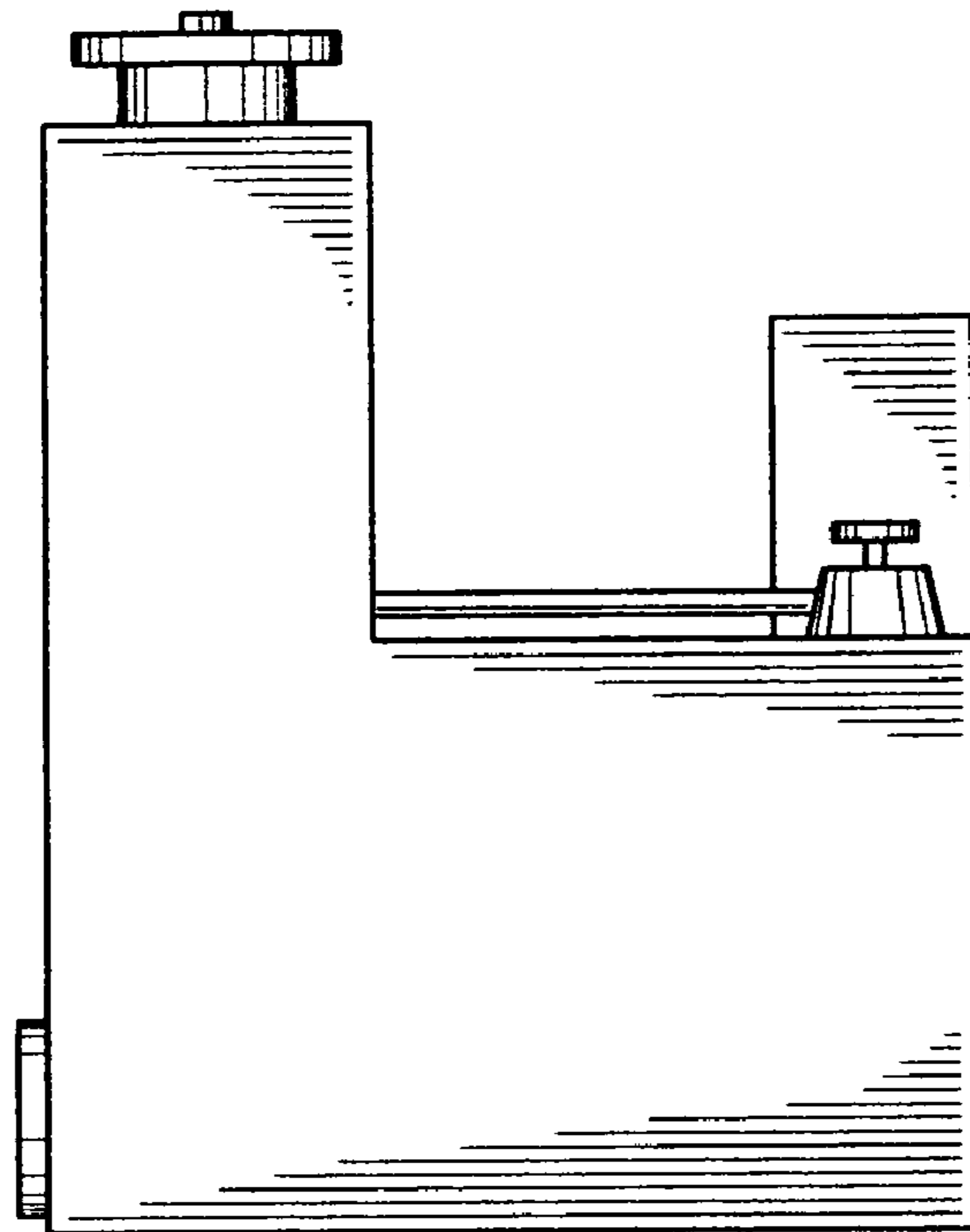


FIG. 6

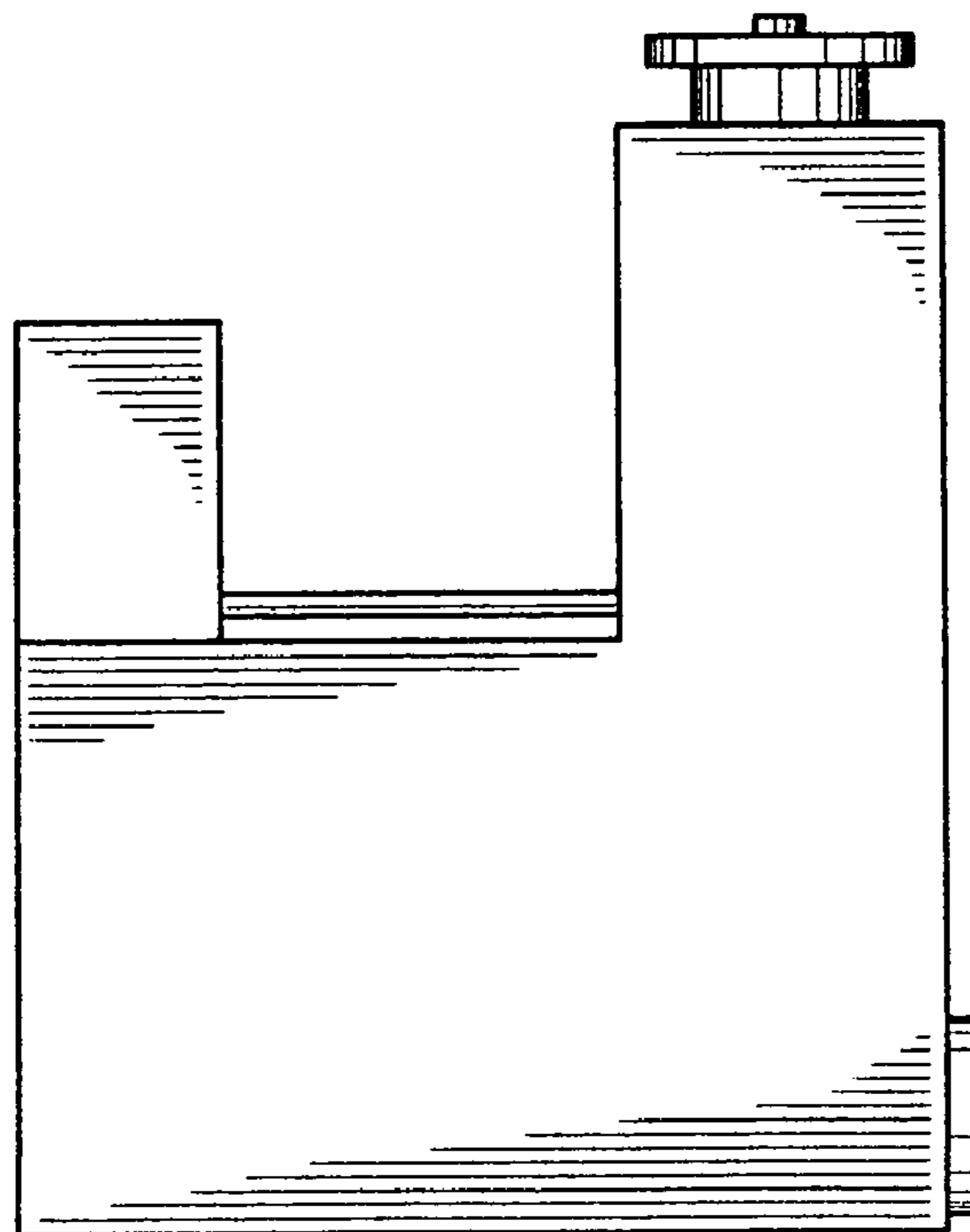


FIG. 7