



US00D618935S

(12) **United States Design Patent**
Metcalf et al.

(10) **Patent No.:** **US D618,935 S**

(45) **Date of Patent:** **** *Jul. 6, 2010**

(54) **TABLE**

(75) Inventors: **Keith E. Metcalf**, Jasper, IN (US);
Terry E. Carroll, Jasper, IN (US); **Neil D. Broeker**, Jasper, IN (US); **Beth A. Teder**, Jasper, IN (US)

(73) Assignee: **Kimball International, Inc.**, Jasper, IN (US)

(*) Notice: This patent is subject to a terminal disclaimer.

(**) Term: **14 Years**

(21) Appl. No.: **29/337,890**

(22) Filed: **Jun. 1, 2009**

(51) **LOC (9) Cl.** **06-03**

(52) **U.S. Cl.** **D6/484; D6/349**

(58) **Field of Classification Search** D6/480–489,
D6/429–431, 495–499, 349, 355, 422, 478;
108/150, 152, 153.1, 157.1, 161; 248/188,
248/188.1, 188.7, 188.8; 297/461, 462

See application file for complete search history.

(56) **References Cited**

U.S. PATENT DOCUMENTS

974,018	A	*	10/1910	Binckely	108/146
2,564,338	A	*	8/1951	McCarroll	108/62
2,579,577	A	*	12/1951	Hill	297/461
2,625,204	A	*	1/1953	Reichman	297/105
D185,544	S	*	6/1959	Frey	D6/447
3,093,410	A		6/1963	Wilson		
3,127,216	A		3/1964	Clouse		
D202,339	S		9/1965	McRee		
3,227,112	A	*	1/1966	Wiseman	108/11
D241,485	S		9/1976	Blodee		
D244,334	S	*	5/1977	Ferguson	D6/428
D452,624	S		1/2002	De Blois		
D453,083	S	*	1/2002	Hokanson	D6/484
D484,709	S		1/2004	Cronk et al.		
D489,544	S		5/2004	Nastri		
D532,999	S	*	12/2006	Domack et al.	D6/480

D540,569	S		4/2007	Bibi		
D561,493	S	*	2/2008	Domack et al.	D6/480
D567,527	S		4/2008	Galardo		
D597,328	S	*	8/2009	Schweikarth et al.	D6/355
D604,064	S	*	11/2009	Garbin	D6/480

OTHER PUBLICATIONS

Product Literature, Jofco, "Collective", at least as early as Jun. 1, 2009.

Product Literature, David Edward, "LSM", at least as early as Jun. 1, 2009.

(Continued)

Primary Examiner—Janice E Seeger

(74) *Attorney, Agent, or Firm*—Baker & Daniels LLP

(57) **CLAIM**

The ornamental design for a table, as shown and described.

DESCRIPTION

FIG. 1 is a front perspective view of a table according to our new design;

FIG. 2 is a front view, right side view, left side view, and rear view, thereof, it being understood that the table is square in shape; and

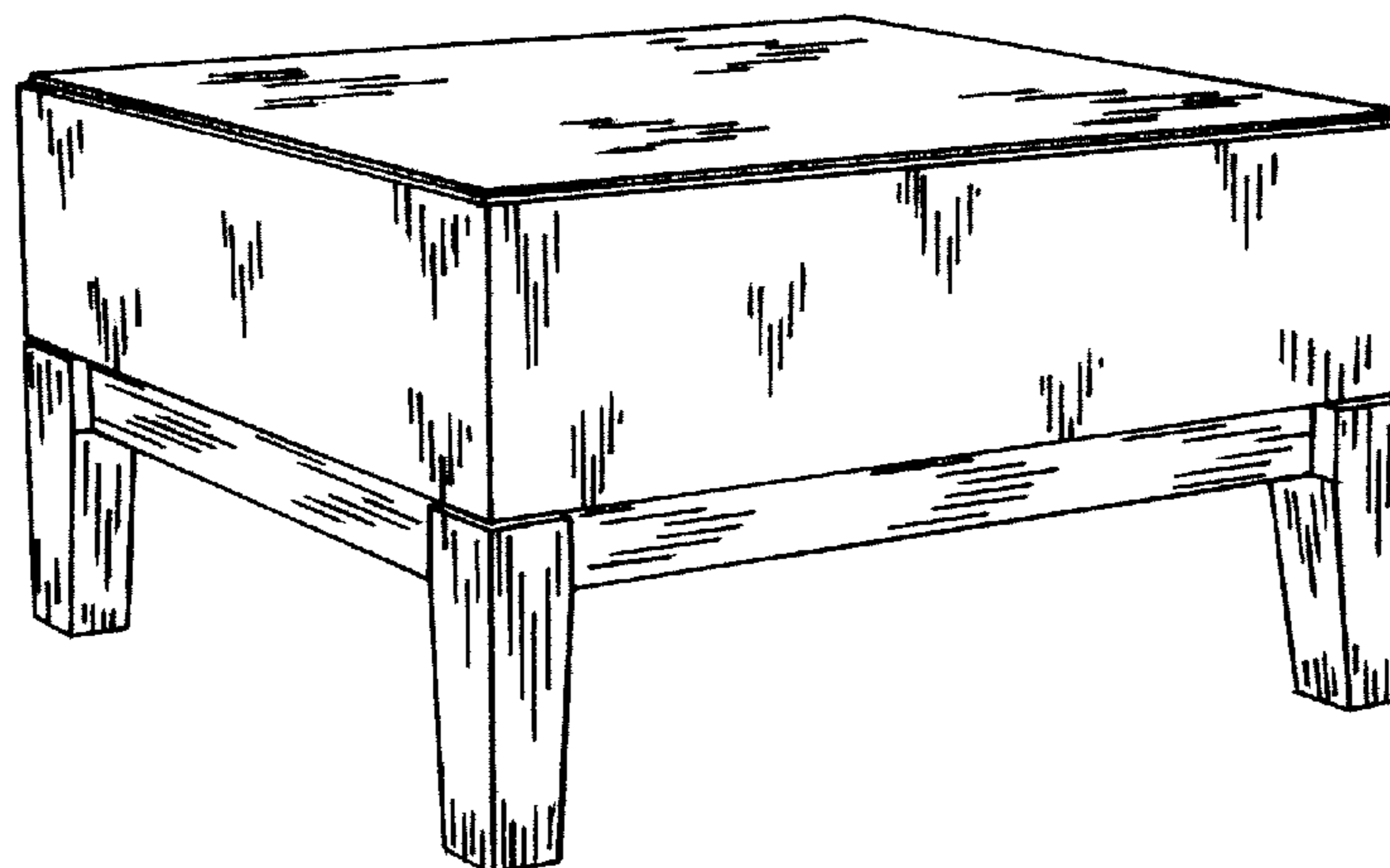
FIG. 3 is a top view thereof.

FIG. 4 is a front perspective view of a table according to a second embodiment of our new design;

FIG. 5 is a front view, right side view, left side view, and rear view, thereof, it being understood that the table is square in shape; and,

FIG. 6 is a top view thereof.

1 Claim, 3 Drawing Sheets



OTHER PUBLICATIONS

Product Literature, Cabot Wrenn, "Lumos", at least as early as Jun. 1, 2009.

Product Literature, Krug, "Sera", at least as early as Jun. 1, 2009.

Product Literature, Martin Brattrud, "St. Germain", at least as early as Jun. 1, 2009.

Product Literature, Steelcase/Turnstone, "Jenny", at least as early as Jun. 1, 2009.

* cited by examiner

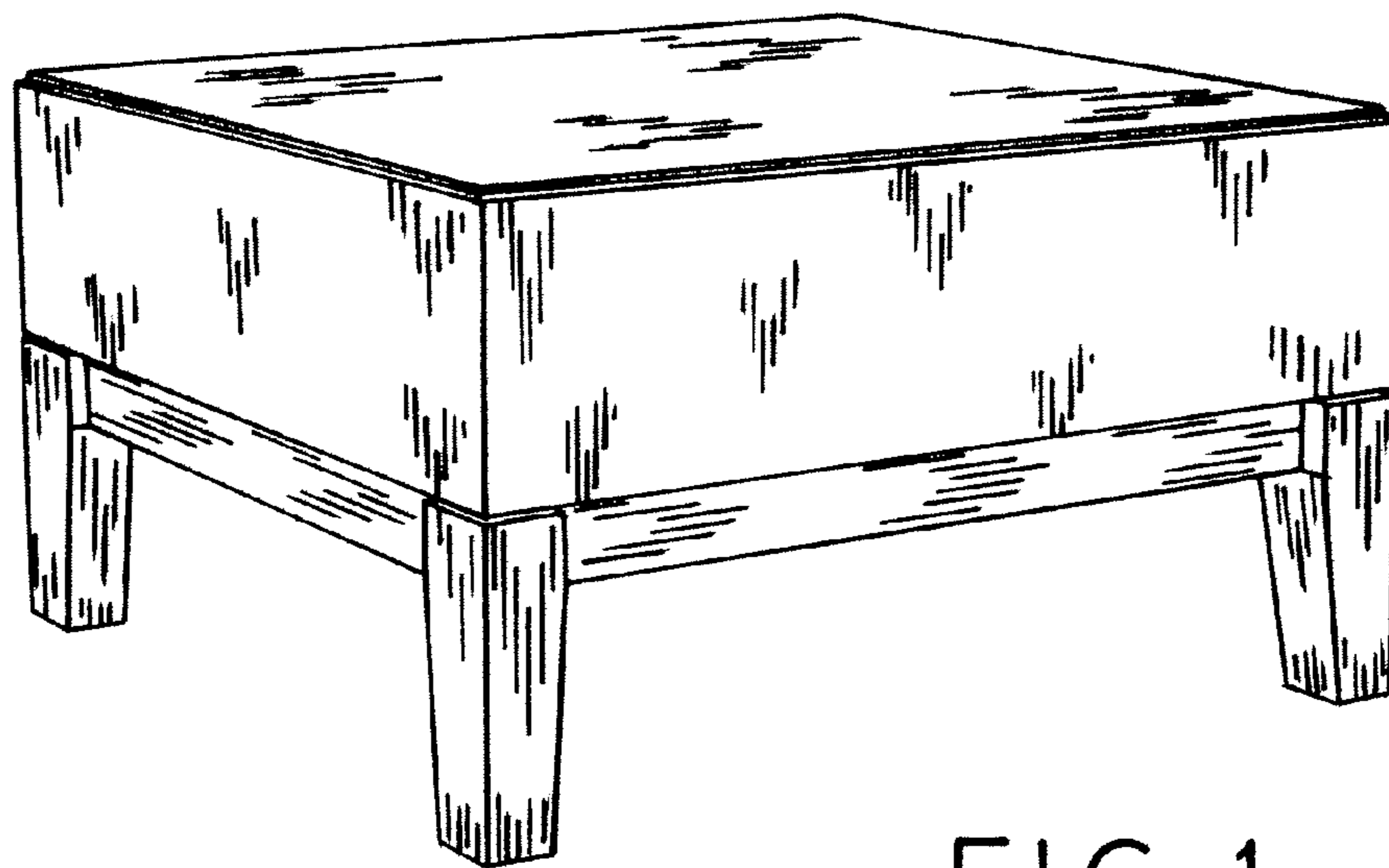


FIG. 1

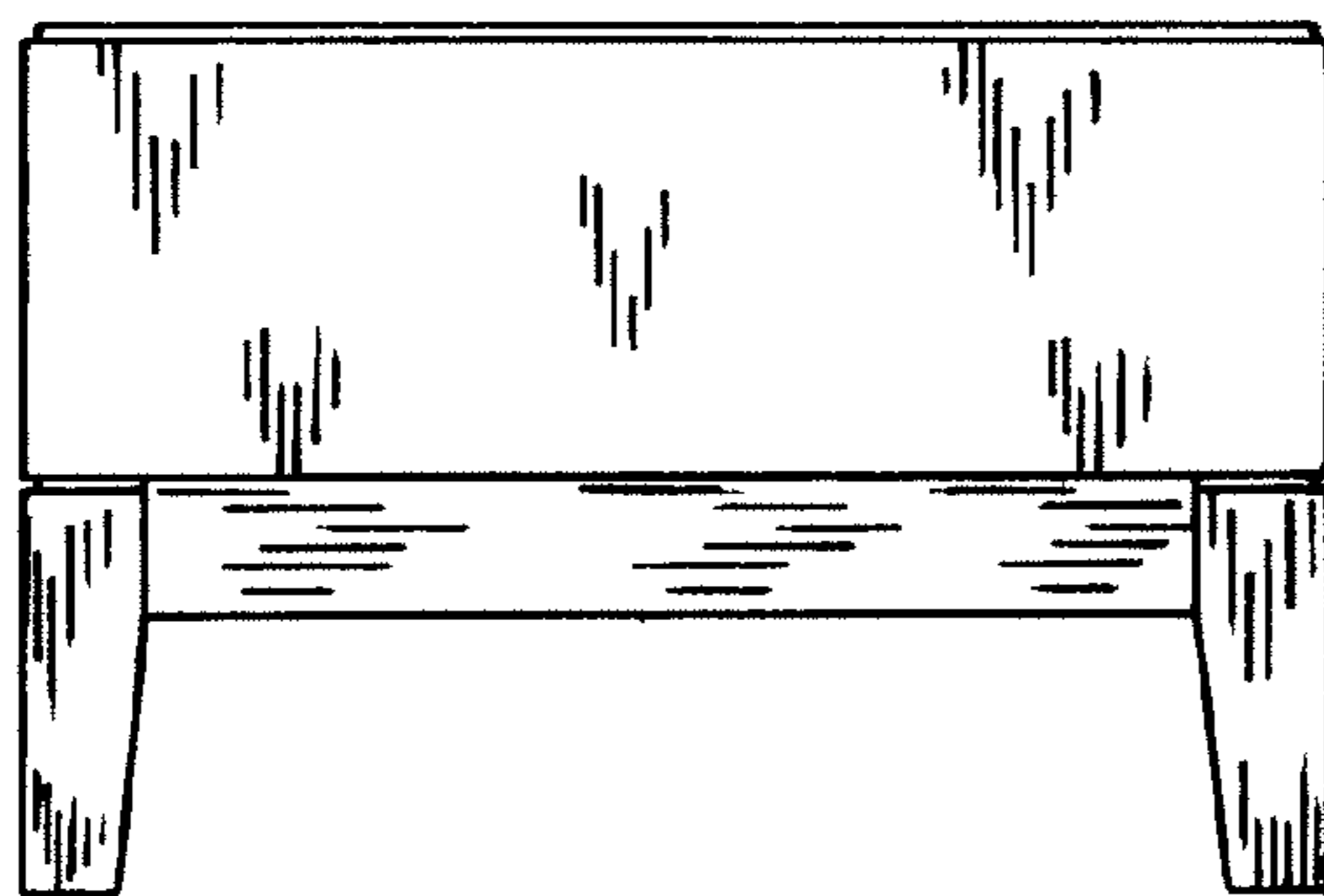


FIG. 2

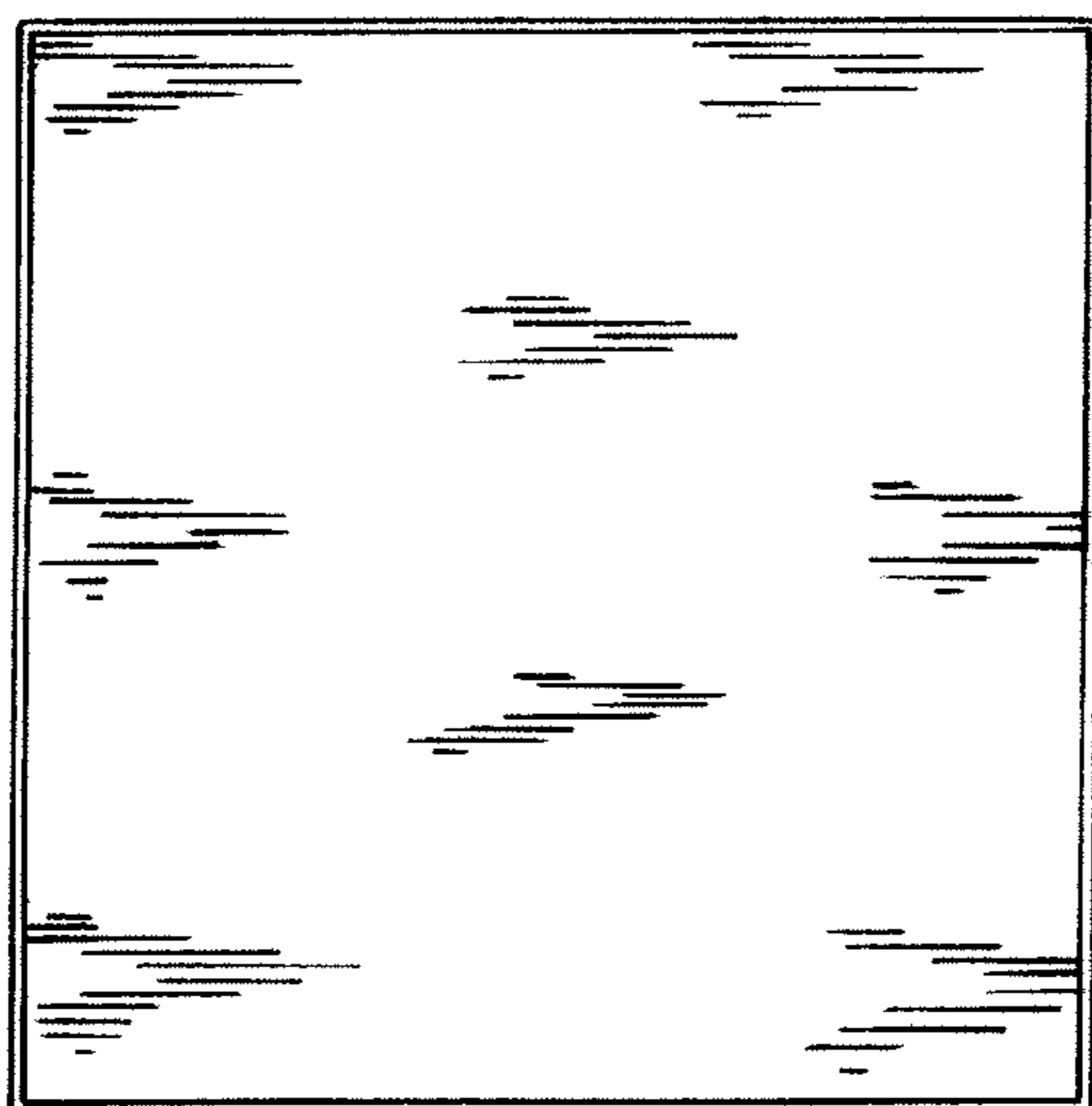


FIG. 3

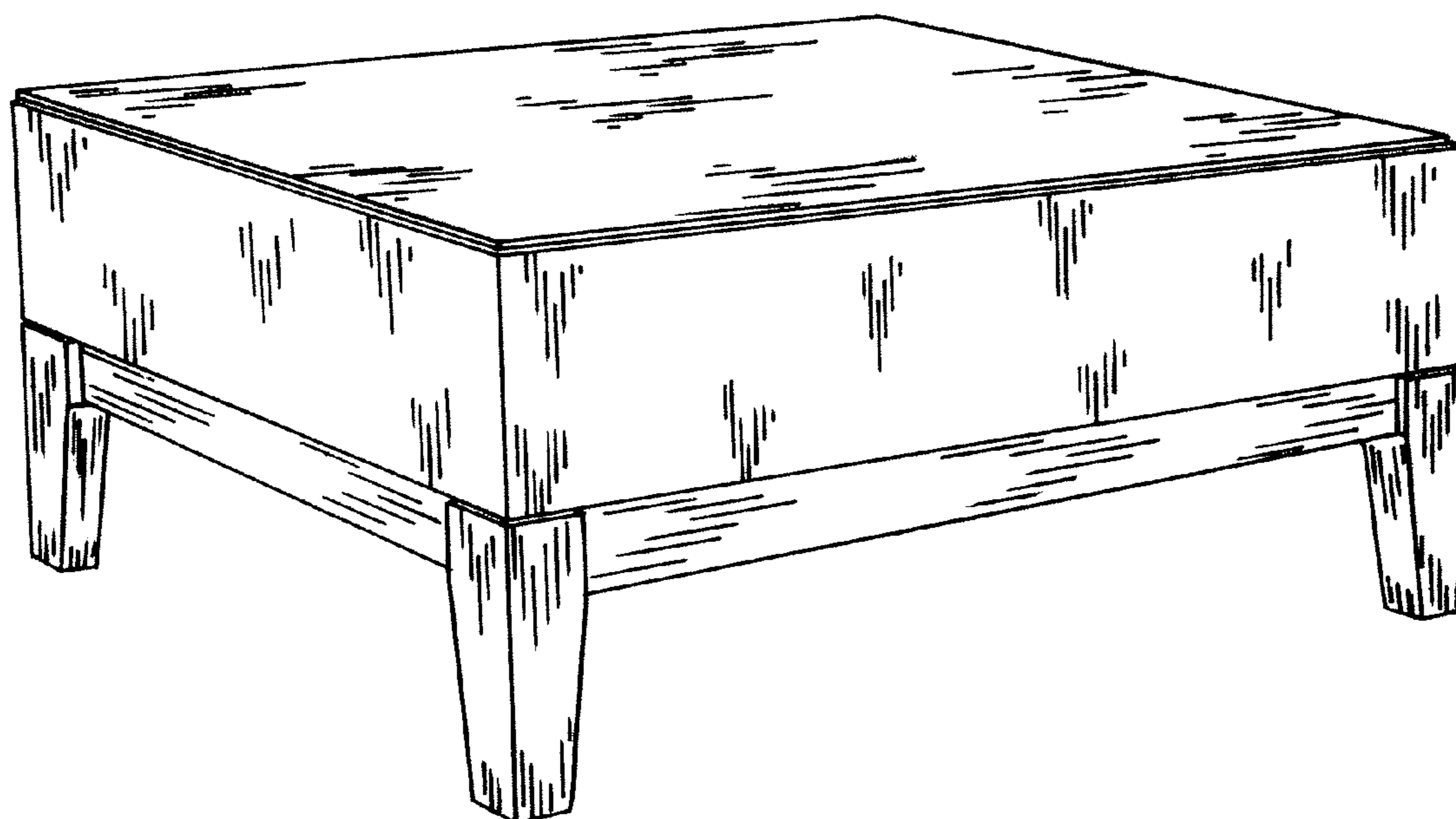


FIG. 4

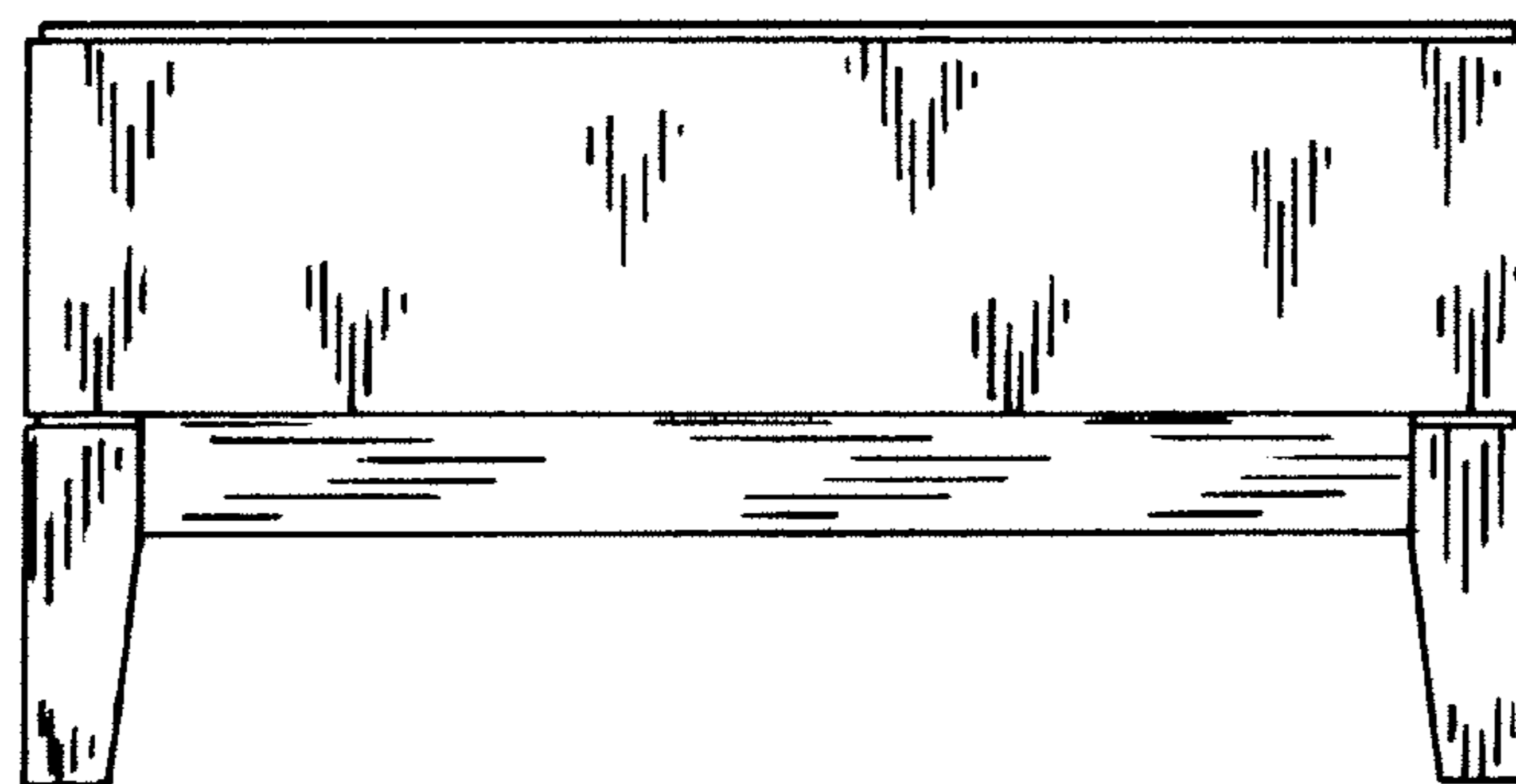


FIG. 5

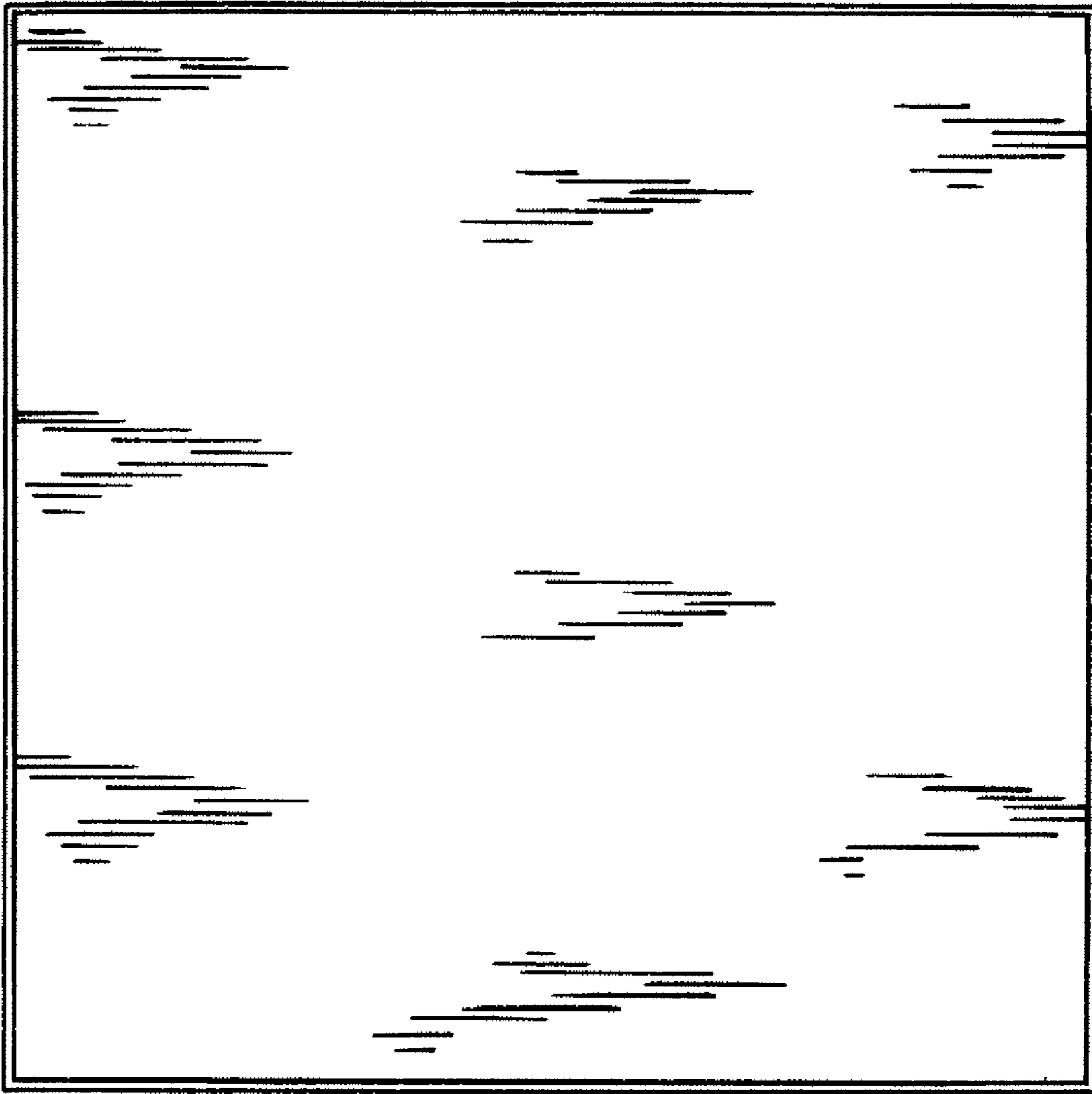


FIG. 6