



US00D618929S

(12) **United States Design Patent**  
**Yeong**

(10) **Patent No.:** **US D618,929 S**  
(45) **Date of Patent:** **\*\* Jul. 6, 2010**

- (54) **SOFA-BED WITH STORAGE SPACE**
- (75) Inventor: **Cheah Kah Yeong**, Kuala Lumpur (MY)
- (73) Assignee: **Lifestyle Solutions, Inc.**, Fremont, CA (US)
- (\*\*) Term: **14 Years**
- (21) Appl. No.: **29/289,241**
- (22) Filed: **Jul. 12, 2007**

D541,072	S	*	4/2007	Natuzzi	.....	D6/381
D544,244	S	*	6/2007	Ricci	.....	D6/381
7,269,865	B2	*	9/2007	James et al.	.....	5/58
D569,123	S	*	5/2008	Roos et al.	.....	D6/381
D571,561	S	*	6/2008	Natuzzi	.....	D6/334
D583,585	S	*	12/2008	Weiss	.....	D6/381
D592,879	S	*	5/2009	Natuzzi	.....	D6/381
2007/0000047	A1	*	1/2007	James et al.	.....	5/58

\* cited by examiner

*Primary Examiner*—Sandra Snapp  
(74) *Attorney, Agent, or Firm*—Winstead P.C.

- (51) **LOC (9) Cl.** ..... **06-01**
- (52) **U.S. Cl.** ..... **D6/381**
- (58) **Field of Classification Search** ..... D6/334, D6/335, 341, 353, 360, 364, 367, 369, 371, D6/376, 377, 379–381, 500–502, 374, 349, D6/355, 370, 382, 491, 495, 503; 297/445.1, 297/446.1, 68, 232, 233, 353, 448.1, 448.2, 297/DIG. 7; 5/12.1, 12.2  
See application file for complete search history.

(57) **CLAIM**

The ornamental design for a sofa bed with storage space, as shown and described.

**DESCRIPTION**

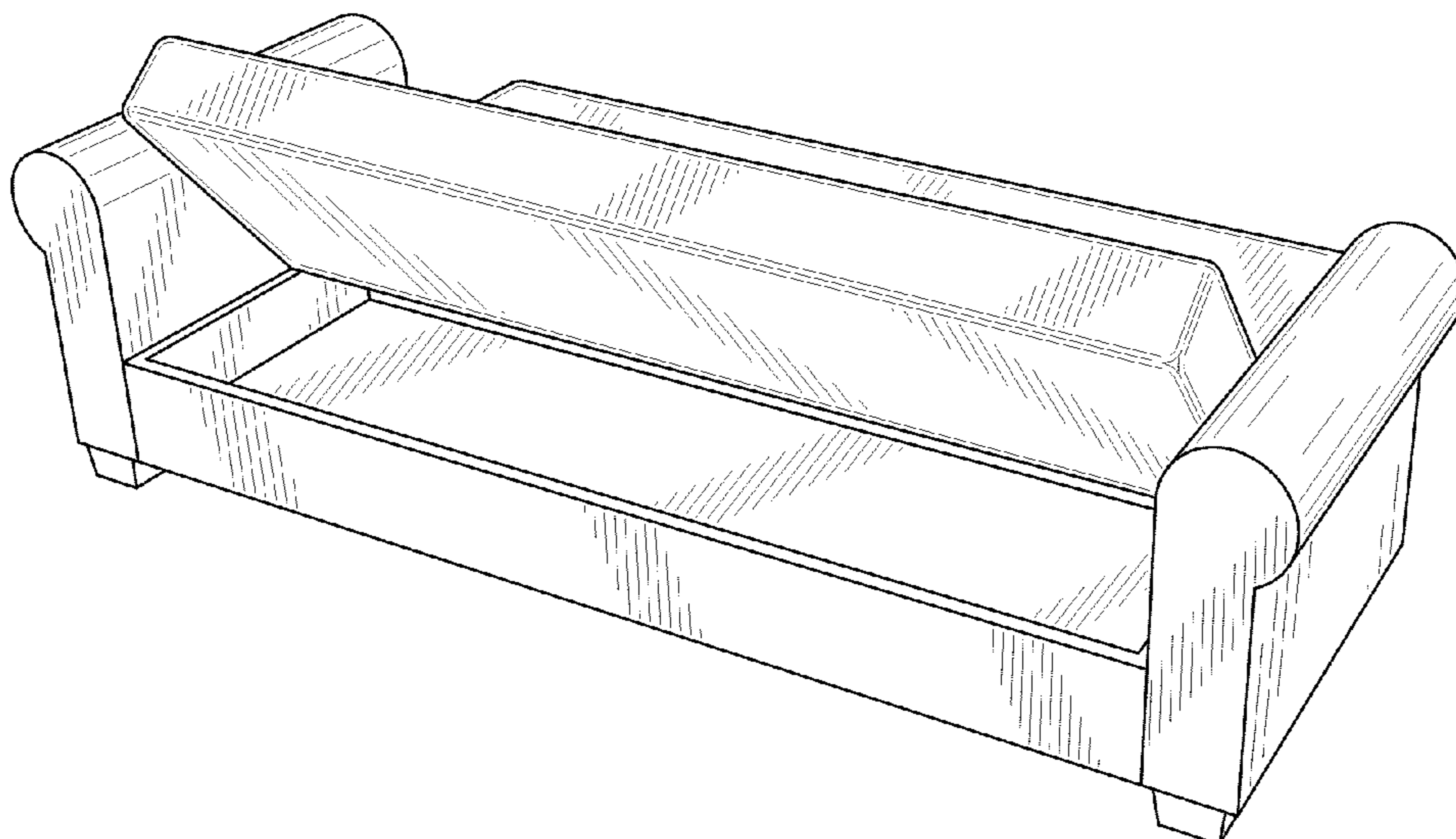
FIG. 1 is a top view of the sofa bed in a sofa position;  
 FIG. 2 is a front view of the sofa bed in a sofa position;  
 FIG. 3 is a side view of the sofa bed in a sofa position;  
 FIG. 4 is top view of the sofa bed in a bed position;  
 FIG. 5 is a front view of the sofa bed in a bed position;  
 FIG. 6 is a side view of the sofa bed in a bed position;  
 FIG. 7 is a perspective view of the sofa bed in a bed position;  
 FIG. 8 is a perspective view of the back side of the sofa bed in a sofa position, and showing the storage space;  
 FIG. 9 is a perspective view of the sofa bed in a lounge position; and,  
 FIG. 10 is a perspective view of the sofa bed in a sofa position.

(56) **References Cited**

U.S. PATENT DOCUMENTS

1,032,063	A	*	7/1912	Hoey	.....	5/44.1
2,033,795	A	*	3/1936	Ward, Jr.	.....	5/58
2,692,009	A	*	10/1954	Warshaver	.....	5/58
4,110,855	A	*	9/1978	Acker	.....	5/45
4,292,698	A	*	10/1981	Acker	.....	5/45
4,538,308	A	*	9/1985	Grigoriev	.....	5/42.1
5,329,654	A	*	7/1994	Sherman	.....	5/14
6,050,638	A	*	4/2000	West, III	.....	297/219.1
D430,421	S	*	9/2000	Natuzzi et al.	.....	D6/381
D483,195	S	*	12/2003	Natuzzi	.....	D6/381
D525,454	S	*	7/2006	Natuzzi	.....	D6/381
D526,806	S	*	8/2006	Natuzzi	.....	D6/381

**1 Claim, 6 Drawing Sheets**



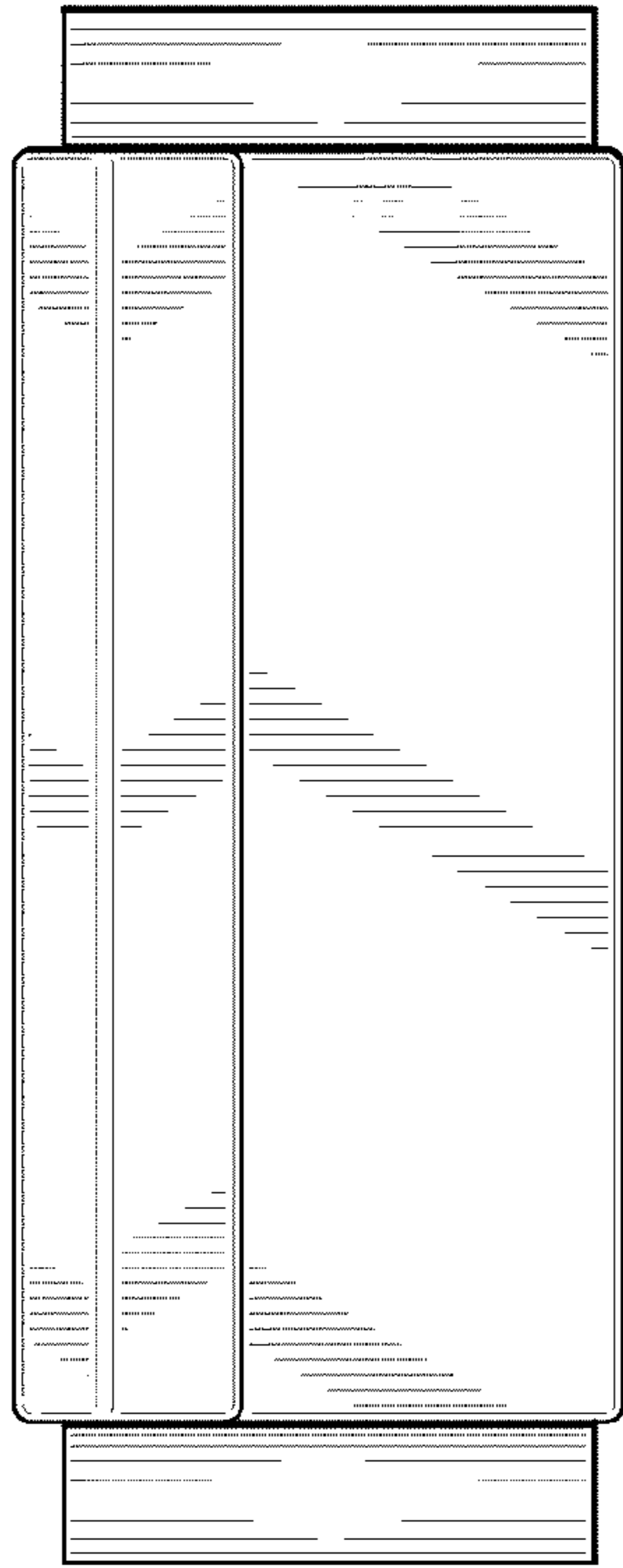


FIG. 1

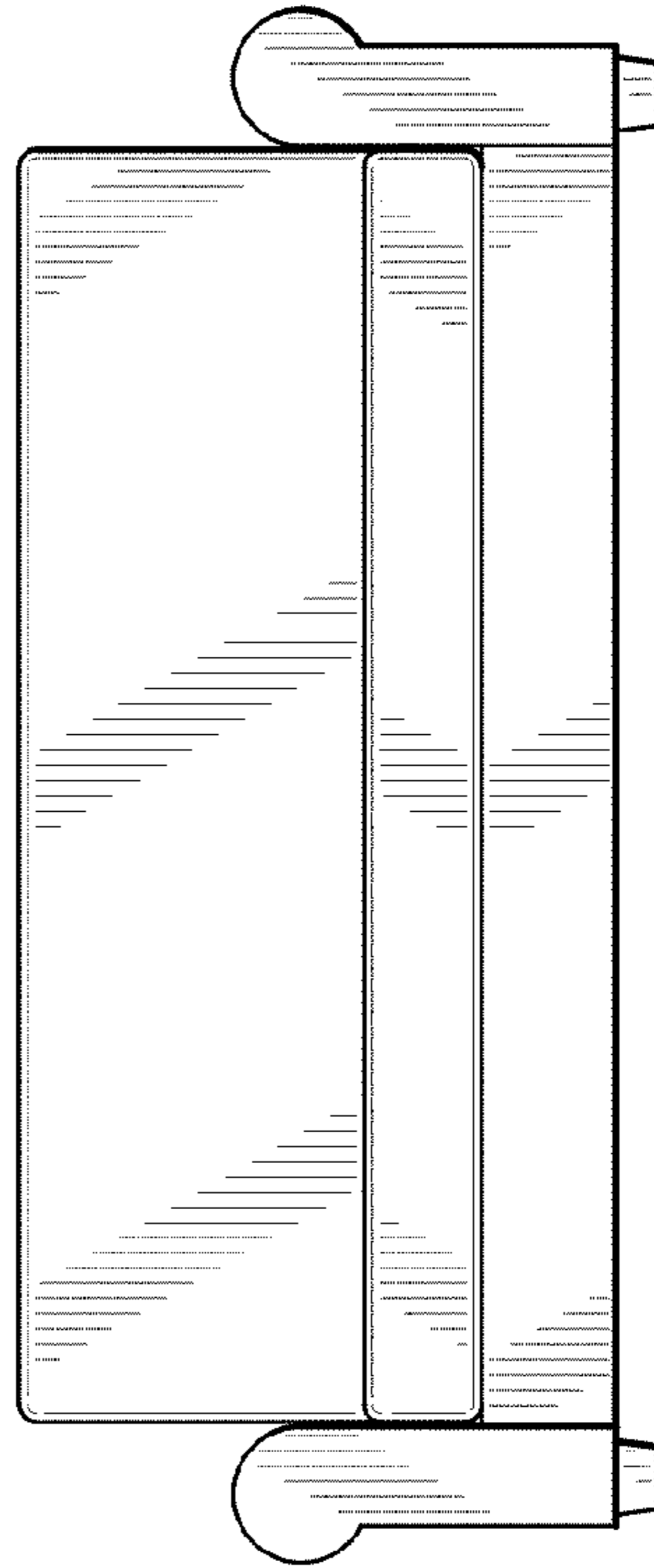


FIG. 2

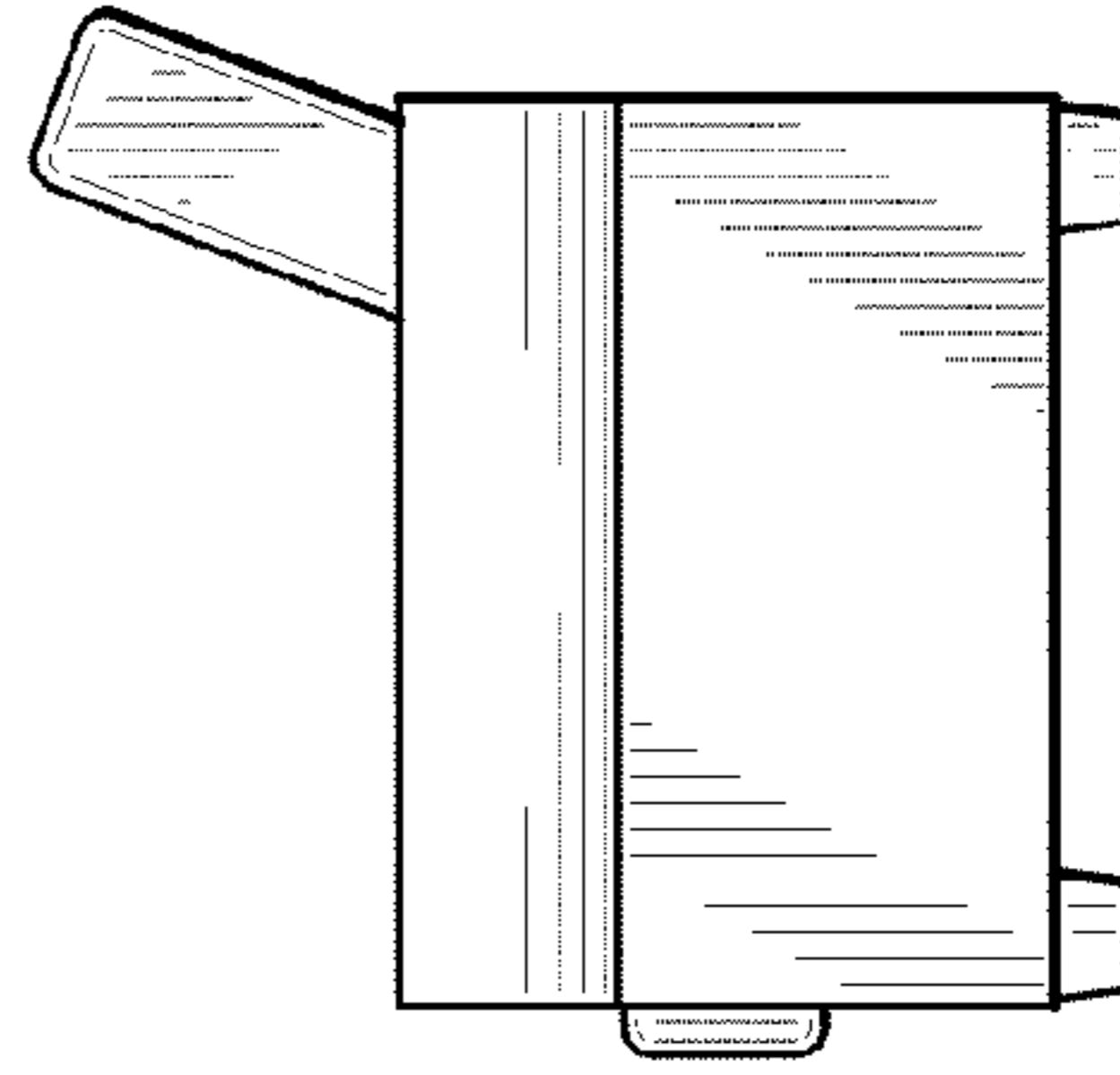


FIG. 3

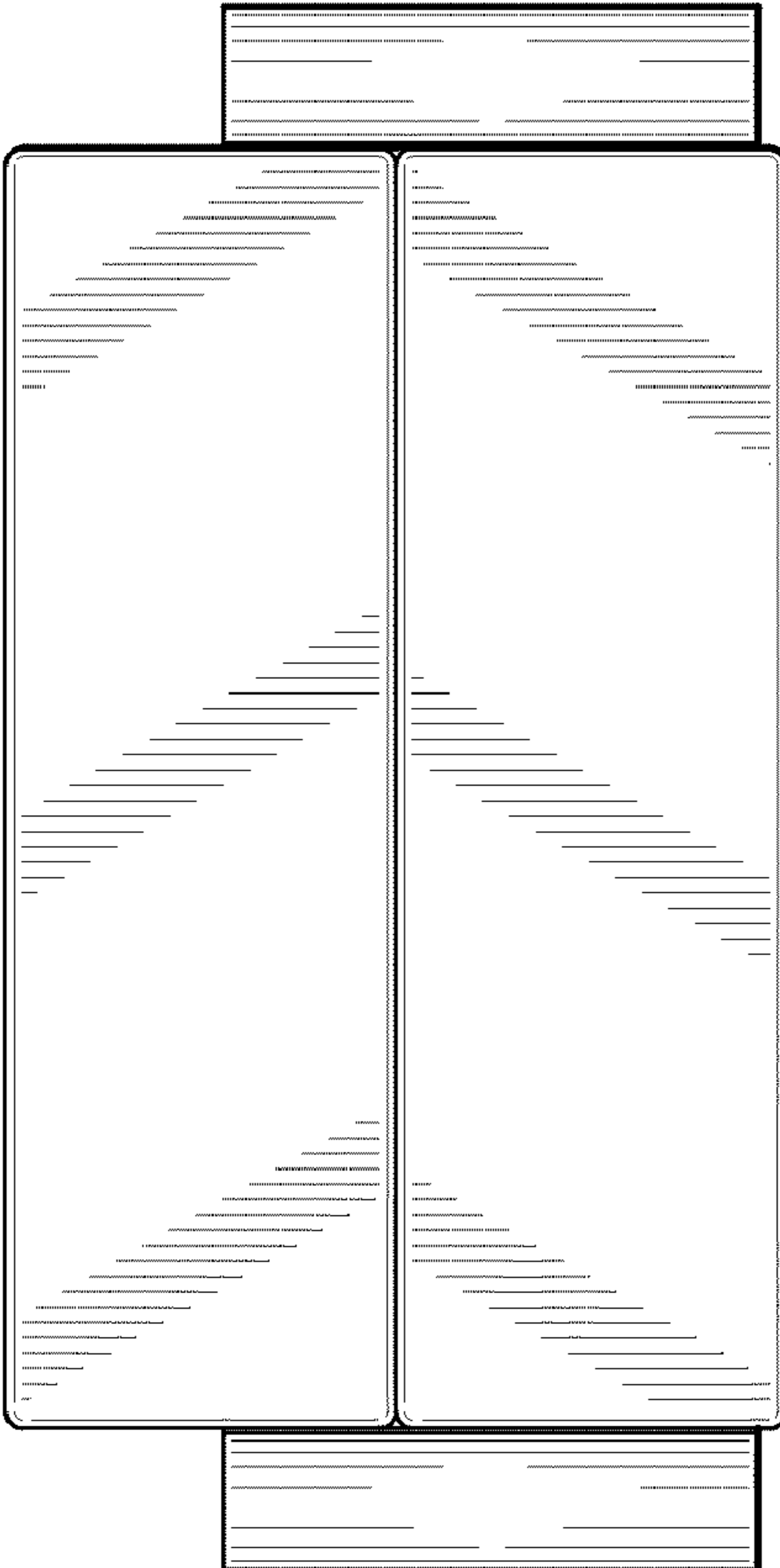


FIG. 4

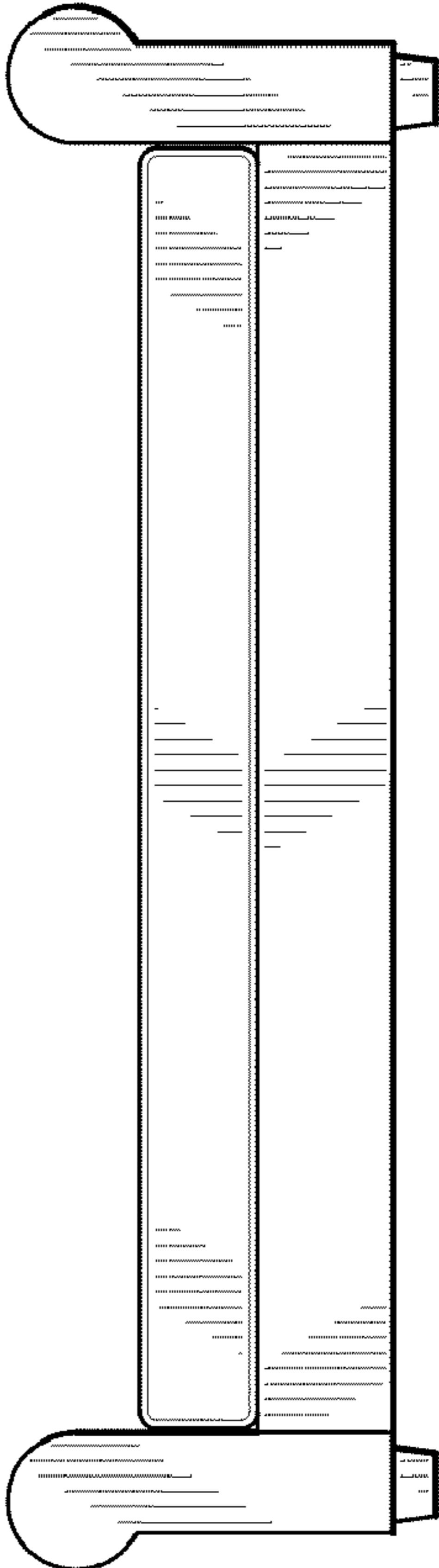


FIG. 5

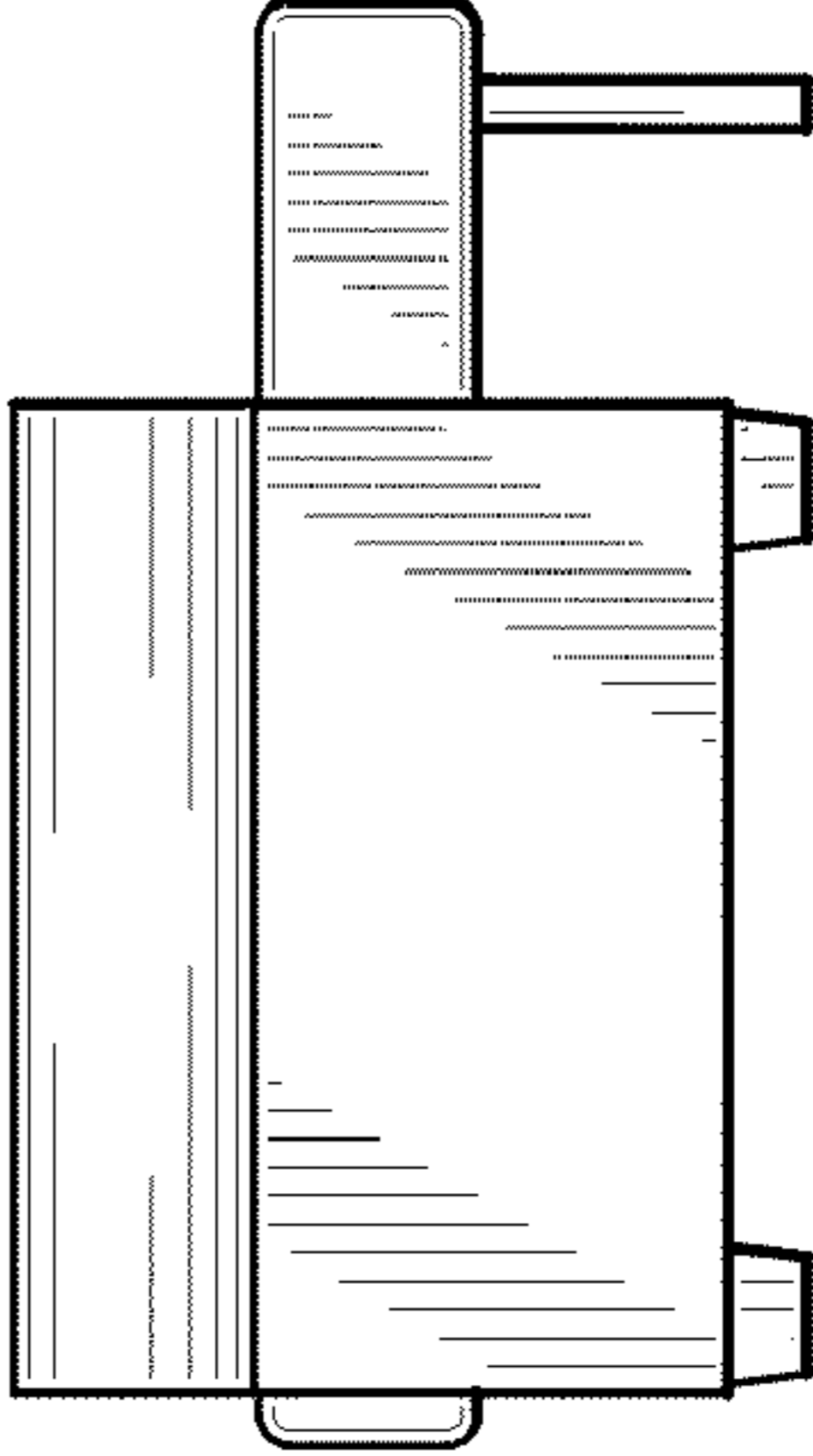


FIG. 6

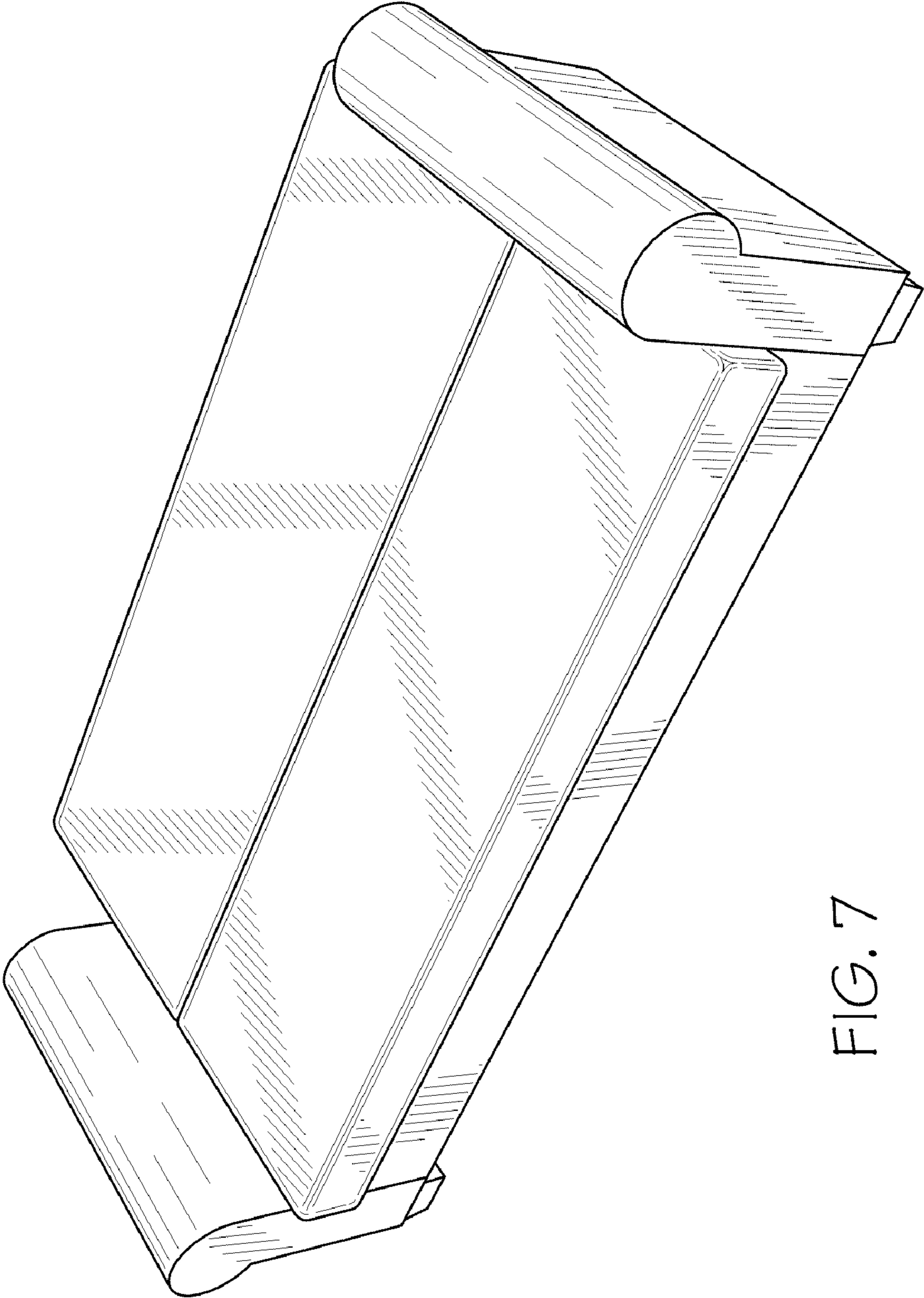


FIG. 7

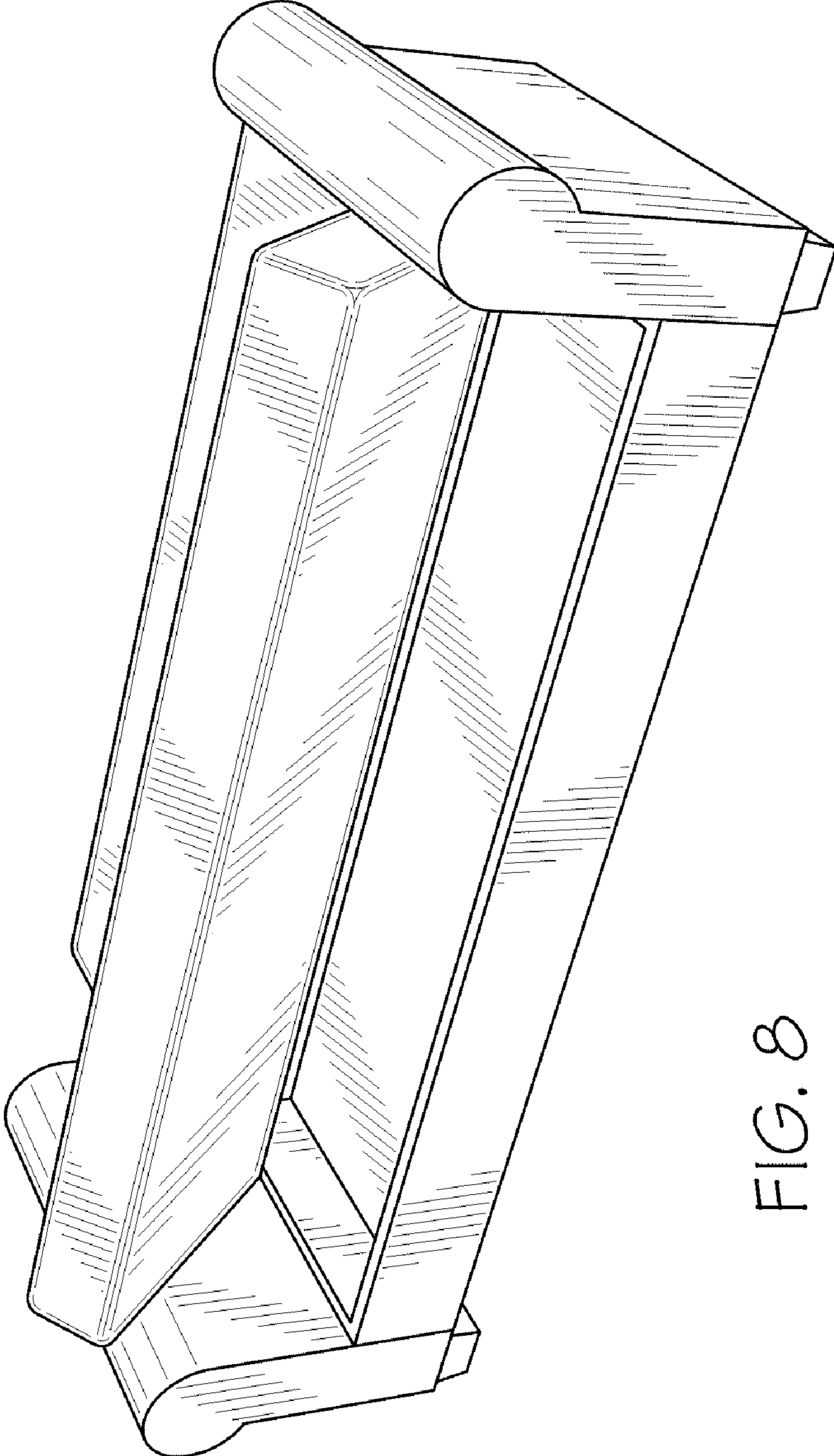


FIG. 8

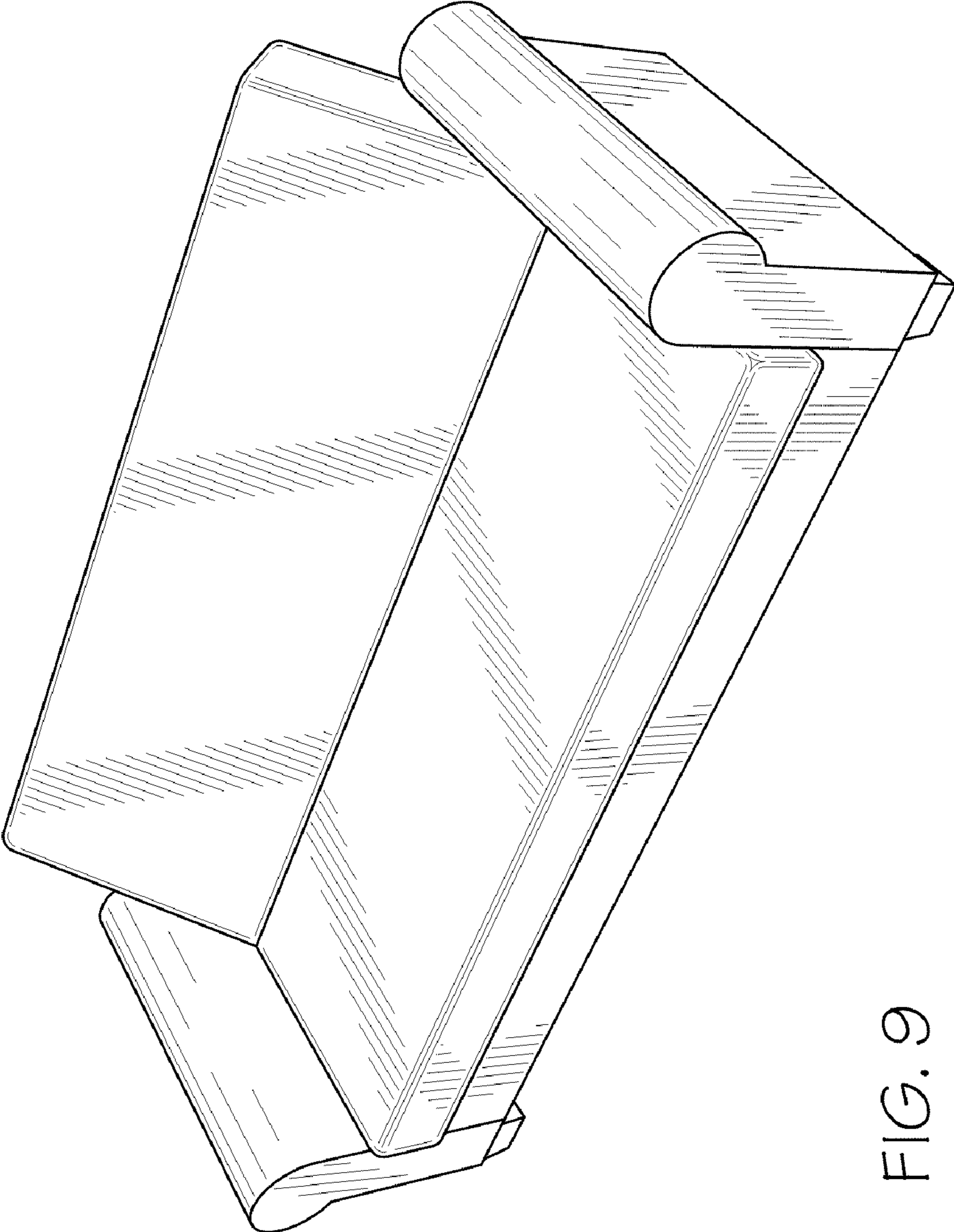


FIG. 9

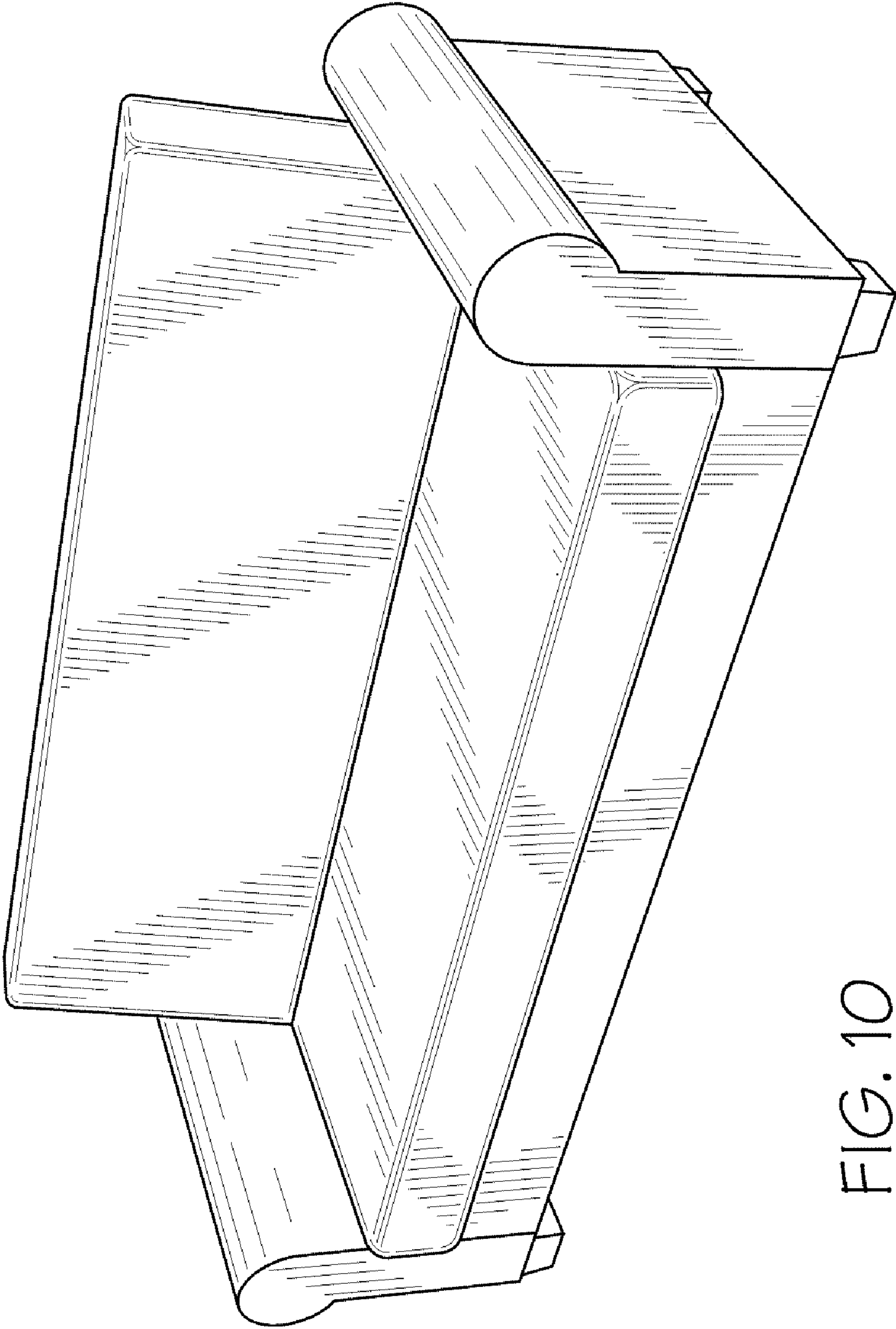


FIG. 10