



US00D618926S

(12) **United States Design Patent**
Holbrook

(10) **Patent No.:** **US D618,926 S**
(45) **Date of Patent:** **** Jul. 6, 2010**

(54) **INFANT CARRIER SEAT ROCKER ACCESSORY**

(76) Inventor: **Paul Robert Holbrook**, 2218 Miramar La., Buffalo Grove, IL (US) 60089

(**) Term: **14 Years**

(21) Appl. No.: **29/348,028**

(22) Filed: **Nov. 19, 2009**

(51) **LOC (9) Cl.** **06-01**

(52) **U.S. Cl.** **D6/339**

(58) **Field of Classification Search** D6/333, D6/335, 339, 491, 500-502; D12/129; D21/412, D21/419; 280/30, 31; 5/94, 98.1, 99.1, 101, 5/102, 105, 655; 297/183.1, 183.2, 183.3, 297/183.4, 184.13, 184.15, 184.17, 250.1, 297/255, 256.1, 256.15, 156.16; 24/200, 24/211

See application file for complete search history.

(56) **References Cited**

U.S. PATENT DOCUMENTS

4,620,334	A *	11/1986	Robinson	5/108
4,656,680	A *	4/1987	Wilson	5/108
4,911,499	A	3/1990	Meeker		
5,342,113	A *	8/1994	Wu	297/260.2
5,711,045	A *	1/1998	Caster et al.	5/109
5,863,097	A *	1/1999	Harper et al.	297/260.2
6,378,940	B1 *	4/2002	Longoria et al.	297/217.3
6,431,646	B1 *	8/2002	Longoria	297/217.3
6,594,840	B2 *	7/2003	Tomas et al.	5/655
6,966,082	B2	11/2005	Bloemer et al.		
7,395,560	B2	7/2008	Bloemer et al.		
7,485,086	B2 *	2/2009	Dickie	600/28
7,551,100	B1 *	6/2009	Salley et al.	340/692
2002/0113469	A1	8/2002	Stern et al.		

2007/0120404 A1 5/2007 Bellows et al.

* cited by examiner

Primary Examiner—Sandra Snapp

(57) **CLAIM**

The ornamental design for an infant carrier seat rocker accessory, as shown and described.

DESCRIPTION

FIG. 1 is a perspective view of an infant carrier seat rocker accessory of my new design;

FIG. 2 is a left elevational view thereof, the right side being a mirror image;

FIG. 3 is a front elevational view thereof, the rear being a mirror image;

FIG. 4 is a top plan elevational view thereof;

FIG. 5 is a bottom plan view thereof;

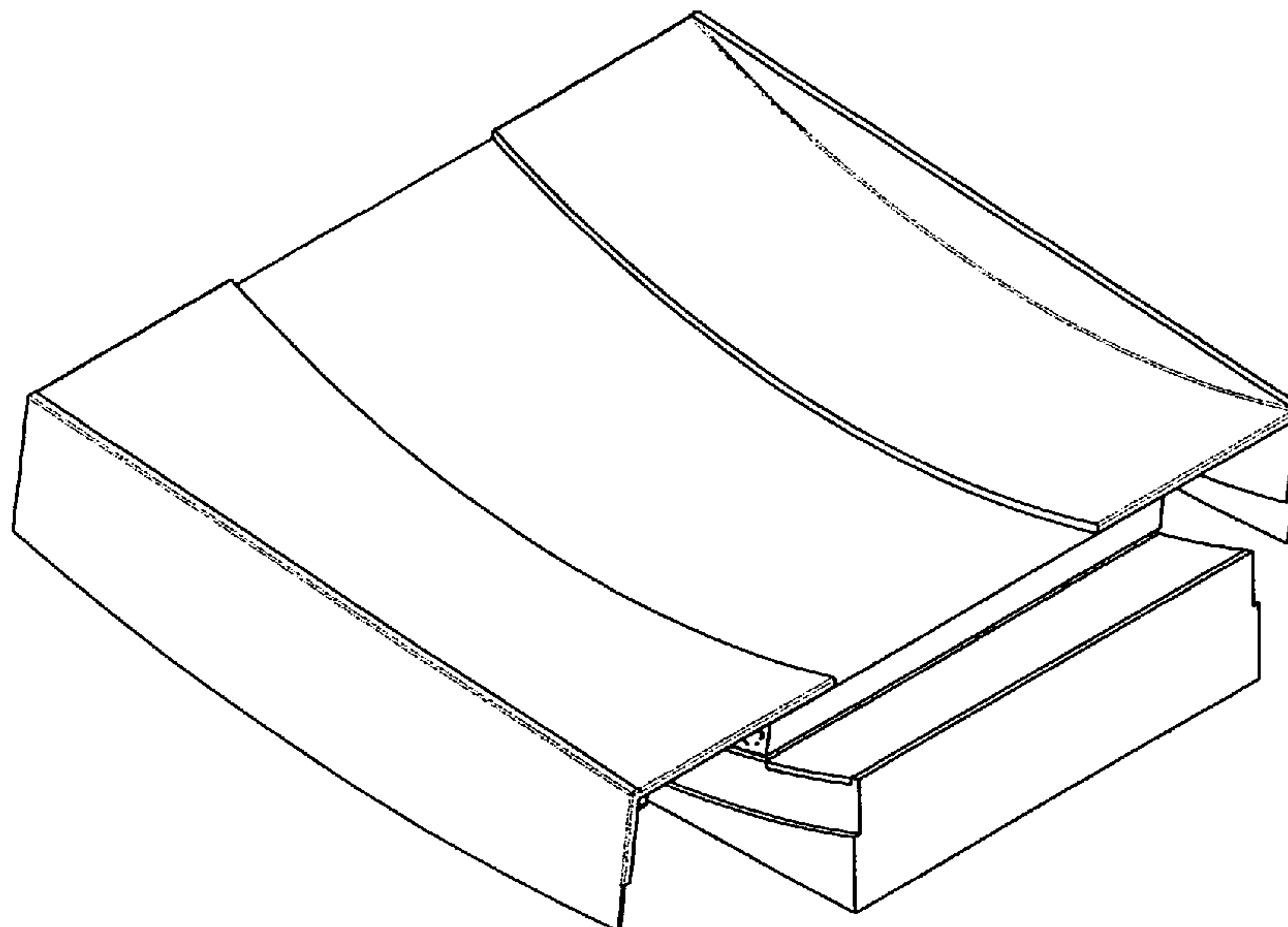
FIG. 6 is perspective view thereof, with the platform section extended;

FIG. 7 is a perspective view thereof, with the platform section extended and the platform shown in one extreme rocking position; and,

FIG. 8 is a perspective view thereof, with the platform section extended and the platform shown in the alternate extreme rocking position.

The present invention relates to the ornamental design for a rocking accessory which is used to automatically rock a typical molded plastic type infant carrier seat. The user would place an infant carrier seat upon the rocking accessory and the rocking accessory gently rocks the infant carrier seat back and forth.

1 Claim, 8 Drawing Sheets



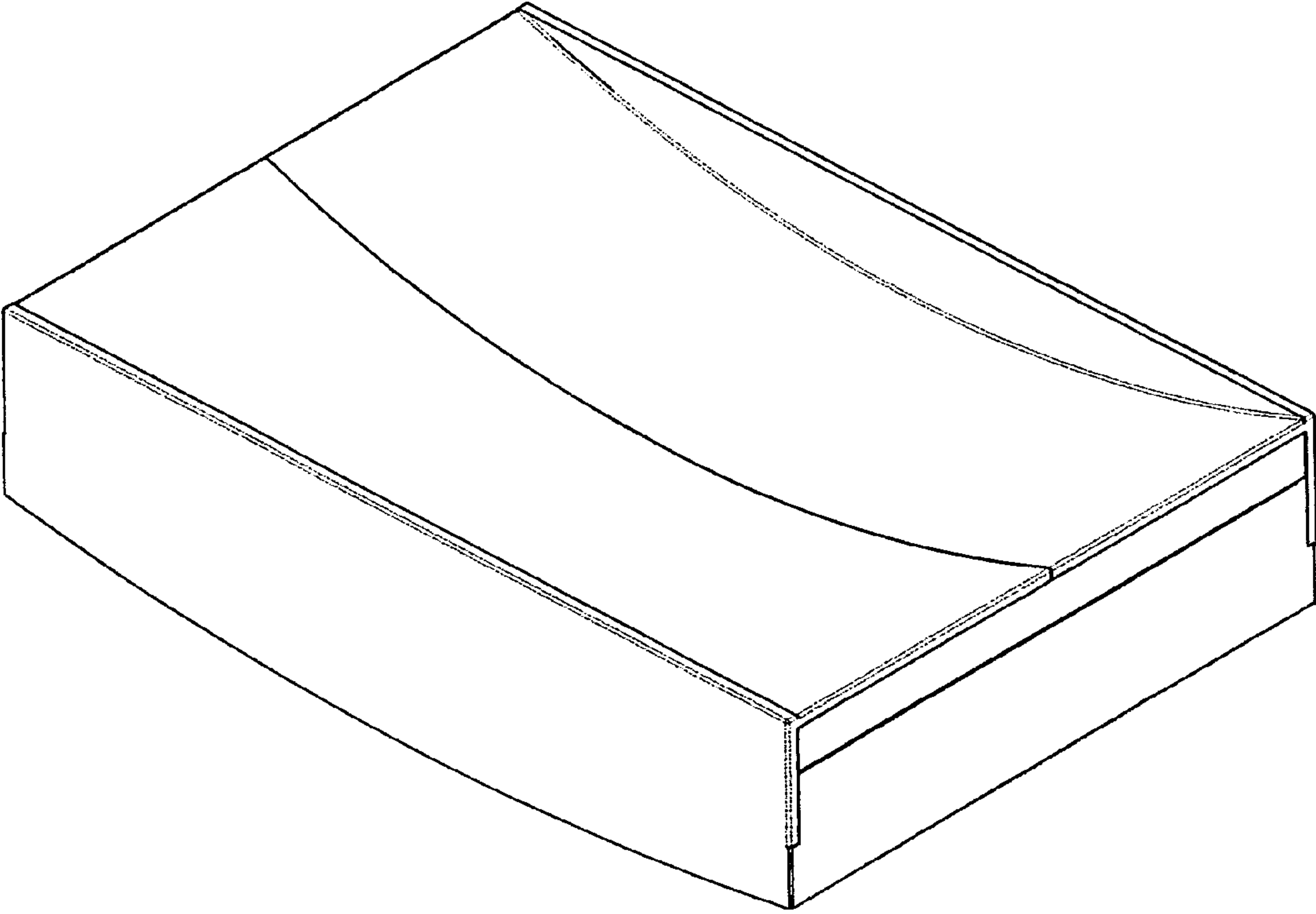


FIG. 1

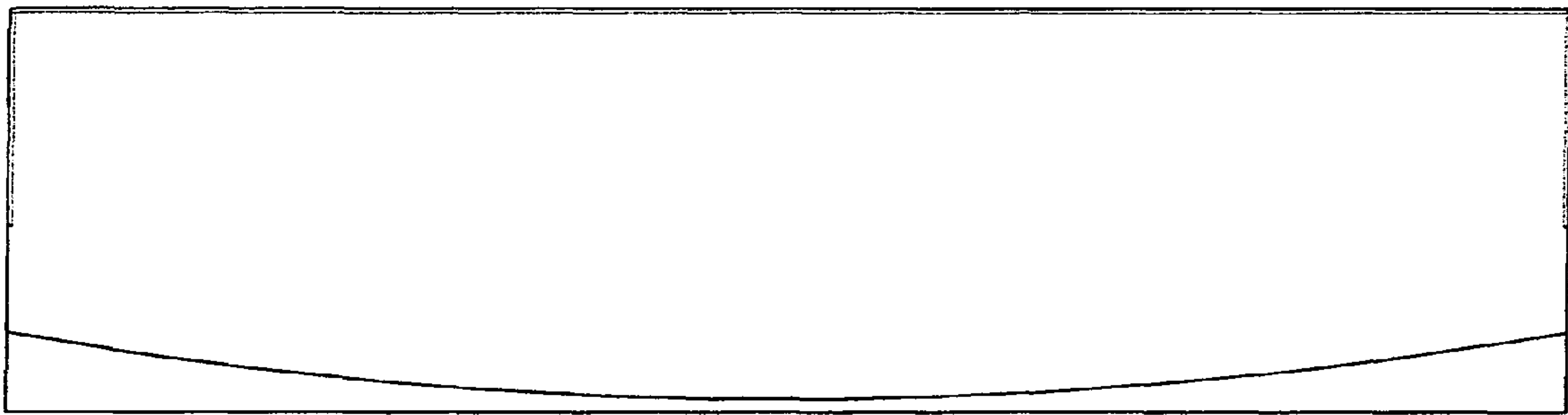


FIG. 2

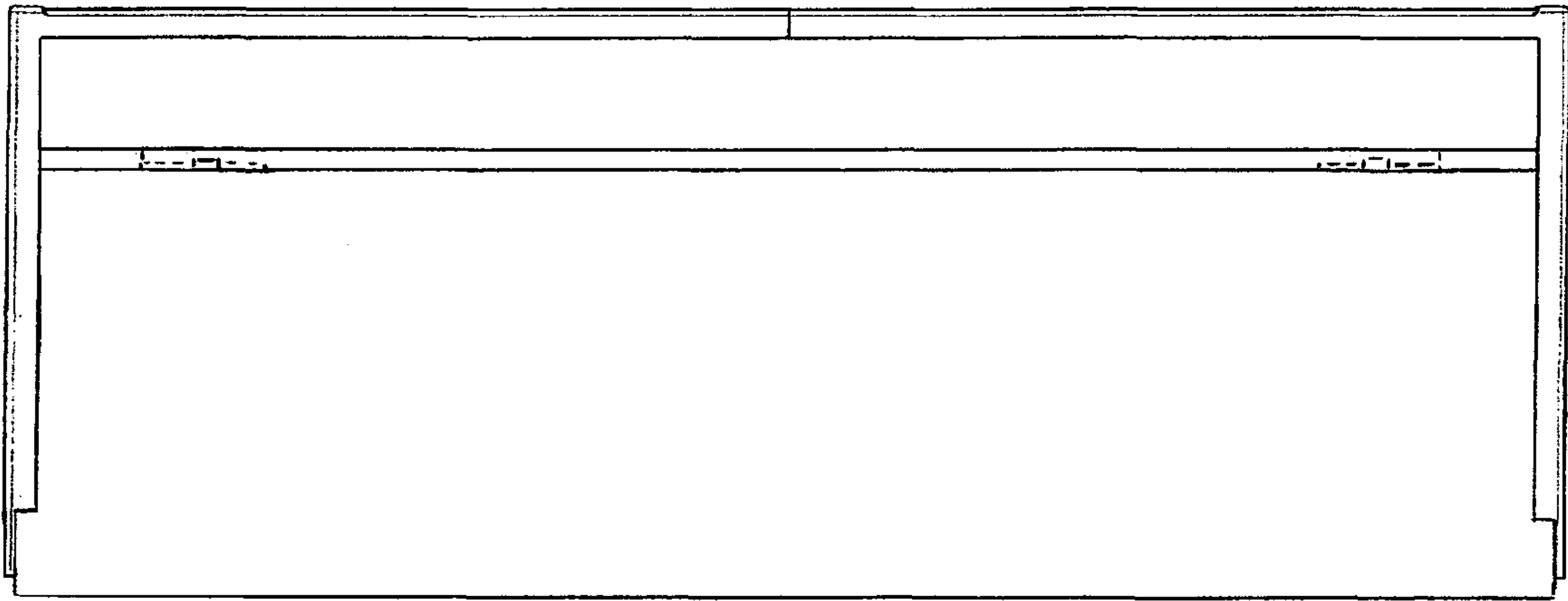


FIG. 3

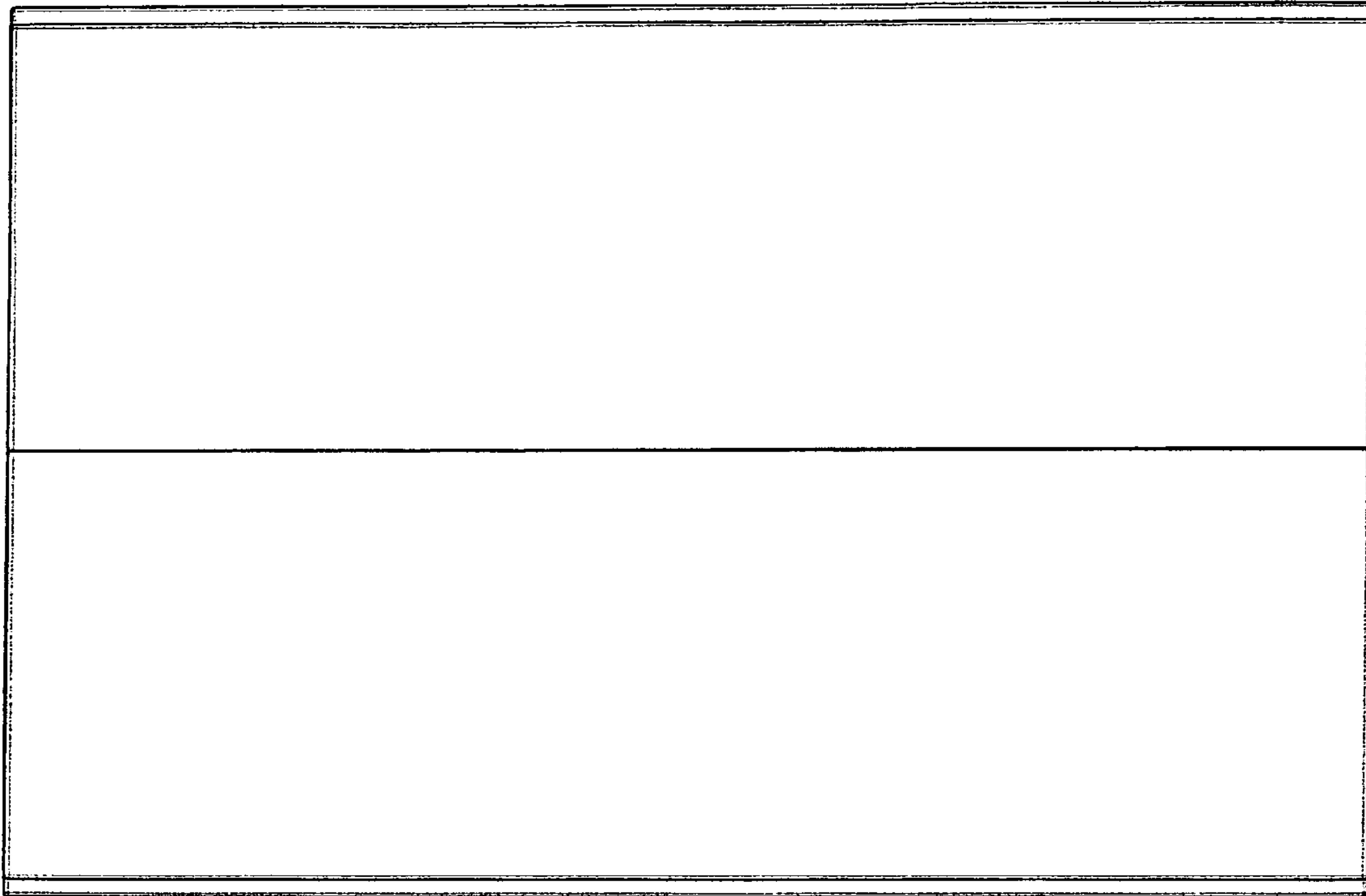


FIG. 4

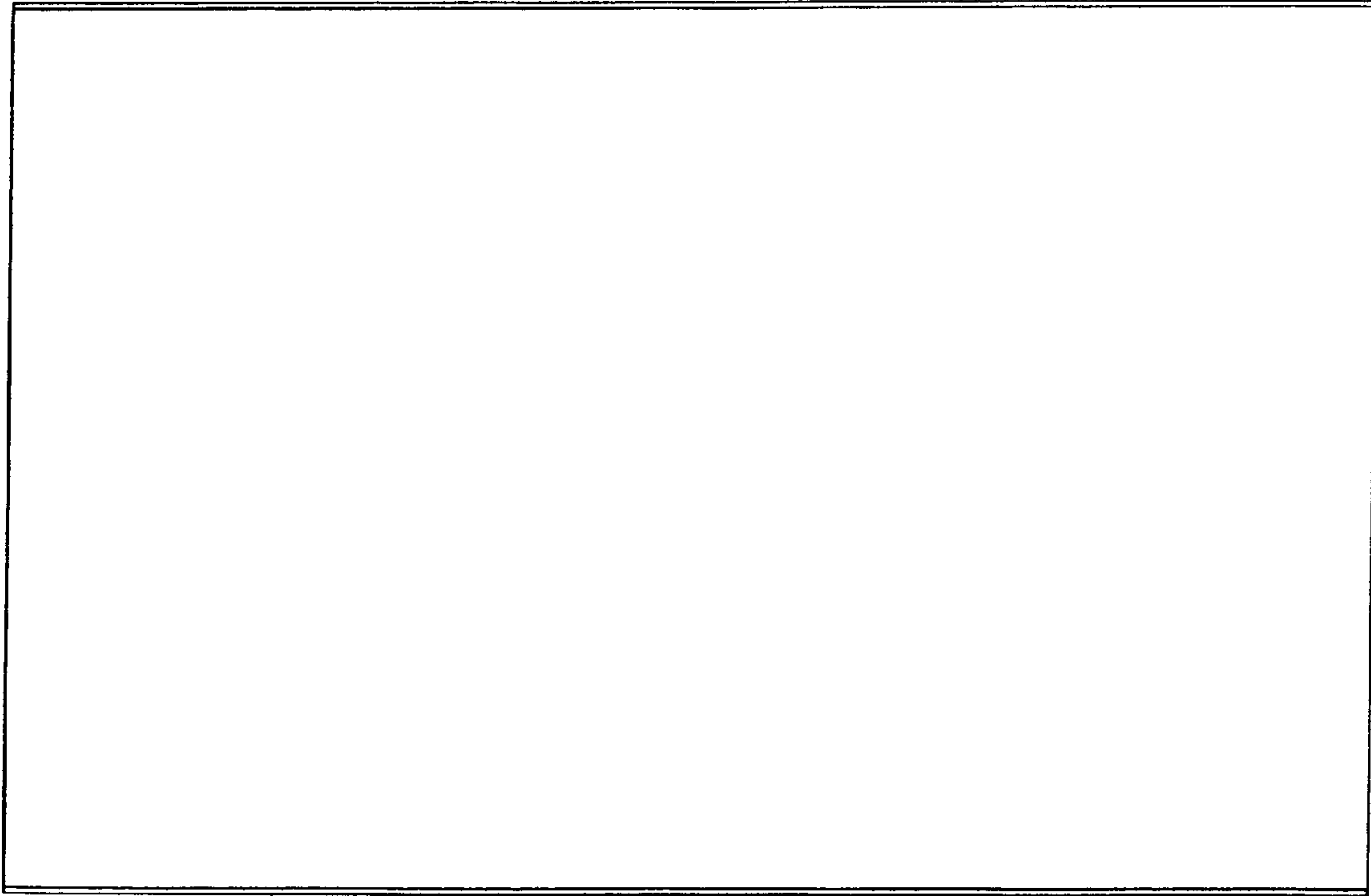


FIG. 5

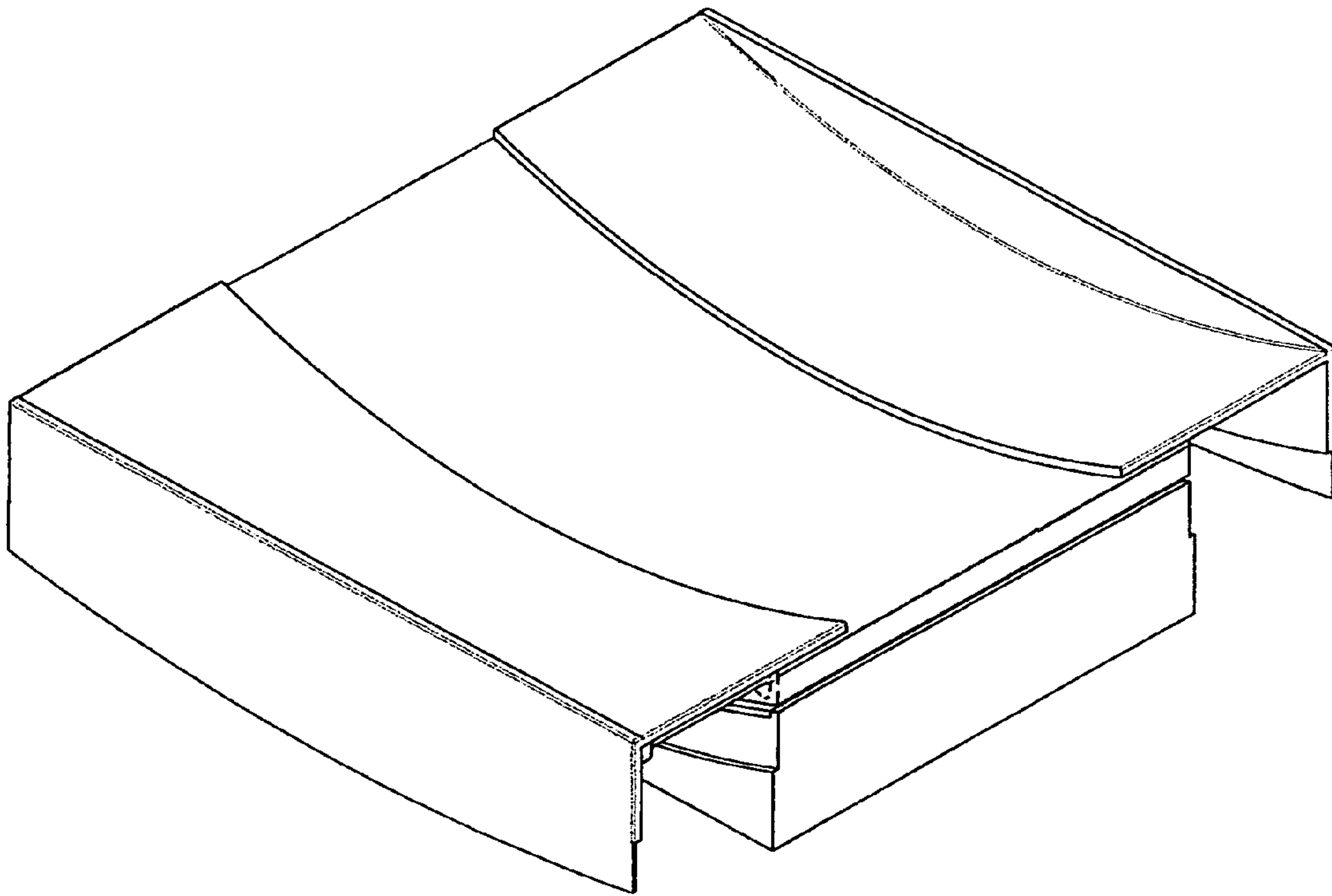


FIG. 6

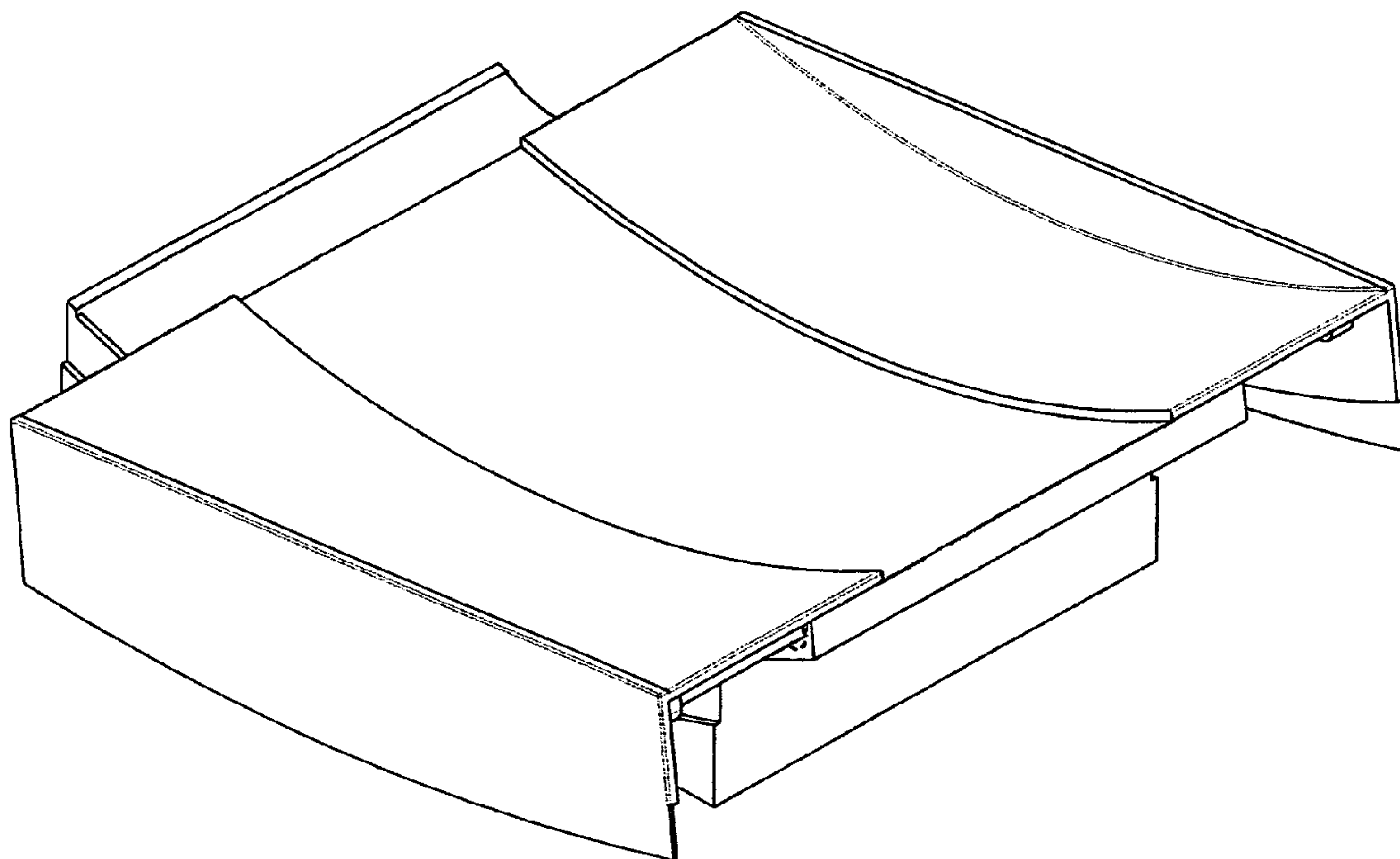


FIG. 7

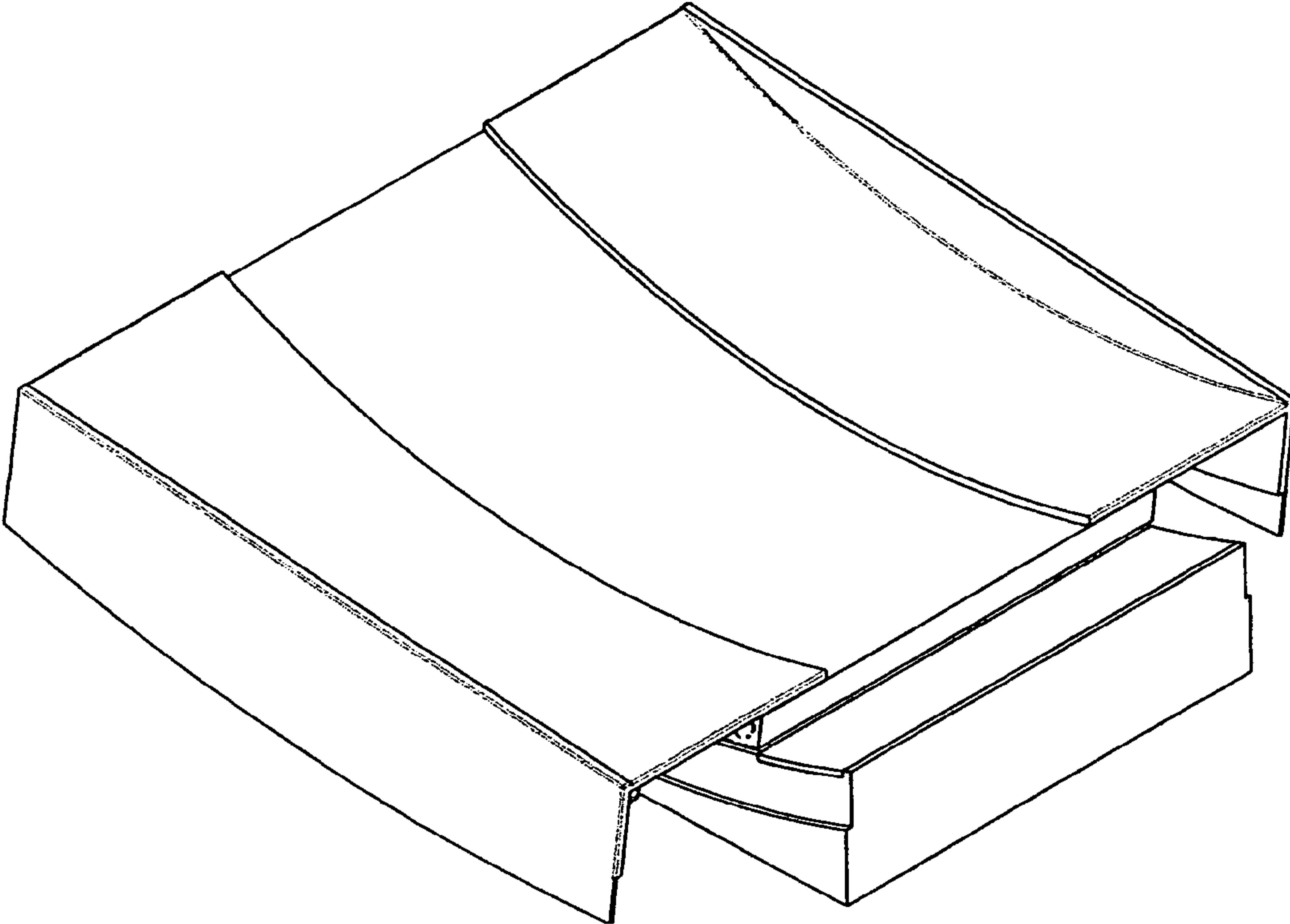


FIG. 8