



US00D618925S

(12) **United States Design Patent**
Fiore, Jr. et al.

(10) **Patent No.:** **US D618,925 S**
(45) **Date of Patent:** **** Jul. 6, 2010**

(54) **HIGH CHAIR WITH OPTIONAL SEAT**

(75) Inventors: **Joseph F. Fiore, Jr.**, Lebanon, PA (US);
Adam D. Bearup, Lakewood, CO (US)

(73) Assignee: **Wonderland Nurserygoods Co., Ltd.**
(TW)

(**) Term: **14 Years**

(21) Appl. No.: **29/335,324**

(22) Filed: **Apr. 14, 2009**

(51) **LOC (9) Cl.** **06-01**

(52) **U.S. Cl.** **D6/339**

(58) **Field of Classification Search** D6/333,
D6/335, 339, 491, 500-502; D12/129; D21/412,
D21/419; 280/30, 31; 5/94, 98.1, 99.1, 101,
5/102, 105, 655; 297/183.1, 183.2, 183.3,
297/183.4, 184.13, 184.15, 184.17, 250.1,
297/255, 256.1, 256.15, 256.16; 24/200,
24/211

See application file for complete search history.

(56) **References Cited**

U.S. PATENT DOCUMENTS

D278,482 S *	4/1985	Takada	D6/333
D328,196 S *	7/1992	Takahashi et al.	D6/339
D356,689 S *	3/1995	Mariol	D6/333
D365,449 S *	12/1995	Wood	D6/333
D386,911 S *	12/1997	Perego	D6/339
D426,965 S *	6/2000	Wu	D6/339
D428,715 S *	8/2000	Brevi	D6/339

D454,007 S *	3/2002	Huang	D6/339
D489,538 S *	5/2004	Shibata et al.	D6/333
D543,712 S *	6/2007	Cheng	D6/339
D550,971 S *	9/2007	McConnell	D6/333
D553,865 S *	10/2007	Buitendach	D6/333
D573,800 S *	7/2008	Backstrom et al.	D6/333
D575,538 S *	8/2008	Tomasi	D6/339
D579,673 S *	11/2008	Mancuso et al.	D6/339
D592,865 S *	5/2009	Yeung	D6/333
D594,667 S *	6/2009	Wang	D6/339
D600,027 S *	9/2009	Martin et al.	D6/333

* cited by examiner

Primary Examiner—Sandra Snapp

(74) *Attorney, Agent, or Firm*—Ostrolenk Faber LLP

(57) **CLAIM**

The ornamental design for a high chair with optional seat, as shown and described.

DESCRIPTION

FIG. 1 is a perspective view of high chair with optional seat showing our new design;

FIG. 2 is a front elevational view thereof;

FIG. 3 is a rear elevational view thereof;

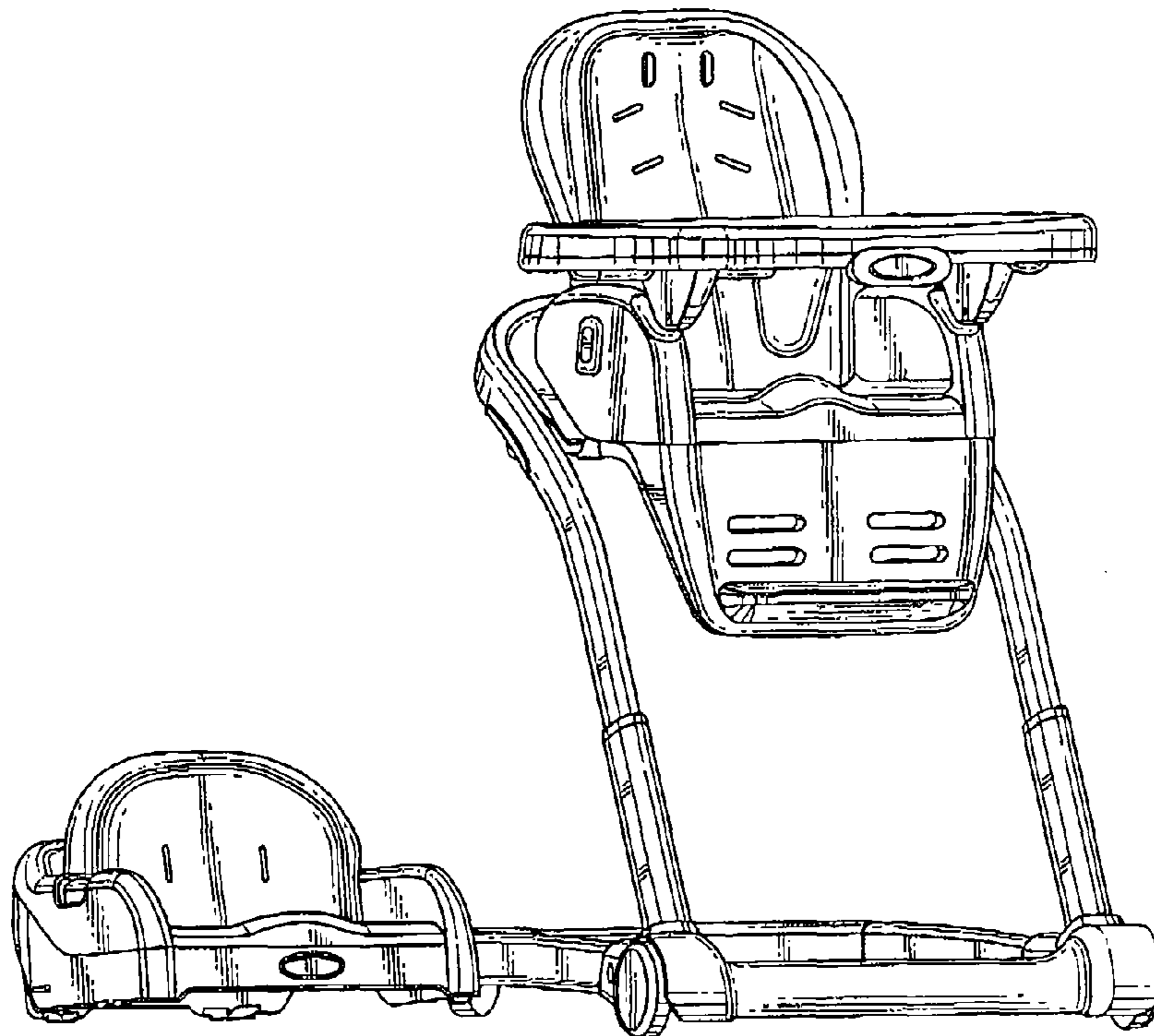
FIG. 4 is a left side elevational view thereof;

FIG. 5 is a right side elevational view thereof;

FIG. 6 is a top plan view thereof; and,

FIG. 7 is a bottom plan view thereof.

1 Claim, 7 Drawing Sheets



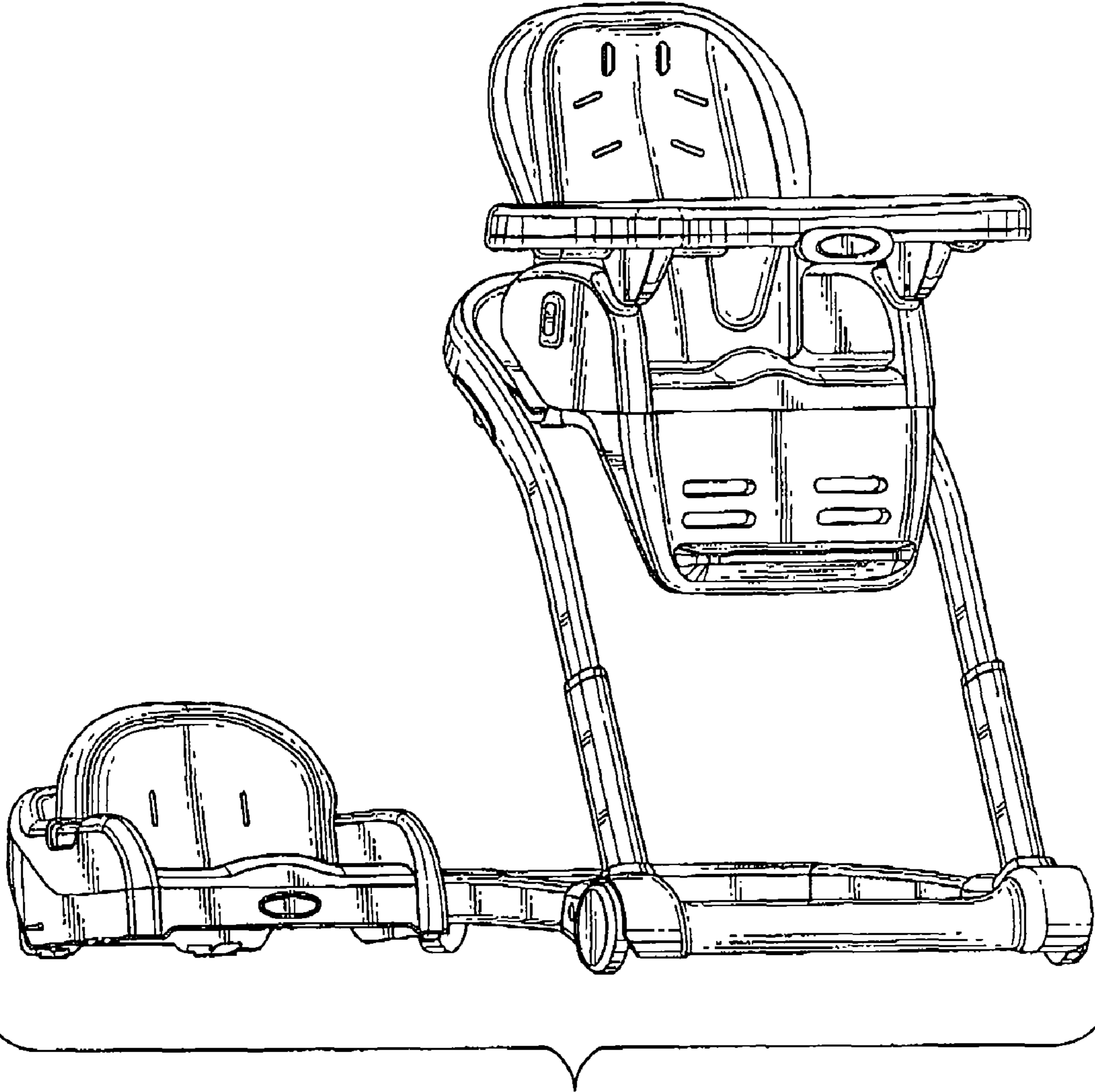


FIG. 1

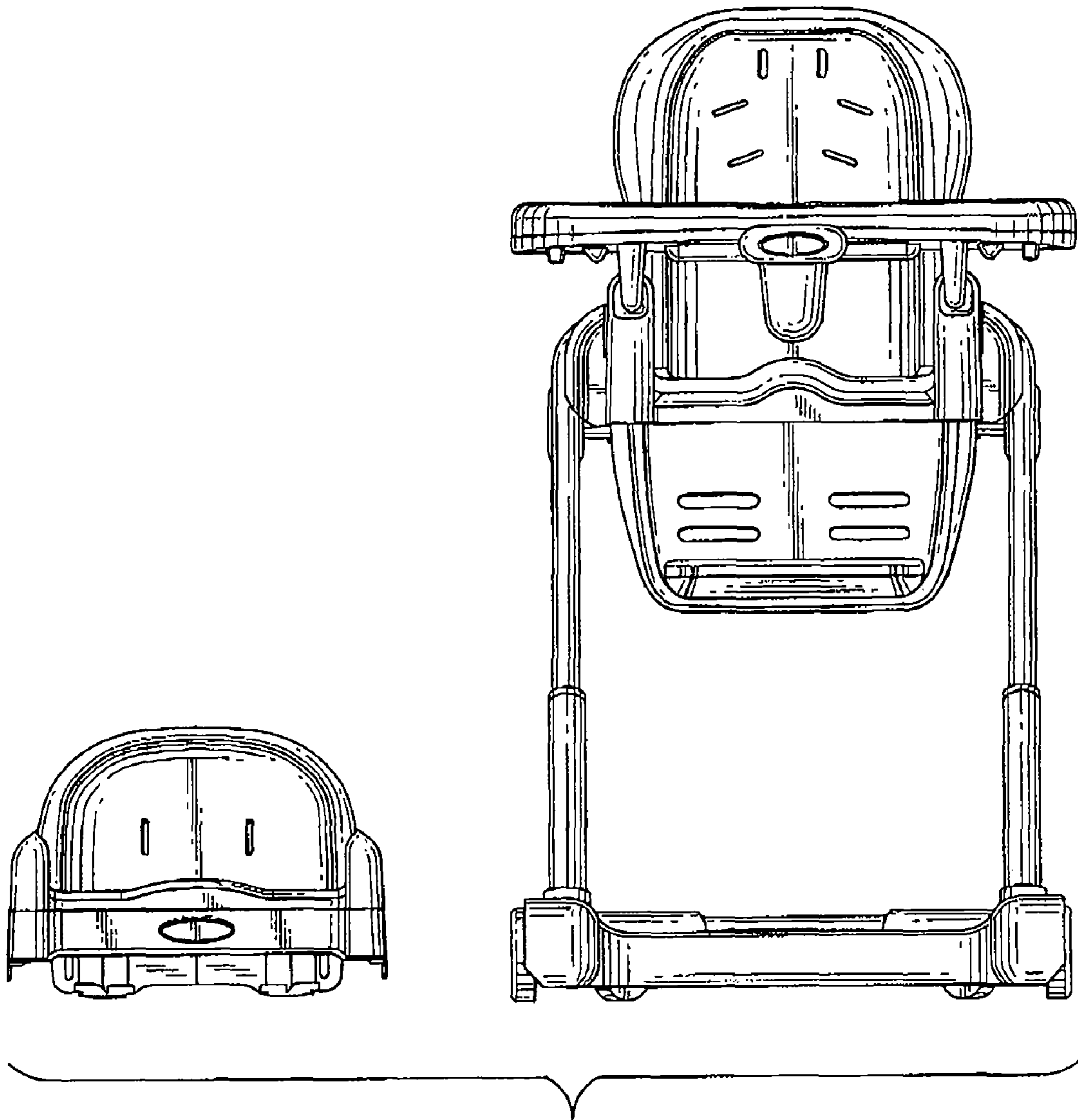


FIG. 2

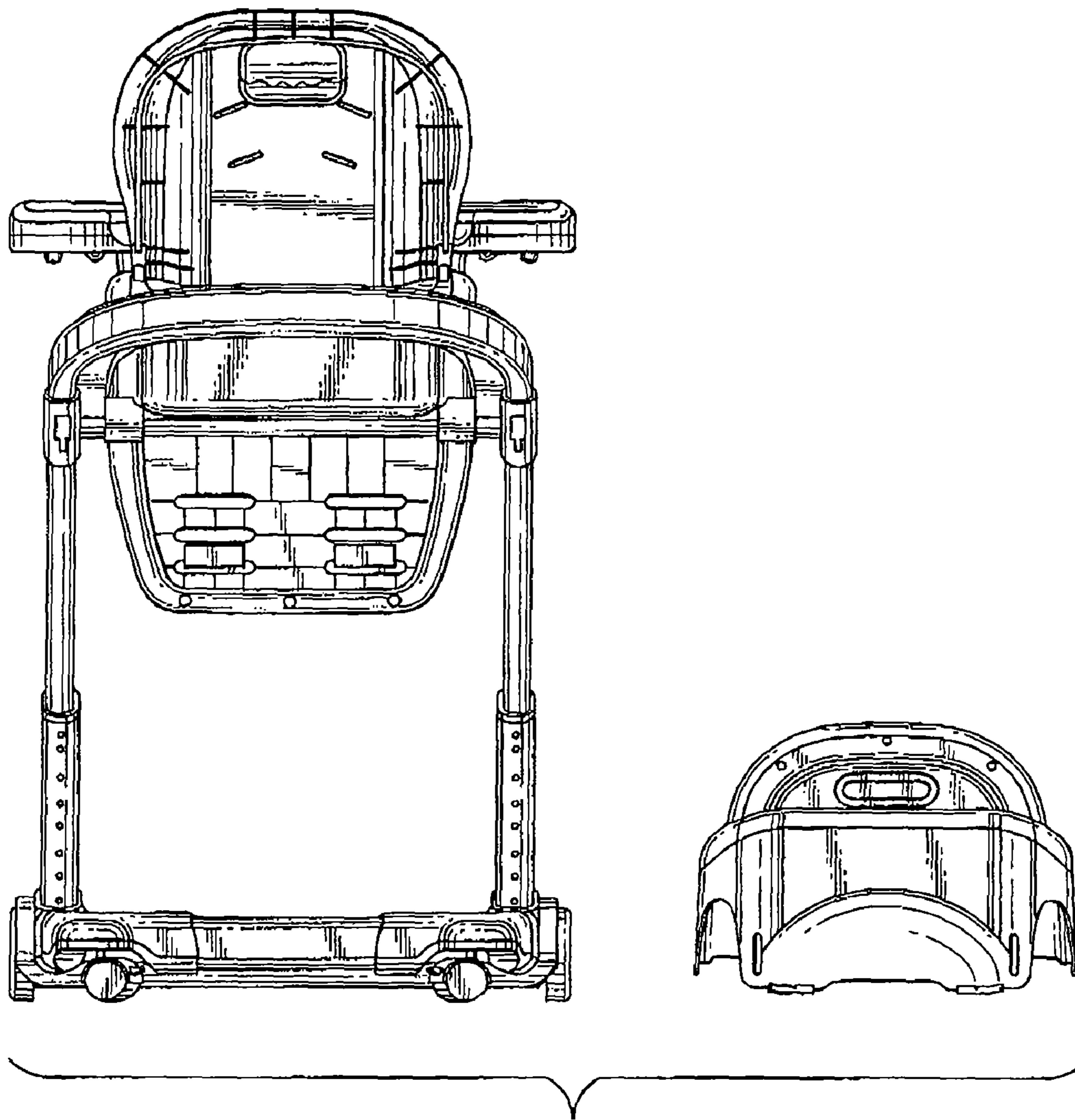


FIG. 3

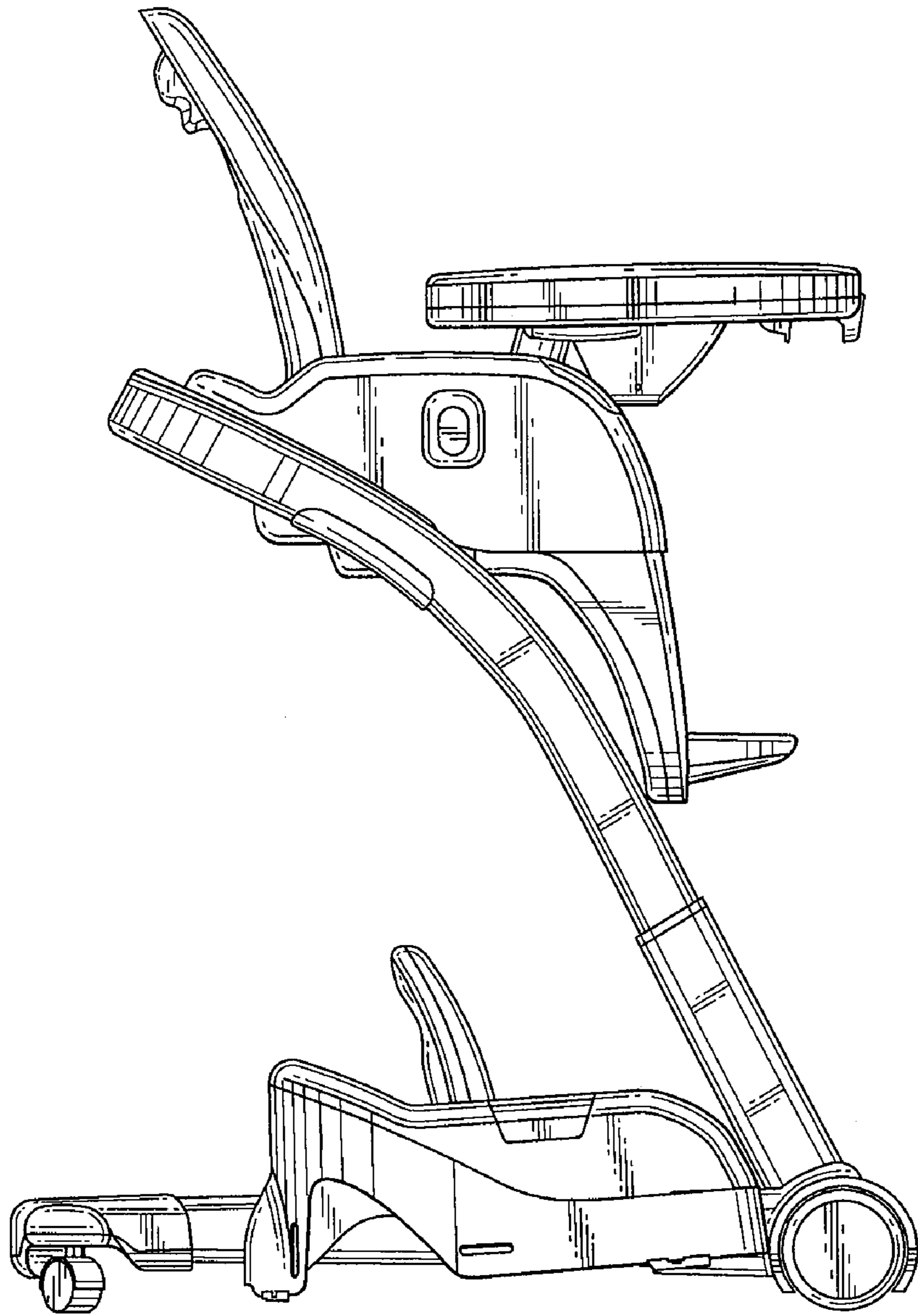


FIG. 4

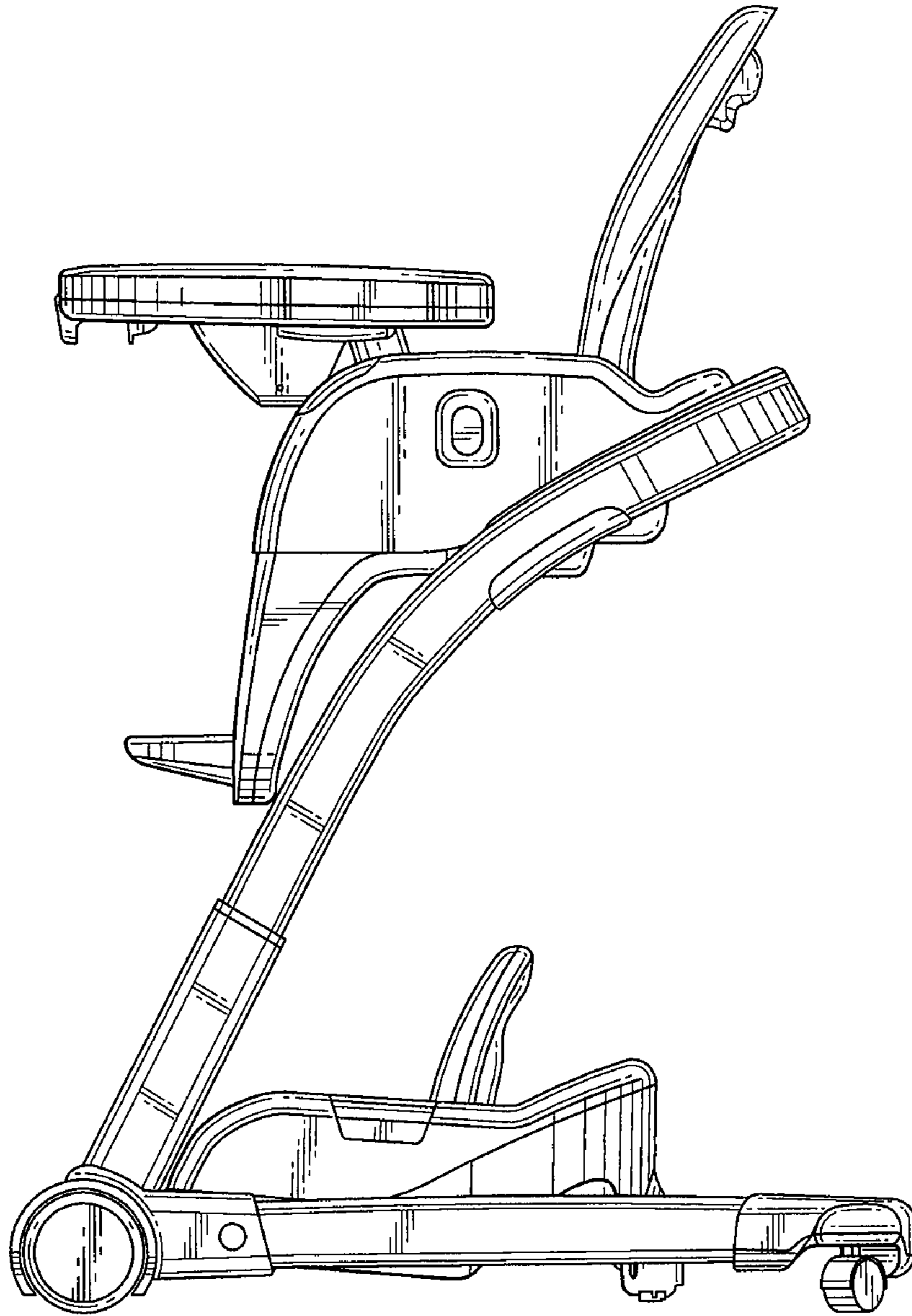


FIG. 5

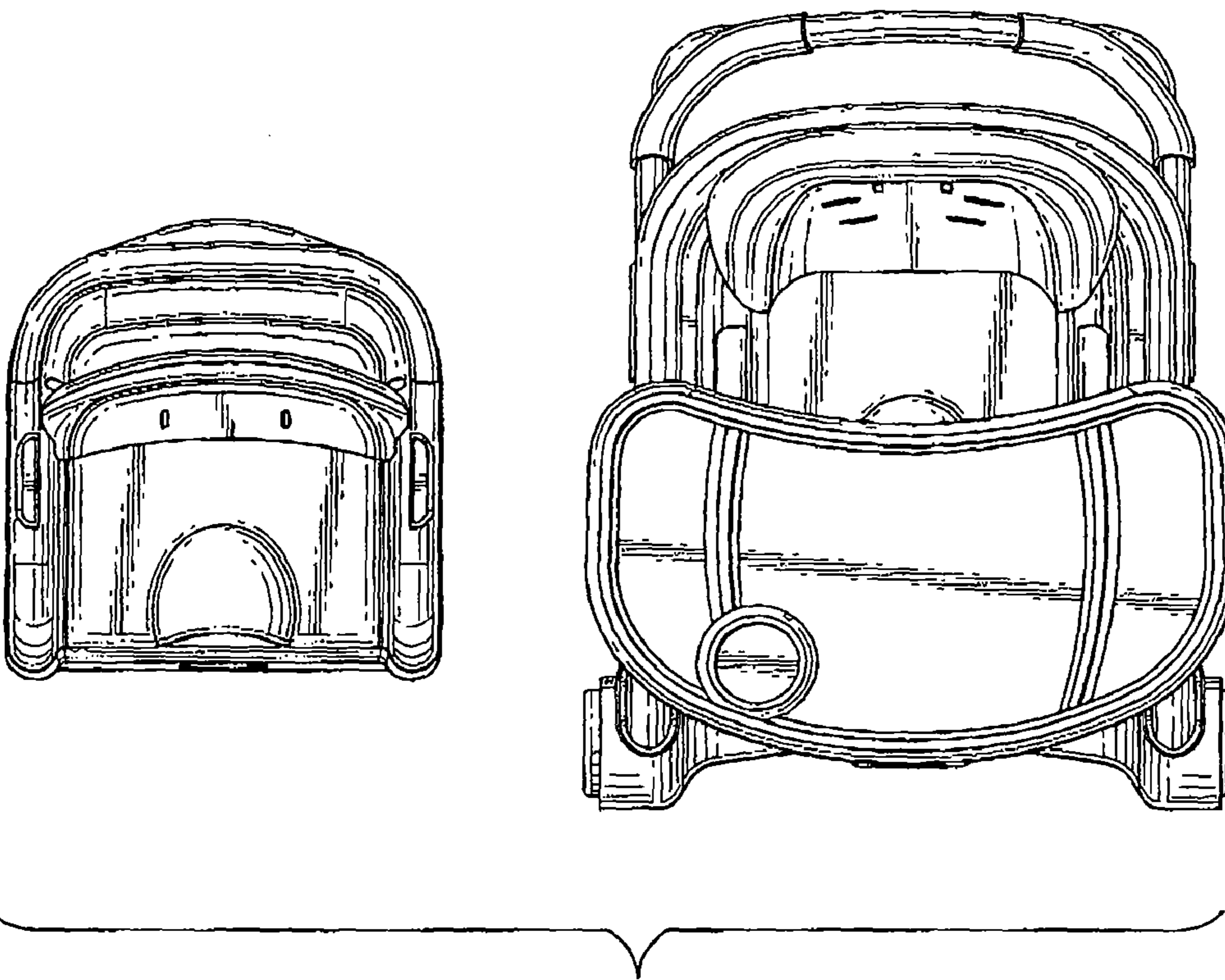


FIG. 6

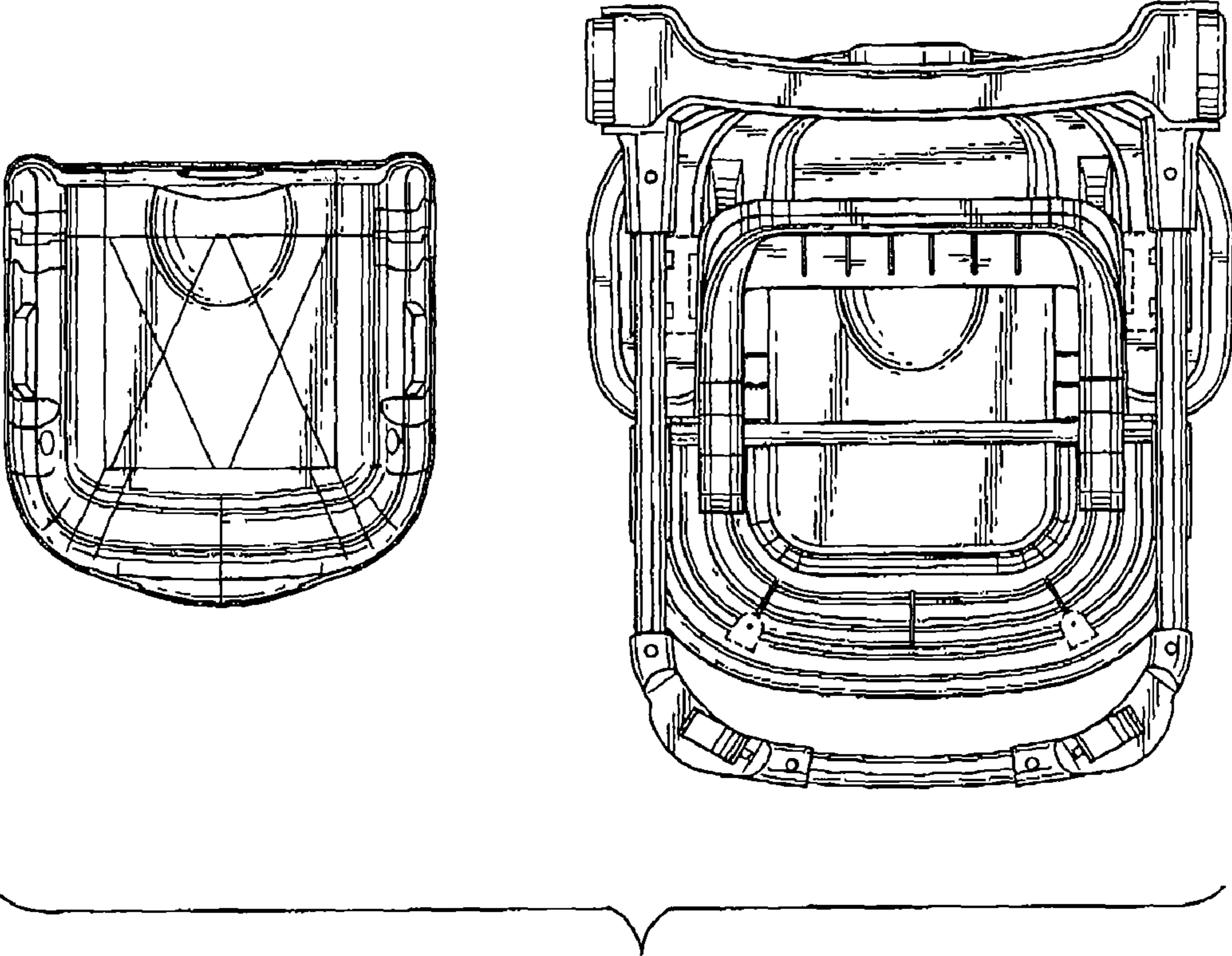


FIG. 7