



US00D618921S

(12) **United States Design Patent**
Hassel et al.

(10) **Patent No.:** **US D618,921 S**
(45) **Date of Patent:** **** Jul. 6, 2010**

(54) **GARMENT HANGER**

(75) Inventors: **Diane L. Hassel**, College Station, TX
(US); **Steven W. Hassel**, College Station,
TX (US)

(73) Assignee: **Clearbrisa LLC**, College Station, TX
(US)

(**) Term: **14 Years**

(21) Appl. No.: **29/341,990**

(22) Filed: **Aug. 17, 2009**

(51) **LOC (9) Cl.** **06-08**

(52) **U.S. Cl.** **D6/319**

(58) **Field of Classification Search** D6/315,
D6/317, 319; 211/1, 13.1, 85.3; 223/85-98
See application file for complete search history.

(56) **References Cited**

U.S. PATENT DOCUMENTS

1,693,871	A	12/1928	Schneider	
D140,337	S	2/1945	Hill	
2,554,825	A	5/1951	Grimberg	
3,116,860	A	1/1964	Urich	
3,738,549	A	6/1973	Driscoll	
4,673,114	A	6/1987	Douglas	
D318,573	S *	7/1991	Abdi	D6/317
D340,137	S *	10/1993	Tocci	D6/317
D408,156	S *	4/1999	Eiley et al.	D6/317
D411,373	S	6/1999	McKinney	

D411,374	S *	6/1999	Kilian et al.	D6/317
D419,310	S	1/2000	Abdi	
D498,933	S *	11/2004	Abdi	D6/317
D502,006	S *	2/2005	Abdi	D6/317
D541,056	S *	4/2007	Magwood	D6/315
2009/0078727	A1	3/2009	Hassel et al.	

* cited by examiner

Primary Examiner—Shanda C Hill

(74) *Attorney, Agent, or Firm*—Locke Lord Bissell & Liddell
LLP

(57) **CLAIM**

The ornamental design for a garment hanger, as shown and described.

DESCRIPTION

FIG. 1 is an isometric view of a garment hanger showing our new design;

FIG. 2 is a front elevational view thereof;

FIG. 3 is a back elevational view thereof;

FIG. 4 is a side view thereof;

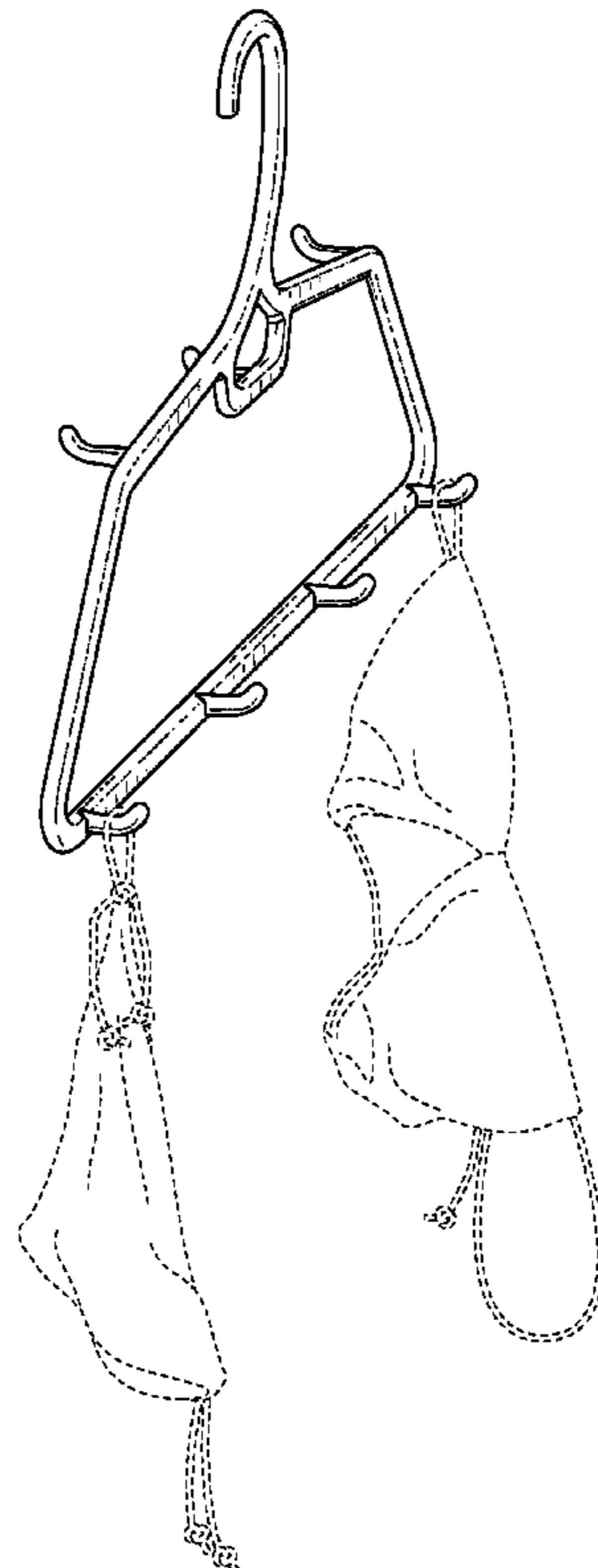
FIG. 5 is an opposite side view thereof;

FIG. 6 is a top plan view thereof; and,

FIG. 7 is a bottom plan view thereof.

The broken lines shown in the drawing disclosure are for illustrative purposes only and form no part of the claimed design.

1 Claim, 5 Drawing Sheets



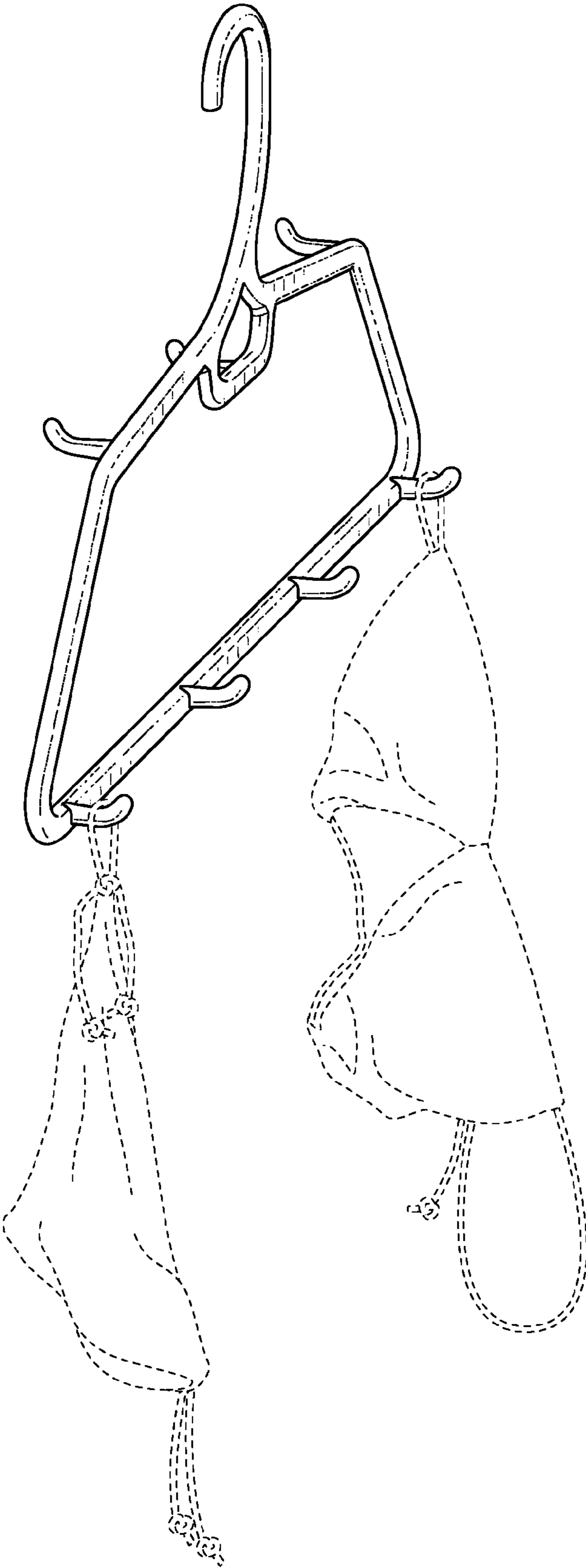


FIG. 1

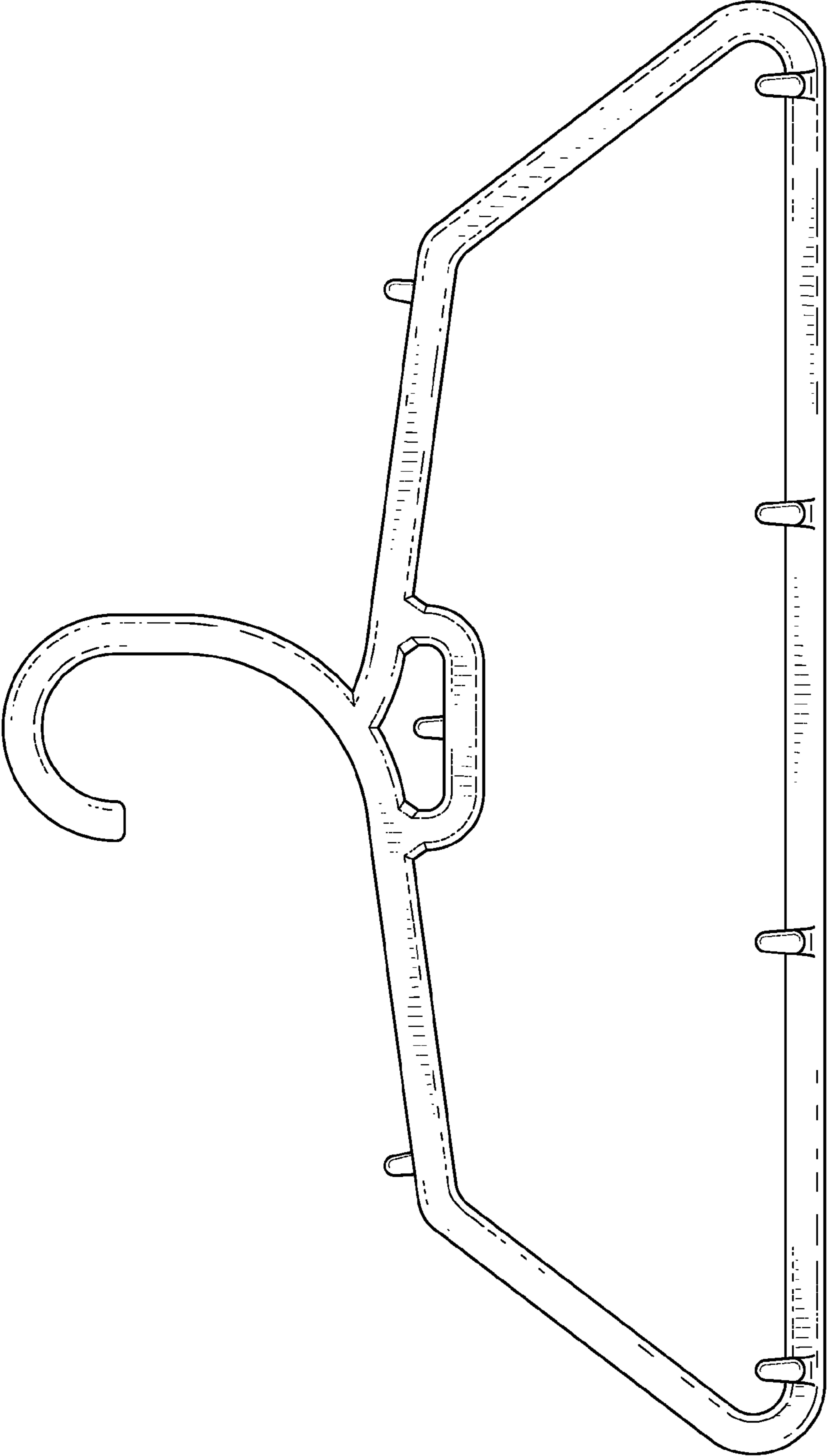


FIG. 2

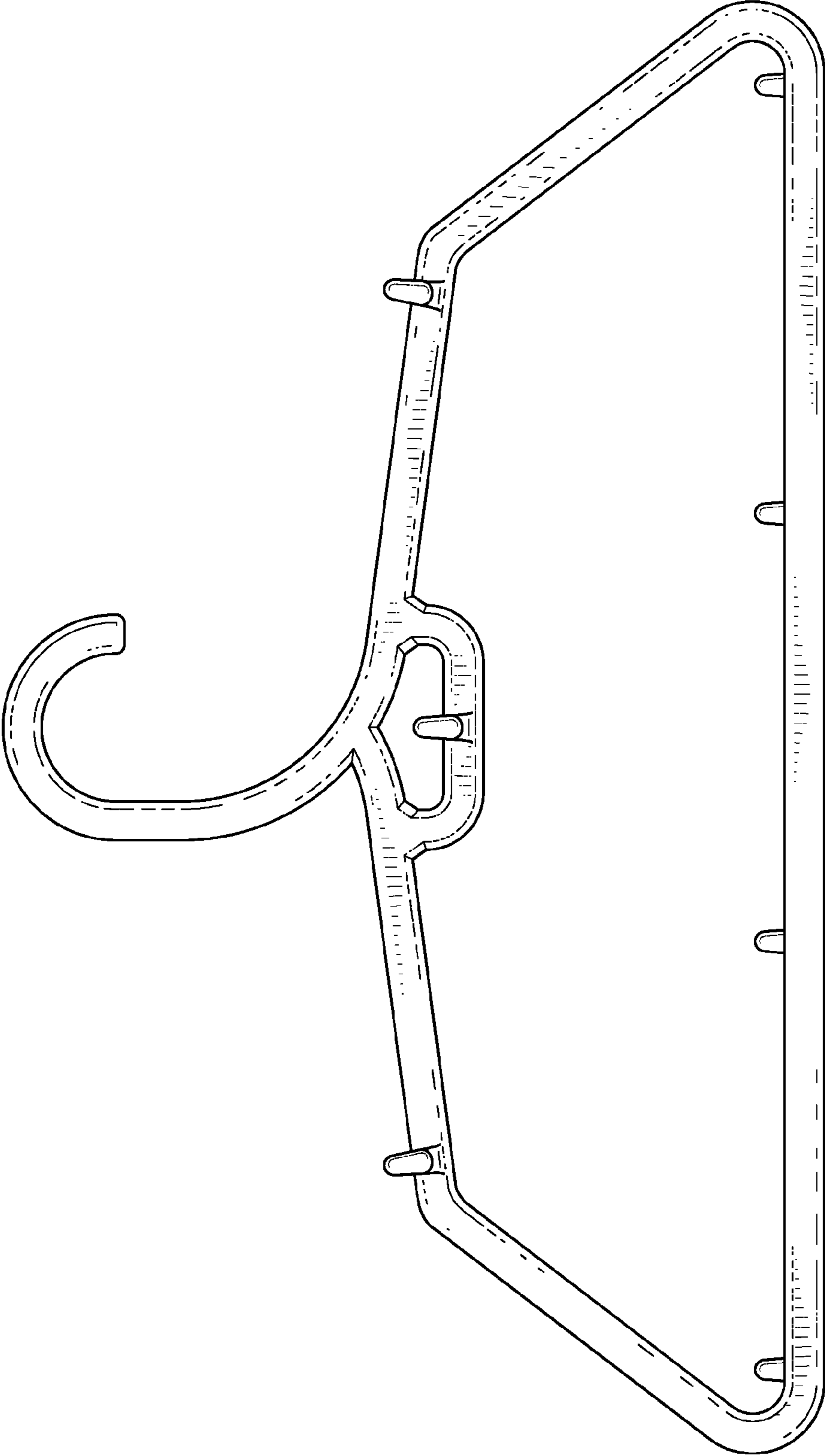


FIG. 3

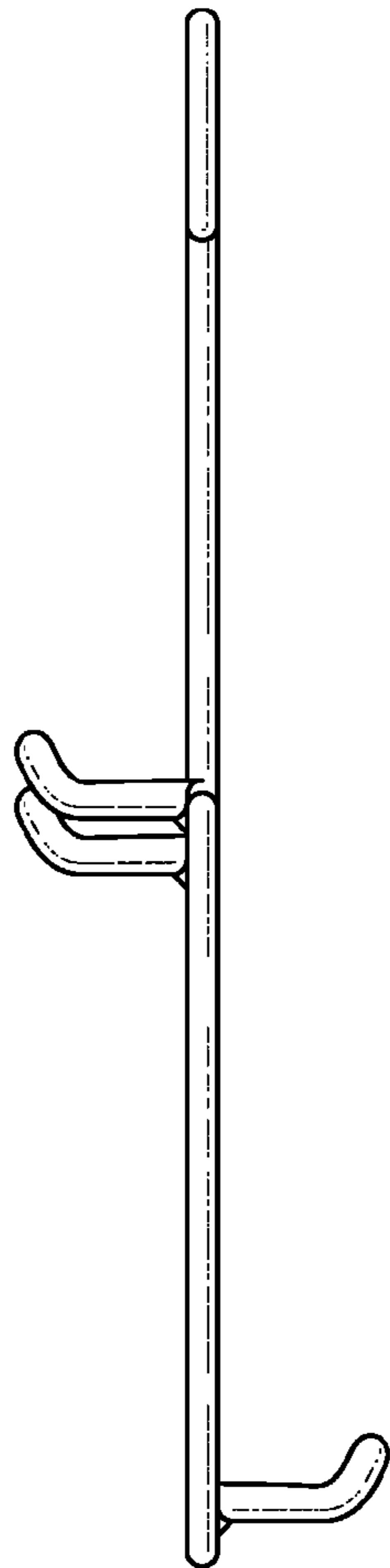


FIG. 4

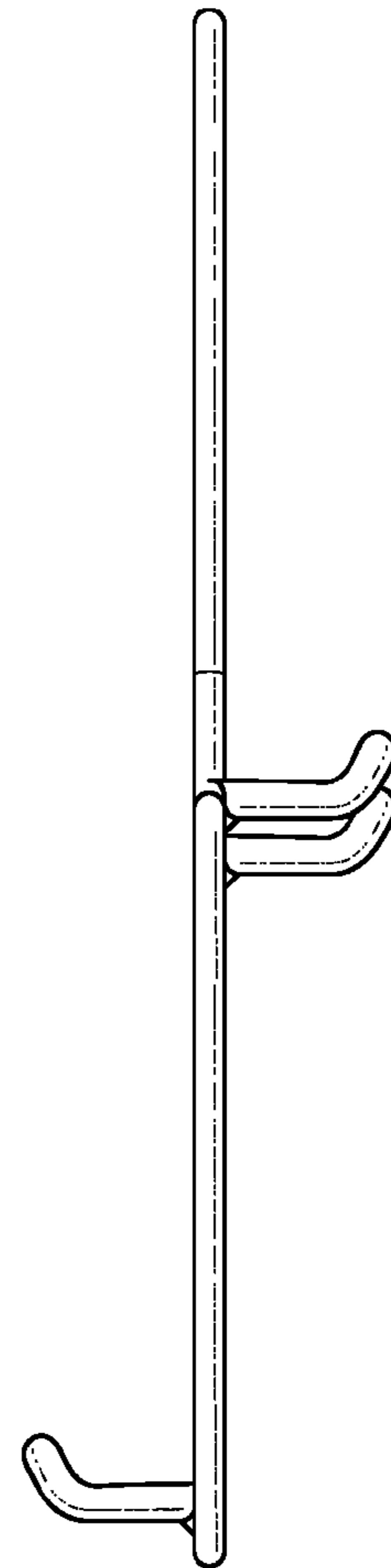


FIG. 5

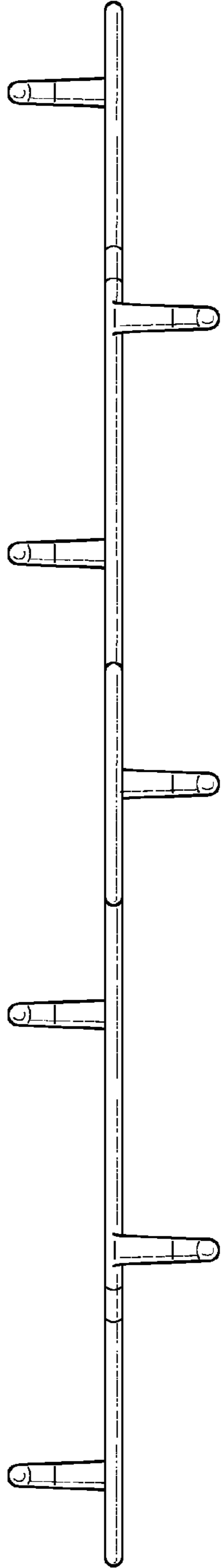


FIG. 6

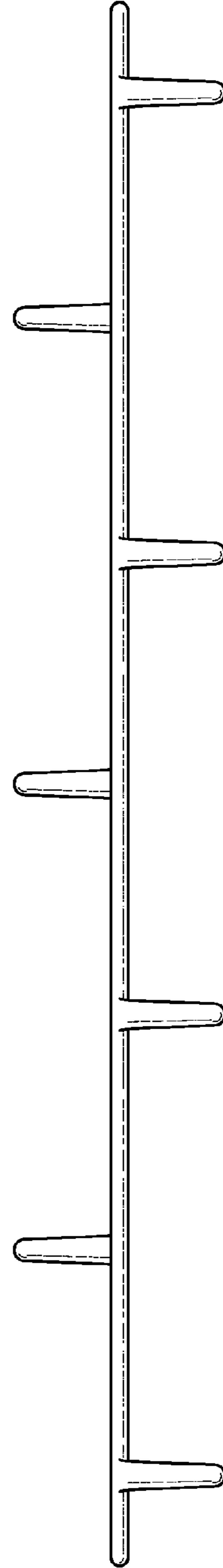


FIG. 7