



US00D618912S

(12) **United States Design Patent**
Ruff, Jr.

(10) **Patent No.:** **US D618,912 S**
(45) **Date of Patent:** **** Jul. 6, 2010**

(54) **STORAGE CONTAINER FRONT PANEL**

(76) Inventor: **Edward C. Ruff, Jr.**, 1411 NW. 84th
Ter., Pembroke Pines, FL (US) 33024

(**) Term: **14 Years**

(21) Appl. No.: **29/268,079**

(22) Filed: **Oct. 28, 2006**

(51) **LOC (9) Cl.** **03-01**

(52) **U.S. Cl.** **D3/318**

(58) **Field of Classification Search** D3/201,
D3/304, 307-308, 310, 312-315, 318-319,
D3/321, 323, 326, 328, 901, 905, 294, 302,
D3/272-273; D7/601; 206/204, 386, 510,
206/518, 550, 557, 561, 574, 372-373; D12/317,
D12/423, 415, 418; D6/524-525, 509-510,
D6/581, 492; 220/500, 553; D9/420-425,
D9/430, 432; 312/328, 245, 319.2, 323

See application file for complete search history.

(56) **References Cited**

U.S. PATENT DOCUMENTS

3,653,734 A * 4/1972 Ungaro 312/107
3,771,847 A * 11/1973 Aylworth 312/245

(Continued)

OTHER PUBLICATIONS

<http://www.dockboxdepot.com/products/> pp. 1-4.

Primary Examiner—T. Chase Nelson

Assistant Examiner—Kathleen M Sims

(74) *Attorney, Agent, or Firm*—Daniel C. Crilly;
GrayRobinson, P.A.

(57) **CLAIM**

The ornamental design for a storage container front panel, as shown and described.

DESCRIPTION

FIG. 1 is a front, right perspective view of my ornamental design for a storage container front panel with the front panel in a closed position, showing my new design;

FIG. 2 is a front elevational view thereof;

FIG. 3 is a rear elevational view thereof taken along the line 3—3 of FIG. 1;

FIG. 4 is a cross-sectional view thereof taken along the line 4—4 of FIG. 1;

FIG. 5 is a front, right perspective view thereof with the front panel in an open position;

FIG. 6 is a front elevational view thereof with the front panel in an open position;

FIG. 7 is a rear elevational view thereof, taken along the line 7—7 of FIG. 5, with the front panel in an open position;

FIG. 8 is a right side elevational view thereof with the front panel in an open position;

FIG. 9 is a left side elevational view thereof with the front panel in an open position;

FIG. 10 is a top plan view thereof with the front panel in an open position;

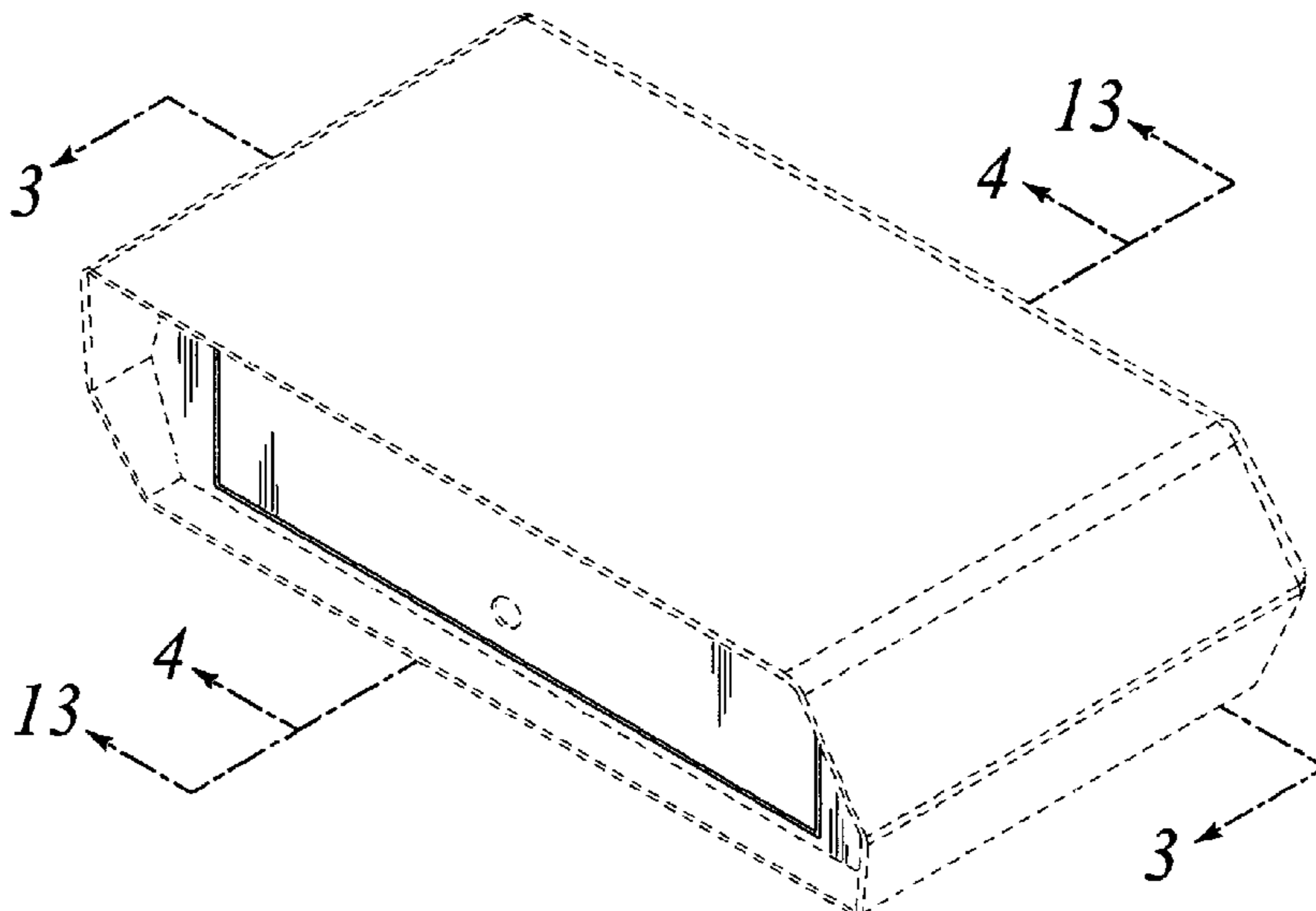
FIG. 11 is a bottom plan view thereof with the front panel in an open position;

FIG. 12 is a cross-sectional view thereof taken along the line 12—12 of FIG. 5; and,

FIG. 13 is a cross-sectional view thereof, taken along the line 13—13 of FIG. 1, with the front panel in a closed position and illustrating the front panel in an alternative, unclaimed cabinet environment.

The broken lines shown in FIGS. 1-3 and 5-7 adjacent the shaded areas of the storage container front panel represent exemplary bounds of the claimed design and form no part thereof, while all other broken lines showing a cabinet and hardware in FIGS. 1-13 are included for purposes of illustrating an environment of the storage container front panel and form no part of the claimed design.

1 Claim, 9 Drawing Sheets



US D618,912 S

Page 2

U.S. PATENT DOCUMENTS

D239,750	S	*	5/1976	Sgombick	D6/446	6,227,635	B1	*	5/2001	Teppo et al.	312/328
D249,670	S	*	9/1978	VanderWaal	D12/423	6,471,312	B1	*	10/2002	Coffey et al.	312/328
4,236,560	A	*	12/1980	Reischauer	150/119	D495,136	S	*	8/2004	Greene	D3/273
D310,304	S	*	9/1990	Carmichael	D12/423	6,863,358	B2	*	3/2005	Beyer et al.	312/323
5,222,790	A	*	6/1993	Latino	312/315	D515,813	S	*	2/2006	Roberson	D3/319
5,524,979	A	*	6/1996	Carson et al.	312/319.2	7,028,859	B2	*	4/2006	Moon et al.	220/4.28
D399,654	S	*	10/1998	Mandell	D3/294	D536,245	S	*	2/2007	Bruun	D9/432
D411,767	S	*	7/1999	Keller	D3/273	D565,842	S	*	4/2008	Falcone	D3/294
D413,017	S	*	8/1999	Masoud	D3/247	D580,653	S	*	11/2008	Robaina	D3/272
6,007,171	A	*	12/1999	Varellas-Olree	312/323	D587,452	S	*	3/2009	Bisson	D3/272

* cited by examiner

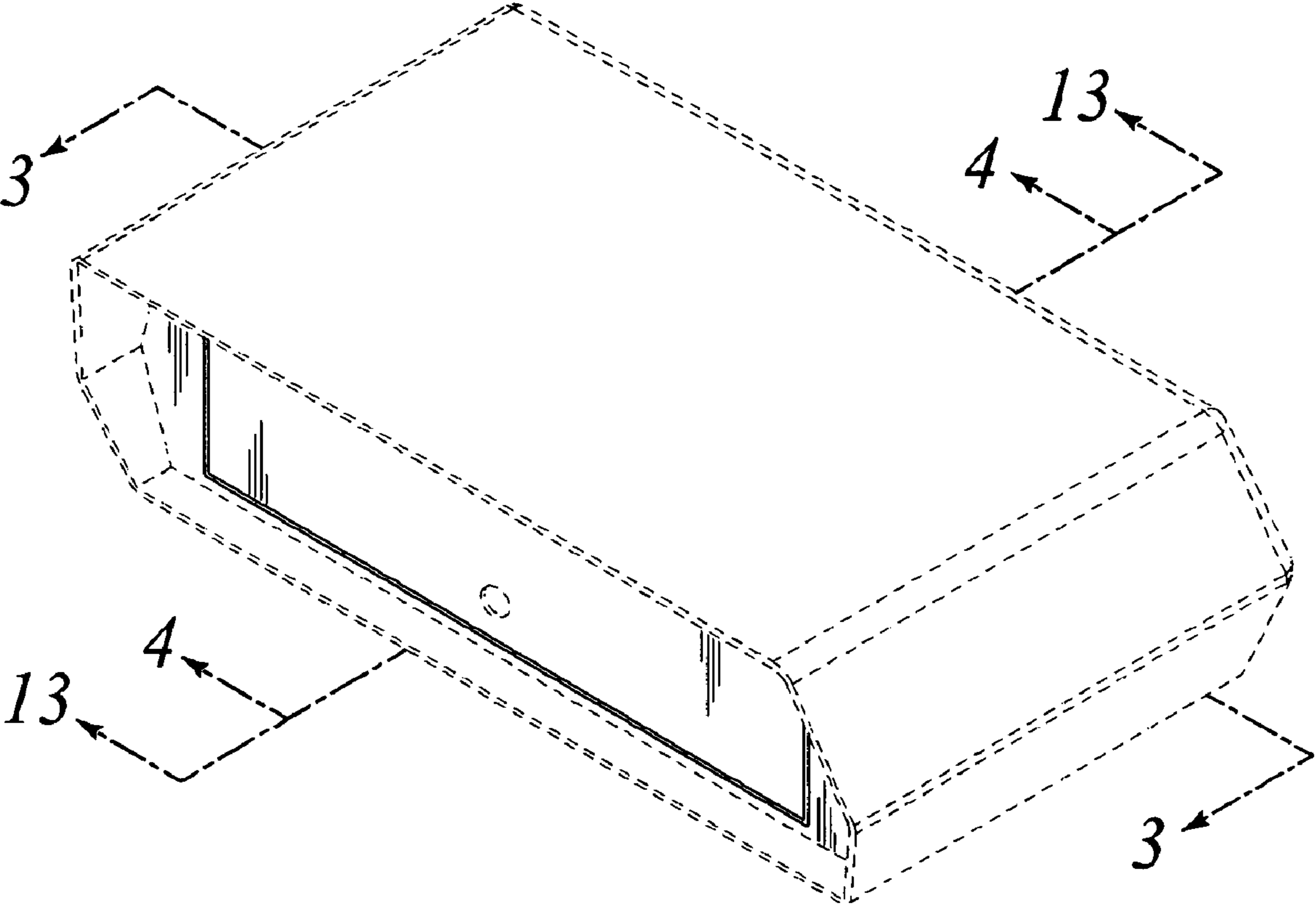


FIG. 1

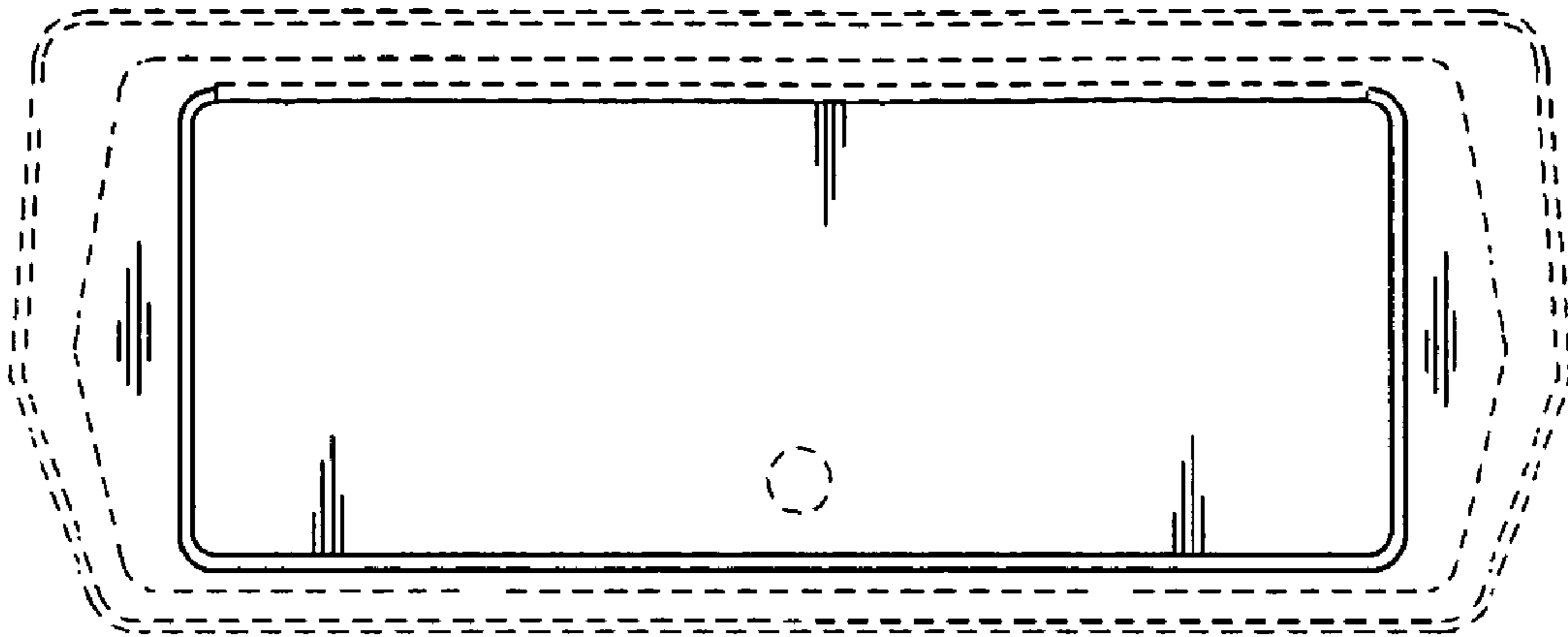


FIG. 2

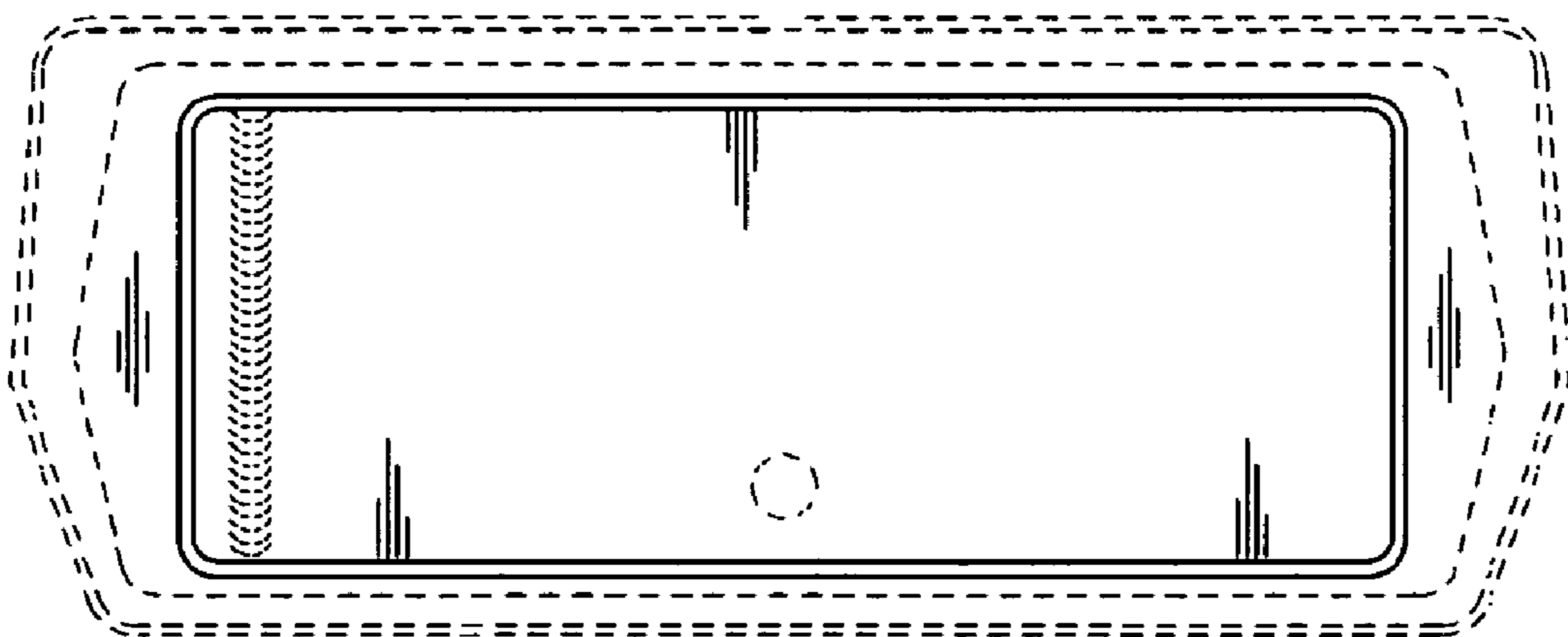


FIG. 3



FIG. 4

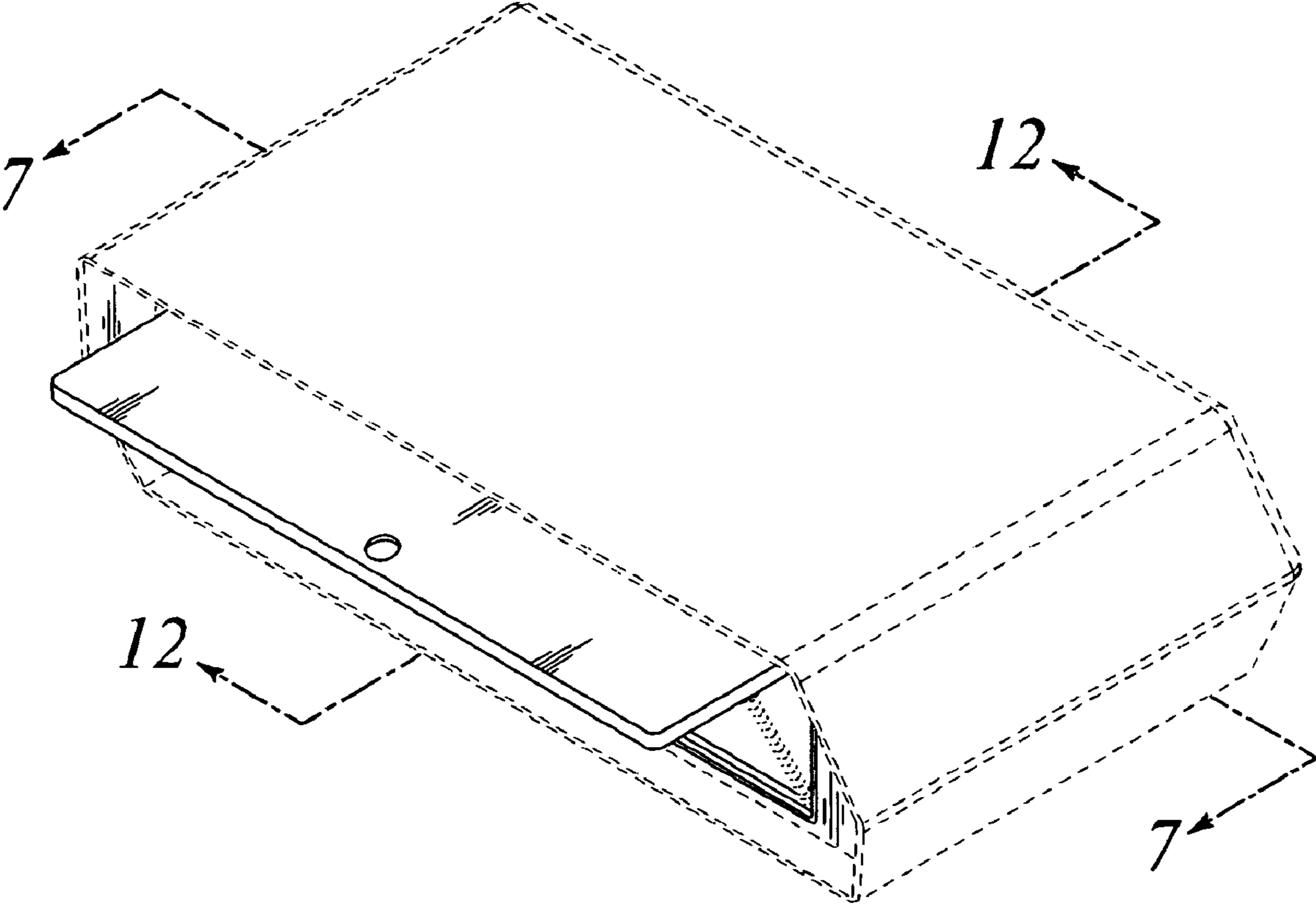


FIG. 5

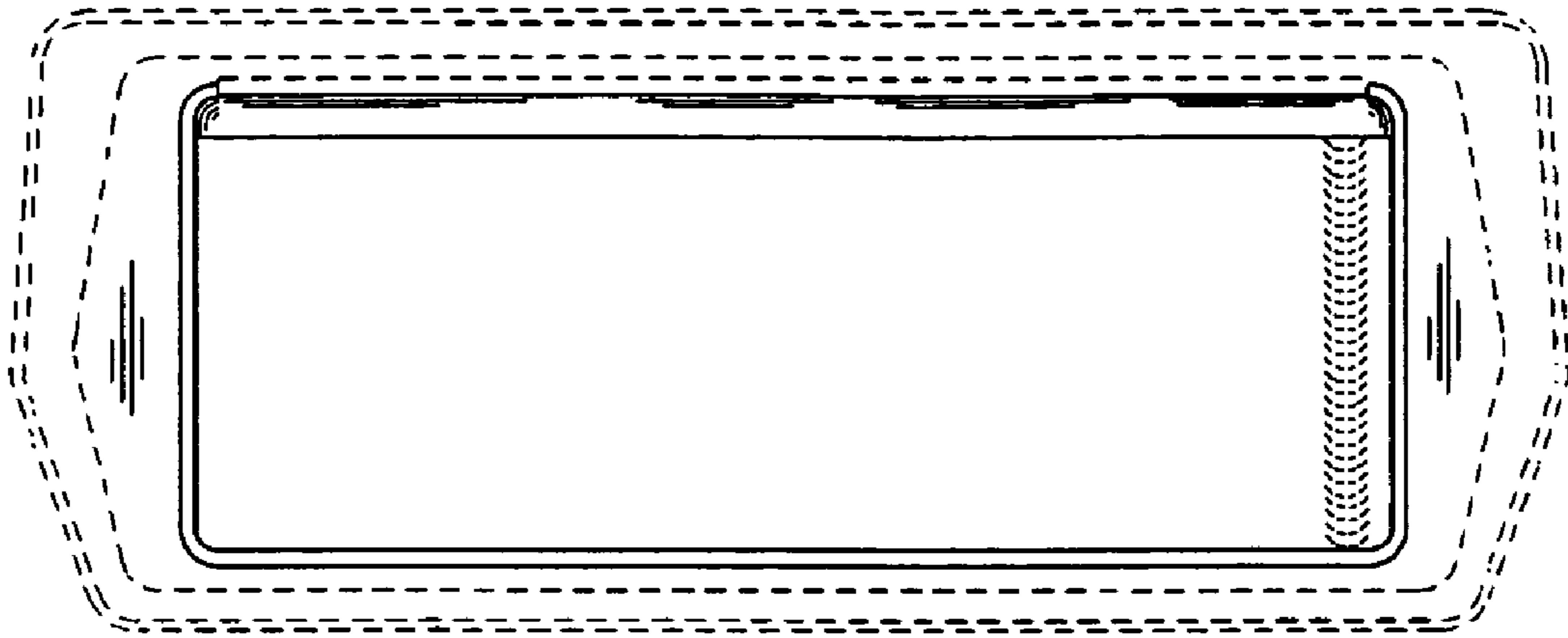


FIG. 6

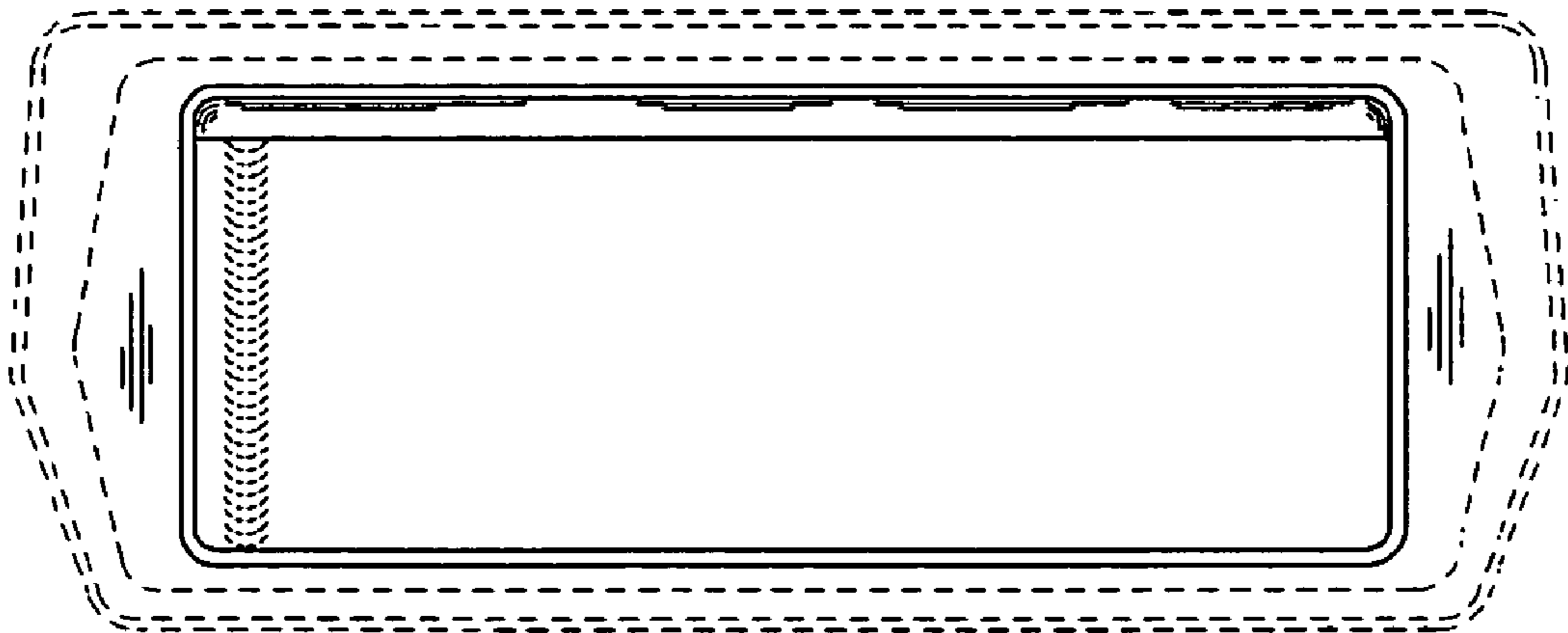


FIG. 7

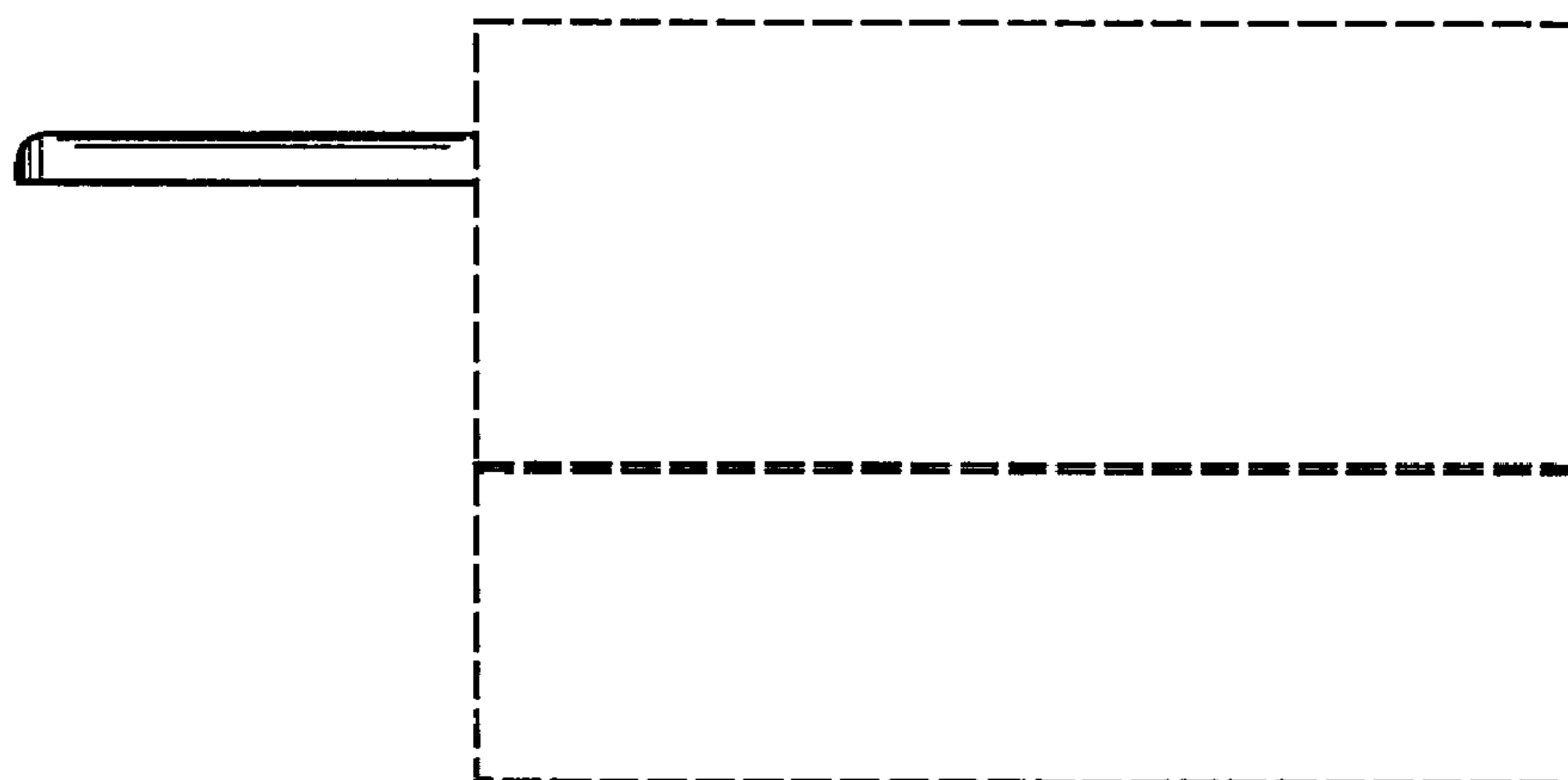


FIG. 8

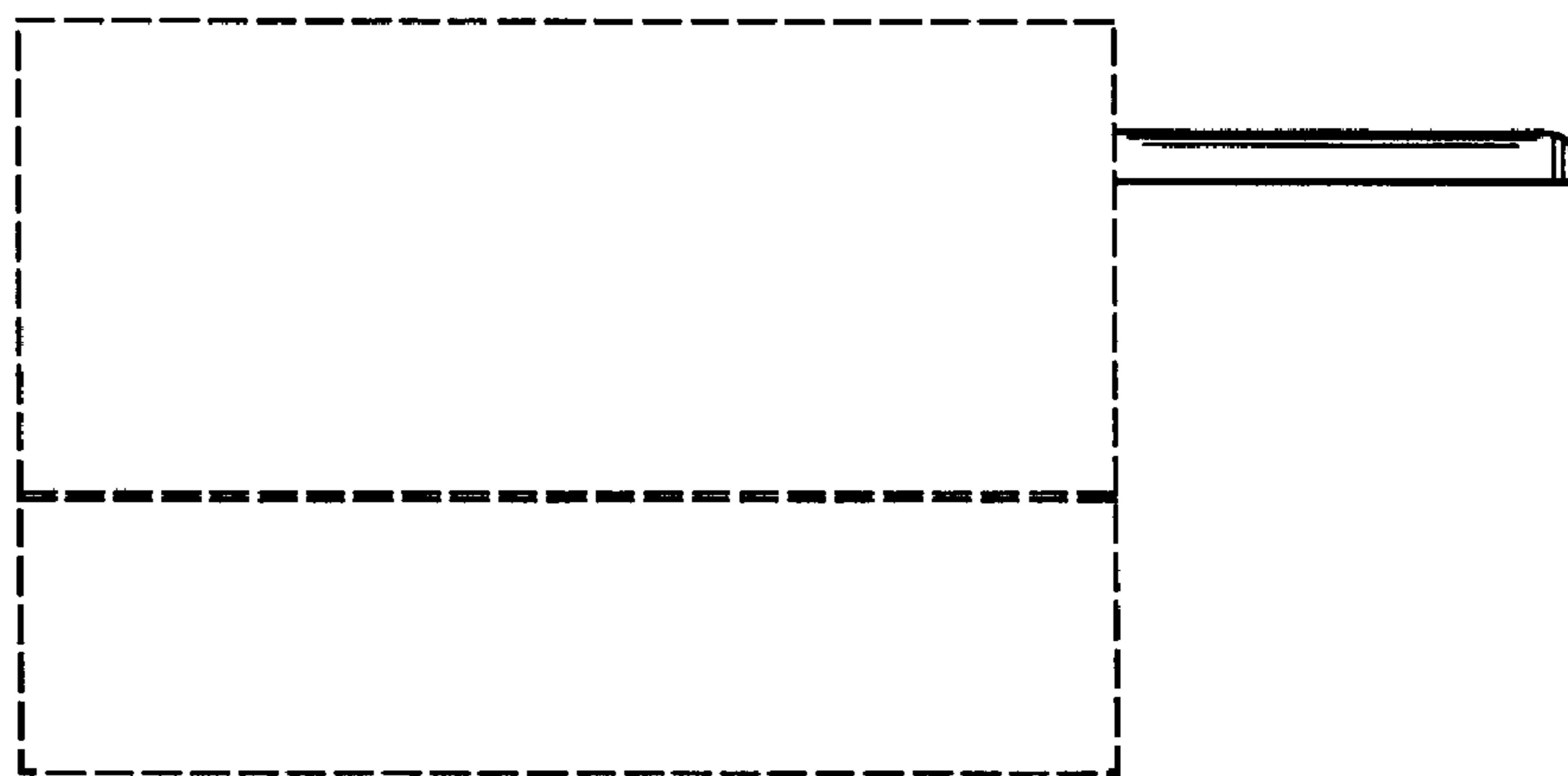


FIG. 9

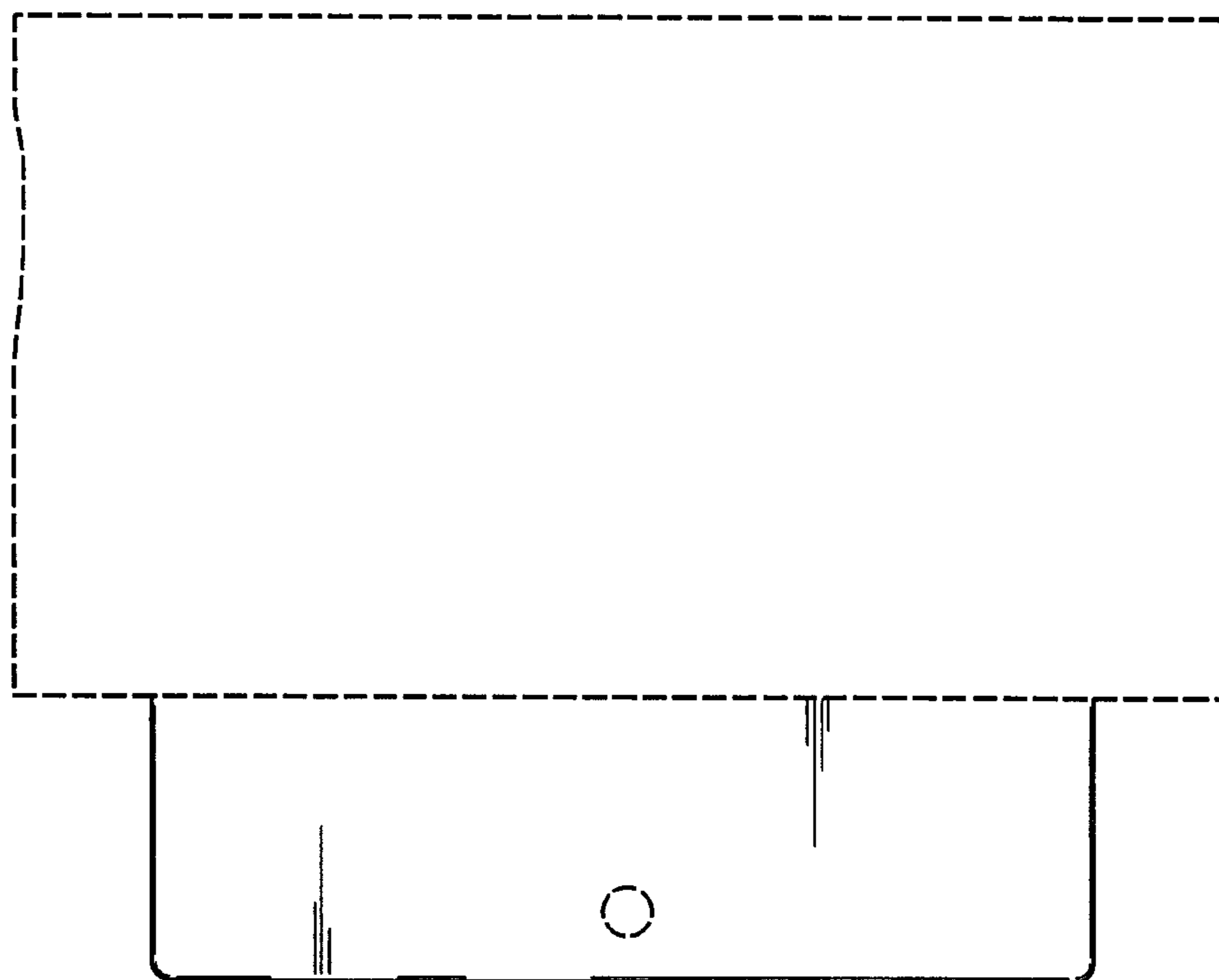


FIG. 10

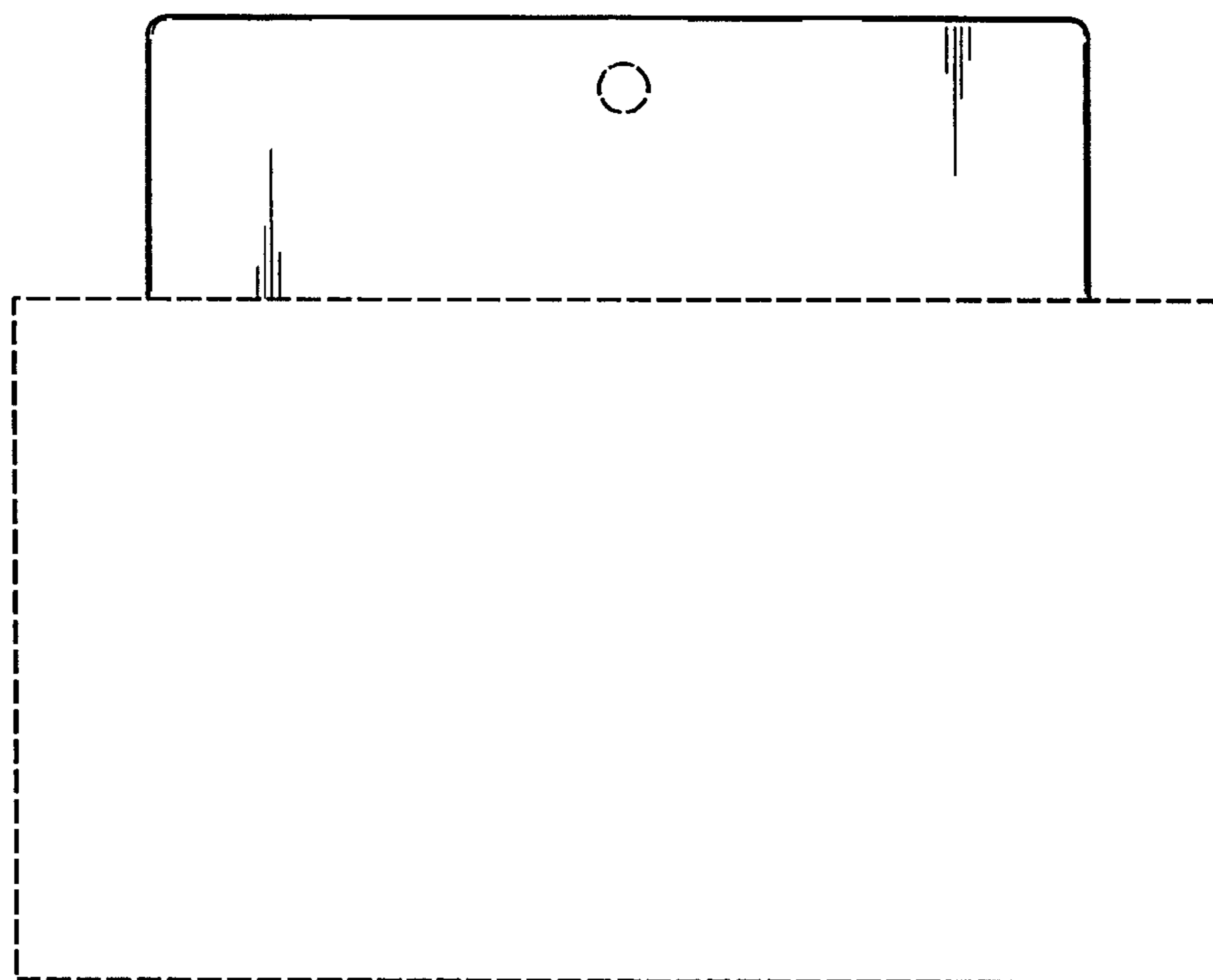


FIG. 11

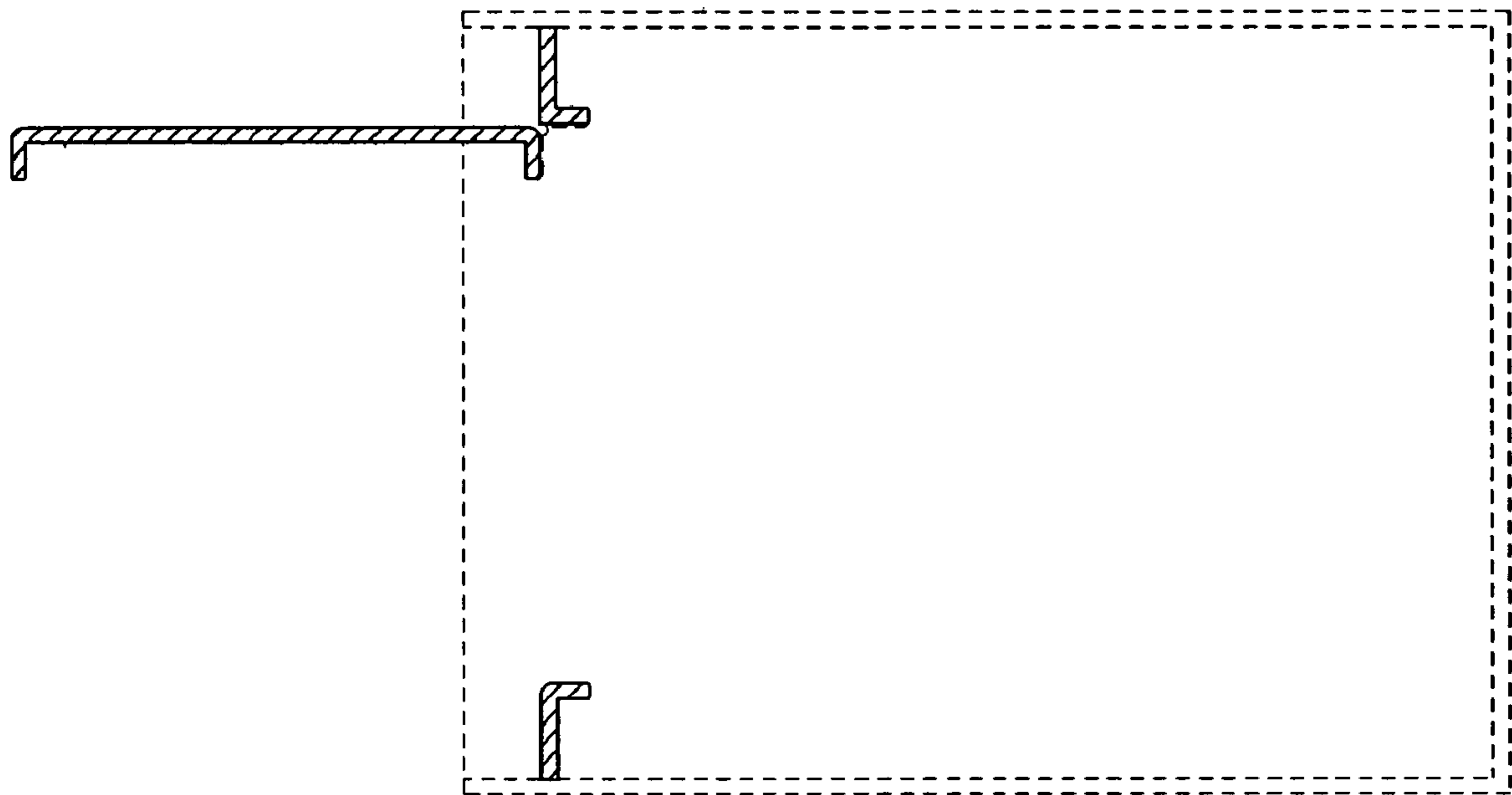


FIG. 12

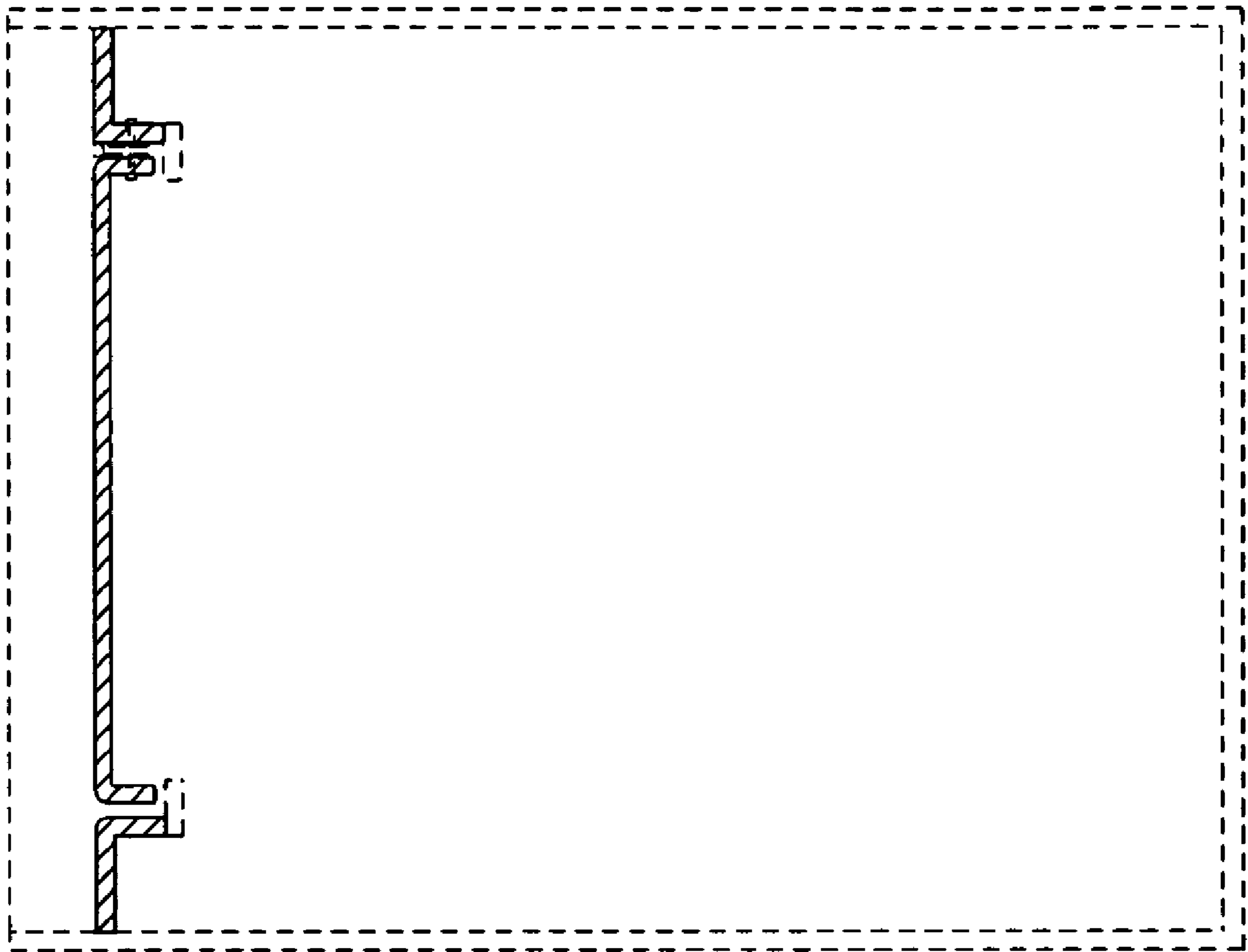


FIG. 13