



US00D618911S

(12) **United States Design Patent**  
**Brunner**

(10) **Patent No.:** **US D618,911 S**  
(45) **Date of Patent:** **\*\* Jul. 6, 2010**

(54) **CANTILEVER TOOLBOX**

(57) **CLAIM**

(75) Inventor: **Yaron Brunner**, Timrat (IL)

What is claimed is the ornamental design for a cantilever tool box, as shown and described.

(73) Assignee: **Keter Plastic Ltd.**, Herzelyia (IL)

(\*\*) Term: **14 Years**

**DESCRIPTION**

(21) Appl. No.: **29/311,989**

(22) Filed: **Aug. 17, 2009**

(51) **LOC (9) Cl.** ..... **03-01**

(52) **U.S. Cl.** ..... **D3/281; D3/295; D3/905**

(58) **Field of Classification Search** ..... **D3/260,**  
**D3/273-274, 276, 281, 283-284, 291, 294-295,**  
**D3/901, 905; D22/126; 190/17; 206/315.11,**  
**206/349, 372-373, 376, 379**

See application file for complete search history.

FIG. 1 is a perspective view of the cantilever toolbox at closed position, with the handle at vertical position and with the lid closed;

FIG. 2 is a perspective view of the cantilever toolbox seen in FIG. 1 at closed position, with the handle at horizontal position and with the lid closed;

FIG. 3 is a front view of the cantilever toolbox seen in FIG. 1 at closed position, with the handle at horizontal position and with the lid closed;

FIG. 4 is a right side view of the cantilever toolbox seen in FIG. 1 at closed position, with the handle at horizontal position and with the lid closed; left side view being a mirror image;

FIG. 5 is a top view of the cantilever toolbox seen in FIG. 1 at closed position and, the handle at horizontal position and with the lid closed;

FIG. 6 is a front perspective view of the cantilever toolbox at an opened position, with the handle at vertical position and with the lid opened;

FIG. 7 is a right side view of the tool box seen in FIG. 1 at an opened position, with the handle at vertical position and with the lid opened;

FIG. 8 is top view of the tool box seen in FIG. 1 at an opened position, with the handle at vertical position and with the lid opened;

FIG. 9 is a rear perspective view of the cantilever toolbox at an opened position, with the handle at vertical position and with the lid closed; and,

FIG. 10 is a rear perspective view of the cantilever toolbox at an opened position, with the handle at vertical position with the lid opened.

(56) **References Cited**

**U.S. PATENT DOCUMENTS**

1,766,553	A *	6/1930	Shriver	312/244
1,800,186	A *	4/1931	Shriver	312/271
1,925,409	A *	9/1933	Shriver	312/266
1,992,435	A *	2/1935	Labadie et al.	190/17
2,347,270	A *	4/1944	Larsson	312/244
D178,950	S *	10/1956	Berry	D3/284
2,879,916	A *	3/1959	Hoffmann et al.	220/322
3,346,733	A *	10/1967	Woolworth	362/156
3,410,018	A *	11/1968	Woolworth	43/26
3,606,511	A *	9/1971	Henning et al.	312/266
3,985,409	A *	10/1976	Kneier	312/271
4,691,470	A *	9/1987	Landell et al.	43/55
D308,915	S *	7/1990	Lanius	D3/284
D326,559	S *	6/1992	Szablak et al.	D3/281

(Continued)

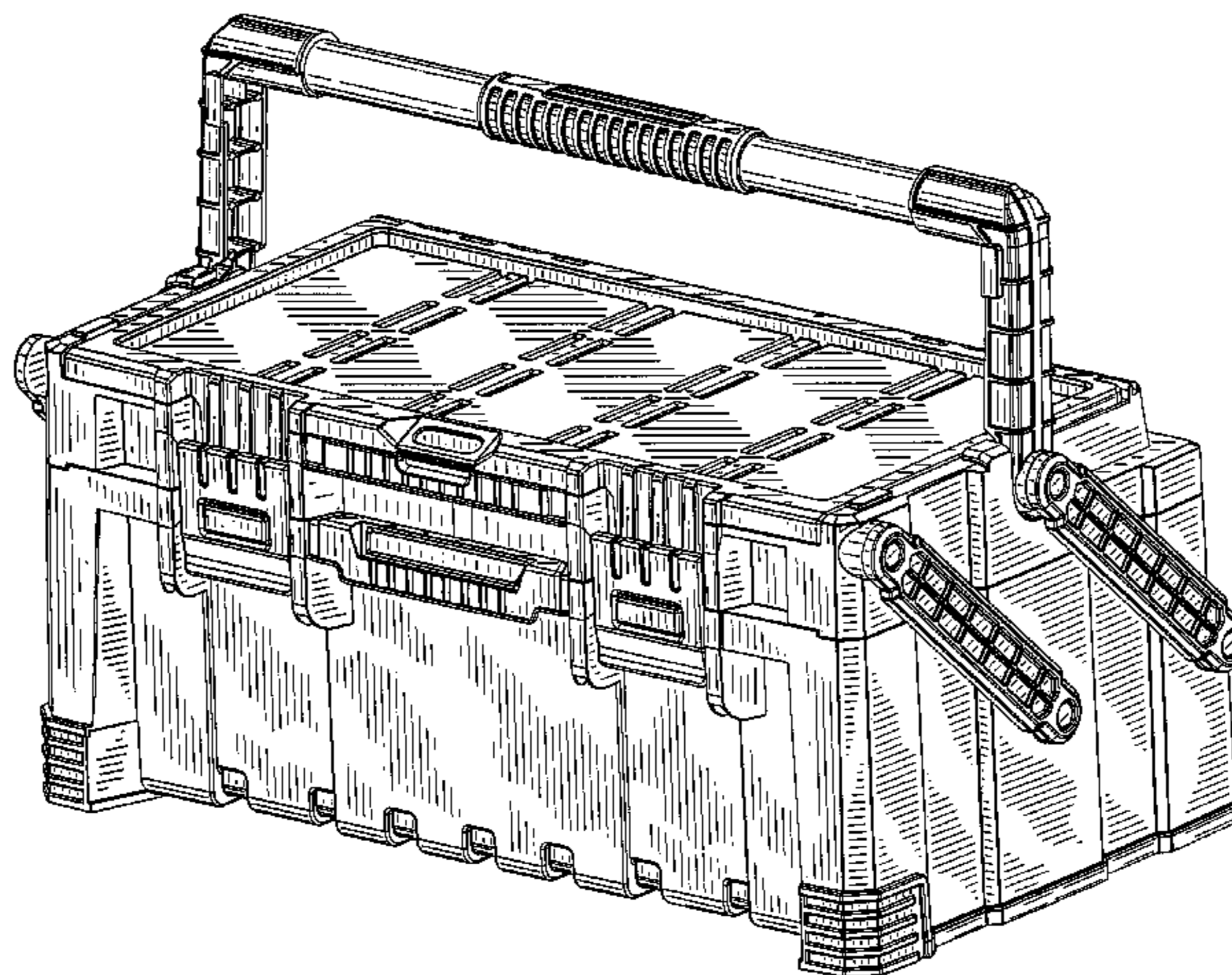
*Primary Examiner*—Philip S Hyder

*Assistant Examiner*—Roselynn Cody

(74) *Attorney, Agent, or Firm*—The Nath Law Group;

Susanne M. Hopkins; Jiaxiao Zhang

**1 Claim, 10 Drawing Sheets**



# US D618,911 S

Page 2

---

## U.S. PATENT DOCUMENTS

D331,317 S	*	12/1992	Tsai	.....	D3/281	6,237,765 B1	*	5/2001	Hagen et al.	.....	206/315.11
5,226,553 A	*	7/1993	Fiore	.....	220/318	6,484,880 B1	*	11/2002	Shaeffer	.....	206/581
D353,049 S	*	12/1994	Schmidt	.....	D3/283	D496,531 S	*	9/2004	Einav et al.	.....	D3/276
D364,426 S	*	11/1995	Bucaccio	.....	D19/75	D514,314 S	*	2/2006	Singh et al.	.....	D3/276
D440,401 S	*	4/2001	Pauser et al.	.....	D3/276	7,246,718 B2	*	7/2007	Einav et al.	.....	220/764
						2006/0226042 A1	*	10/2006	Seymour et al.	.....	206/379

\* cited by examiner



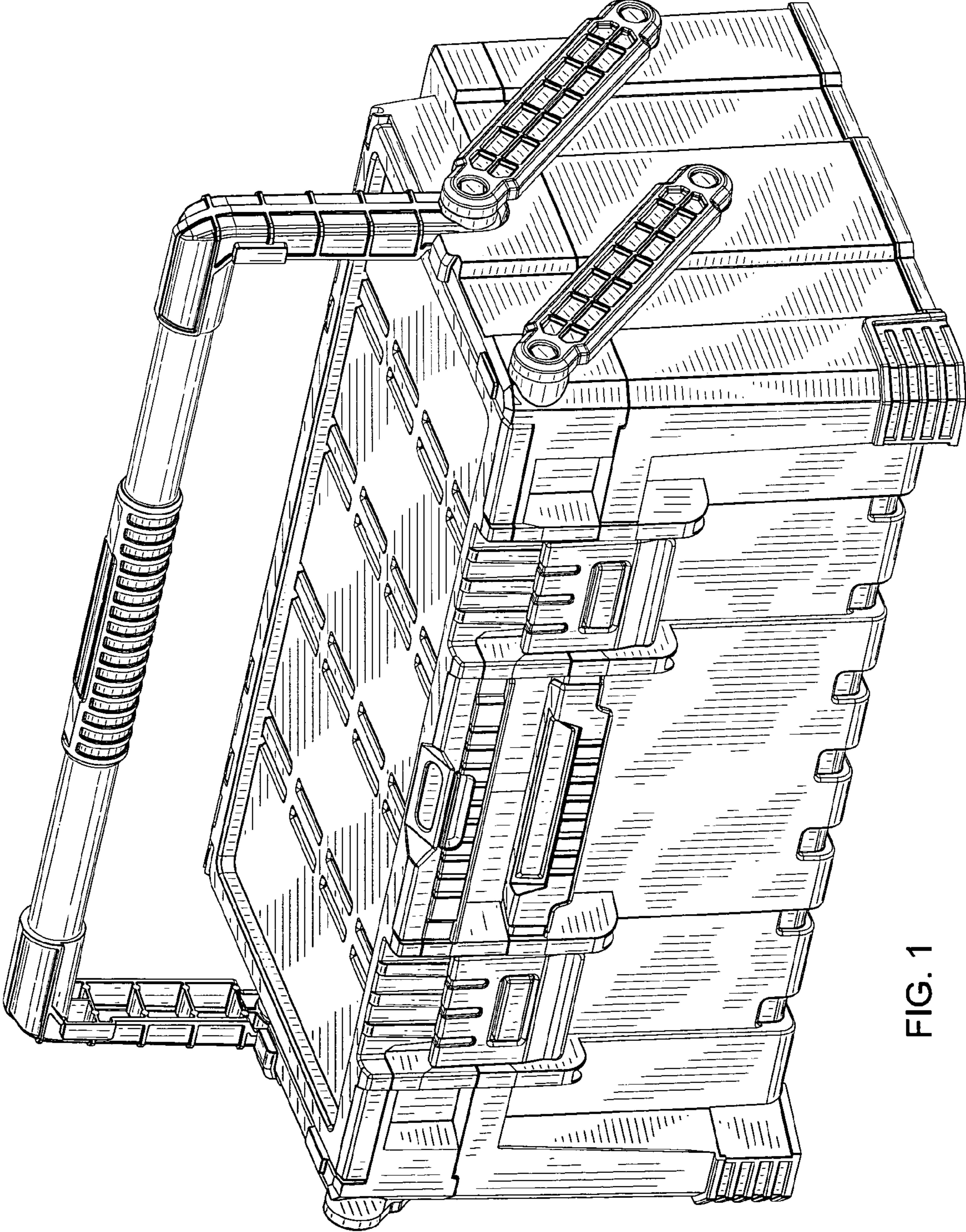


FIG. 1

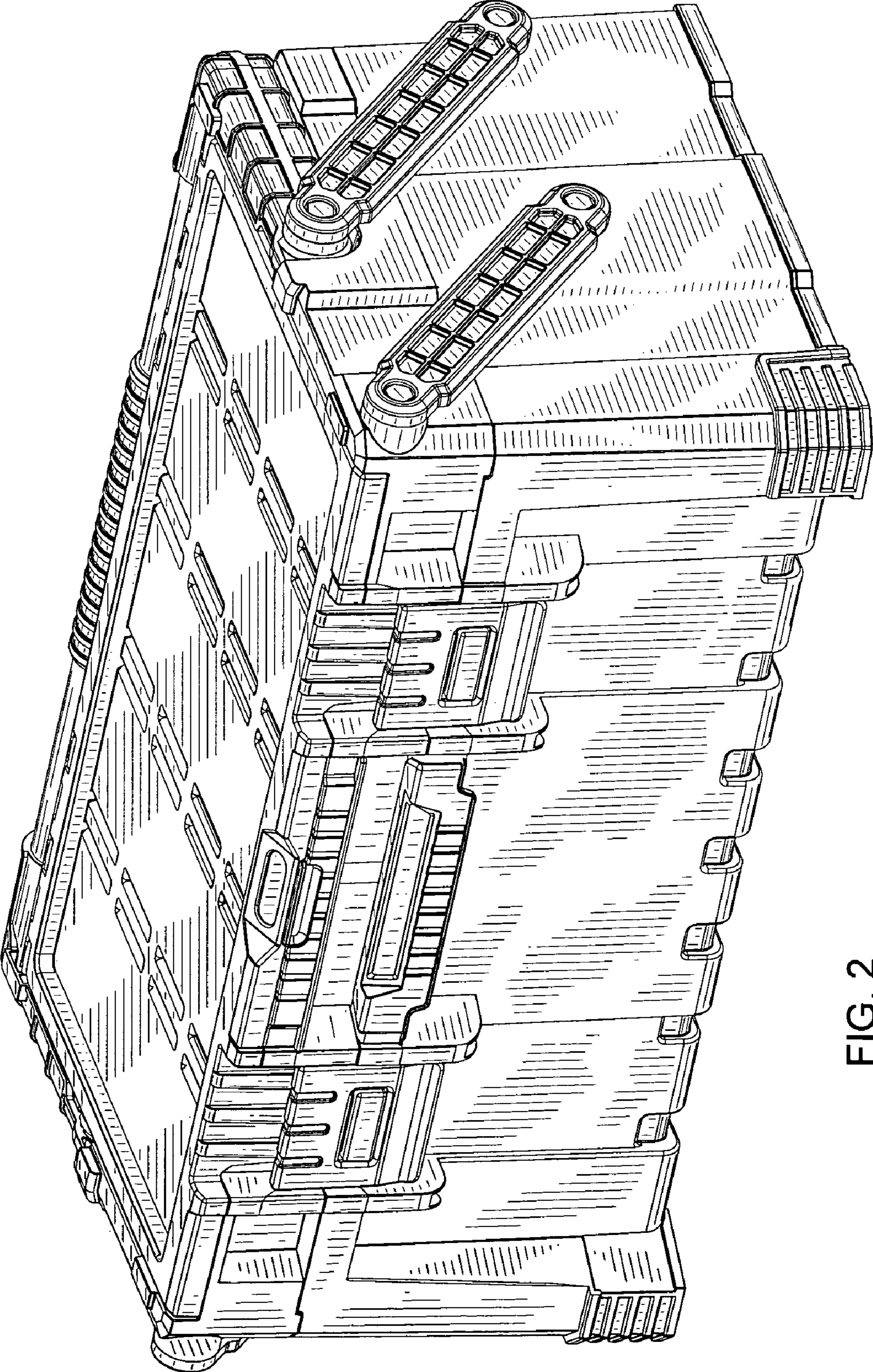


FIG. 2



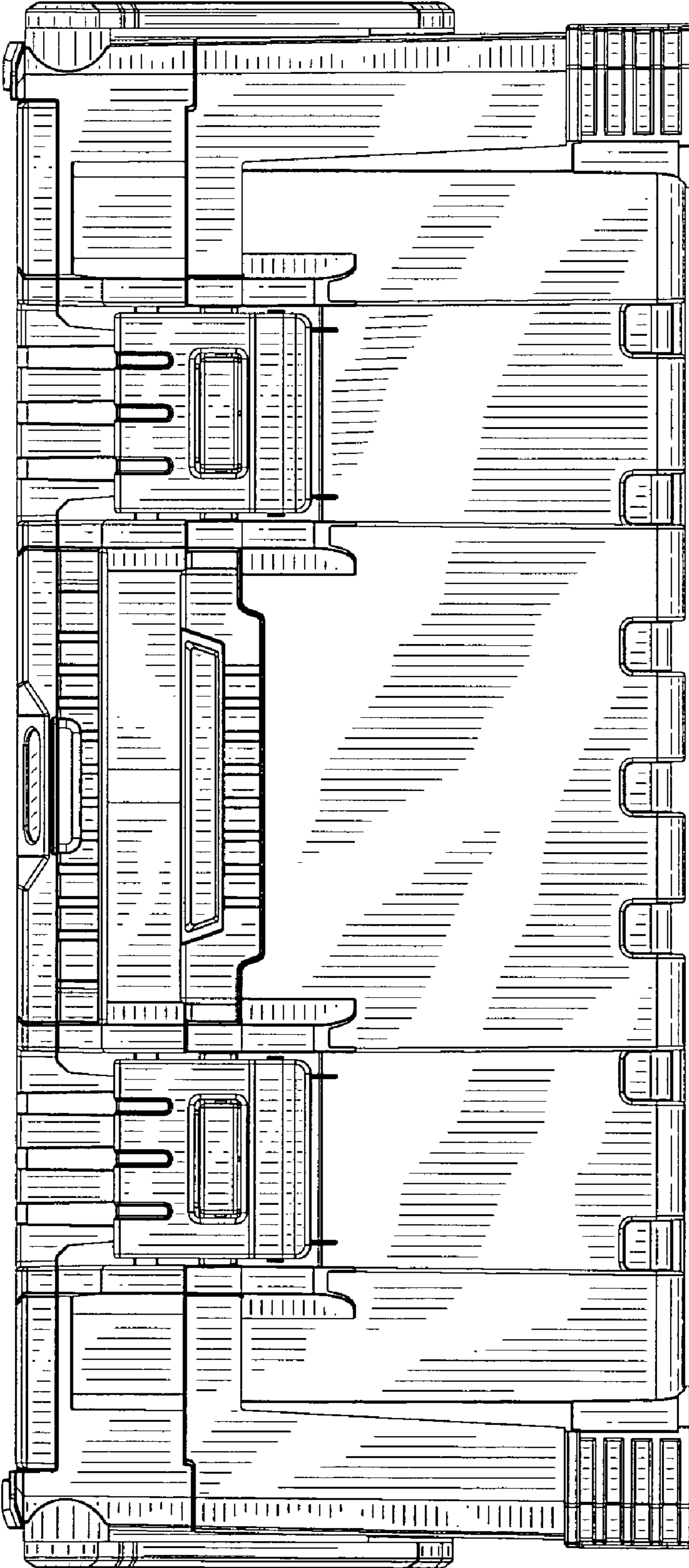


FIG. 3

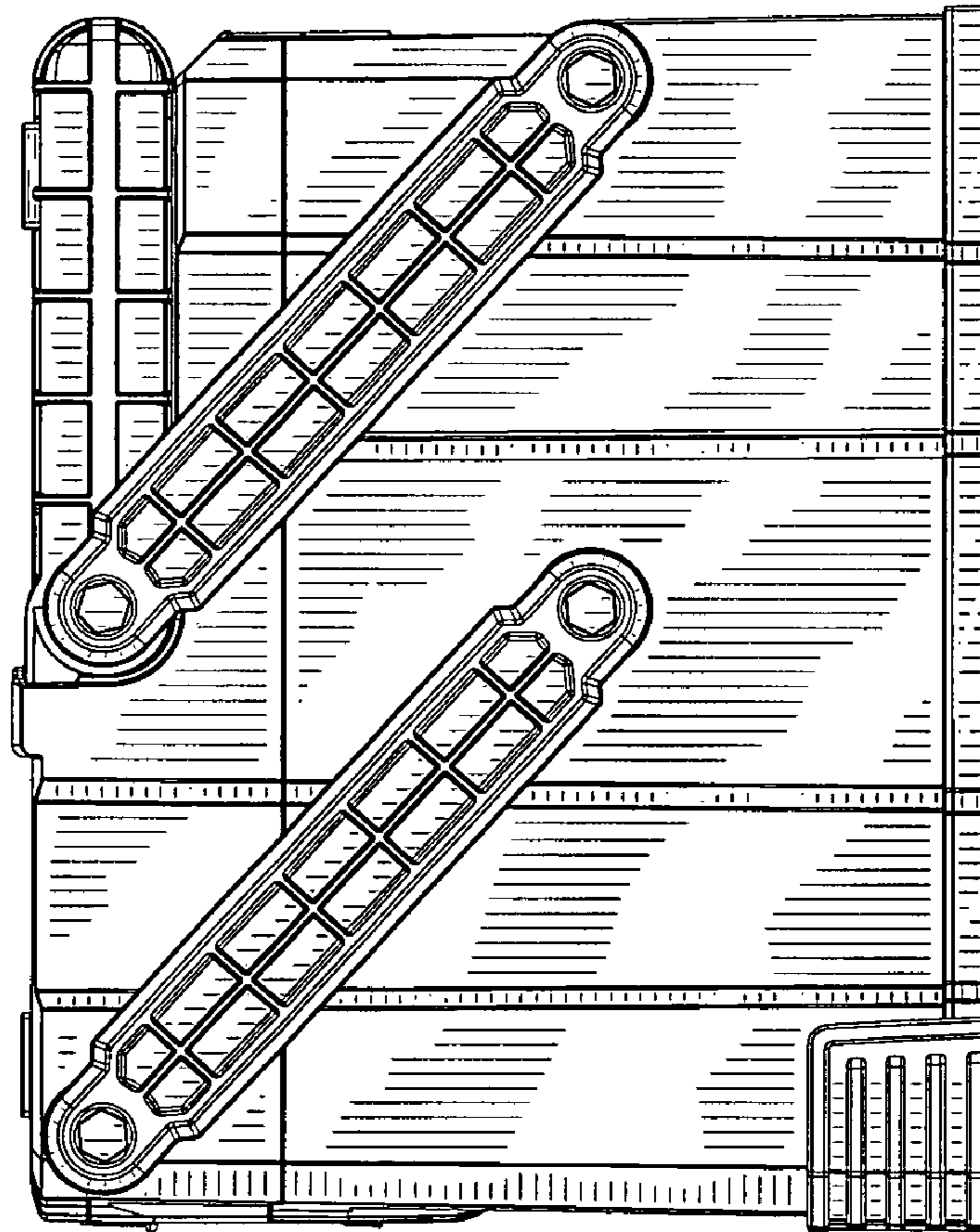


FIG. 4

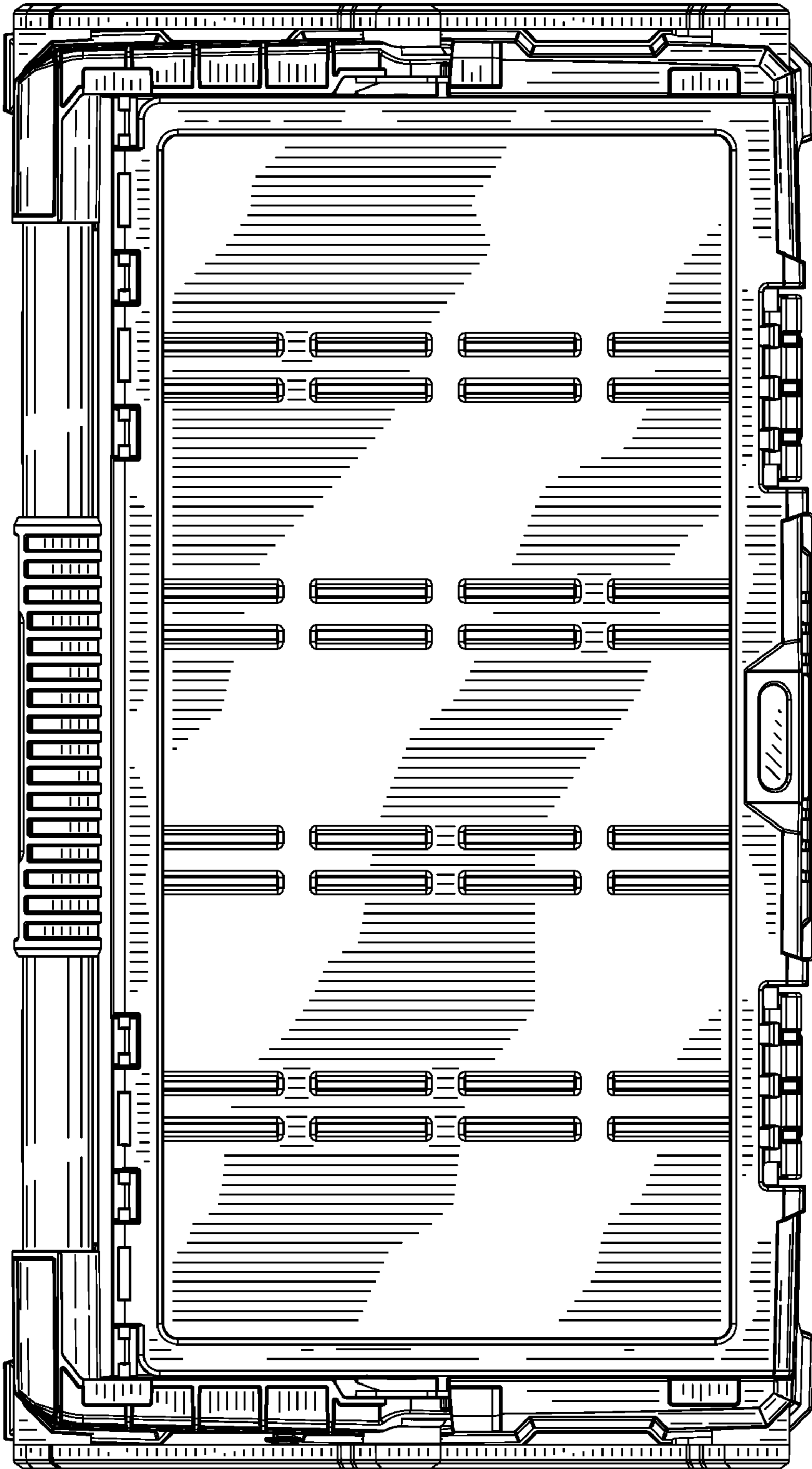


FIG. 5

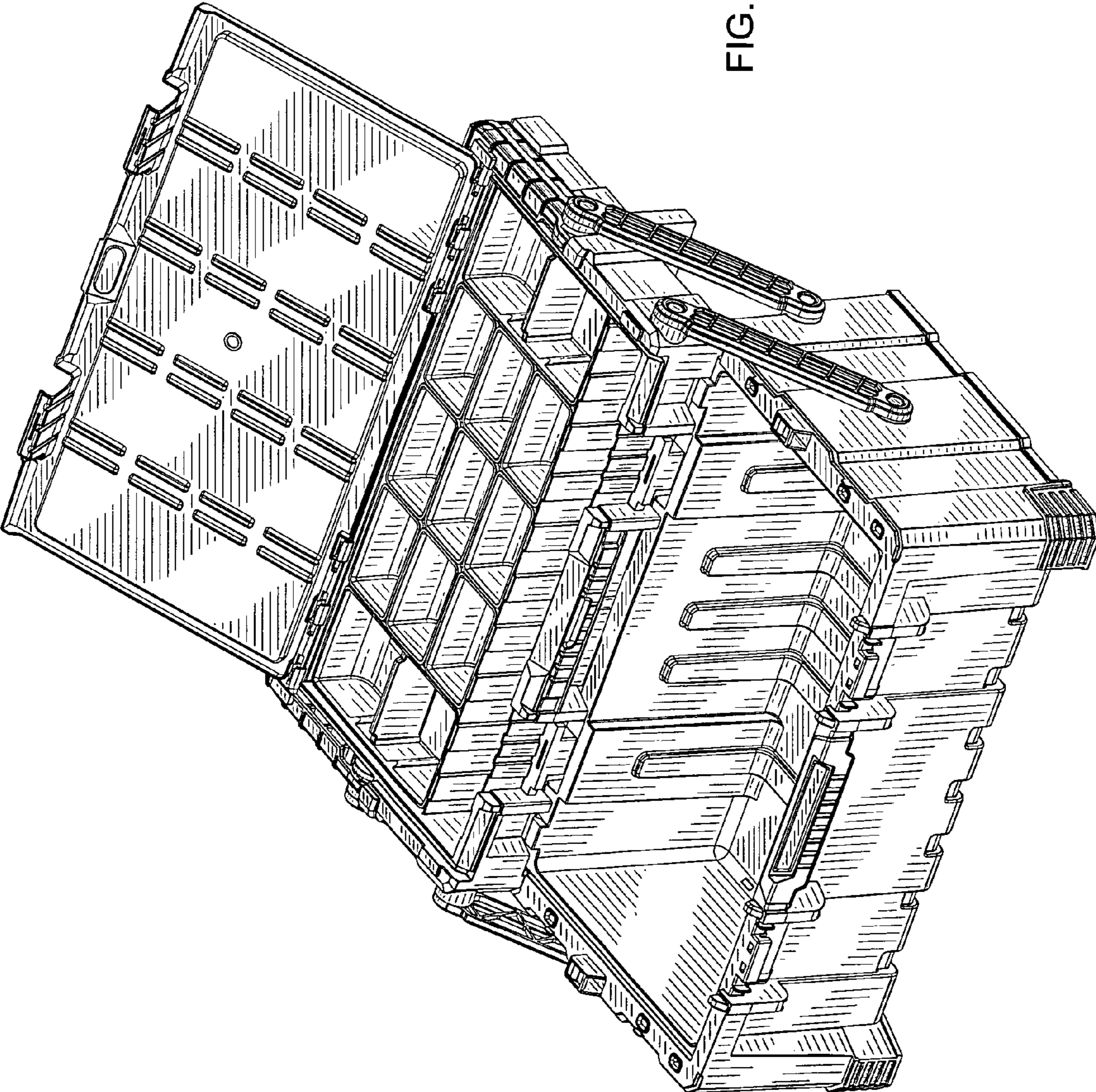


FIG. 6



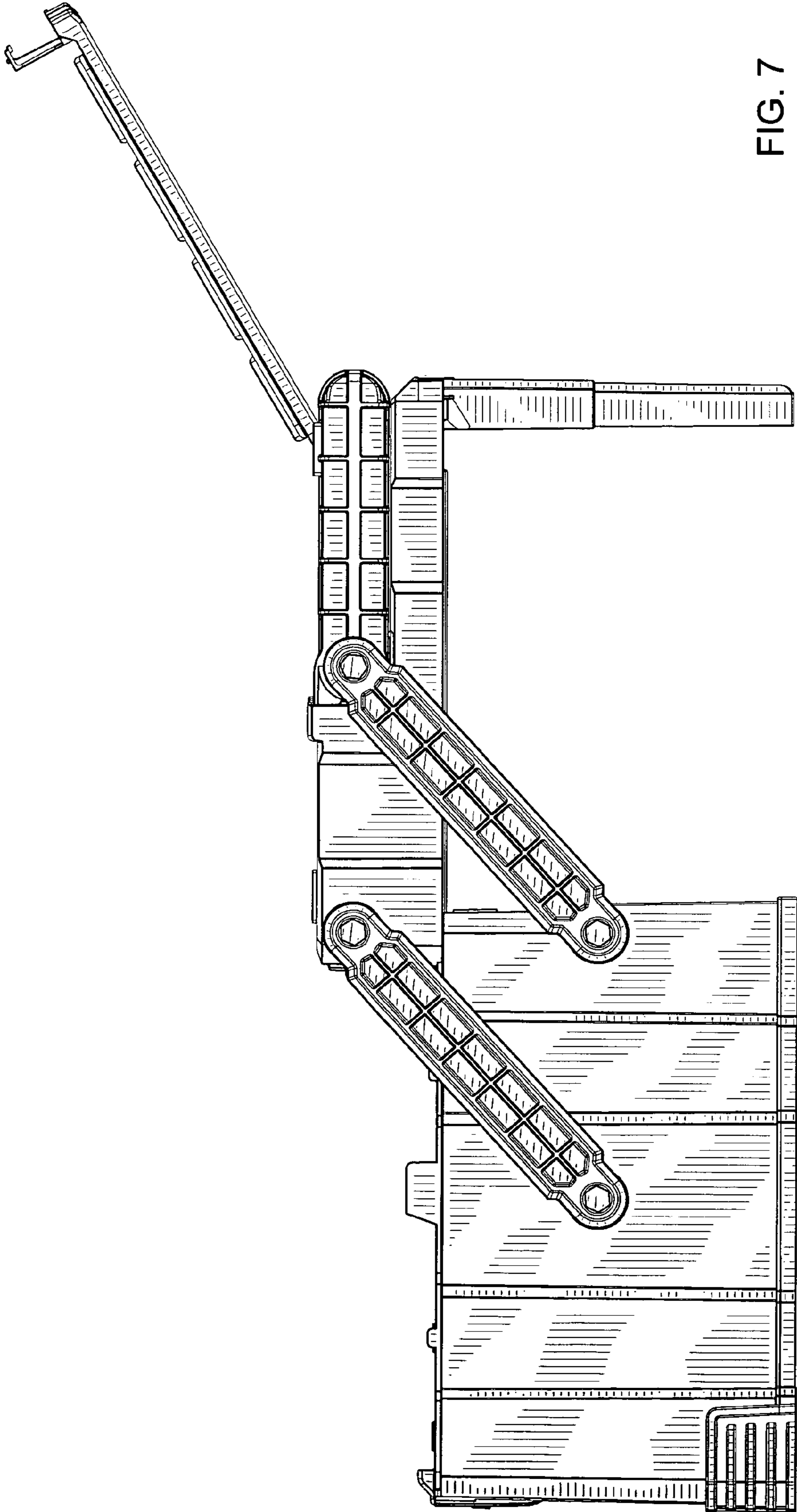


FIG. 7

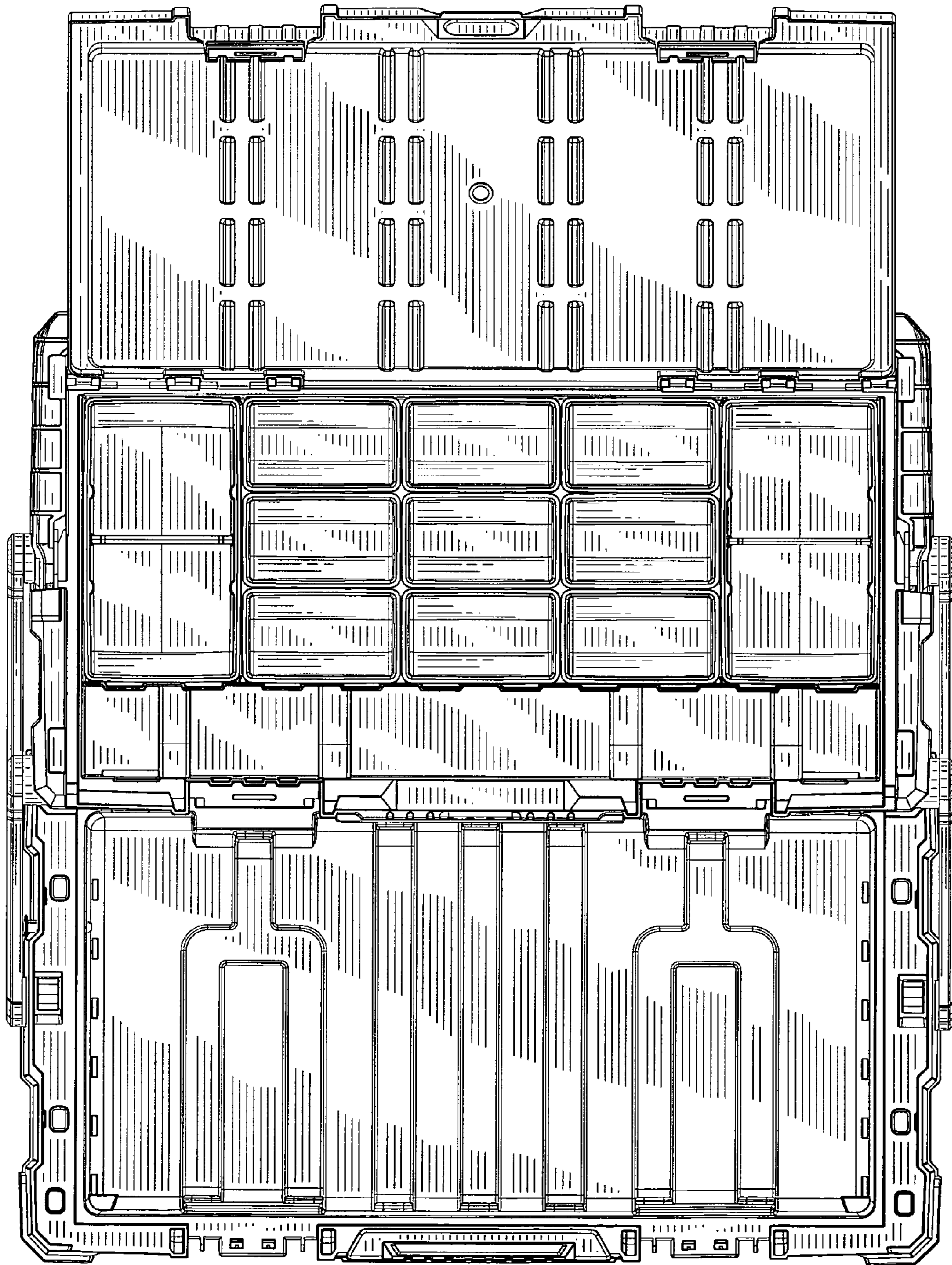


FIG. 8

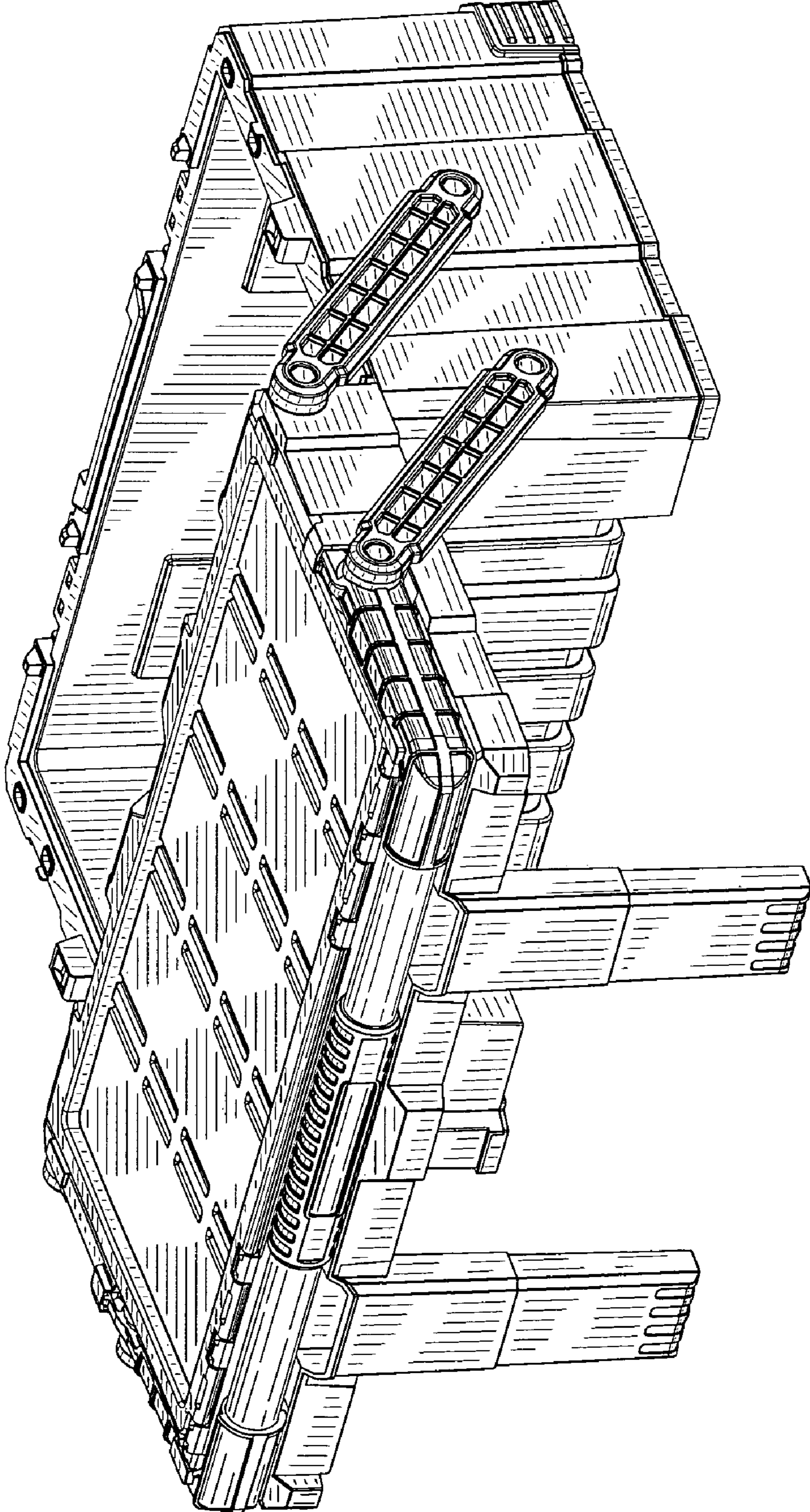


FIG. 9



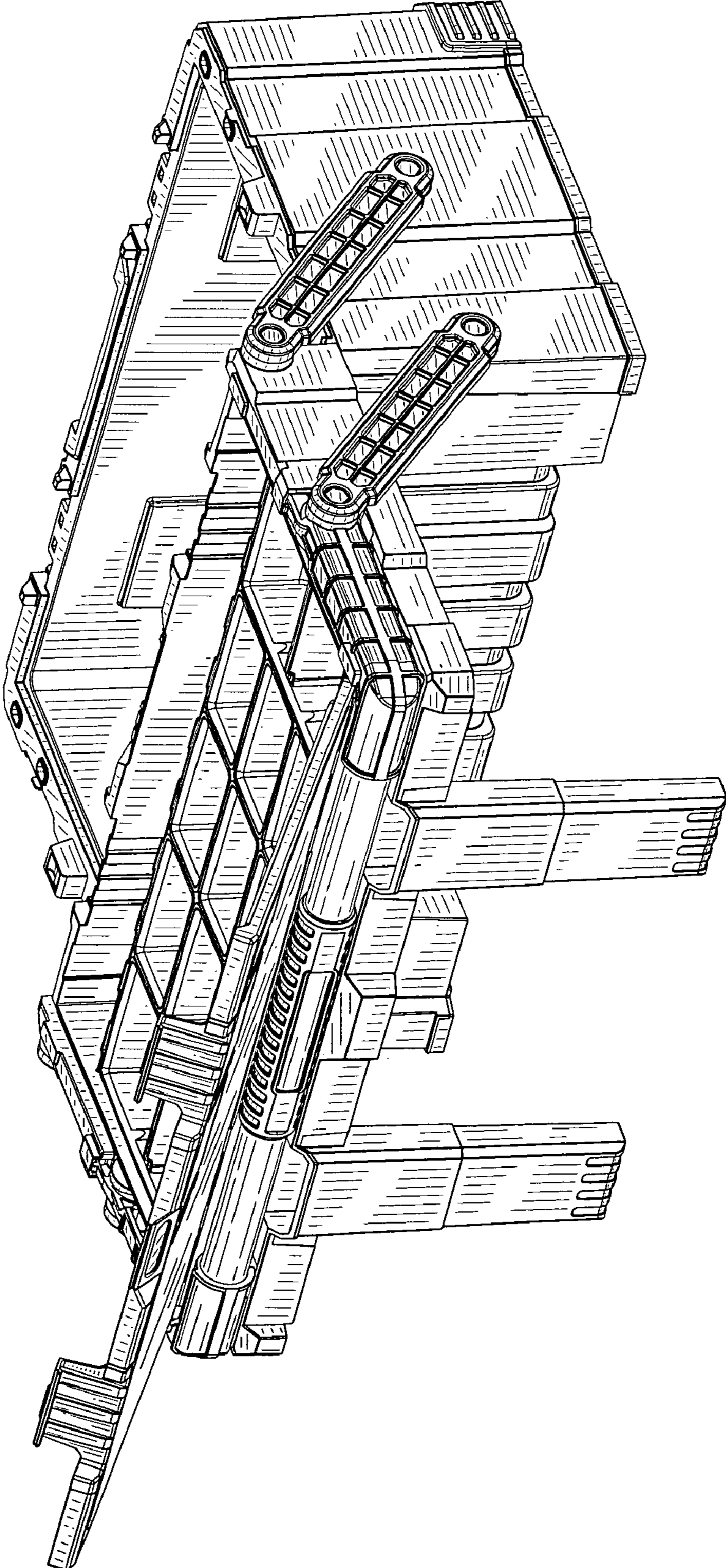


FIG. 10