



US00D618910S

(12) **United States Design Patent**
Porter, Jr. et al.

(10) **Patent No.:** **US D618,910 S**
(45) **Date of Patent:** **** Jul. 6, 2010**

(54) **LUGGAGE**

(76) Inventors: **Robert Lewis Porter, Jr.**, 5129 7th Ct.
South, Birmingham, AL (US) 35212;
Jonathan Peter Bennett, 735
Mendenhall Ct., Fort Mill, SC (US)
29715

(**) Term: **14 Years**

(21) Appl. No.: **29/306,087**

(22) Filed: **Apr. 2, 2008**

(51) **LOC (9) Cl.** **03-01**

(52) **U.S. Cl.** **D3/279**

(58) **Field of Classification Search** D3/273,
D3/279, 283, 289, 318–319, 321, 902; 190/18 A,
190/100, 103–104, 107, 109, 111–113, 115–116,
190/119

See application file for complete search history.

(56) **References Cited**

U.S. PATENT DOCUMENTS

D360,527 S *	7/1995	Corney et al.	D3/279
5,447,261 A *	9/1995	Mitomi et al.	224/153
D374,773 S *	10/1996	Domotor	D3/279
D375,199 S *	11/1996	Stokes et al.	D3/279
D385,699 S *	11/1997	Lin	D3/279
D422,409 S *	4/2000	Klenner et al.	D3/279
D425,301 S *	5/2000	Sagol	D3/279
D435,967 S *	1/2001	Tiramani et al.	D3/273
D438,005 S *	2/2001	Tiramani et al.	D3/279

D462,169 S *	9/2002	Giovanni	D3/279
D476,153 S *	6/2003	Sadr et al.	D3/279
D476,154 S *	6/2003	Lovett	D3/279
D479,651 S *	9/2003	Shen	D3/279
D493,283 S *	7/2004	Rada et al.	D3/279
D503,536 S *	4/2005	Rada et al.	D3/321
D512,220 S *	12/2005	Van Himbeeck	D3/279
D532,970 S *	12/2006	Teitloff et al.	D3/258
D554,861 S *	11/2007	Udall et al.	D3/279

* cited by examiner

Primary Examiner—Philip S Hyder

Assistant Examiner—Roselynn Cody

(74) *Attorney, Agent, or Firm*—C. Brandon Browning;
Maynard Cooper & Gale, PC

(57) **CLAIM**

The ornamental design for luggage, as shown and described.

DESCRIPTION

FIG. 1 is a front perspective view of luggage in accordance with the present invention.

FIG. 2 is a rear perspective view of the luggage of FIG. 1.

FIG. 3 is a side elevational view of the luggage of FIG. 1.

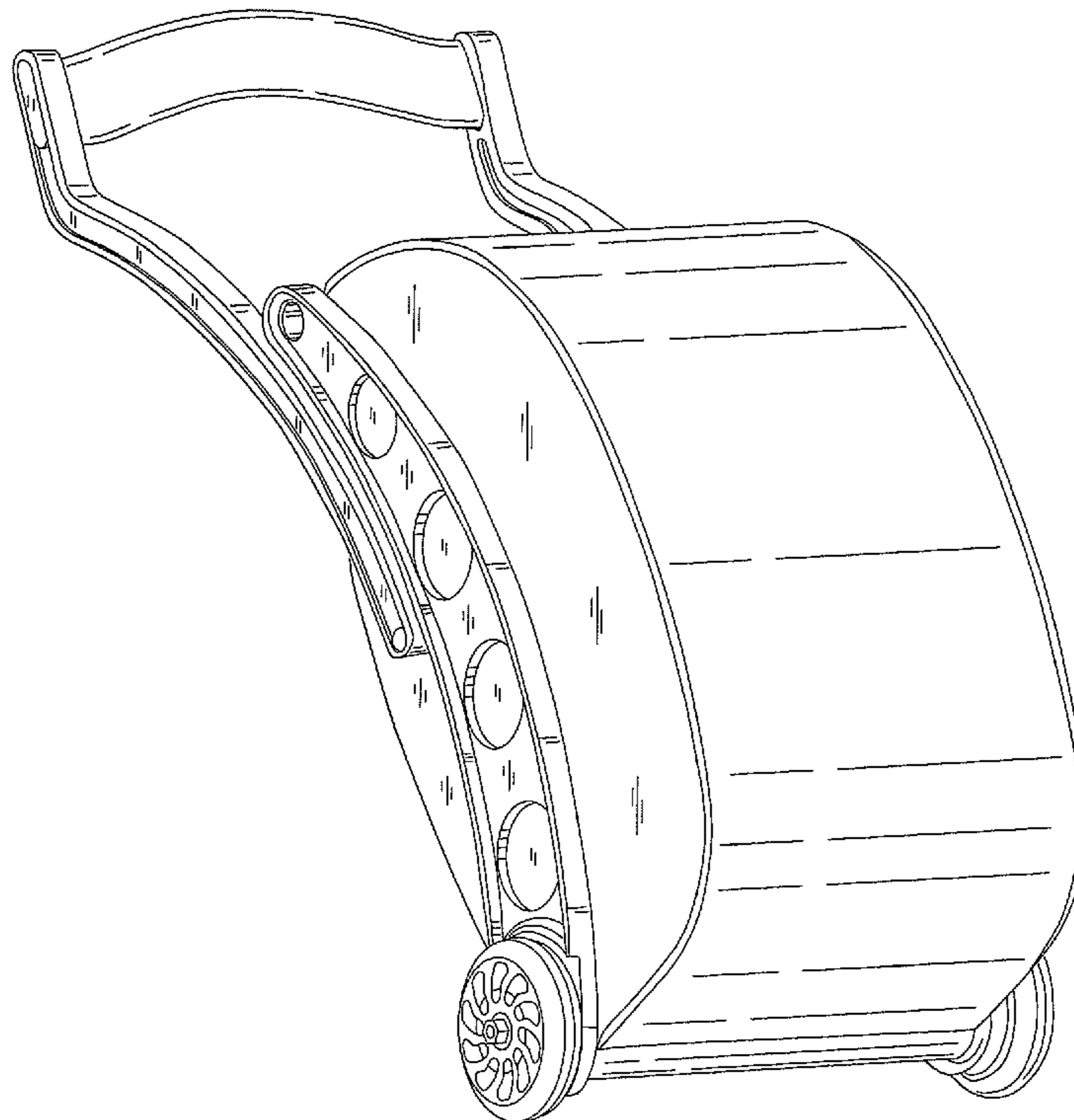
FIG. 4 is a front elevational view of the luggage of FIG. 1.

FIG. 5 is a rear elevational view of the luggage of FIG. 1.

FIG. 6 is a top plan view of the luggage of FIG. 1; and,

FIG. 7 is a bottom plan view of the luggage of FIG. 1.

1 Claim, 7 Drawing Sheets



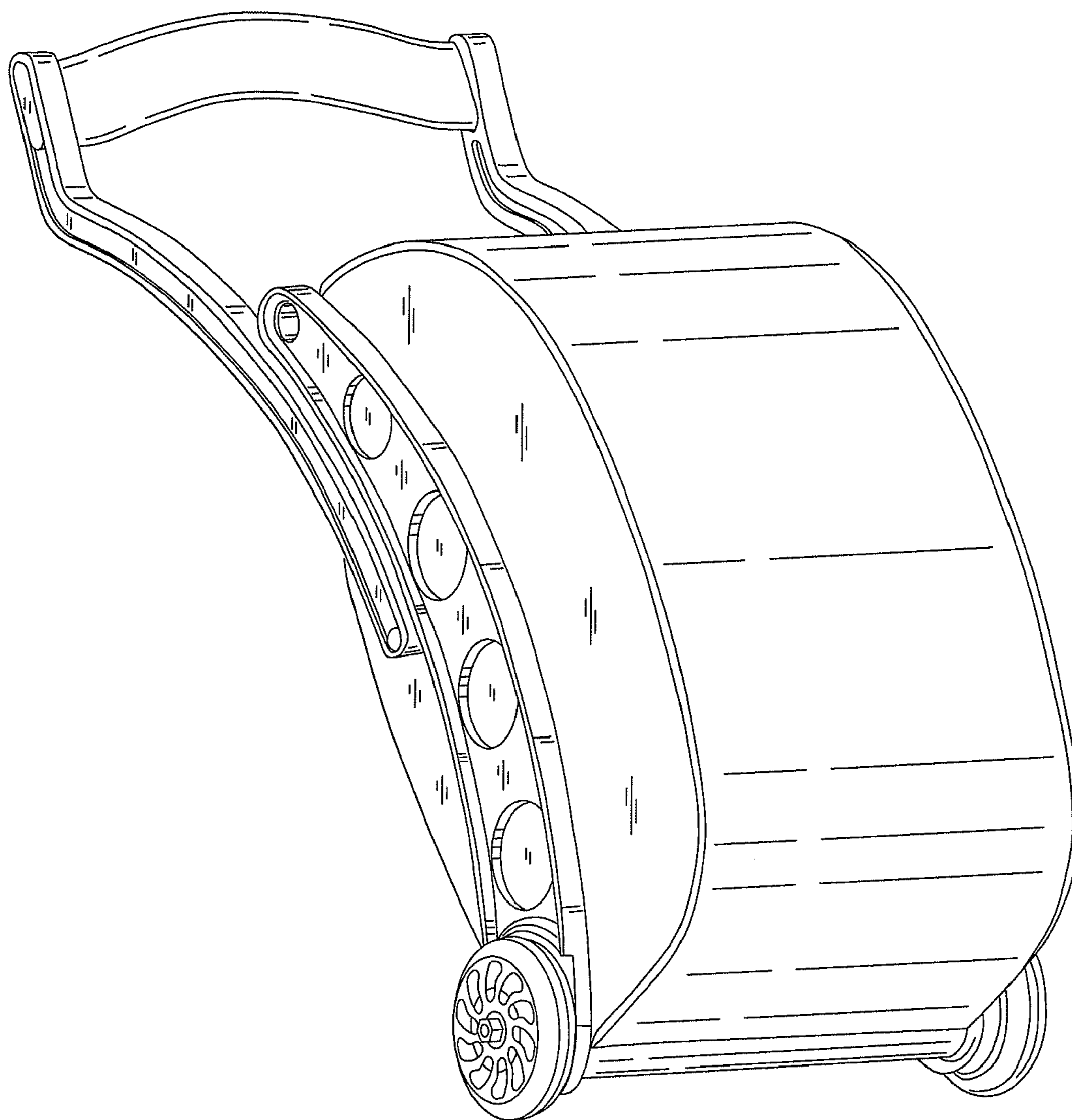


FIG. 1

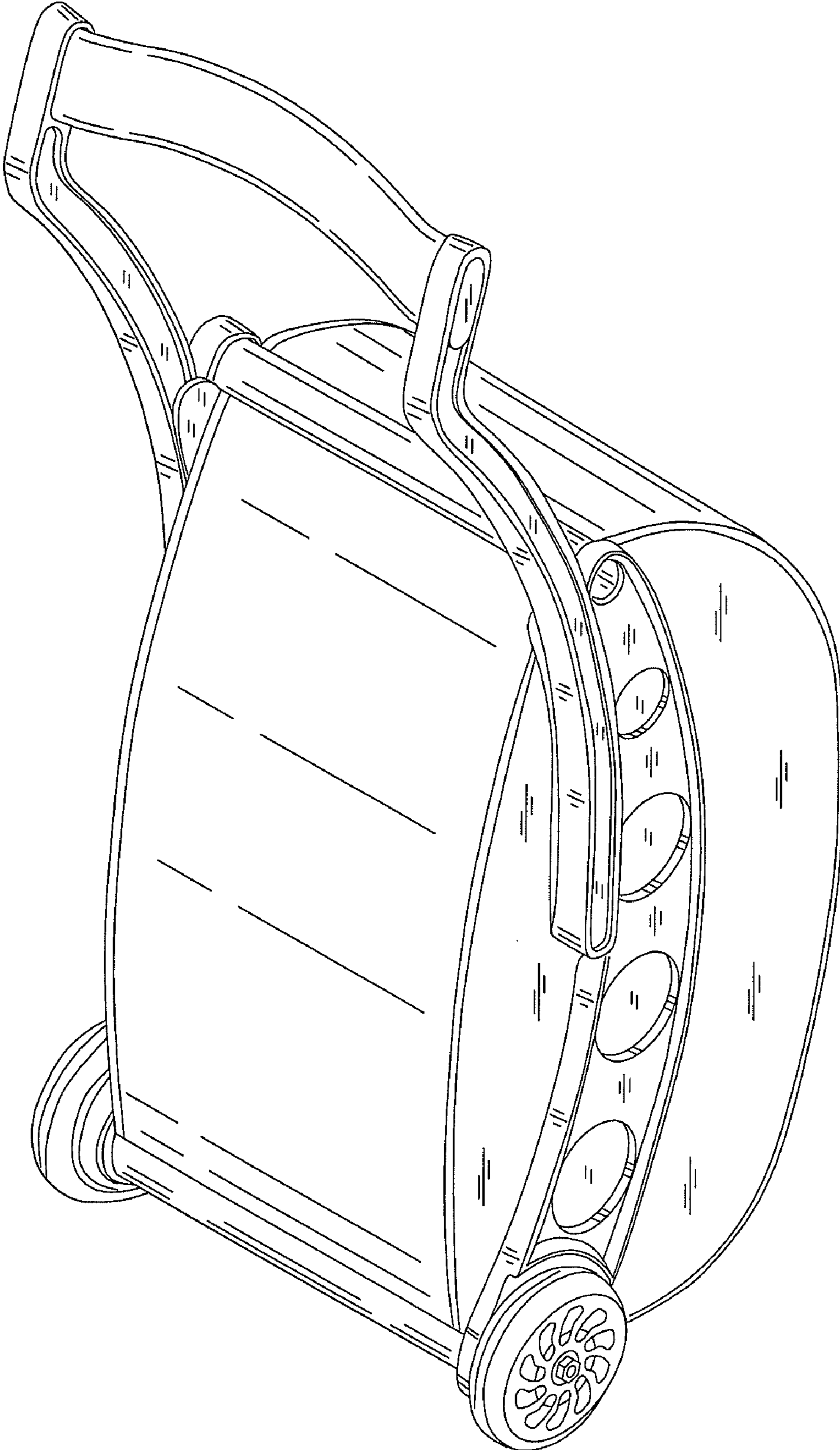


FIG. 2

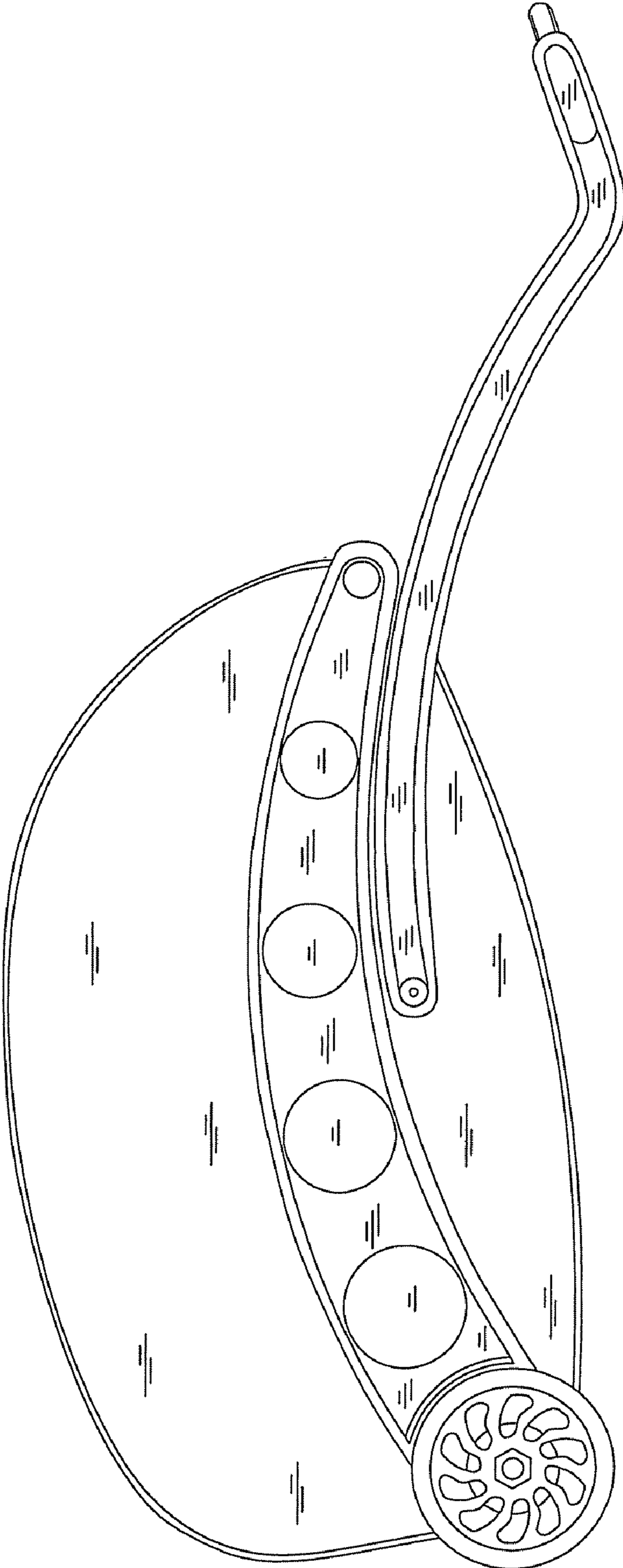


FIG. 3

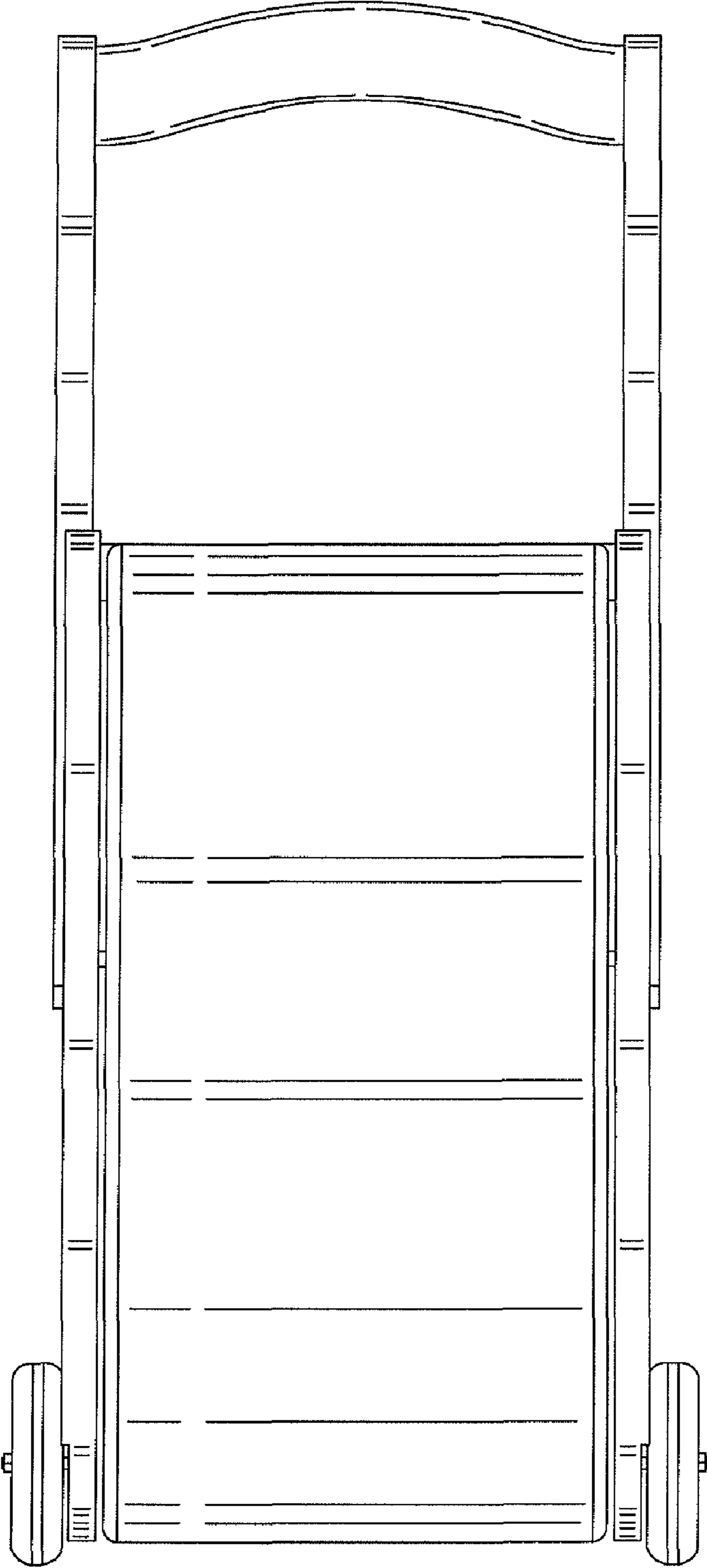


FIG. 4

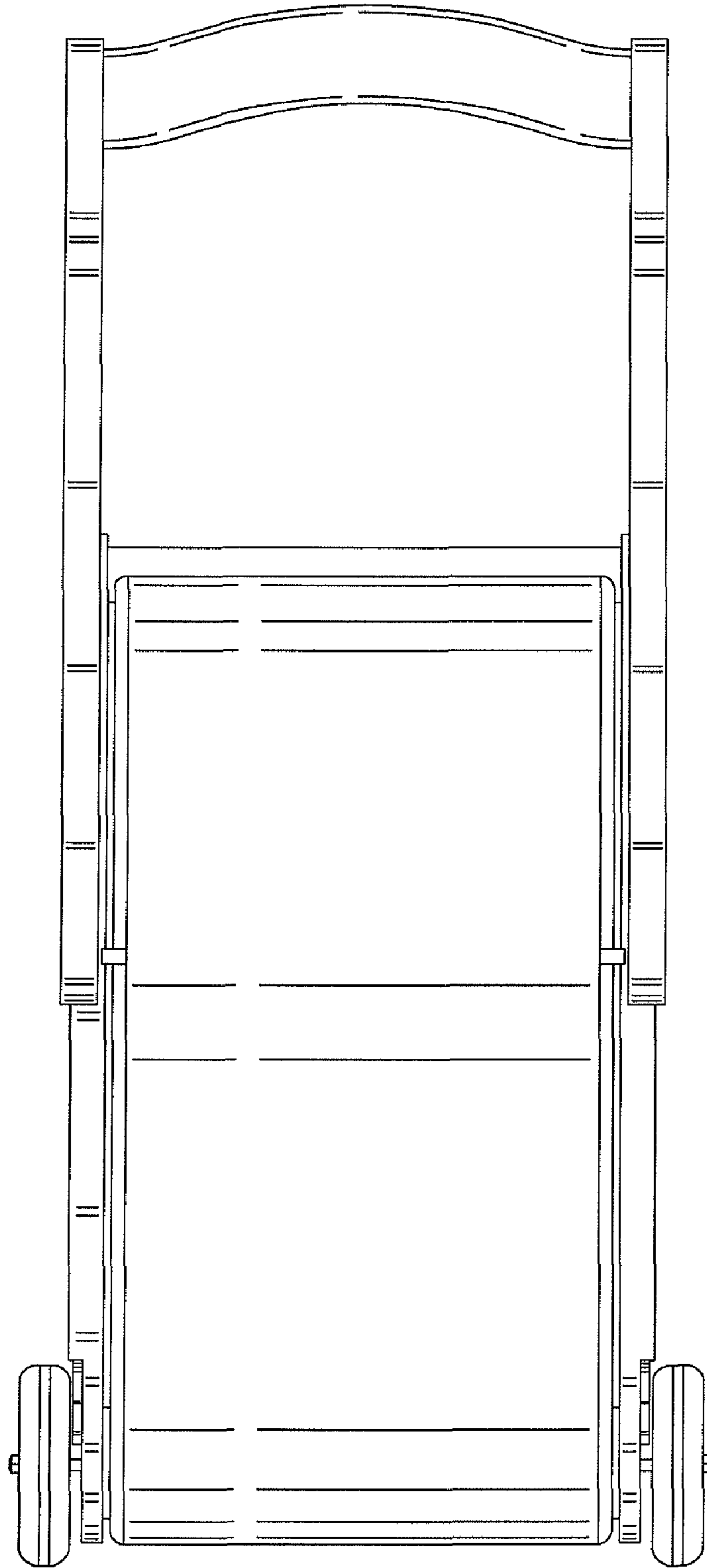


FIG. 5

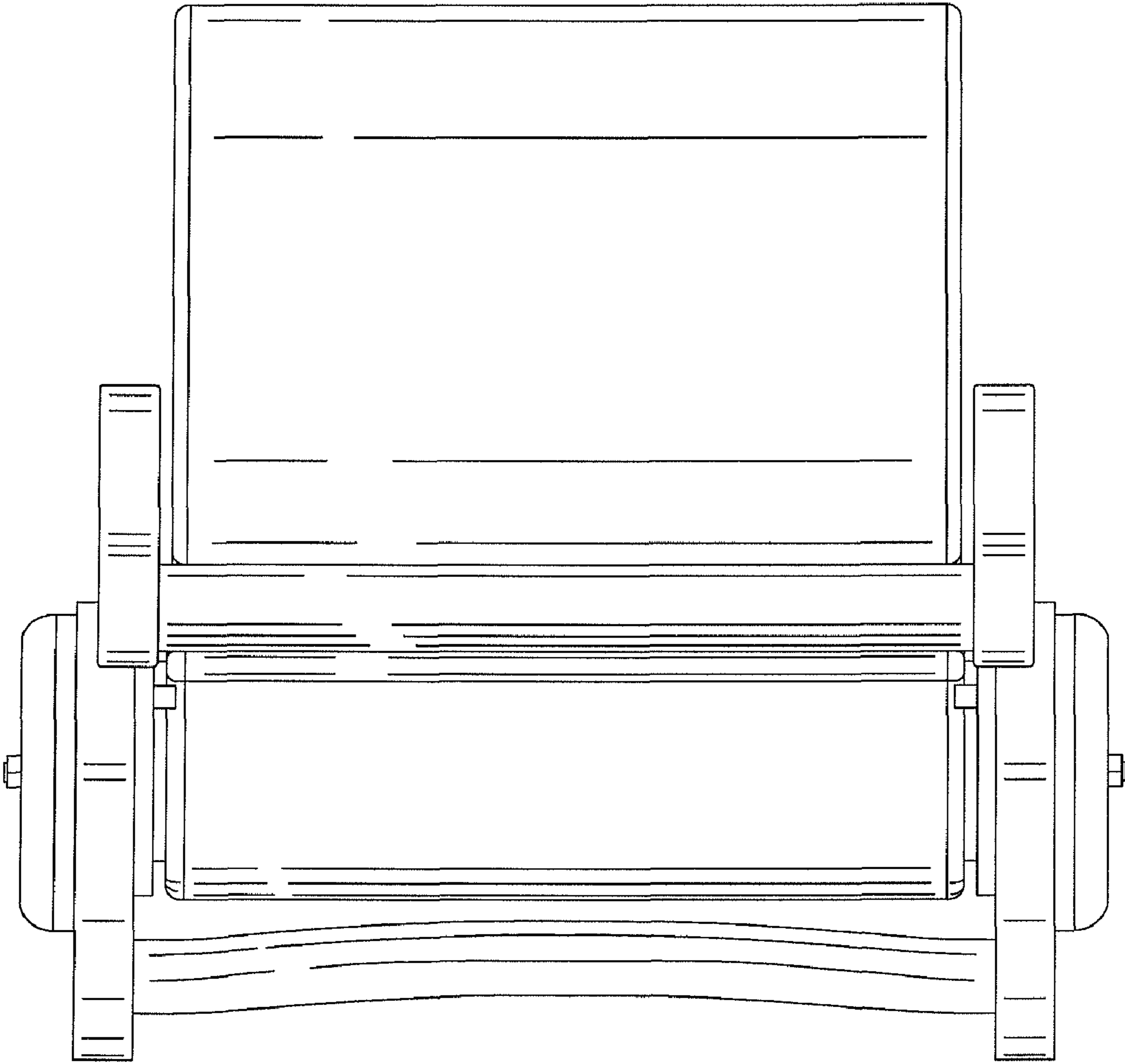


FIG. 6

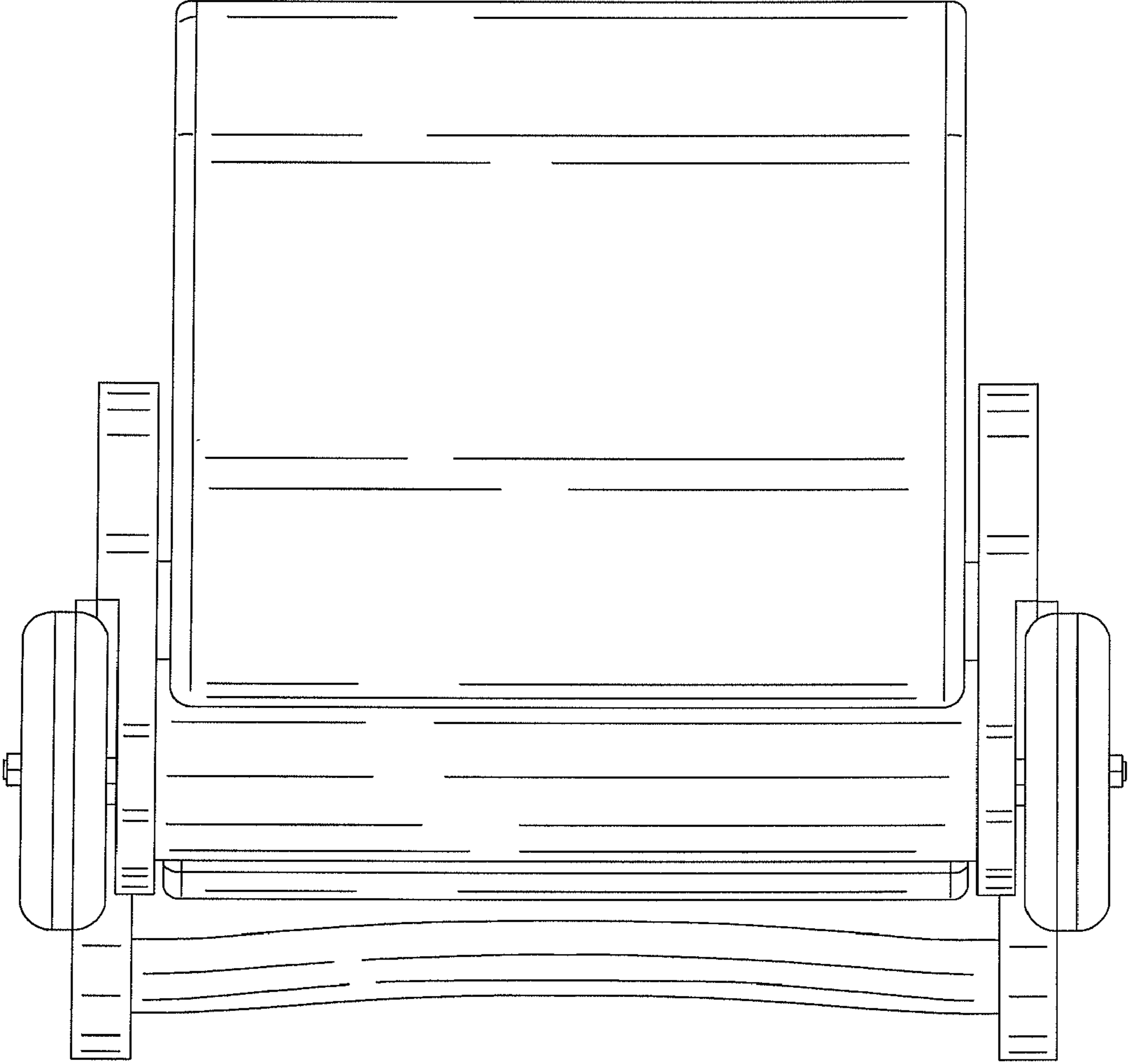


FIG. 7