



US00D618905S

(12) **United States Design Patent**  
**Watson**

(10) **Patent No.:** **US D618,905 S**  
(45) **Date of Patent:** **\*\* Jul. 6, 2010**

(54) **TAMPON CONTAINER THAT ADHERES TO TOILET**

(76) Inventor: **Molly Christopher Watson**, 4926  
Firestone Dr., College Station, TX (US)  
77845

(\*\*) Term: **14 Years**

(21) Appl. No.: **29/342,500**

(22) Filed: **Aug. 26, 2009**

(51) **LOC (9) Cl.** ..... **03-01**

(52) **U.S. Cl.** ..... **D3/203.5**

(58) **Field of Classification Search** ..... D3/215,  
D3/294, 201, 205, 203.1–203.8, 230, 219,  
D3/273, 295; D6/515; 206/37–38, 440,  
206/268–269, 811, 822; D27/144, 172–173,  
D27/189; 224/604; D9/420; 221/97, 281,  
221/283; 220/324, 849

See application file for complete search history.

(56) **References Cited**

**U.S. PATENT DOCUMENTS**

3,445,037	A	5/1969	Rothbaum	
4,308,974	A	1/1982	Jones	
D263,354	S	3/1982	Jones	
D309,067	S	7/1990	Arrias	
5,125,531	A *	6/1992	Wentz	..... 220/849
D347,732	S *	6/1994	Wentz	..... D3/294

D371,707	S	7/1996	Miles	
5,579,916	A	12/1996	Manko	
5,730,294	A	3/1998	Blosser et al.	
5,752,622	A	5/1998	Abell	
6,401,972	B1	6/2002	Schlattl	
D517,316	S *	3/2006	Tagliati et al.	..... D3/273
D606,307	S *	12/2009	Gauss	..... D3/294

\* cited by examiner

*Primary Examiner*—Catherine R Oliver

(74) *Attorney, Agent, or Firm*—Tomlinson & O’Connell, PC

(57) **CLAIM**

The ornamental design for a tampon container that adheres to toilet, as shown and described.

**DESCRIPTION**

FIG. 1 is a left side elevation view of the tampon container that adheres to toilet;

FIG. 2 is a right side elevation view thereof;

FIG. 3 is a rear elevation view thereof;

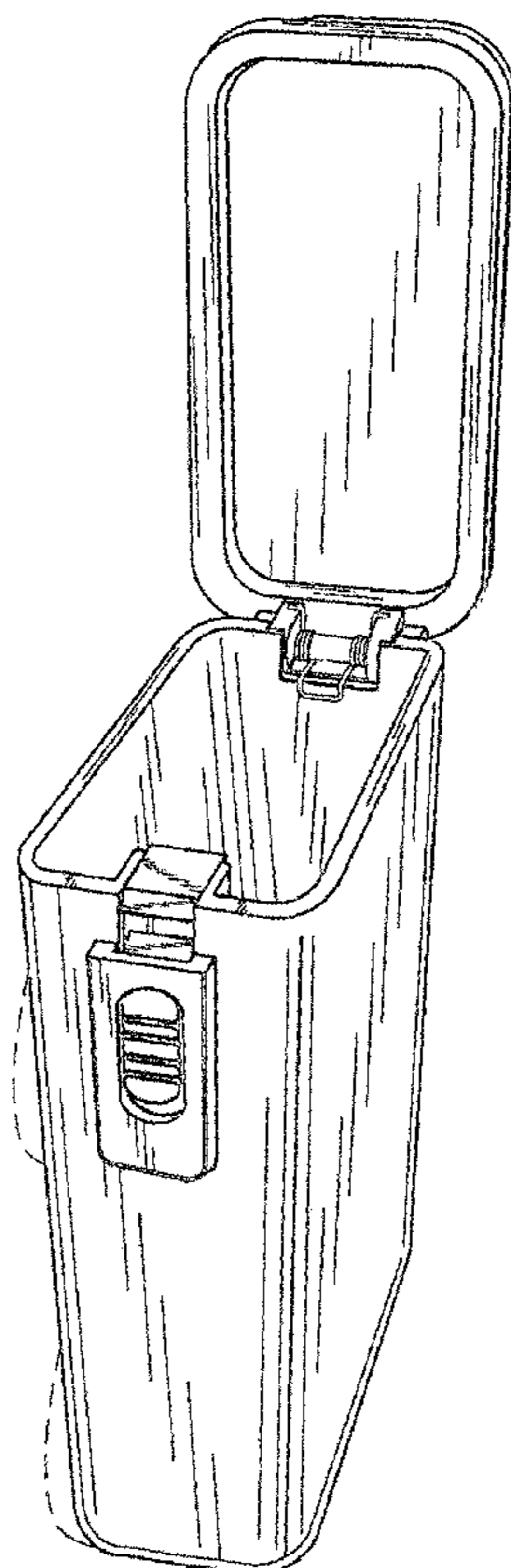
FIG. 4 is a front elevation view thereof;

FIG. 5 is a top plan view thereof; and,

FIG. 6 is a perspective view, with the top shown open.

The broken line showing of environment in the drawings is included for the purpose of illustrating only and forms no part of the claimed design.

**1 Claim, 5 Drawing Sheets**



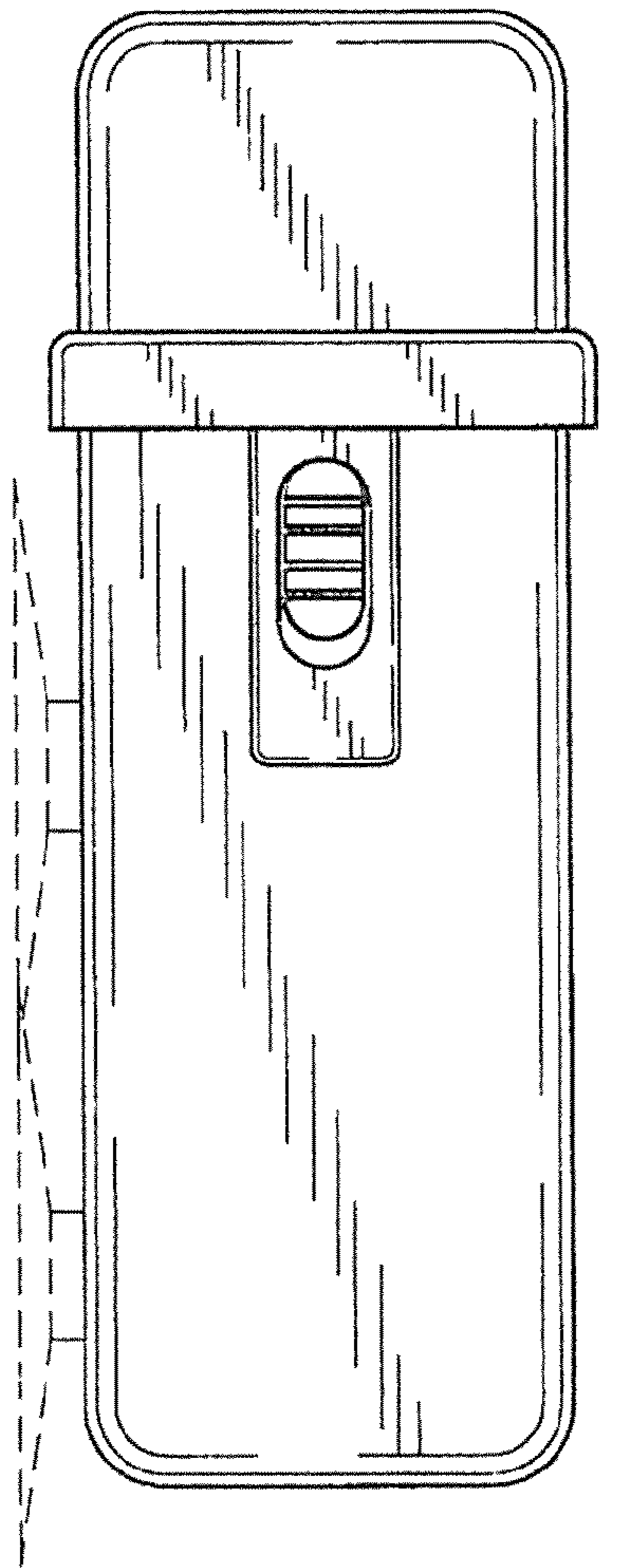


FIG. 1

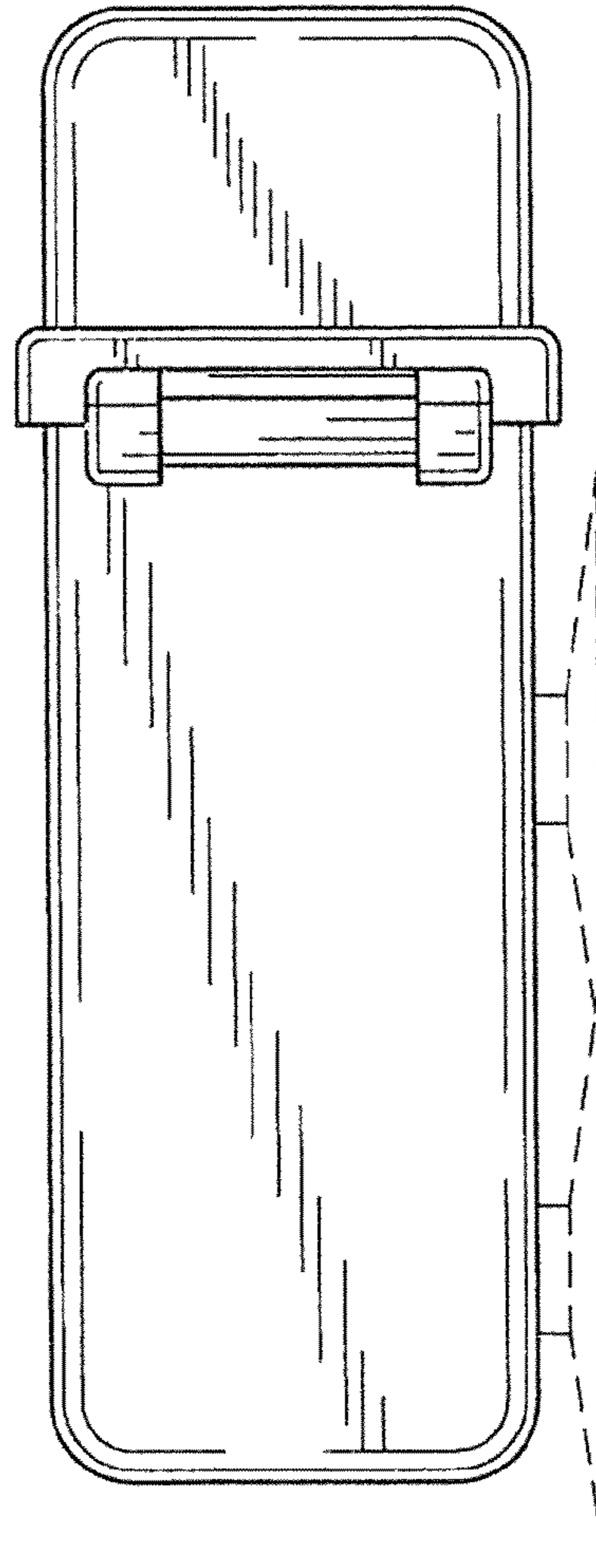


FIG. 2

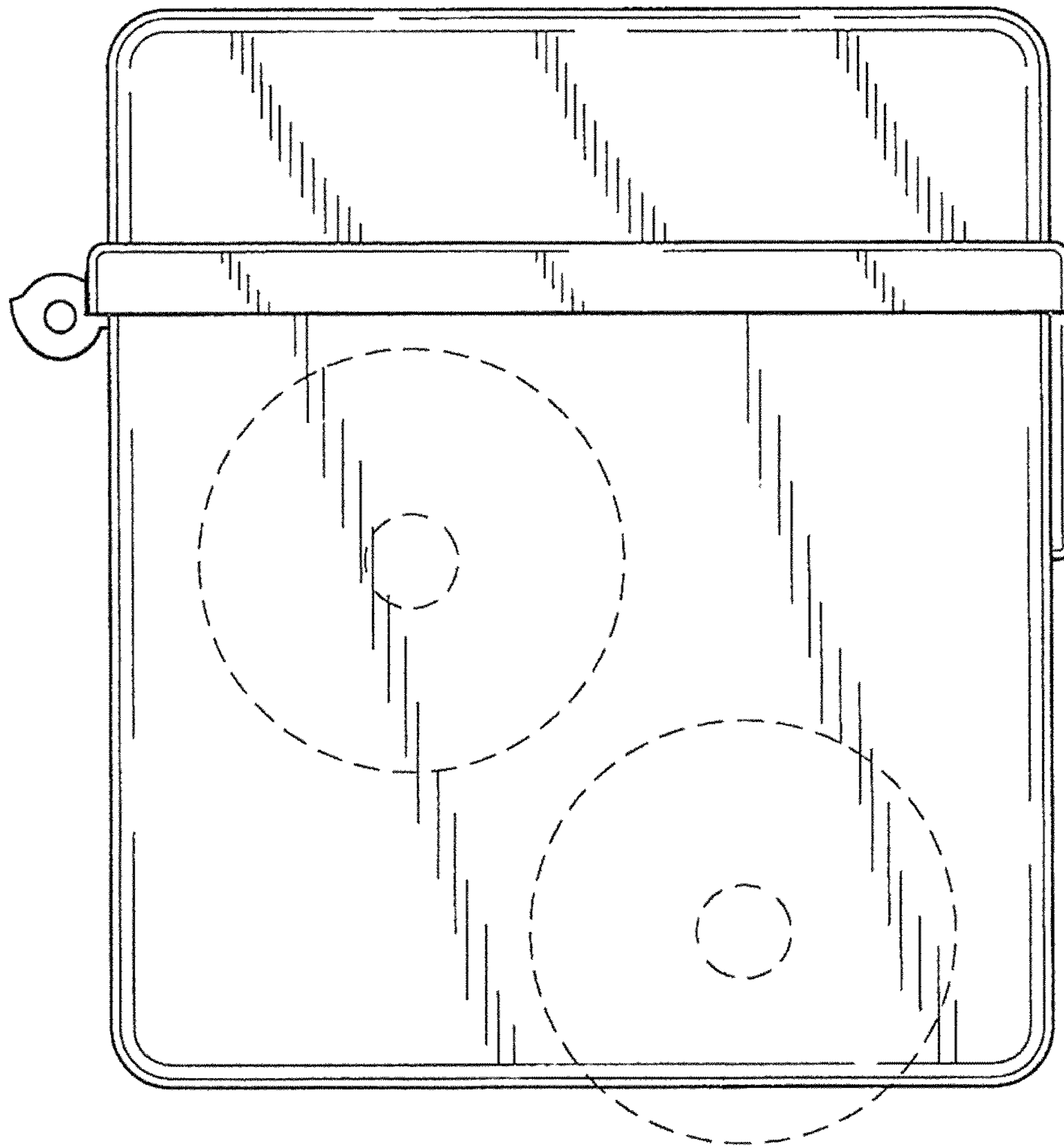


FIG. 3

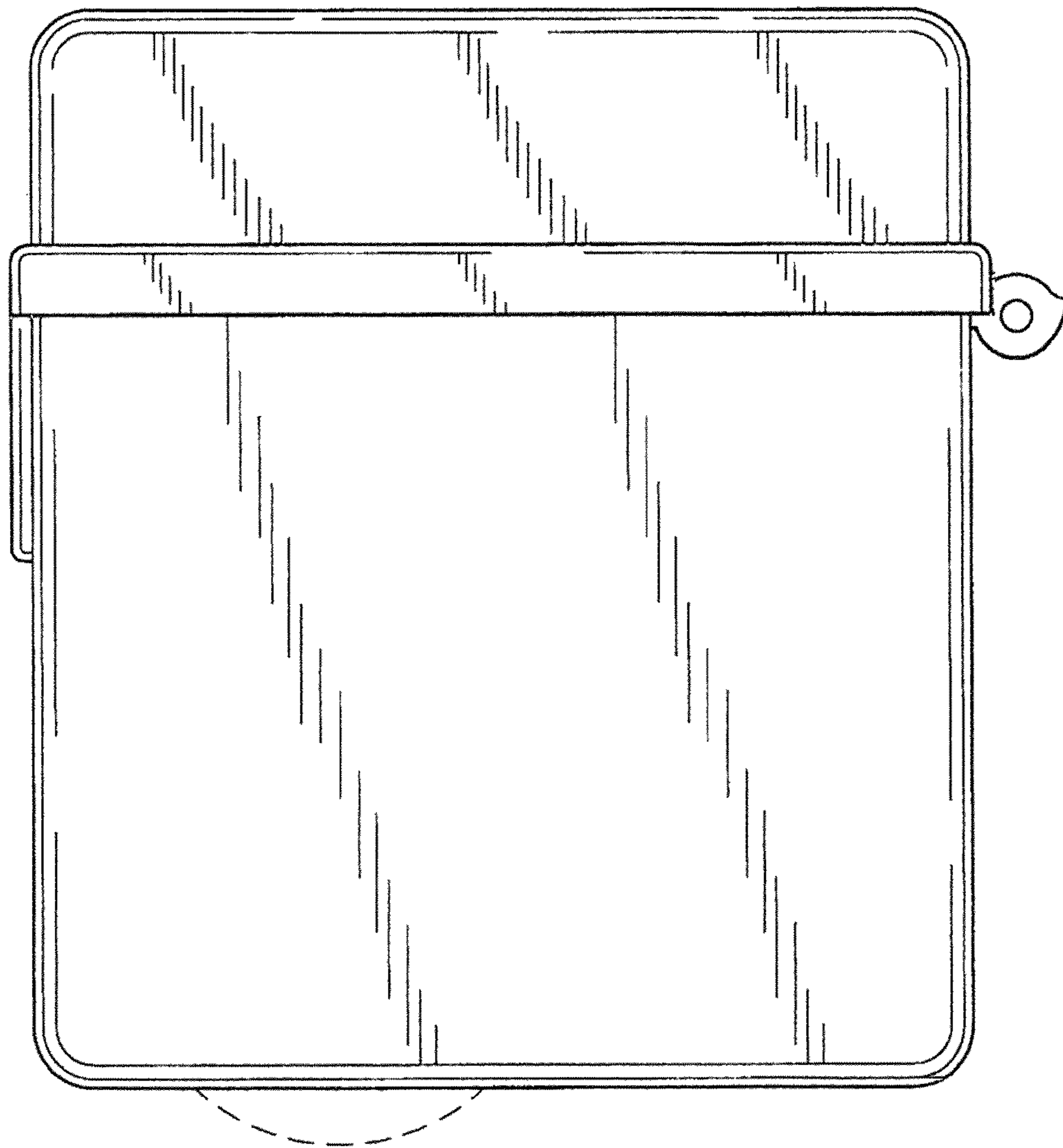


FIG. 4



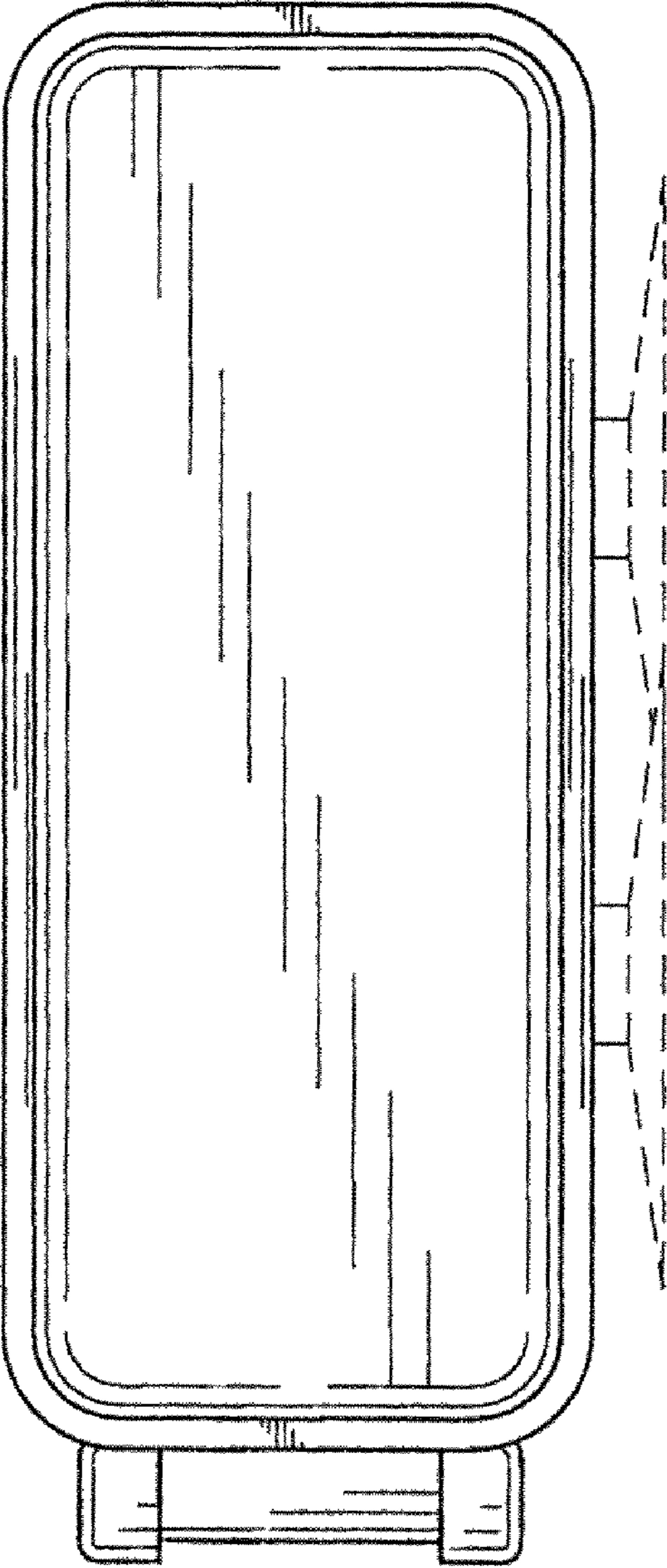


FIG. 5

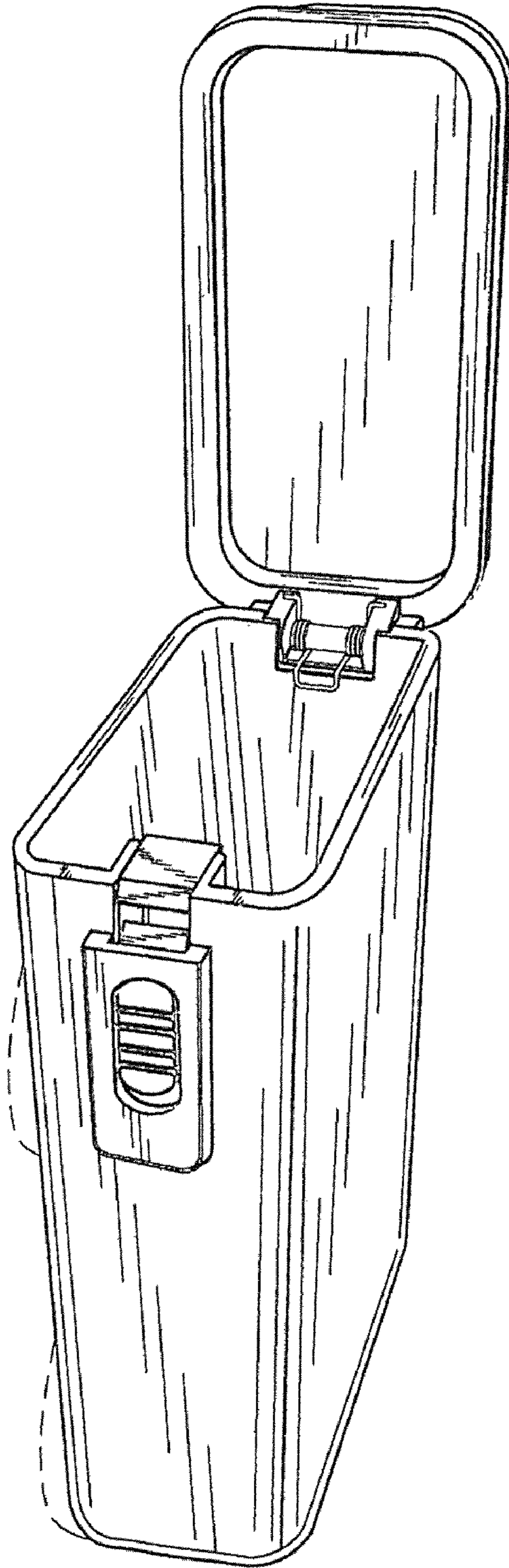


FIG. 5