



US00D618900S

(12) **United States Design Patent**  
**Leifeld et al.**

(10) **Patent No.:** **US D618,900 S**  
(45) **Date of Patent:** **\*\* Jul. 6, 2010**

(54) **PILL DISPENSER CARTRIDGE**

OTHER PUBLICATIONS

(75) Inventors: **Sabine Leifeld**, Berlin (DE); **Heike Ranze**, Berlin (DE); **Parviz Bazargani**, Hamburg (DE)

U.S. Appl. No. 29/339,012, Leifeld.

\* cited by examiner

(73) Assignee: **Bayer Schering Pharma AG**,  
Leverkusen (DE)

*Primary Examiner*—Catherine R Oliver  
(74) *Attorney, Agent, or Firm*—Connolly Bove Lodge & Hutz  
LLP

(\*\*) Term: **14 Years**

(57) **CLAIM**

(21) Appl. No.: **29/339,010**

The ornamental design for a pill dispenser cartridge, as shown and described.

(22) Filed: **Jun. 23, 2009**

(30) **Foreign Application Priority Data**

**DESCRIPTION**

Dec. 23, 2008 (EM) ..... 001062087-00003

(51) **LOC (9) Cl.** ..... **03-01**

(52) **U.S. Cl.** ..... **D3/203.2**

(58) **Field of Classification Search** ..... D3/201–205;  
206/528–540; 224/223; 222/325–326; 604/111,  
604/187, 197–198, 232

See application file for complete search history.

FIG. 1 illustrates a perspective view of a pill dispenser cartridge;

FIG. 2 illustrates a top plan view of a pill dispenser cartridge;

FIG. 3 illustrates a bottom plan view of a pill dispenser cartridge;

FIG. 4 illustrates a left side elevation view of a pill dispenser cartridge;

FIG. 5 illustrates a right side elevation view of a pill dispenser cartridge;

FIG. 6 illustrates a front elevation view of a pill dispenser cartridge; and,

FIG. 7 illustrates a rear elevation view of a pill dispenser cartridge.

(56) **References Cited**

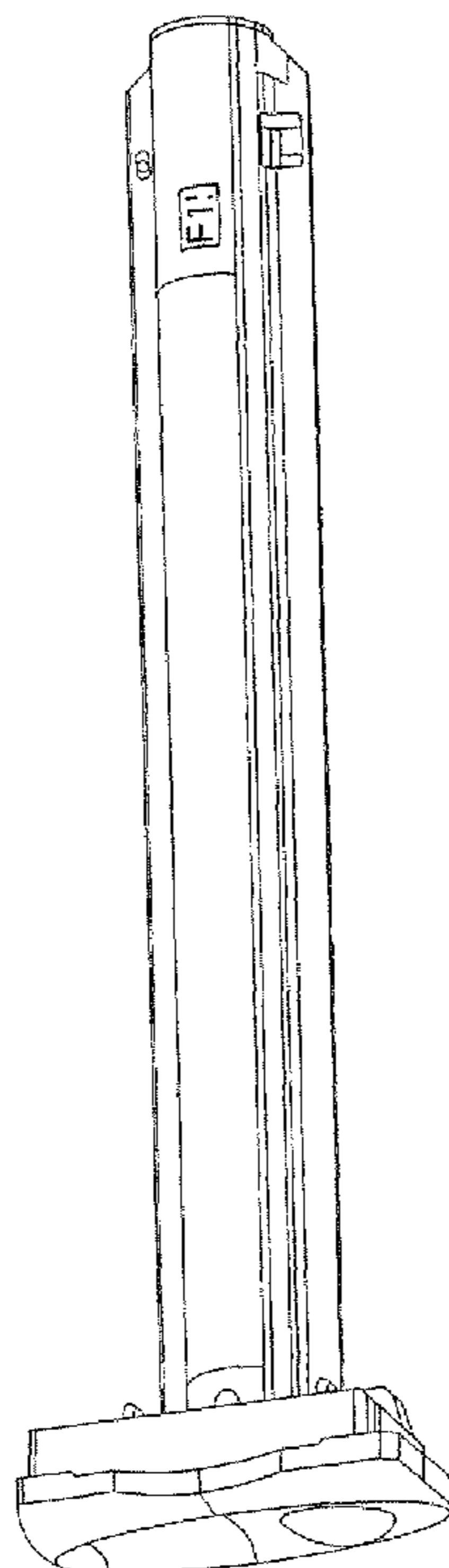
U.S. PATENT DOCUMENTS

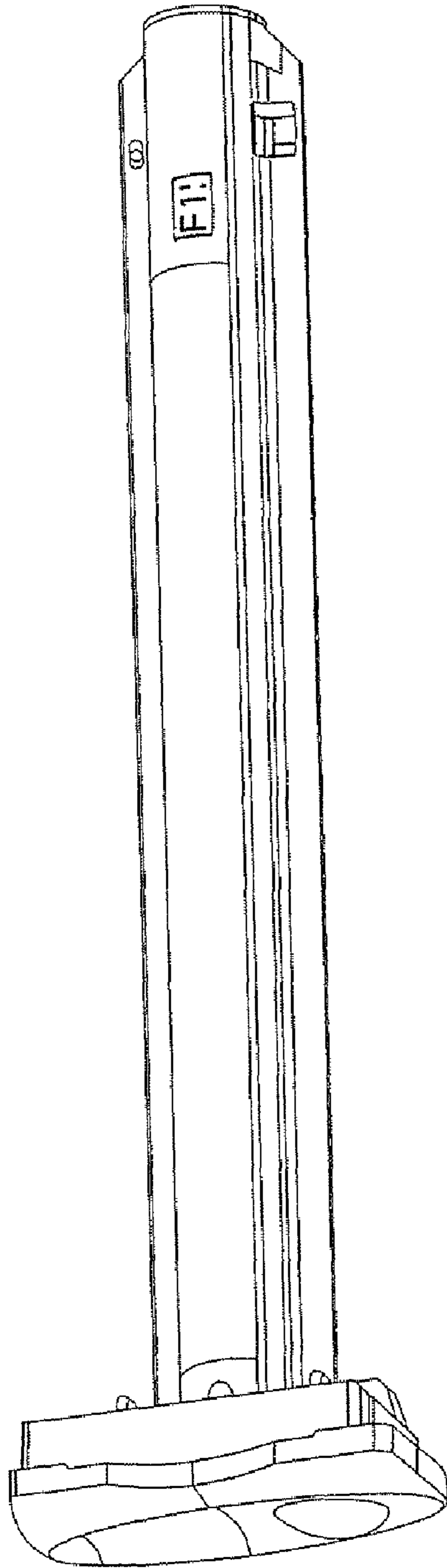
3,687,336 A 8/1972 Gayle  
D274,040 S \* 5/1984 Ridgley ..... D3/203.3  
6,656,163 B1 \* 12/2003 Marshall et al. .... 222/325  
6,889,869 B2 5/2005 Hallin  
2004/0074917 A1 4/2004 McHutchinson

FOREIGN PATENT DOCUMENTS

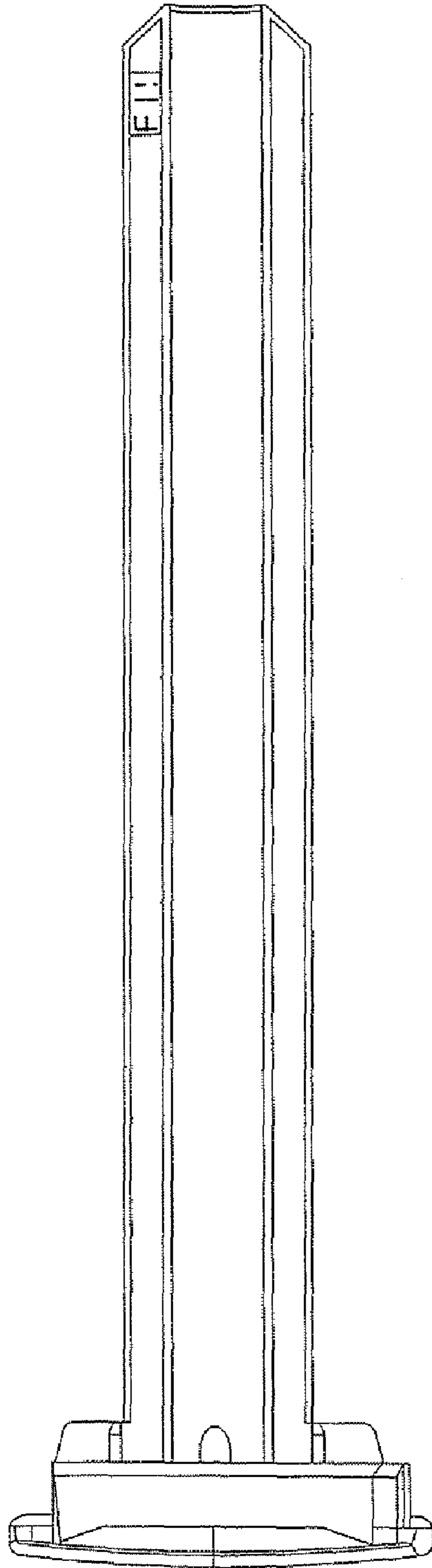
WO WO-01/85571 A1 11/2001

**1 Claim, 7 Drawing Sheets**

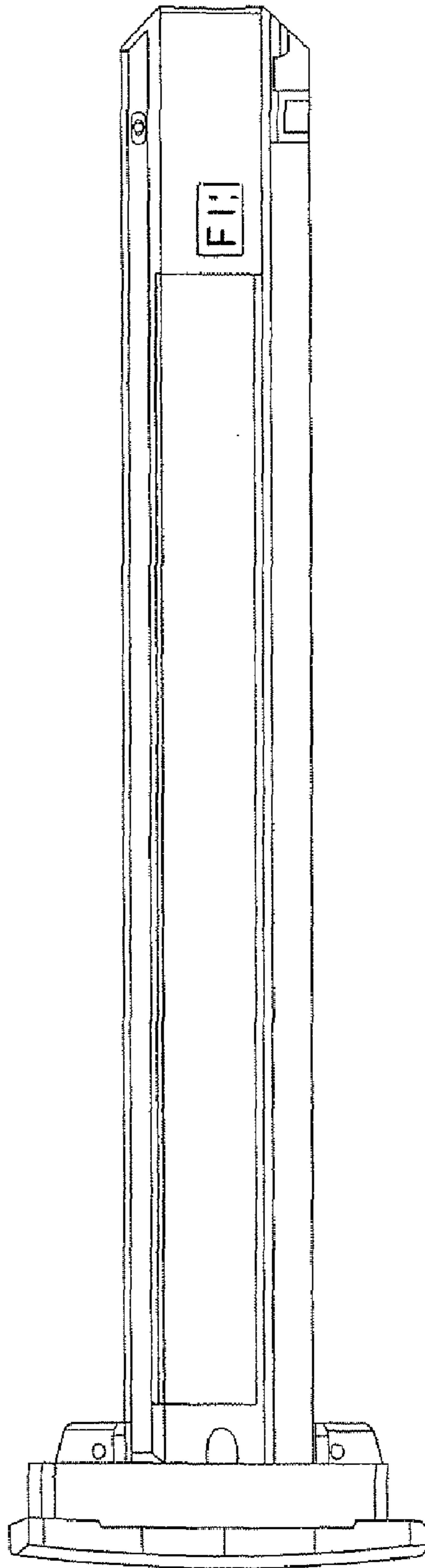




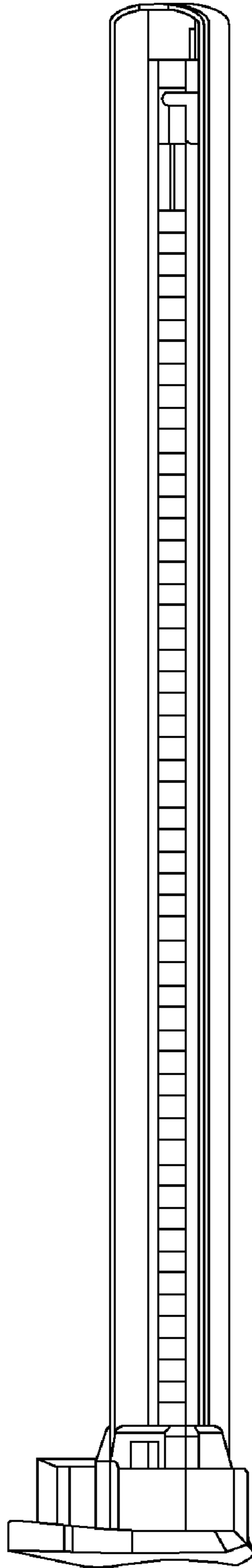
***FIG. 1***



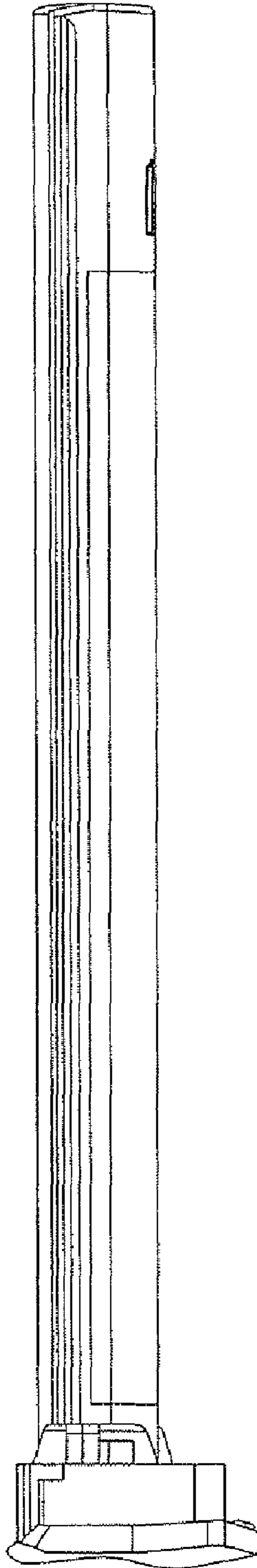
**FIG. 2**



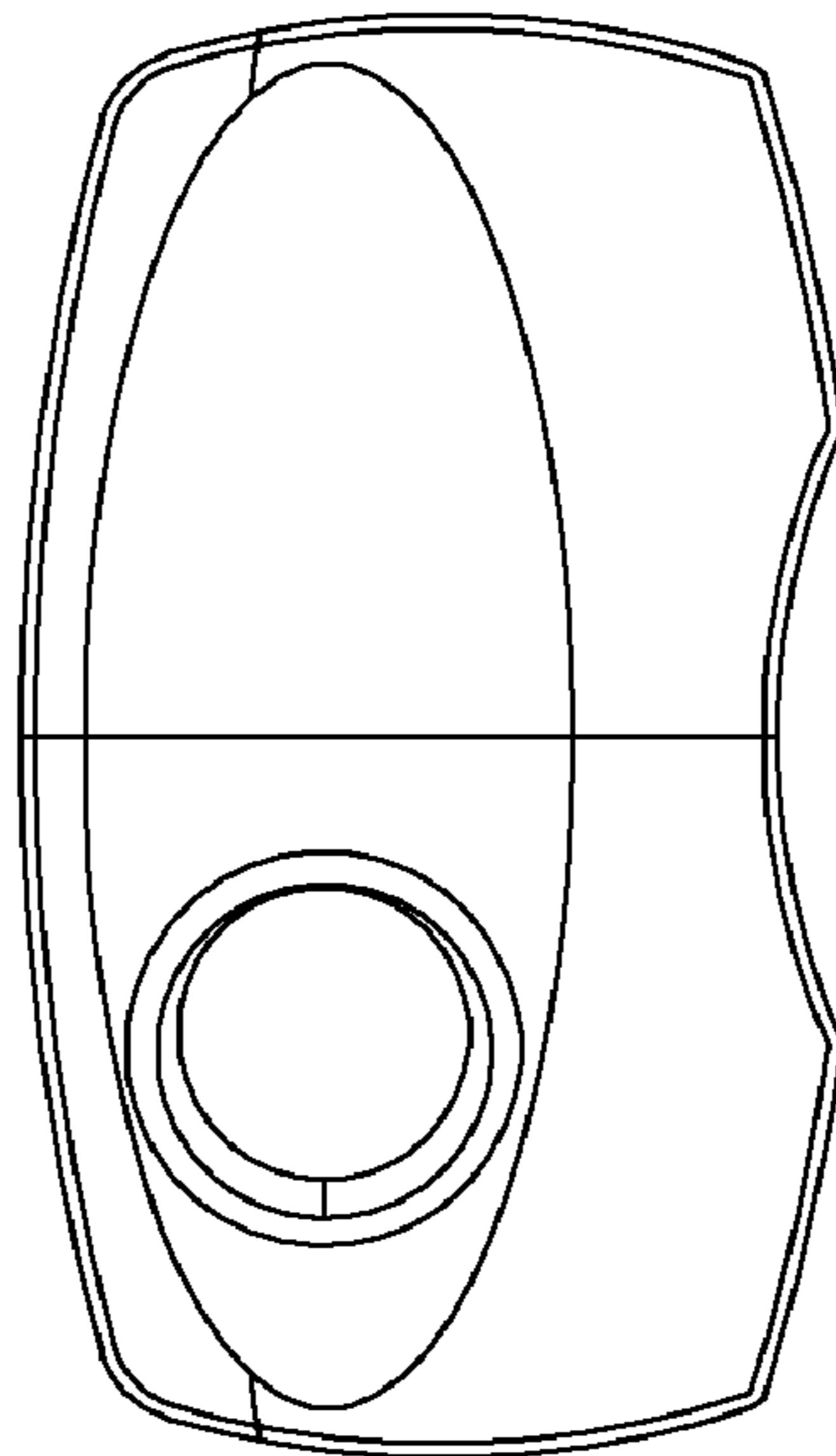
*FIG. 3*



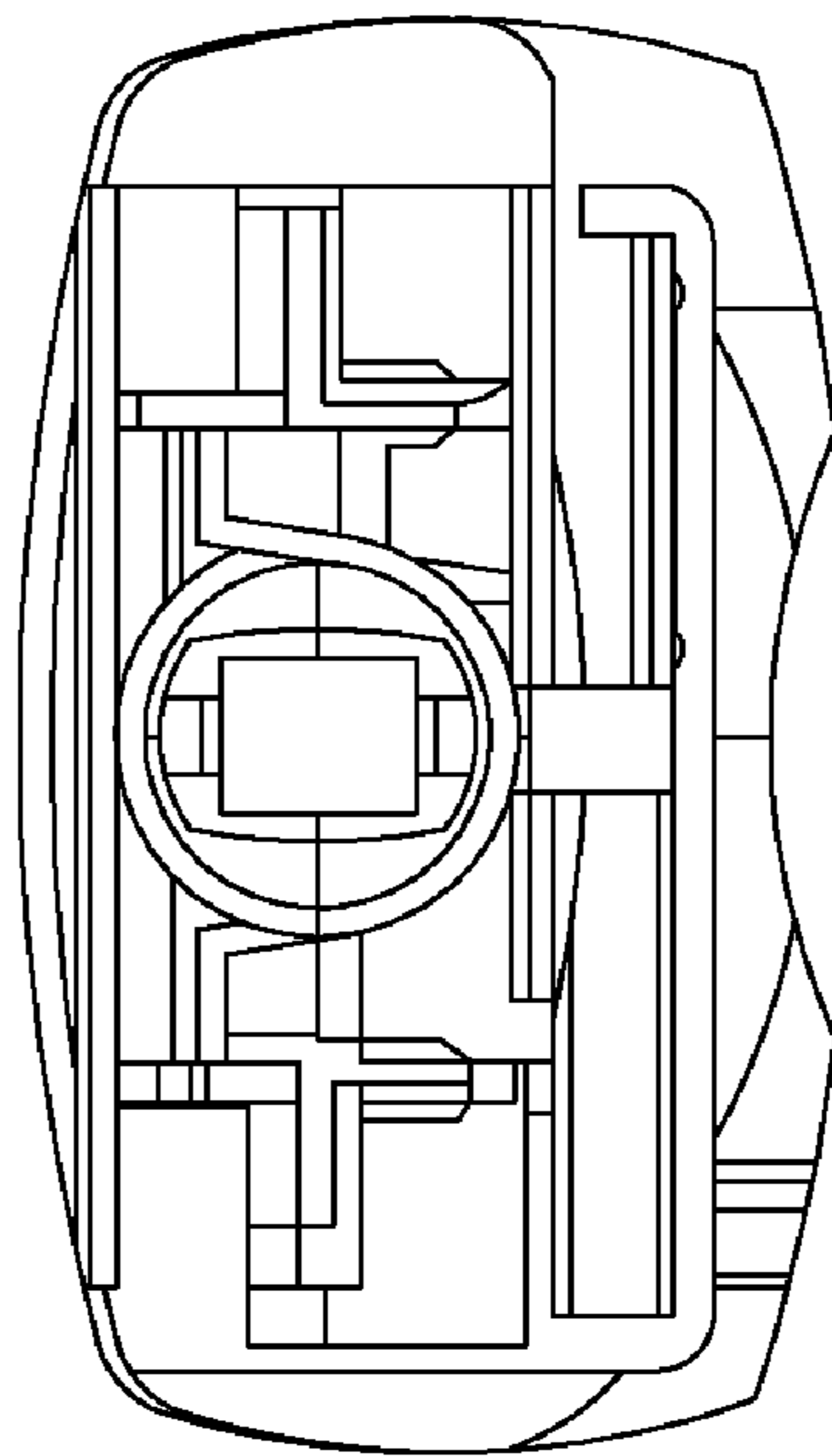
***FIG. 4***



*FIG. 5*



***FIG. 6***



***FIG. 7***