



US00D618887S

(12) **United States Design Patent**  
**Peck**

(10) **Patent No.:** **US D618,887 S**

(45) **Date of Patent:** **\*\* Jul. 6, 2010**

(54) **BIB WITH TACTILE FEATURES**

(76) Inventor: **Paige T. Peck**, 310 Dunbarton Dr., Saint Simons Island, GA (US) 31522-1054

(\*\*) Term: **14 Years**

(21) Appl. No.: **29/330,309**

(22) Filed: **Jan. 5, 2009**

(51) **LOC (9) Cl.** ..... **02-02**

(52) **U.S. Cl.** ..... **D2/861**

(58) **Field of Classification Search** ..... D2/860-864,  
D2/872, 876, 882, 893; 2/46, 48-49.2  
See application file for complete search history.

(56) **References Cited**

U.S. PATENT DOCUMENTS

217,500	A	*	7/1879	White	.....	2/12
4,780,911	A	*	11/1988	Mack	.....	2/49.1
D313,883	S	*	1/1991	Fleming	.....	D2/861
5,265,165	A	*	11/1993	Rauch	.....	381/309
D346,268	S	*	4/1994	Loranger	.....	D2/864
D423,194	S	*	4/2000	Shwartz	.....	D2/876
D424,786	S	*	5/2000	Williams et al.	.....	D2/728
D507,092	S	*	7/2005	Kim	.....	D2/876

FOREIGN PATENT DOCUMENTS

AU	129366	S	*	3/1997
JP	2006299431	A	*	11/2006

\* cited by examiner

*Primary Examiner*—Ian Simmons

*Assistant Examiner*—R. Johnson

(74) *Attorney, Agent, or Firm*—Jonathan R. Smith

(57) **CLAIM**

The ornamental design for a bib with tactile features, as shown and described.

**DESCRIPTION**

FIG. 1 is a front view of the first and second embodiments of the invention. The hatched shading represents cloth.

FIG. 2 is a bottom view of the first and second embodiments of the invention.

FIG. 3 is a top view of the first embodiment of the invention.

FIG. 4 is a rear view of the first embodiment of the invention. The linear shading represents a flexible impermeable material.

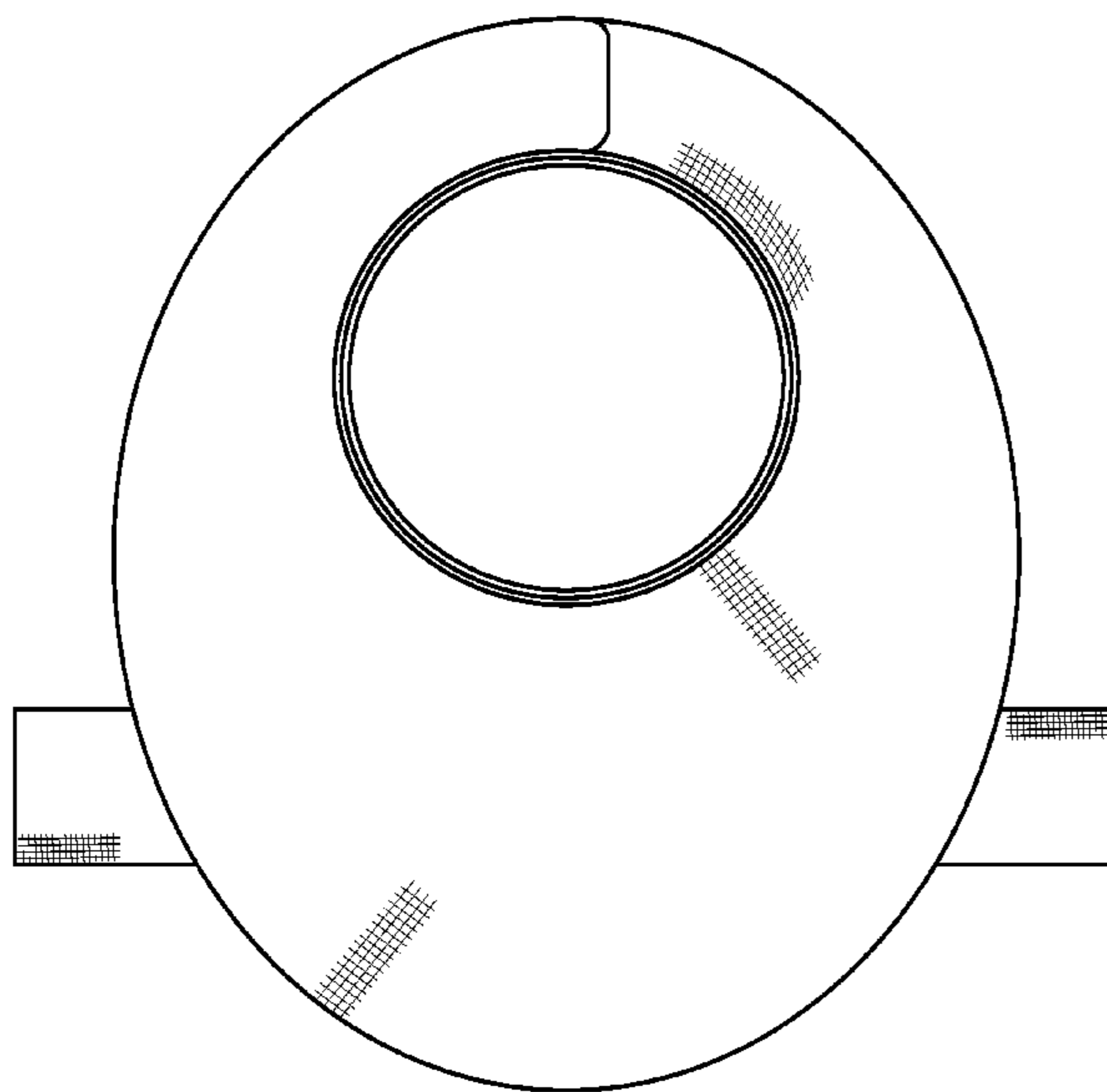
FIG. 5 is a left side view of the first and second embodiments of the invention.

FIG. 6 is a right side view of the first and second embodiments of the invention.

FIG. 7 is a top view of the second embodiment of the invention. The second embodiment differs from the first only in that the second embodiment has cloth on both the back and the front; and,

FIG. 8 is a rear view of the second embodiment of the invention.

**1 Claim, 4 Drawing Sheets**



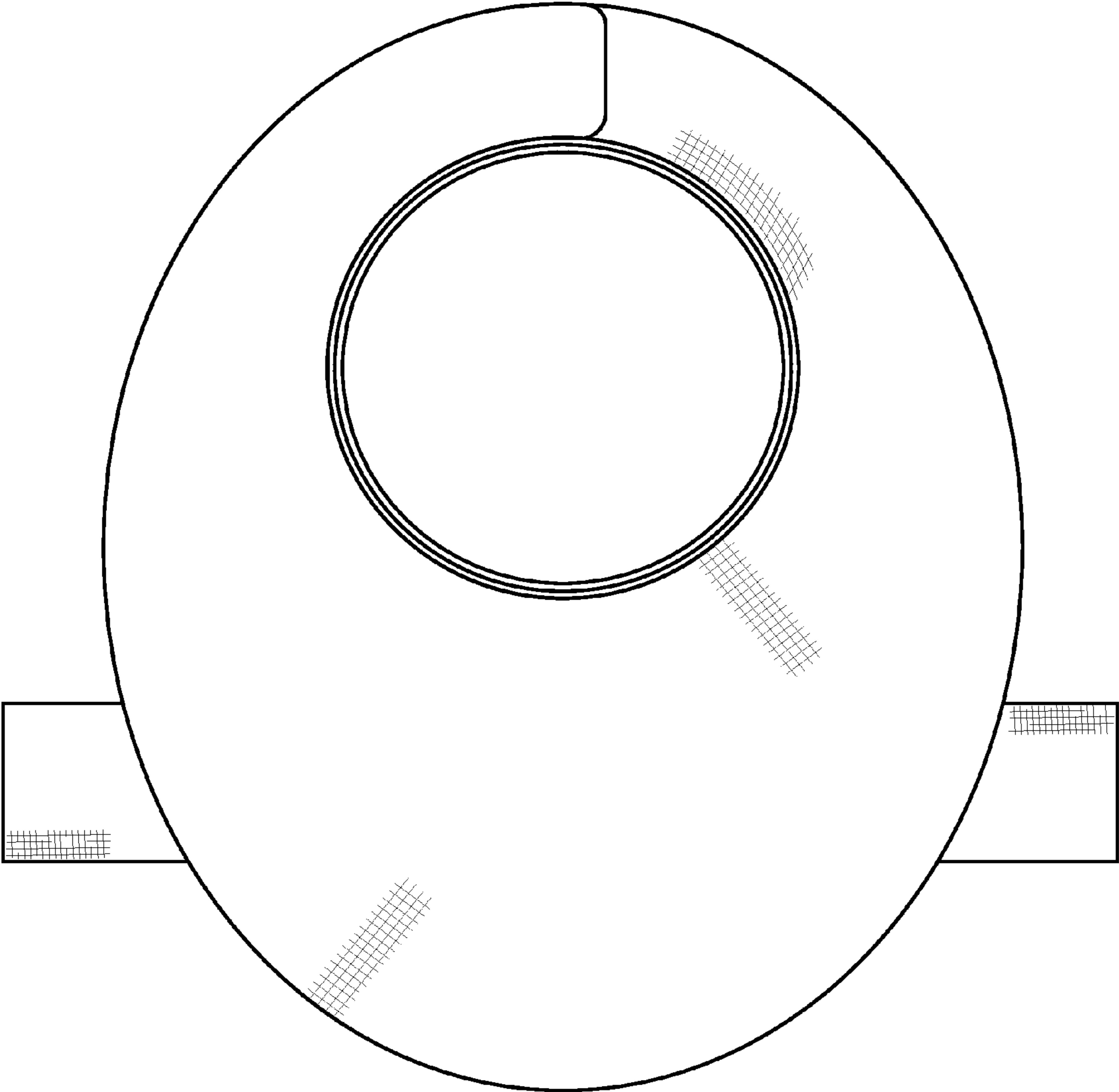


Fig. 1

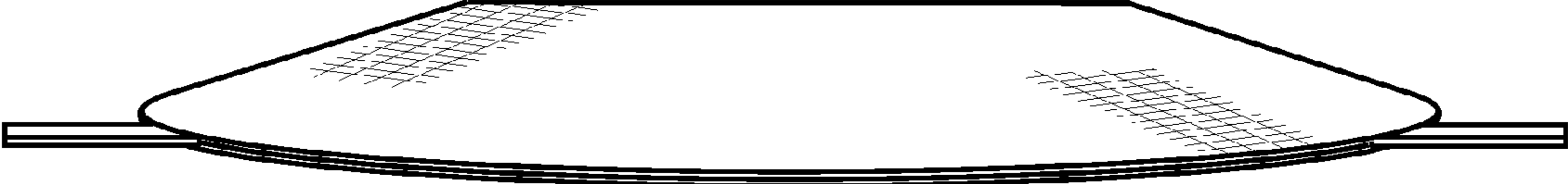


Fig. 2

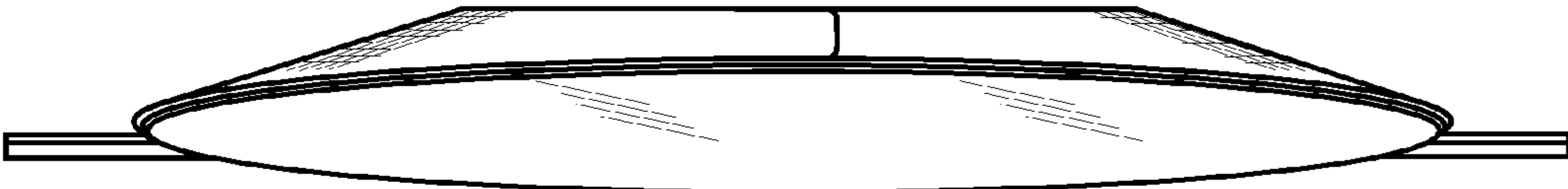


Fig. 3

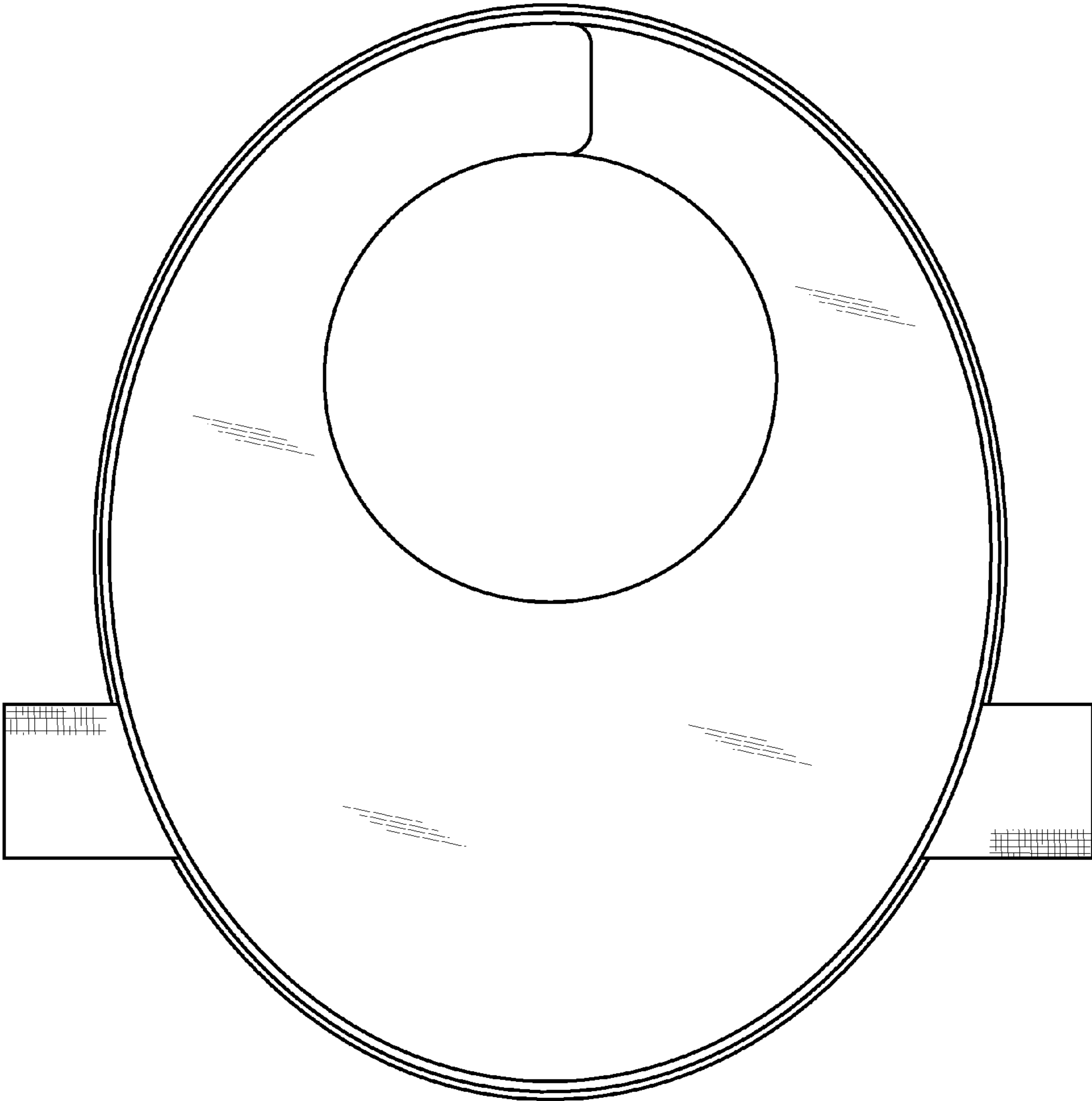


Fig. 4

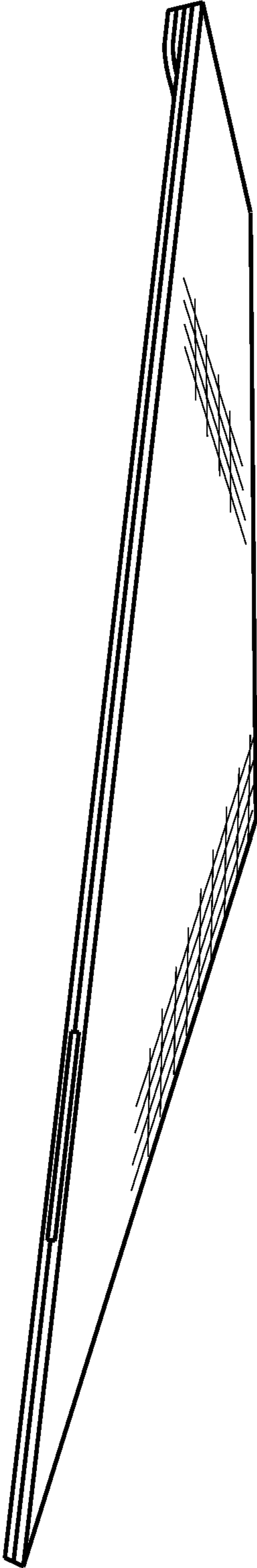


Fig. 5

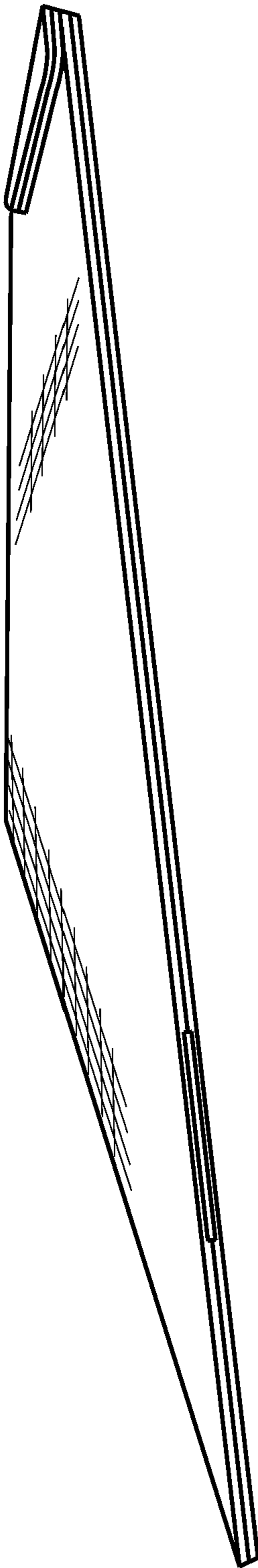


Fig. 6

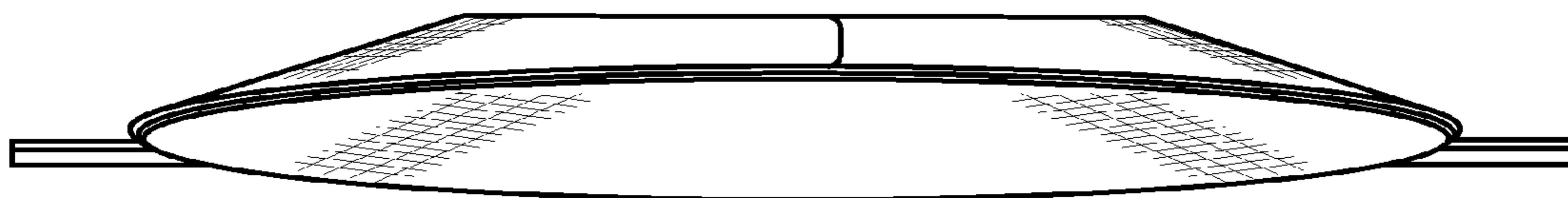


Fig. 7

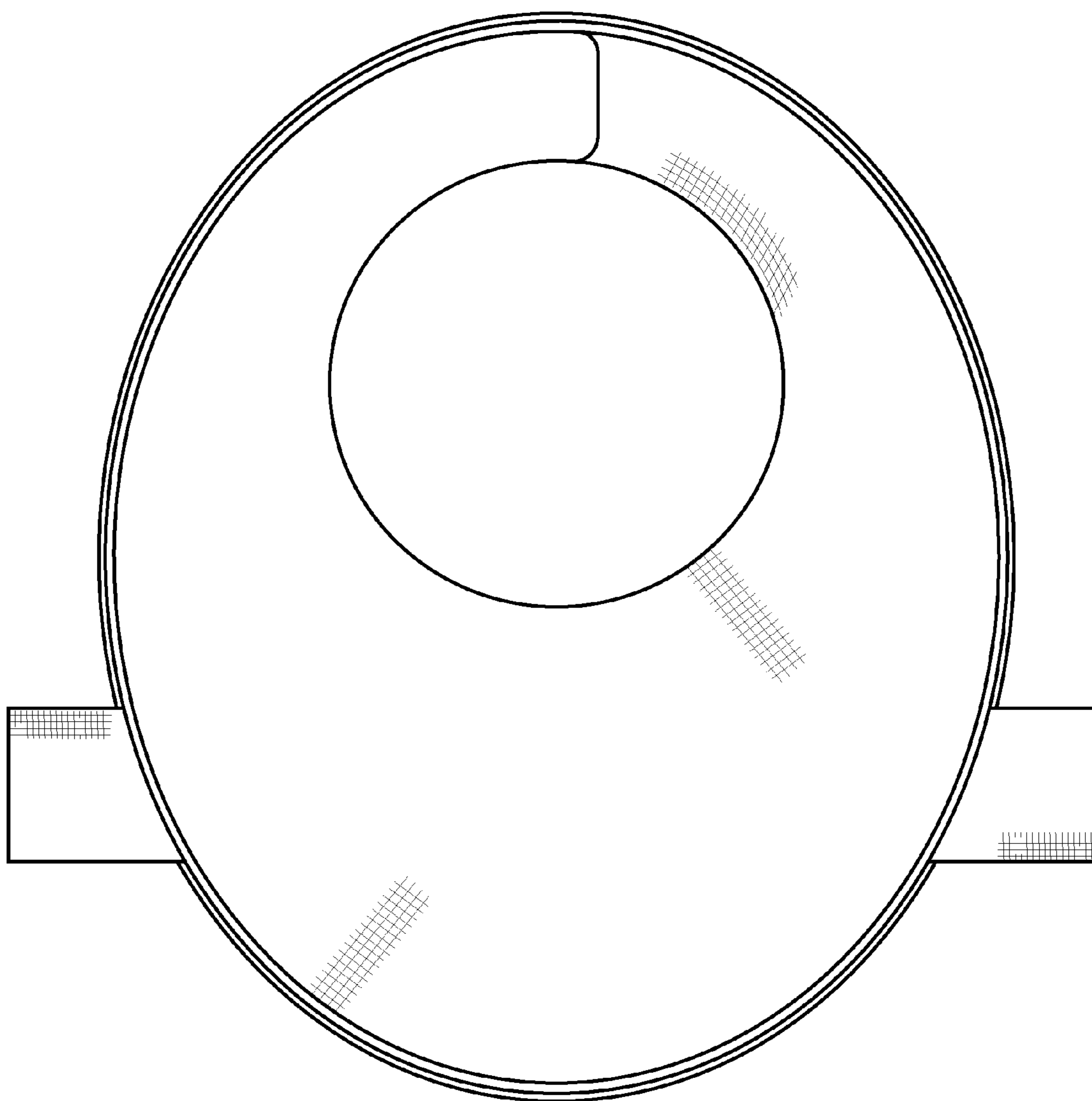


Fig. 8