



US00D618875S

(12) **United States Design Patent**  
**Tougo et al.**

(10) **Patent No.:** **US D618,875 S**  
(45) **Date of Patent:** **\*\* Jun. 29, 2010**

(54) **BANKNOTE HANDLING MACHINE**  
(75) Inventors: **Hirofumi Tougo**, Himeji (JP); **Takayuki Kuroda**, Himeji (JP)  
(73) Assignee: **Glory Ltd.**, Himeji-Shi, Hyogo-Ken (JP)  
(\*\*) Term: **14 Years**  
(21) Appl. No.: **29/316,552**  
(22) Filed: **Oct. 8, 2009**

D541,505 S \* 4/2007 Kang et al. .... D99/28  
D562,377 S \* 2/2008 Kuroda ..... D18/3.3  
D590,870 S \* 4/2009 Kuwada ..... D18/3.3  
D592,825 S \* 5/2009 Kang et al. .... D99/28  
D596,373 S \* 7/2009 Kang et al. .... D99/28

\* cited by examiner

*Primary Examiner*—Philip S Hyder  
*Assistant Examiner*—Susan E Krakower  
(74) *Attorney, Agent, or Firm*—Renner, Kenner, Greive, Bobak, Taylor & Weber

(51) **LOC (9) Cl.** ..... **20-01**  
(52) **U.S. Cl.** ..... **D99/28; D18/3.3**  
(58) **Field of Classification Search** ..... D99/28,  
D99/35, 43, 99; D18/3.1, 3.3, 12.1; D20/1,  
D20/2; D14/125, 129–130, 308, 387, 900;  
D25/7, 10, 16; D21/109, 329, 369, 370;  
109/2, 7, 9, 24.1, 25, 28, 38–39, 45, 47–50,  
109/54, 59 T, 66, 70; 235/379; 220/258.2,  
220/258.5, 729; D6/397, 450, 457, 470,  
D6/510; D3/272–273, 294; 70/63; 340/568.1,  
340/570

(57) **CLAIM**

The ornamental design for a banknote handling machine, as shown and described.

See application file for complete search history.

**DESCRIPTION**

FIG. 1 is a front, top, left side perspective view of a banknote handling machine showing our new design;  
FIG. 2 is a front elevational view thereof;  
FIG. 3 is a top plan view thereof;  
FIG. 4 is a right side elevational view thereof;  
FIG. 5 is a left side elevational view thereof;  
FIG. 6 is a rear elevational view thereof;  
FIG. 7 is a bottom plan view thereof; and,  
FIG. 8 is a front, top, right side perspective view thereof.

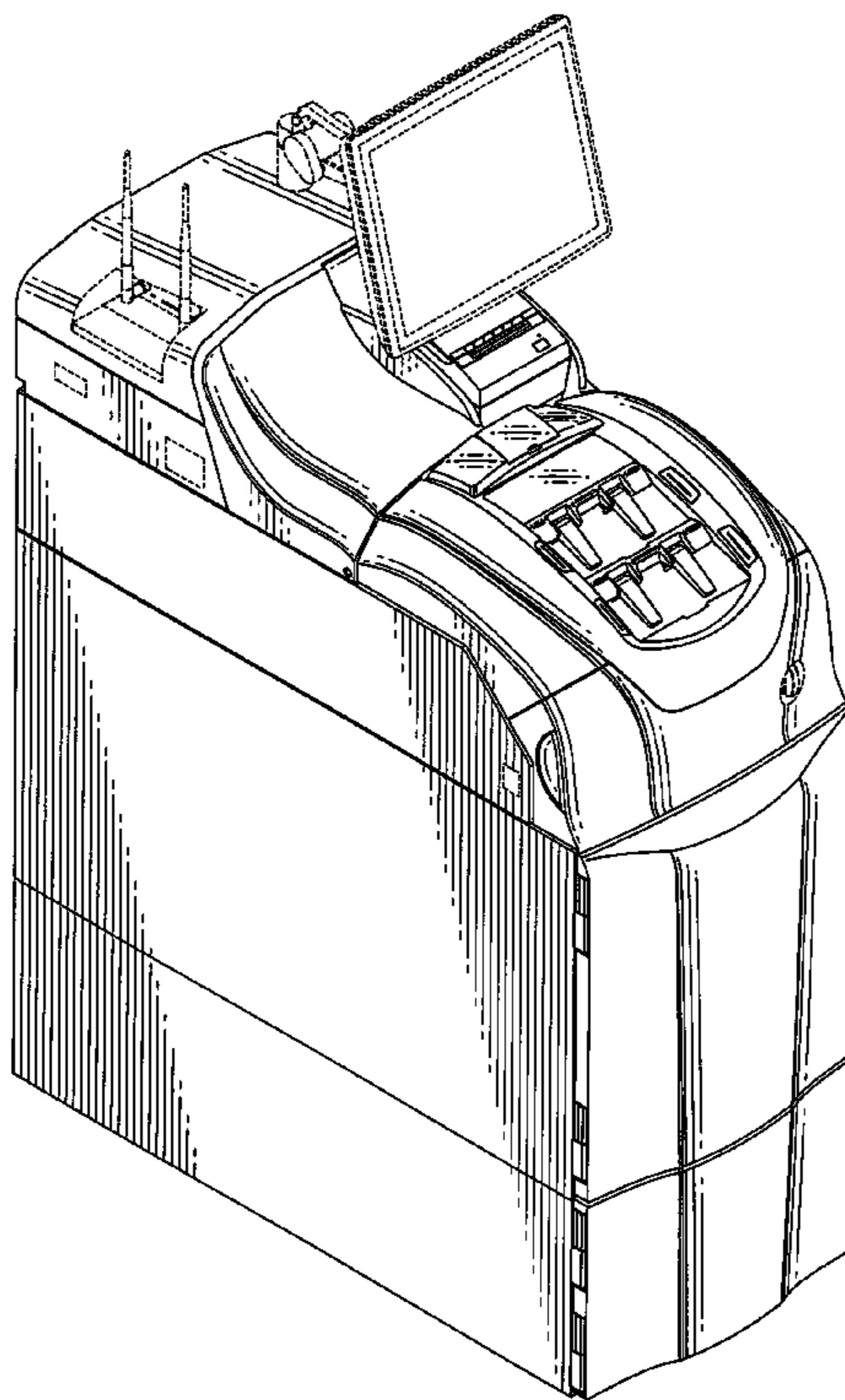
The broken lines are shown for illustrative purpose only and form no part of the claimed design.

(56) **References Cited**

**U.S. PATENT DOCUMENTS**

D385,674 S \* 10/1997 Sugawara et al. .... D99/28  
D427,742 S \* 7/2000 McCormack et al. .... D99/28  
D431,708 S \* 10/2000 McCormack et al. .... D99/28  
D445,124 S \* 7/2001 Naito ..... D18/3.3  
D454,421 S \* 3/2002 Jeon et al. .... D99/28  
D529,255 S \* 9/2006 Sato ..... D99/28

**1 Claim, 8 Drawing Sheets**



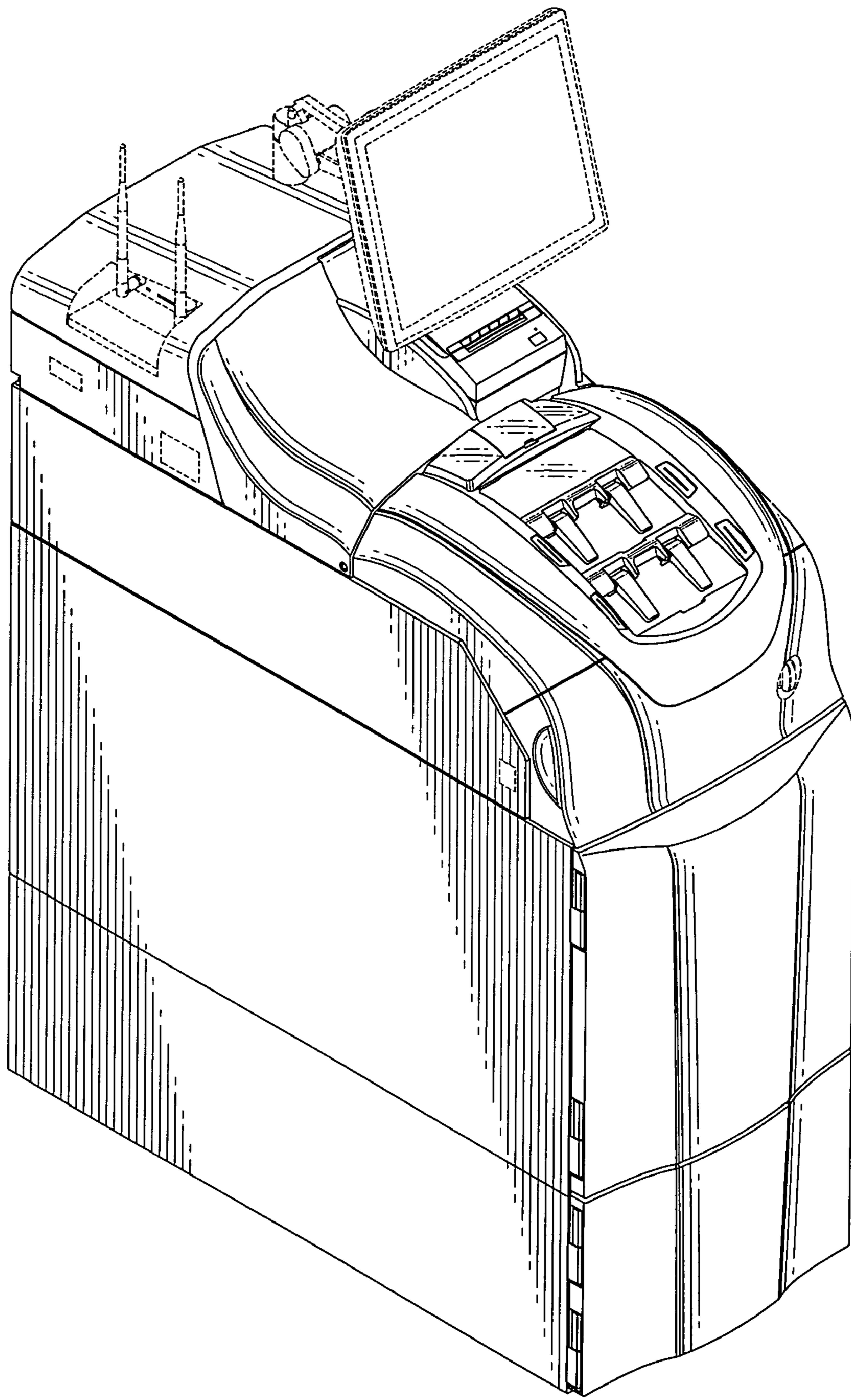


FIG. 1

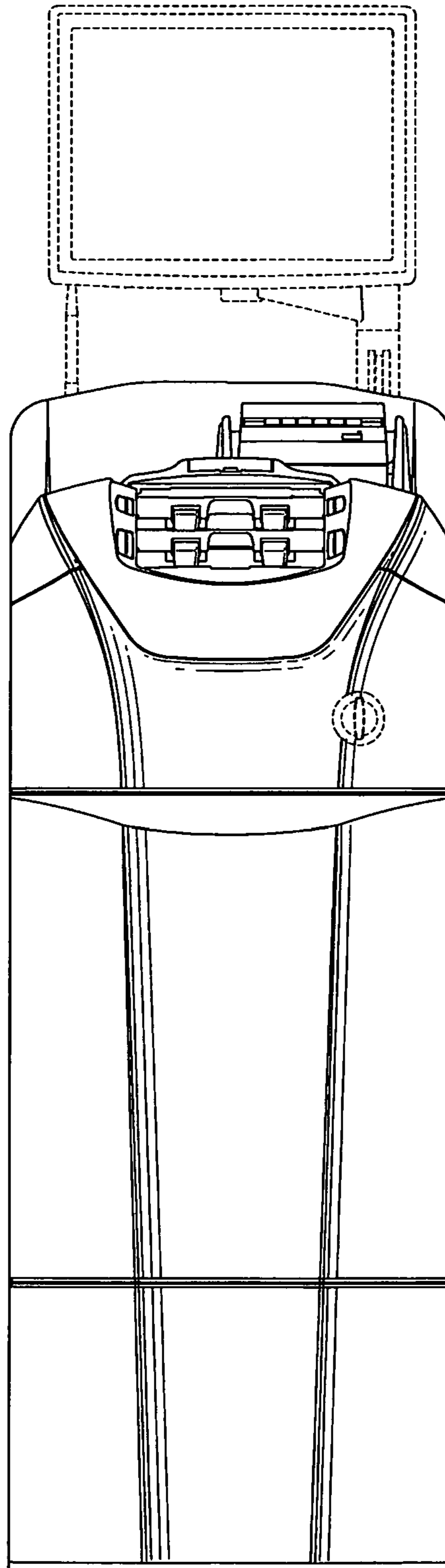


FIG. 2

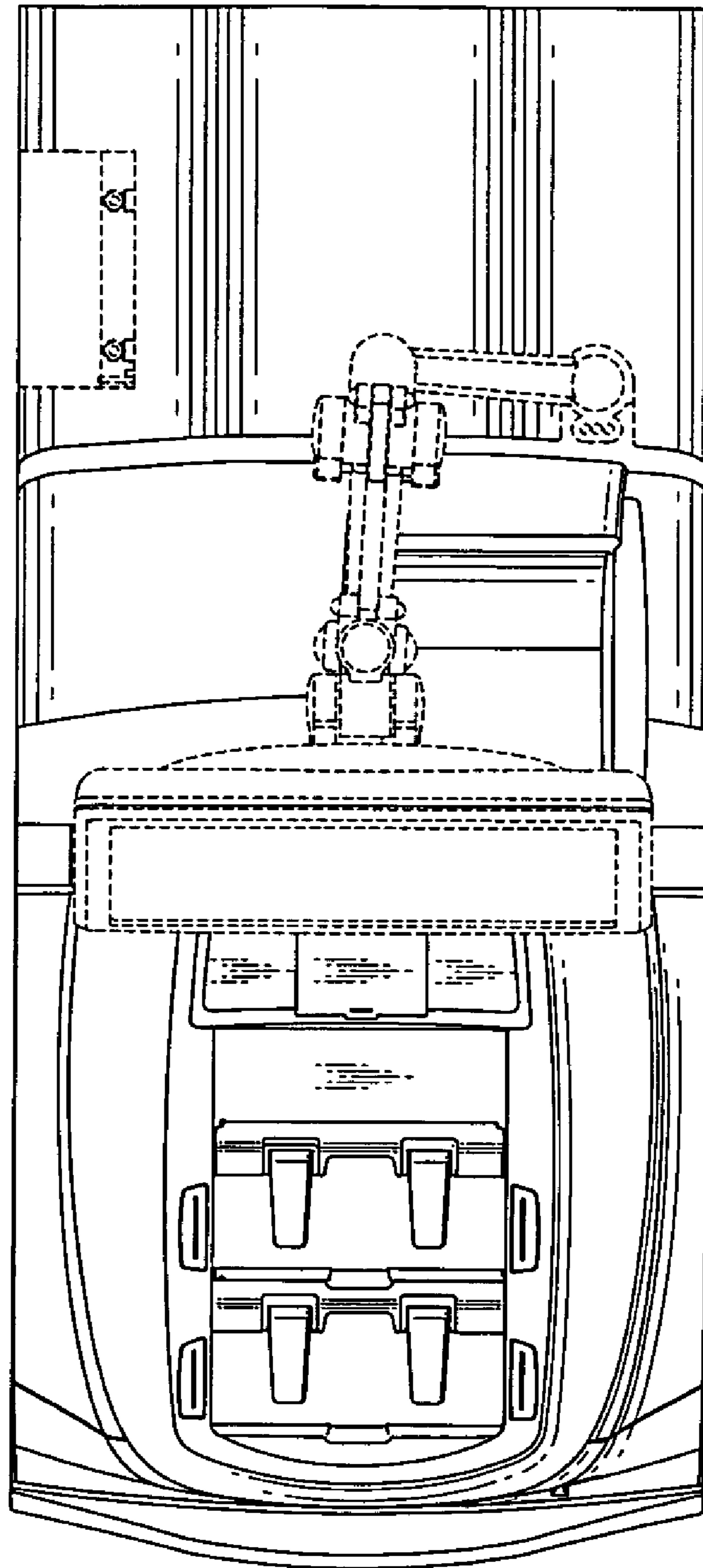


FIG. 3

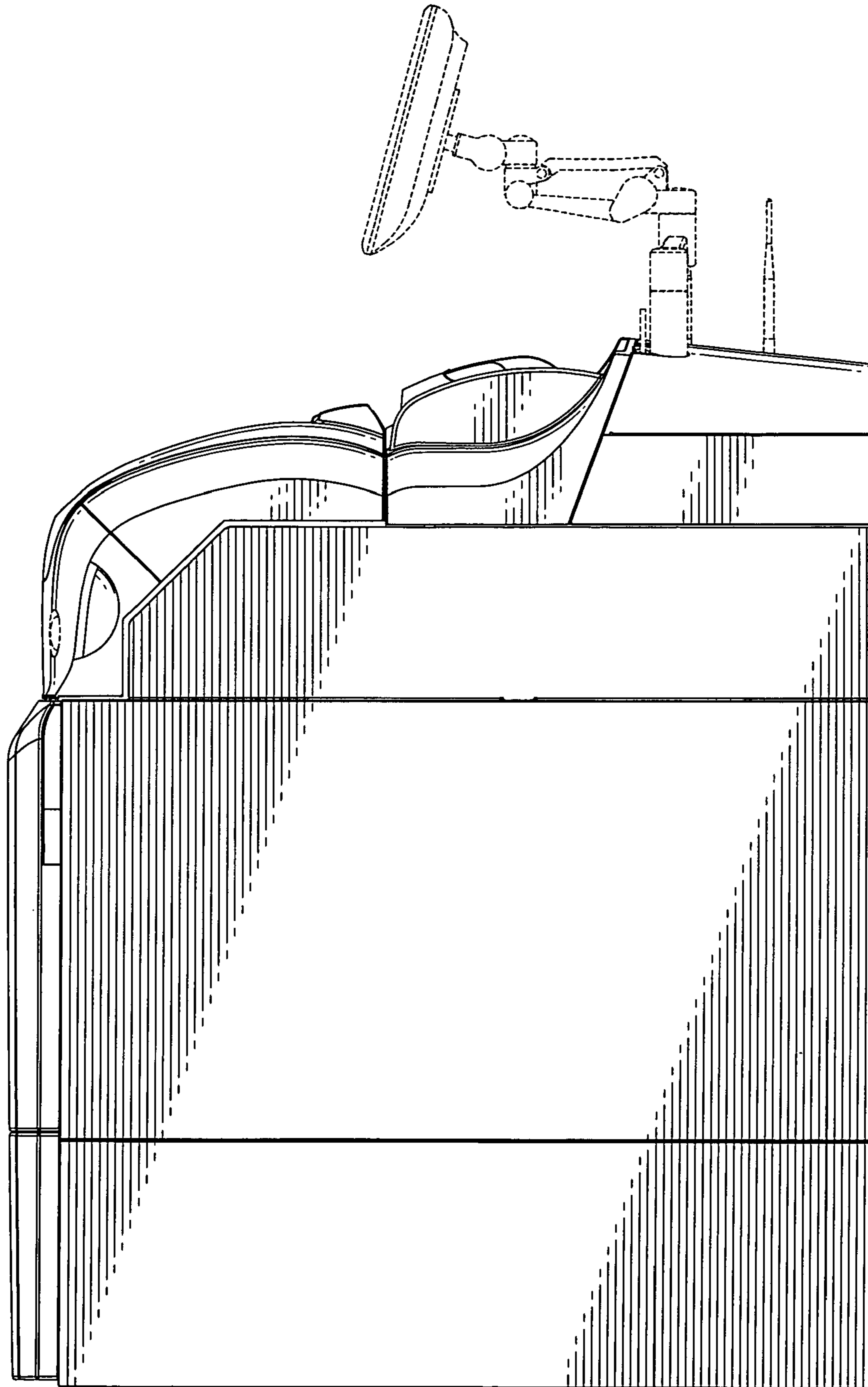


FIG. 4

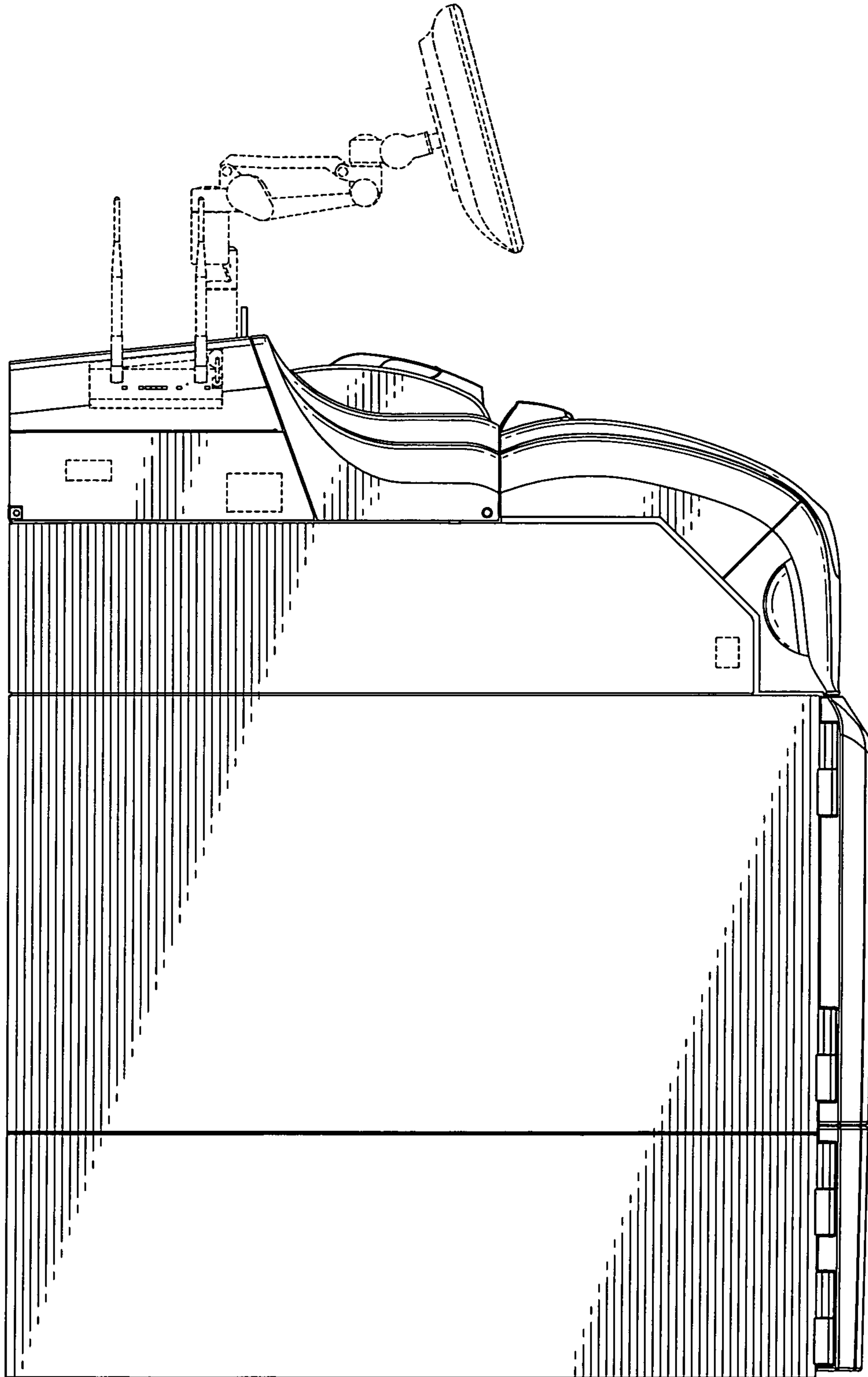


FIG. 5

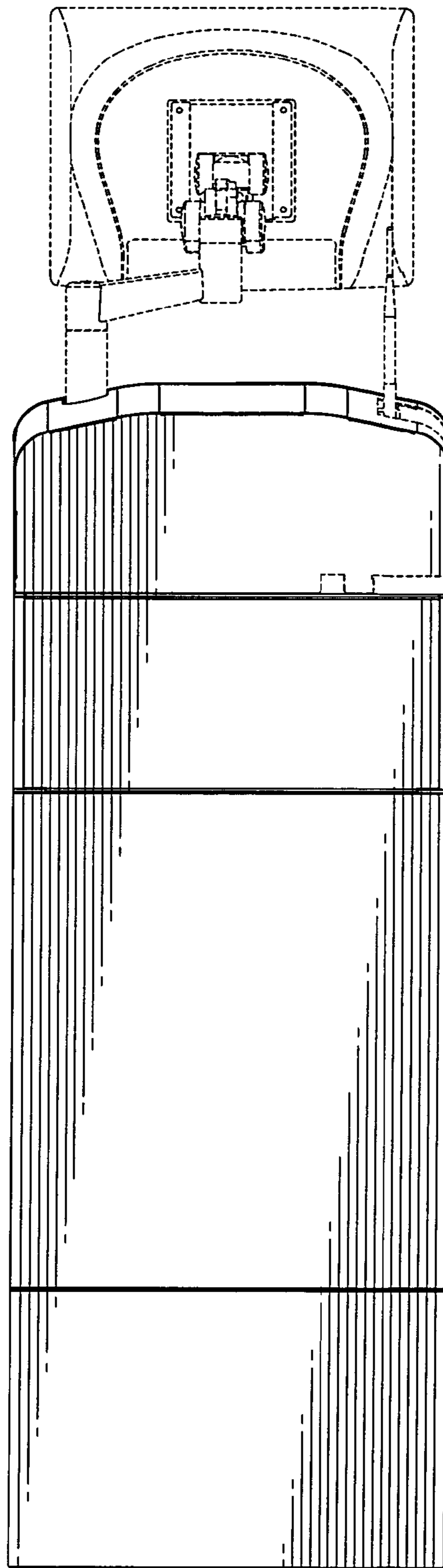


FIG. 6

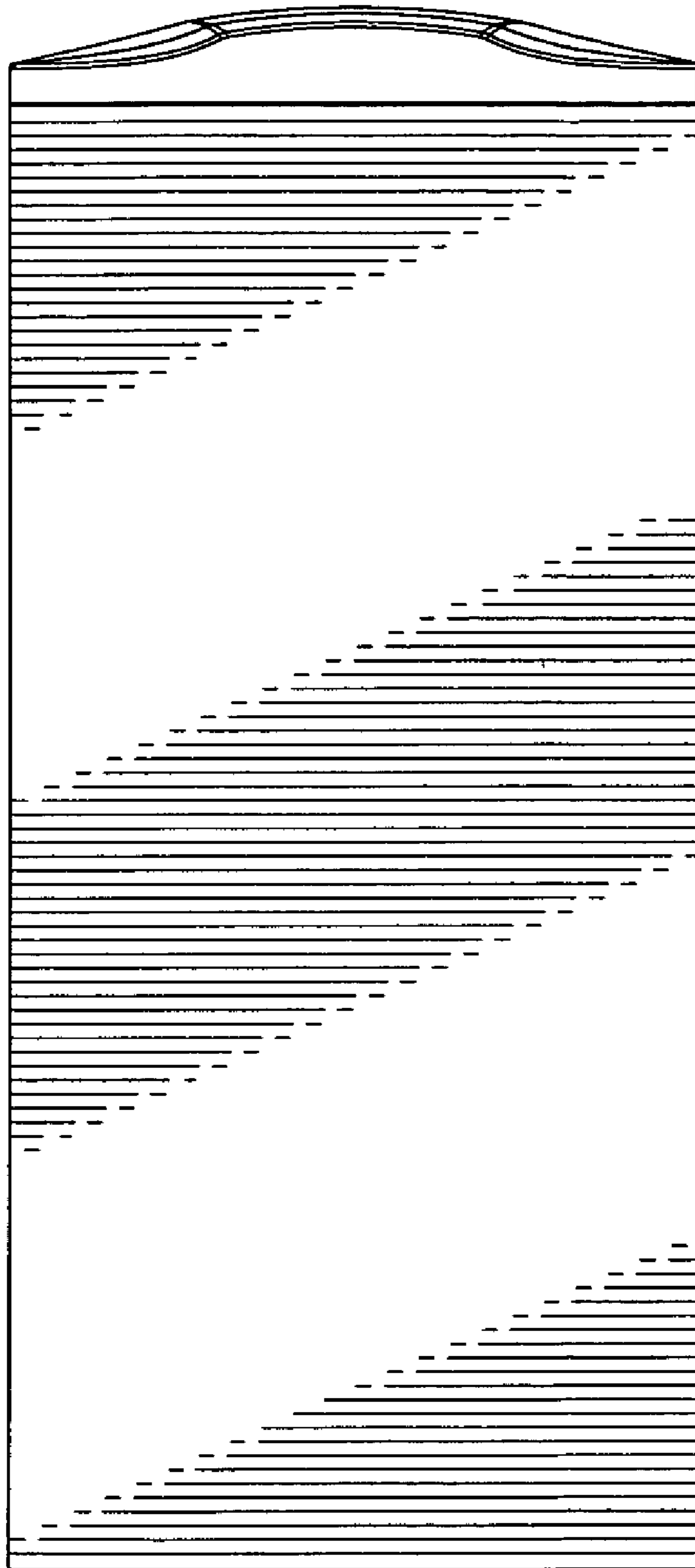


FIG. 7



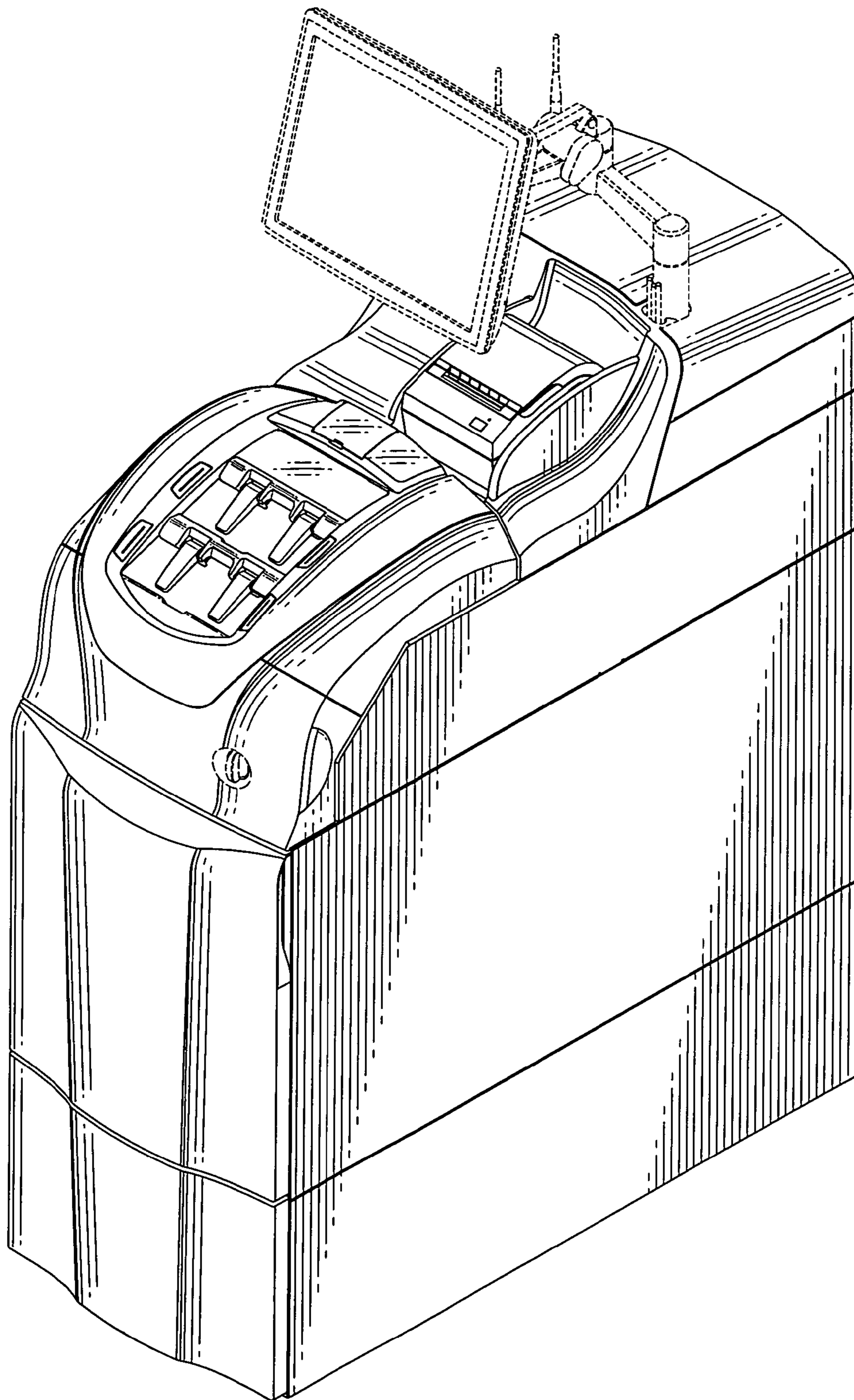


FIG. 8