



US00D618871S

(12) **United States Design Patent**  
**DeSalvo et al.**

(10) **Patent No.:** **US D618,871 S**  
(45) **Date of Patent:** **\*\* Jun. 29, 2010**

(54) **WASHING MACHINE**

(75) Inventors: **Thomas DeSalvo**, St. Charles, IL (US);  
**Ellen T. Glassman**, Closter, NJ (US);  
**Jason S. Silverstein**, Schaumburg, IL  
(US); **Troy Rodman**, Wheaton, IL (US);  
**Lori Wood**, Cary, IL (US); **Martin  
Olson**, Elmhurst, IL (US); **Anthony  
Ogg**, Northport, NY (US); **Gregg Davis**,  
Powell, OH (US); **Peter Koloski**, Upper  
Arlington, OH (US)

(73) Assignee: **Sears Brands, L.L.C.**, Hoffman Estates,  
IL (US)

(\*\*) Term: **14 Years**

(21) Appl. No.: **29/341,604**

(22) Filed: **Aug. 10, 2009**

**Related U.S. Application Data**

(63) Continuation of application No. 29/341,569, filed on  
Aug. 7, 2009.

(51) **LOC (9) Cl.** ..... **15-05**

(52) **U.S. Cl.** ..... **D32/25**

(58) **Field of Classification Search** ..... D32/5,  
D32/6, 8, 10, 1, 25; 68/3 R, 5 R, 12.01, 12.08;  
34/523-524; 312/31; 38/1 A

See application file for complete search history.

(56) **References Cited**

**U.S. PATENT DOCUMENTS**

D564,145 S \* 3/2008 Kim ..... D32/6

D576,361 S \* 9/2008 Jeon et al. .... D32/6

D582,106 S \* 12/2008 Kim et al. .... D32/6

D582,107 S \* 12/2008 Ha et al. .... D32/6

D608,062 S \* 1/2010 Jeong et al. .... D32/6

\* cited by examiner

*Primary Examiner*—T. Chase Nelson

*Assistant Examiner*—Kathleen M Sims

(74) *Attorney, Agent, or Firm*—Greenberg Traurig, LLP

(57) **CLAIM**

What is claimed is the ornamental design for a washing  
machine, as shown and described.

**DESCRIPTION**

FIG. 1 is a perspective view of a washing machine showing  
our new design;

FIG. 2 is a front elevational view thereof;

FIG. 3 is a rear elevational view thereof;

FIG. 4 is a left side elevational view thereof;

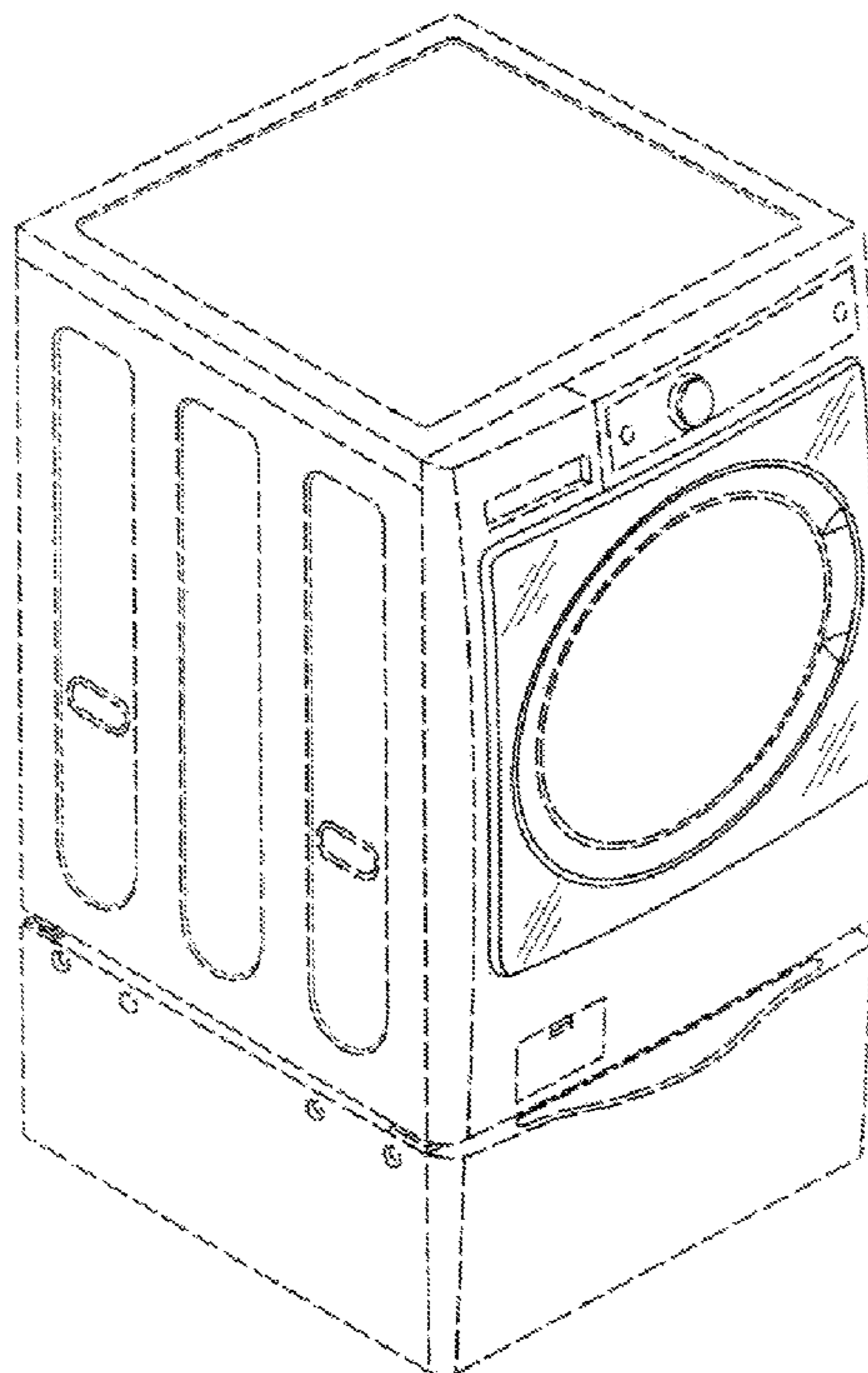
FIG. 5 is a right side elevational view thereof;

FIG. 6 is a top plan view thereof; and,

FIG. 7 is a bottom plan view thereof.

The elements shown in dotted lines are provided for illustra-  
tive purposes only and form no part of the design claimed.

**1 Claim, 6 Drawing Sheets**



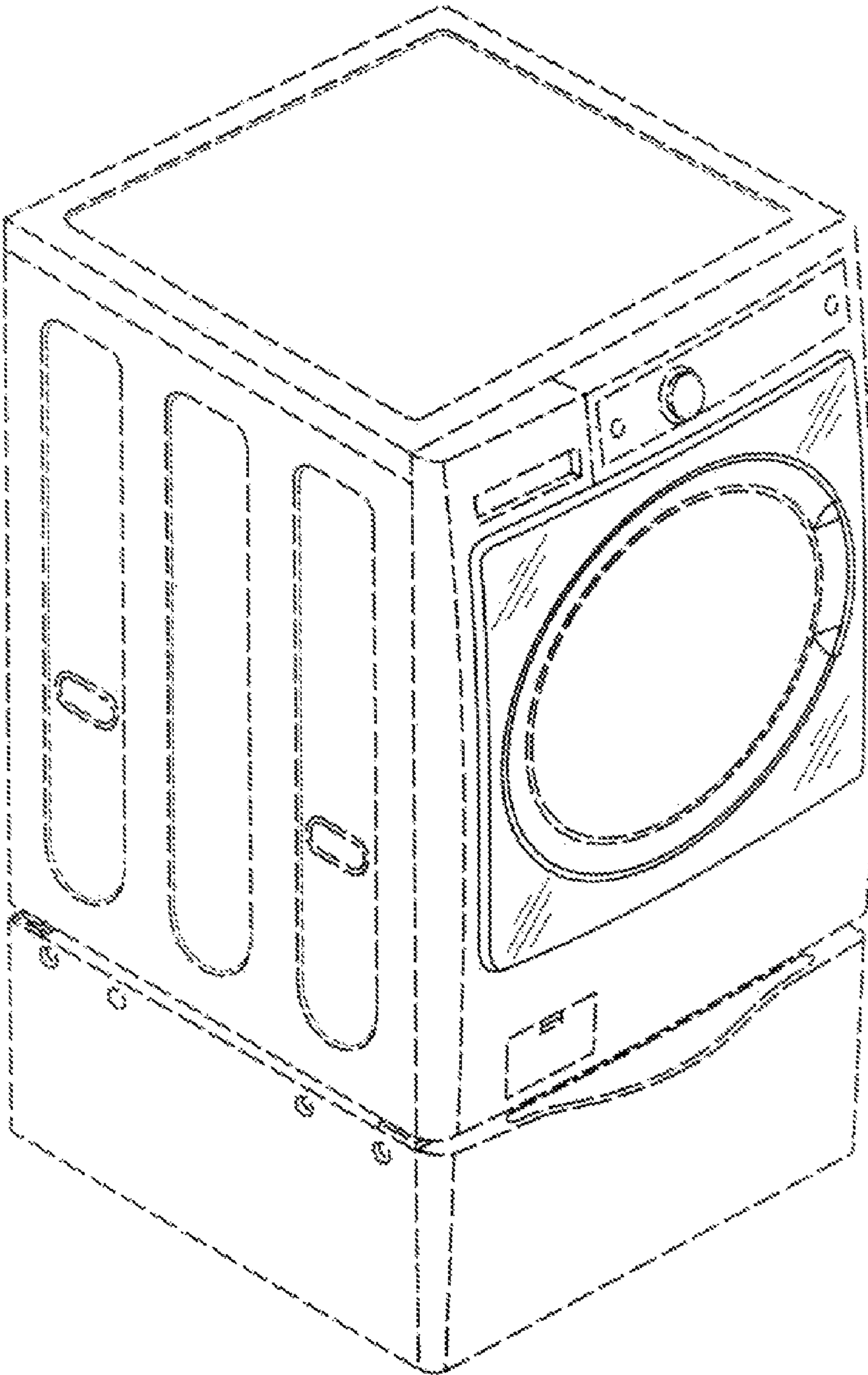


FIG. 1

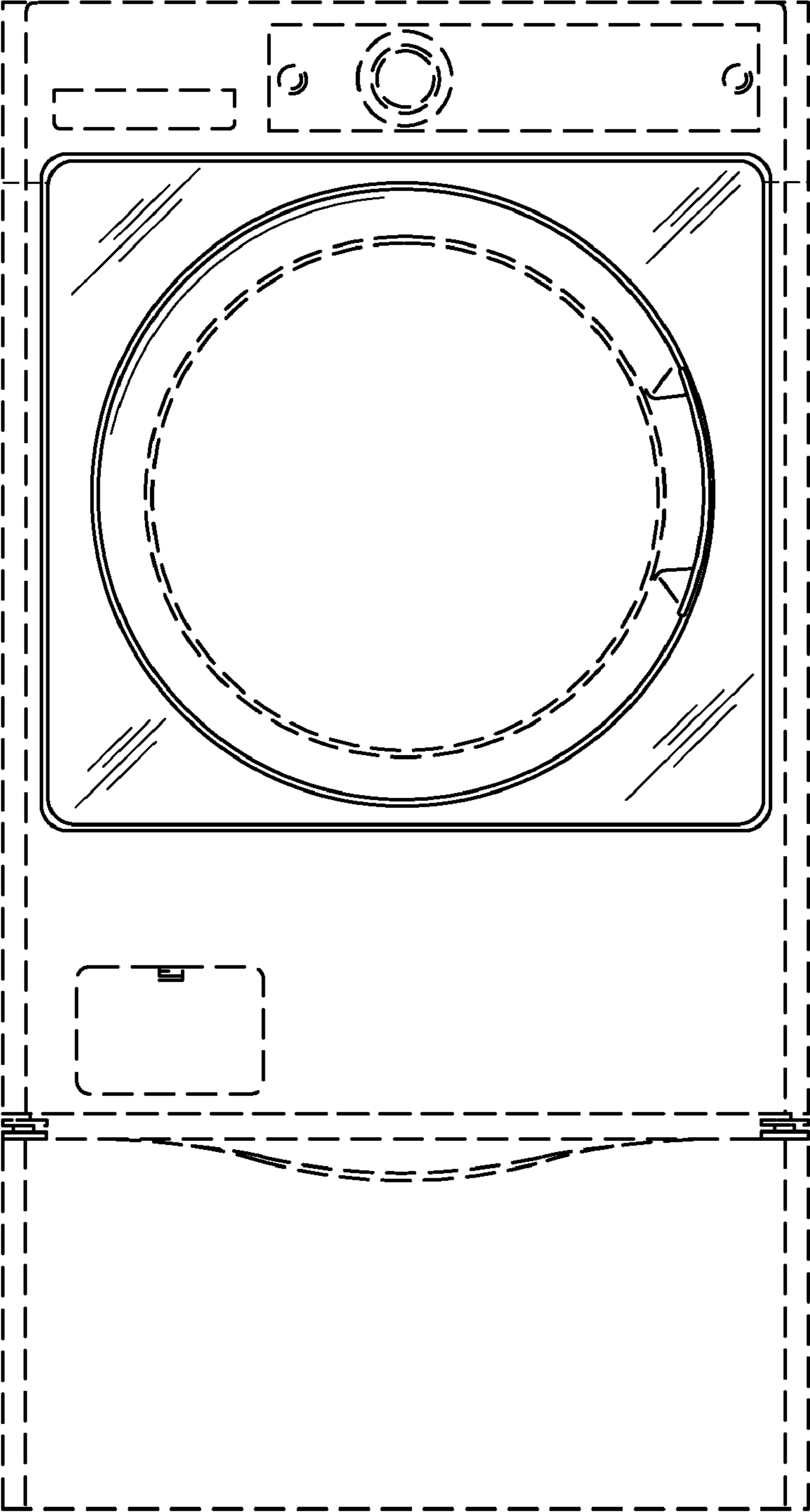


FIG. 2

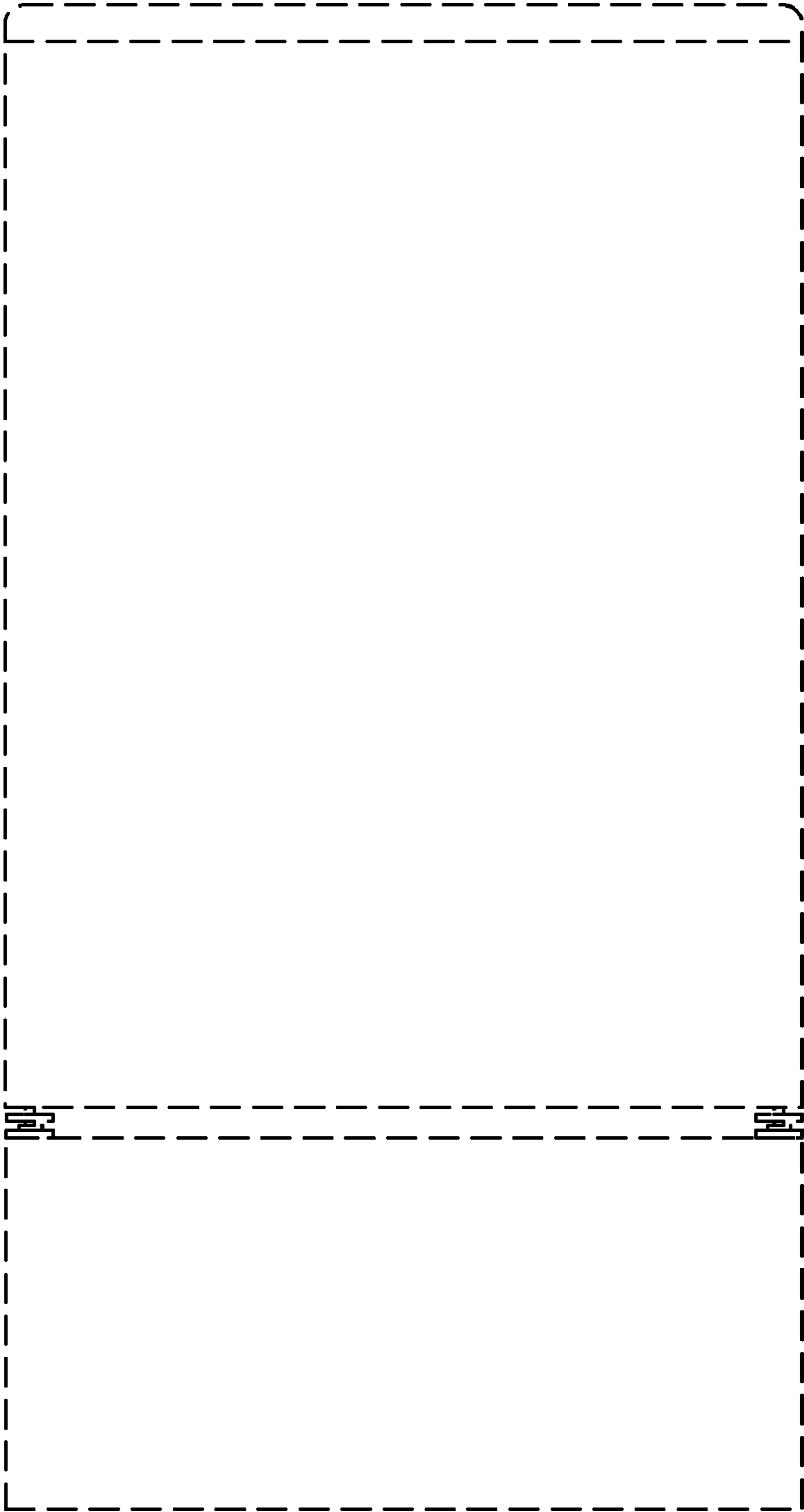


FIG. 3

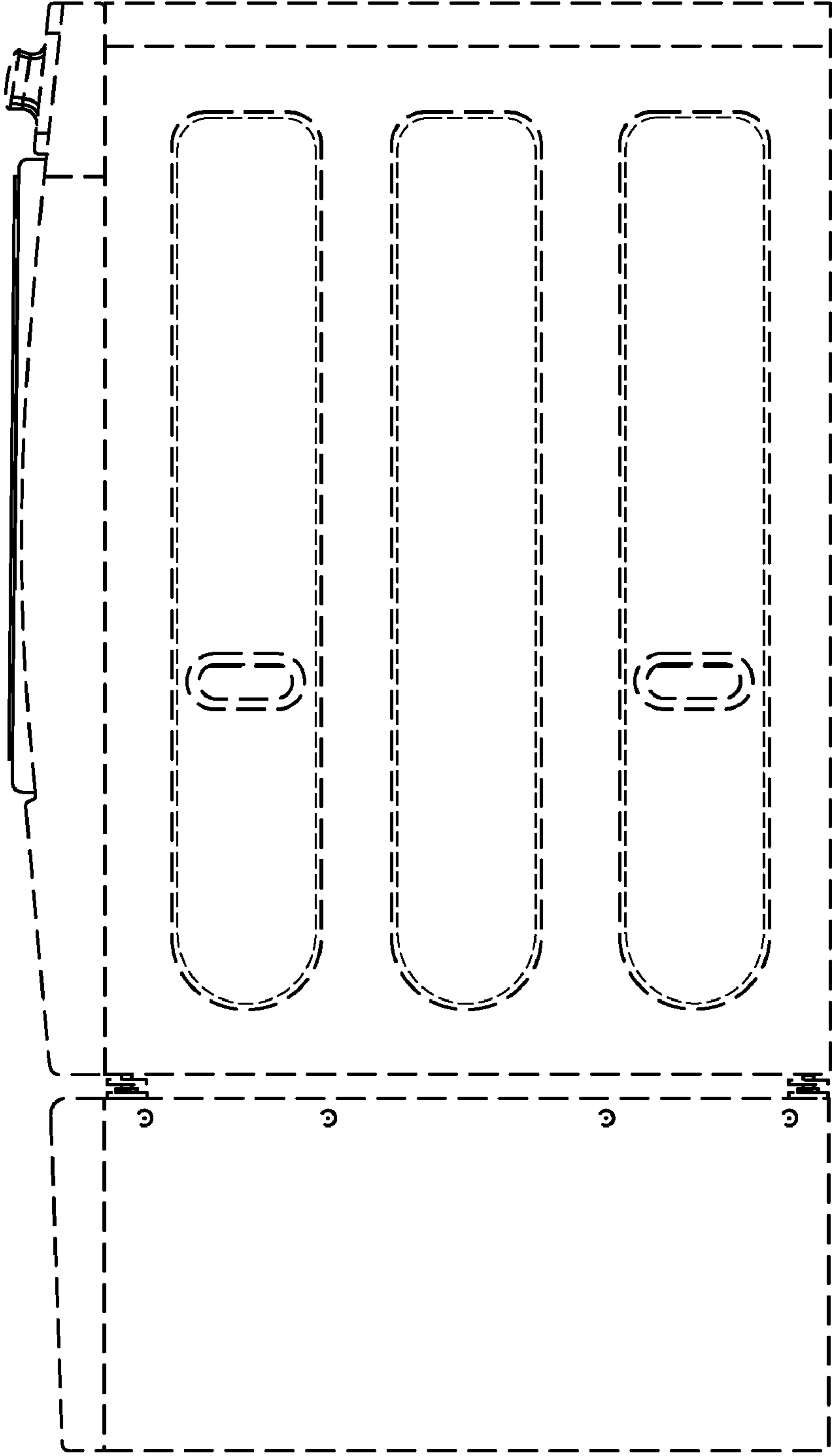


FIG. 4

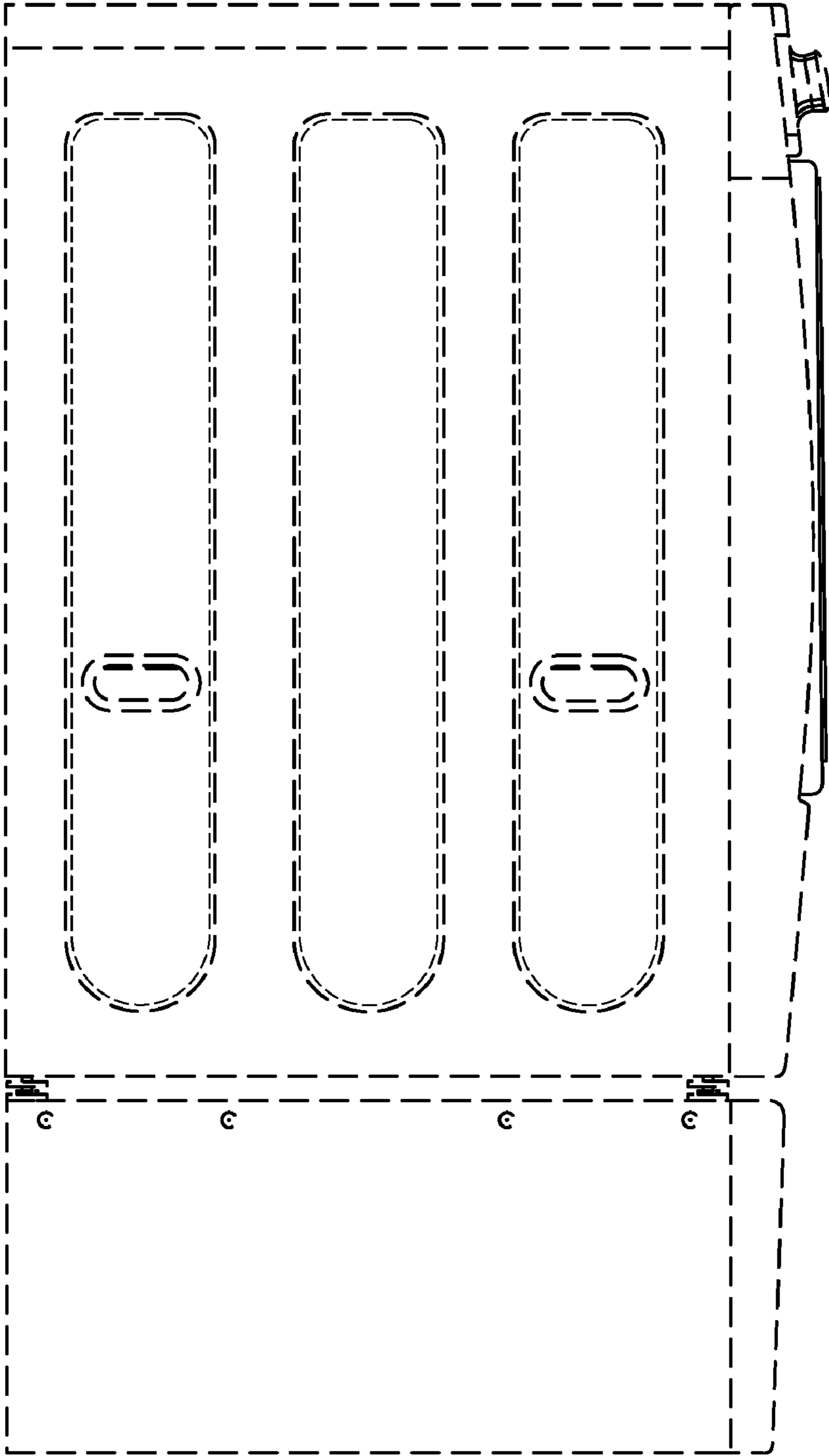


FIG. 5

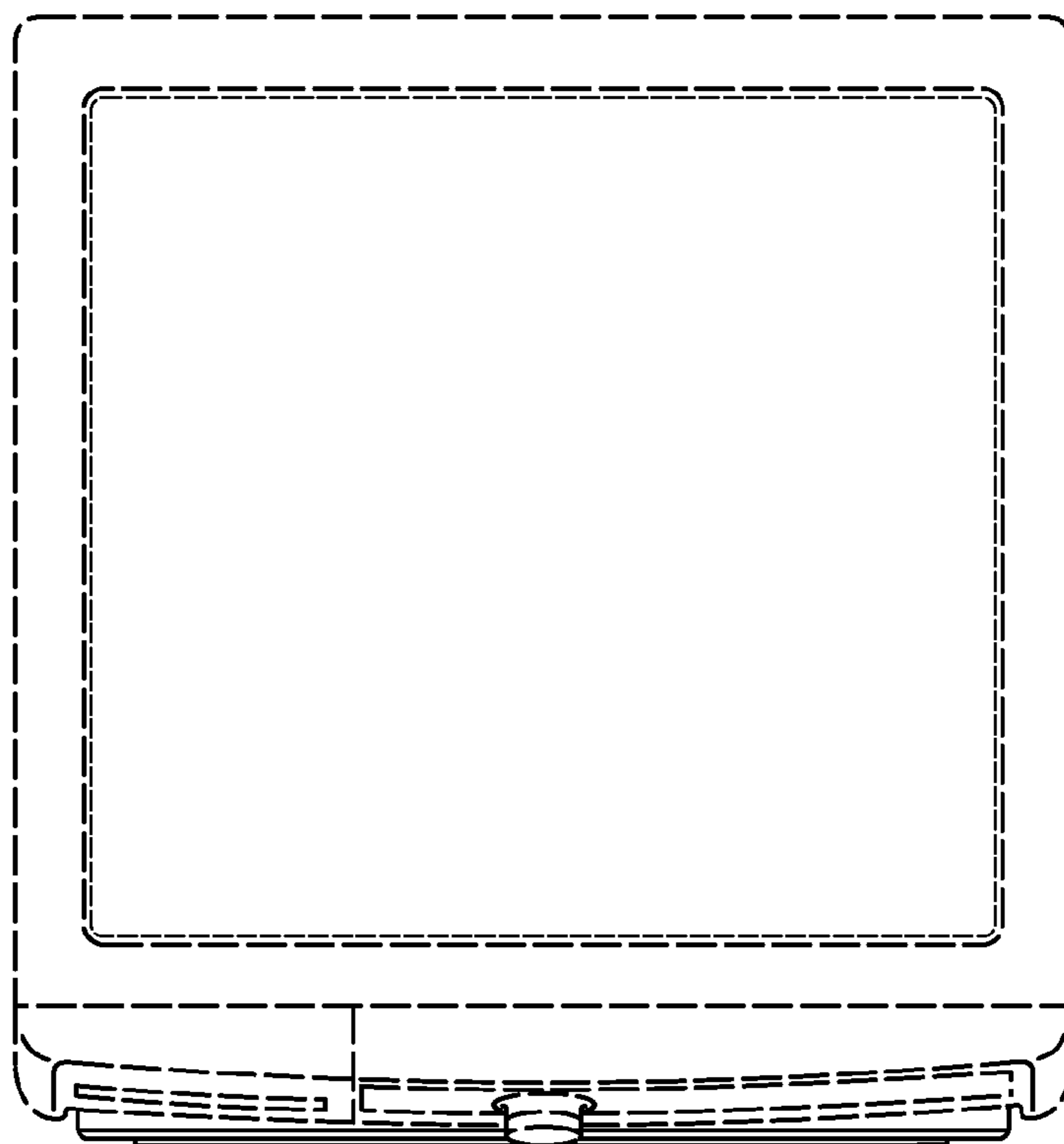


FIG. 6

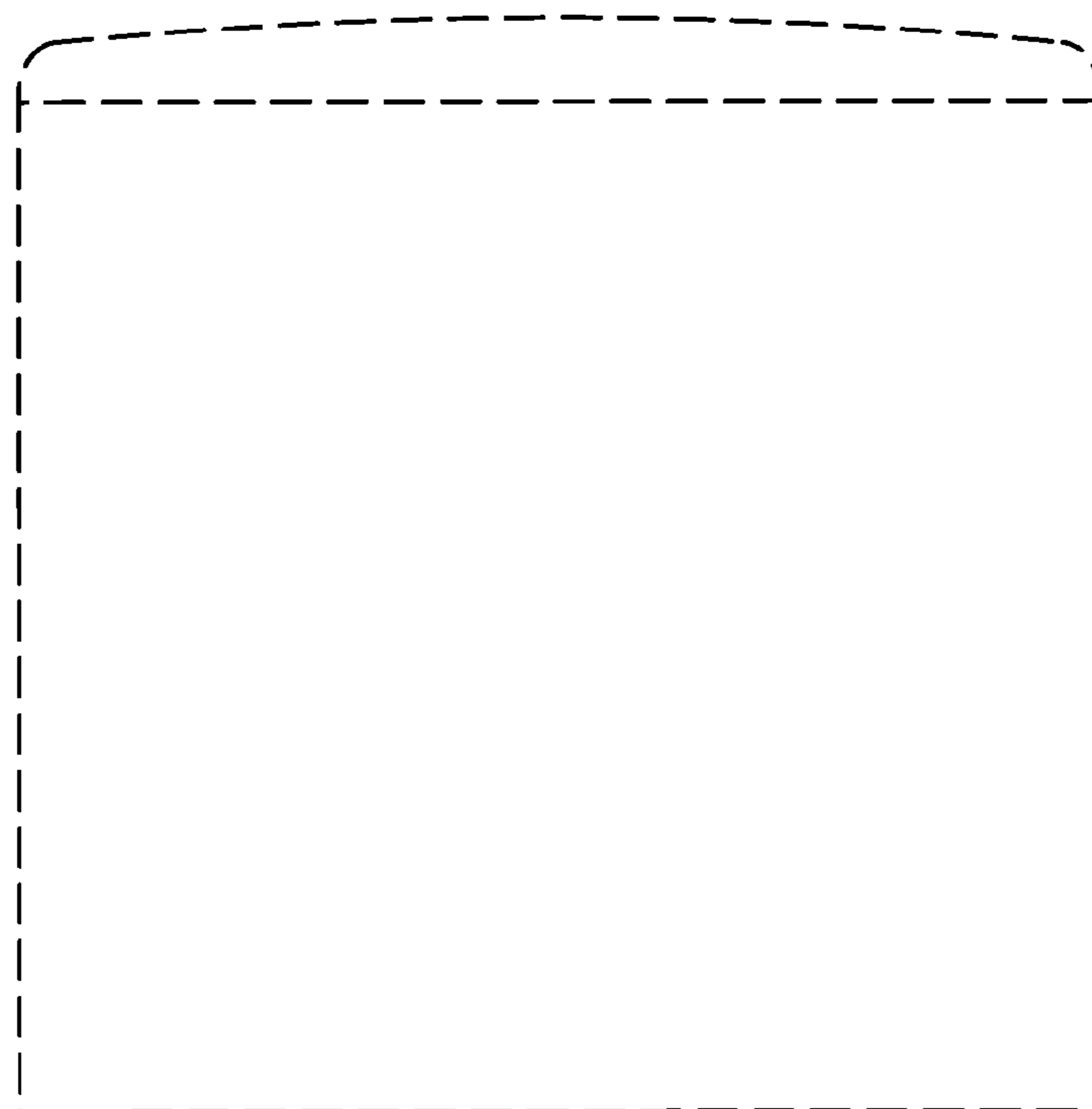


FIG. 7