



US00D618870S

(12) **United States Design Patent**
Williams et al.

(10) **Patent No.:** **US D618,870 S**
(45) **Date of Patent:** **** Jun. 29, 2010**

(54) **COMBINED WET/DRY VACUUM CLEANER WITH INTEGRATED WAND STORAGE**

(75) Inventors: **Matthew A. Williams**, Bridgeton, MO (US); **Douglas K. Ritterling**, Chesterfield, MO (US); **Shane Glasgow**, St. Ann, MO (US)

(73) Assignee: **Emerson Electric Co.**, St. Louis, MO (US)

(**) Term: **14 Years**

(21) Appl. No.: **29/338,152**

(22) Filed: **Jun. 5, 2009**

(51) **LOC (9) Cl.** **15-05**

(52) **U.S. Cl.** **D32/24**

(58) **Field of Classification Search** D32/17-18, D32/21, 23-24, 31; 15/327.1, 327.2, 327.4-327.7, 15/344, 353, 320-321, 412
See application file for complete search history.

(56) **References Cited**

U.S. PATENT DOCUMENTS

D318,544 S	7/1991	Schoettler	
D325,453 S	4/1992	Tsuge	
D355,283 S *	2/1995	Thomas et al.	D32/24
D381,481 S	7/1997	Medema et al.	
D386,842 S	11/1997	Hoshino et al.	
D399,616 S *	10/1998	Bobrosky et al.	D32/21
D418,643 S	1/2000	Hoshino	
D422,763 S *	4/2000	Tsuda	D32/21
D423,154 S	4/2000	Rohn et al.	
6,101,669 A	8/2000	Martin et al.	
D432,746 S *	10/2000	Frey	D32/24
D435,322 S	12/2000	DeBlasis et al.	
D443,119 S	5/2001	Sung	
D467,693 S	12/2002	Kitts	
D467,694 S	12/2002	Kitts	
D477,443 S *	7/2003	Kondo et al.	D32/21
D481,839 S	11/2003	Almqvist et al.	
D496,764 S	9/2004	Lopano	

D506,042 S	6/2005	Griffin et al.	
D528,256 S	9/2006	Beth et al.	
D537,579 S	2/2007	Zimmerle et al.	
D537,581 S	2/2007	Zimmerle et al.	
D537,992 S *	3/2007	Hoshino	D32/24
D549,903 S	8/2007	Eccardt et al.	
D549,904 S	8/2007	Eccardt	
D558,410 S	12/2007	Hill et al.	
D564,154 S	3/2008	Hollis et al.	
D568,009 S	4/2008	Lam	
D568,562 S	5/2008	Griffin et al.	
D568,564 S	5/2008	Griffin et al.	
D568,565 S	5/2008	Griffin et al.	
D571,513 S	6/2008	Griffin et al.	

(Continued)

Primary Examiner—Ruth McInroy

(74) *Attorney, Agent, or Firm*—Locke Lord Bissell & Liddell LLP

(57) **CLAIM**

The ornamental design for a combined wet/dry vacuum cleaner with integrated wand storage, as shown and described.

DESCRIPTION

FIG. 1 is a front perspective view of a combined wet/dry vacuum cleaner with integrated wand storage showing our new design;

FIG. 2 is a rear perspective view thereof;

FIG. 3 is a top view thereof;

FIG. 4 is a bottom view thereof;

FIG. 5 is a side view thereof;

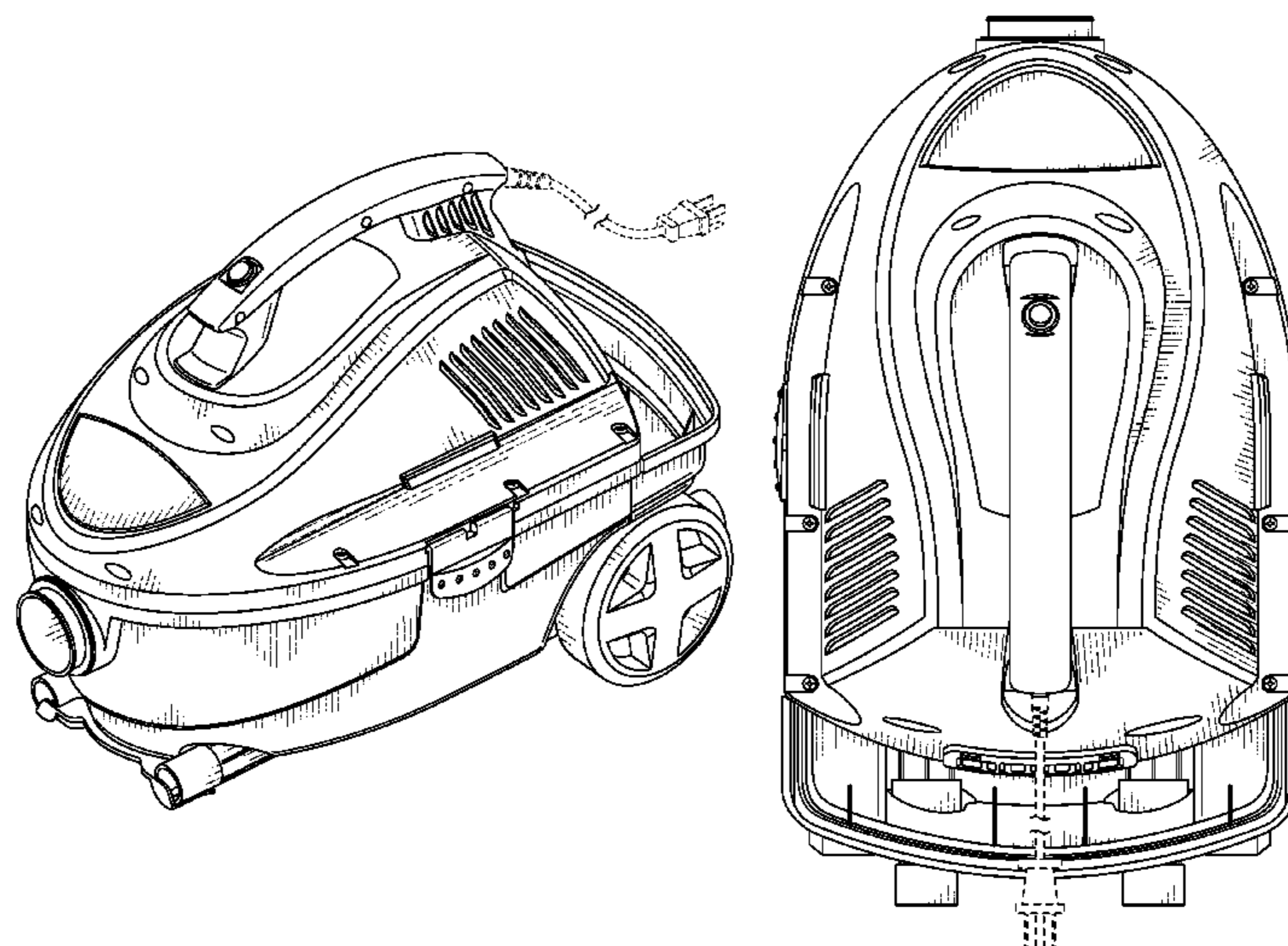
FIG. 6 is a side view of the opposite side of FIG. 5;

FIG. 7 is a front view thereof; and,

FIG. 8 is a rear view thereof.

The broken lines of FIGS. 1-8 are for illustrative purposes only and form no part of the claimed design.

1 Claim, 8 Drawing Sheets



US D618,870 S

Page 2

U.S. PATENT DOCUMENTS

D577,164 S	9/2008	Williams et al.	D584,016 S	12/2008	Hosoda et al.	
D581,114 S	11/2008	Grevling, Jr. et al.	D584,462 S	1/2009	Umeda et al.	
D581,608 S	11/2008	Dammkoehler et al.	D584,463 S	1/2009	Jansson et al.	
D581,609 S	11/2008	Conrad et al.	D596,359 S *	7/2009	Hollis et al. D32/21

* cited by examiner

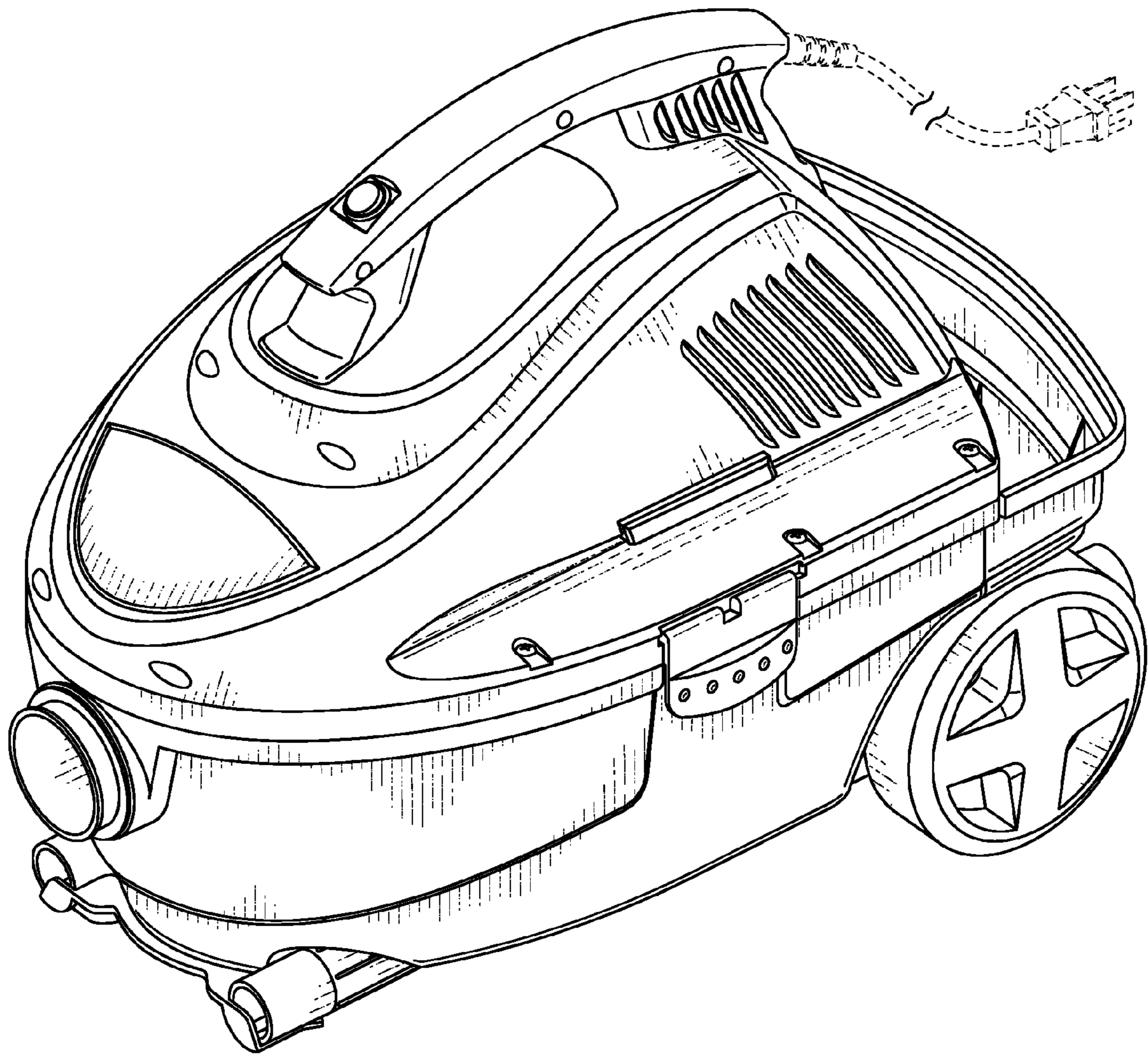


FIG. 1

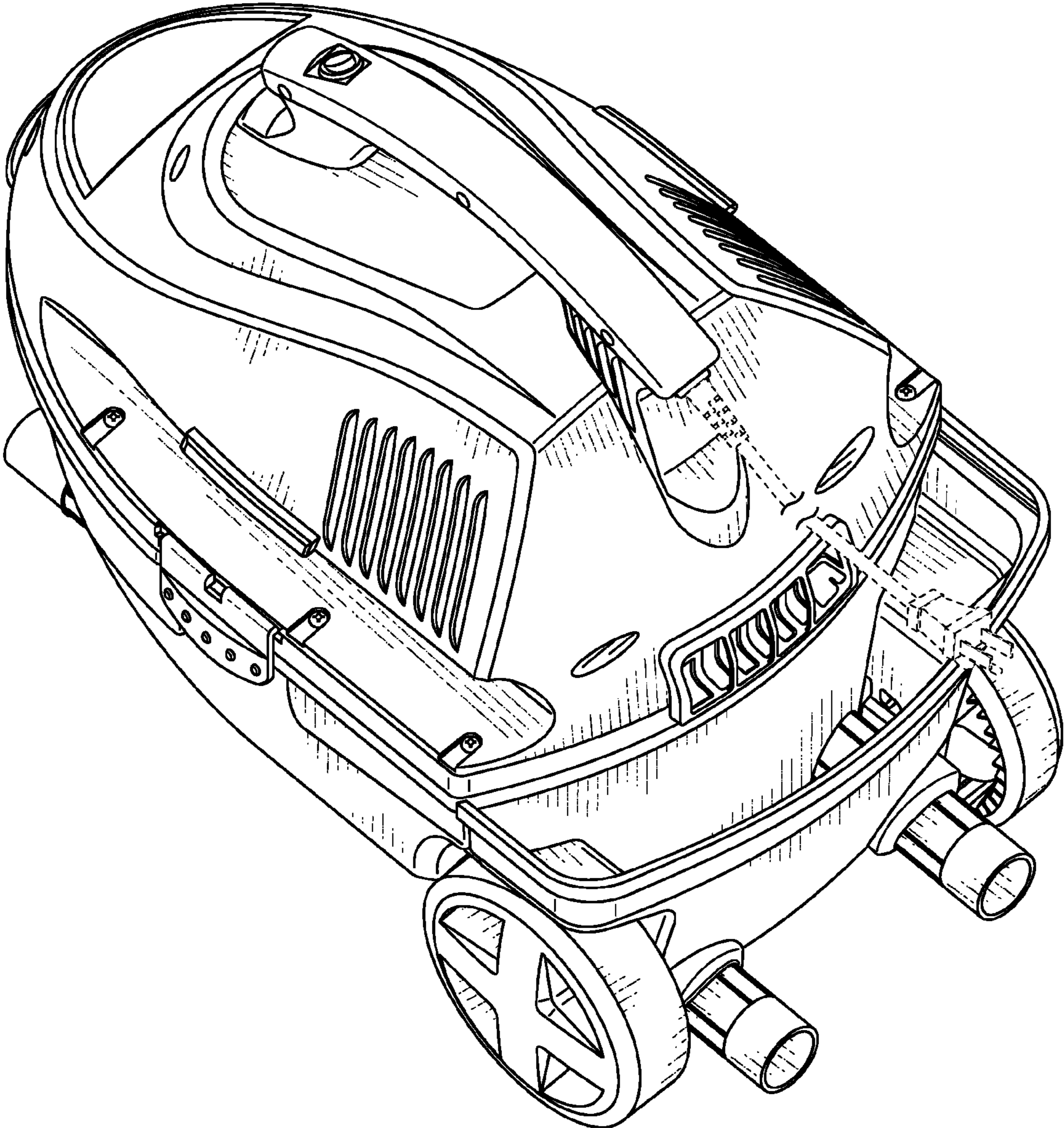


FIG. 2

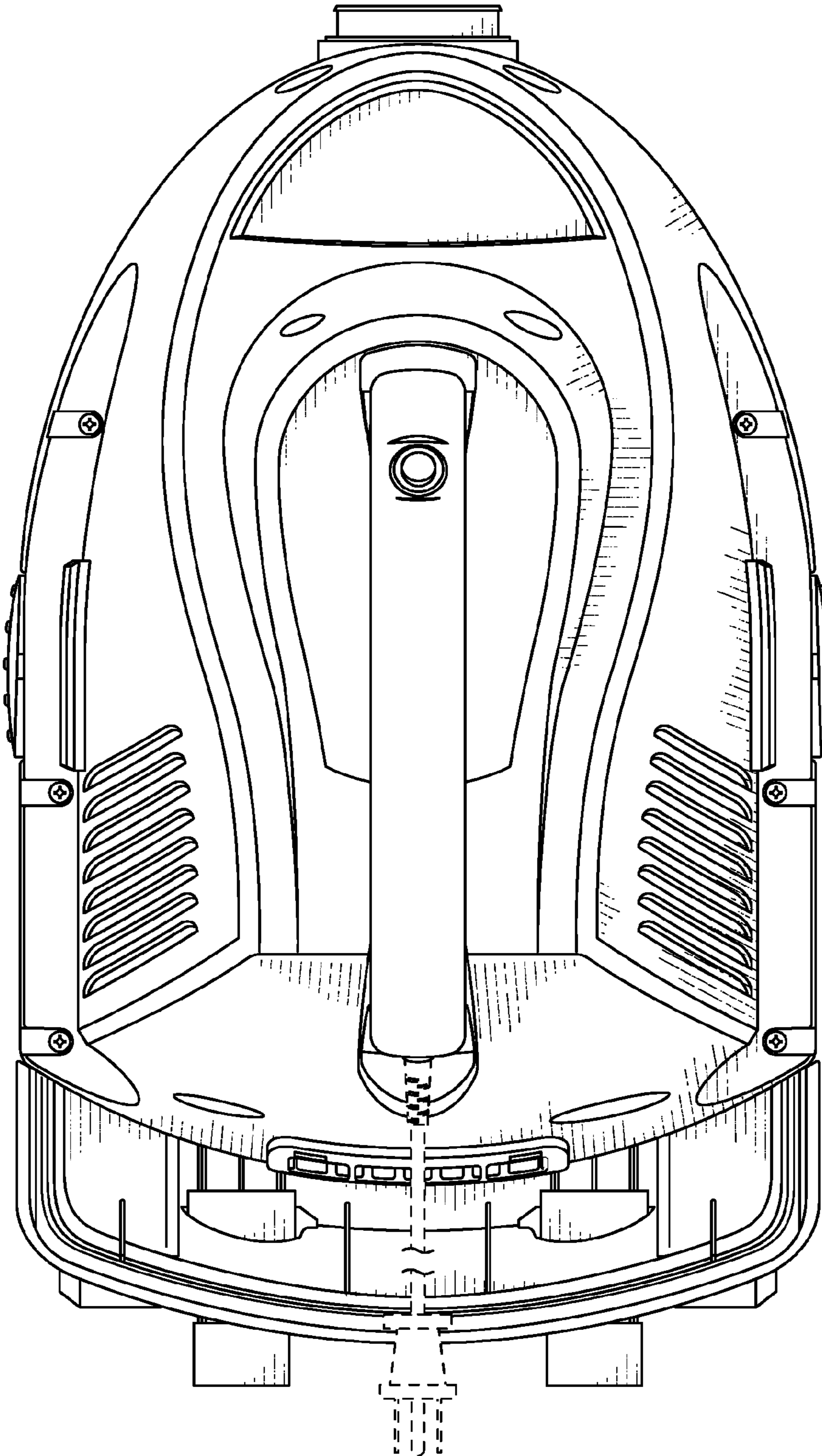


FIG. 3

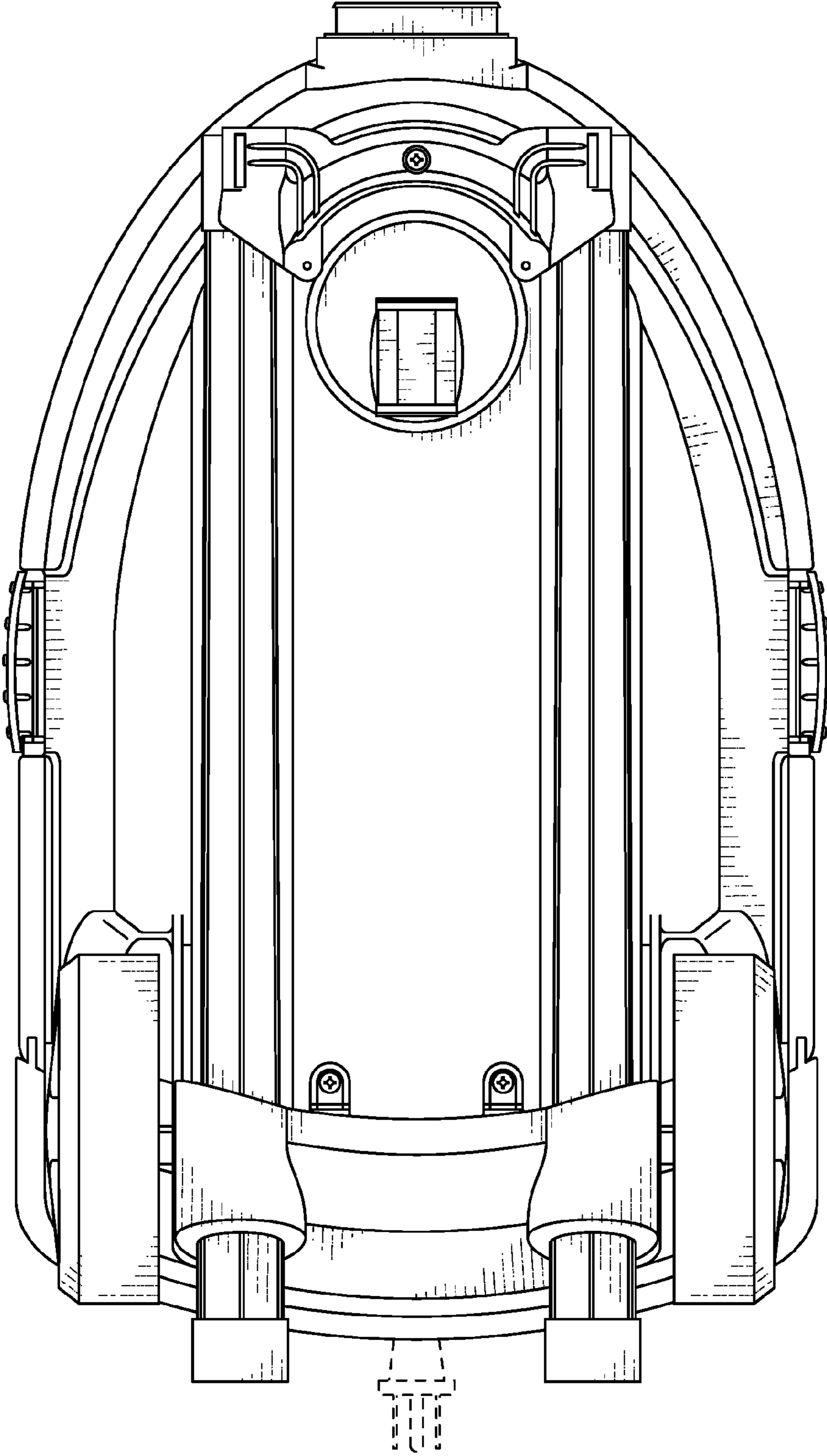


FIG. 4

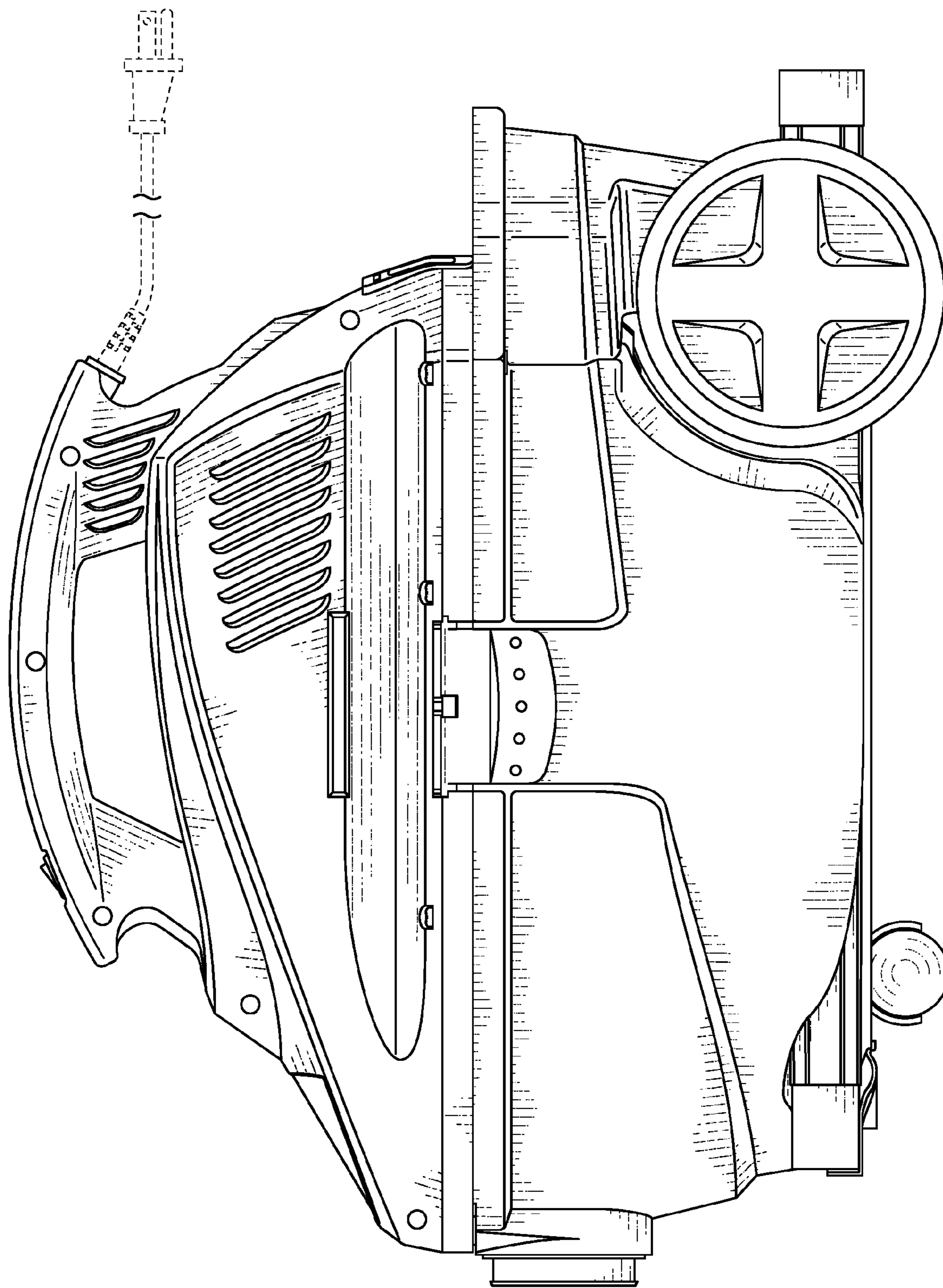


FIG. 5

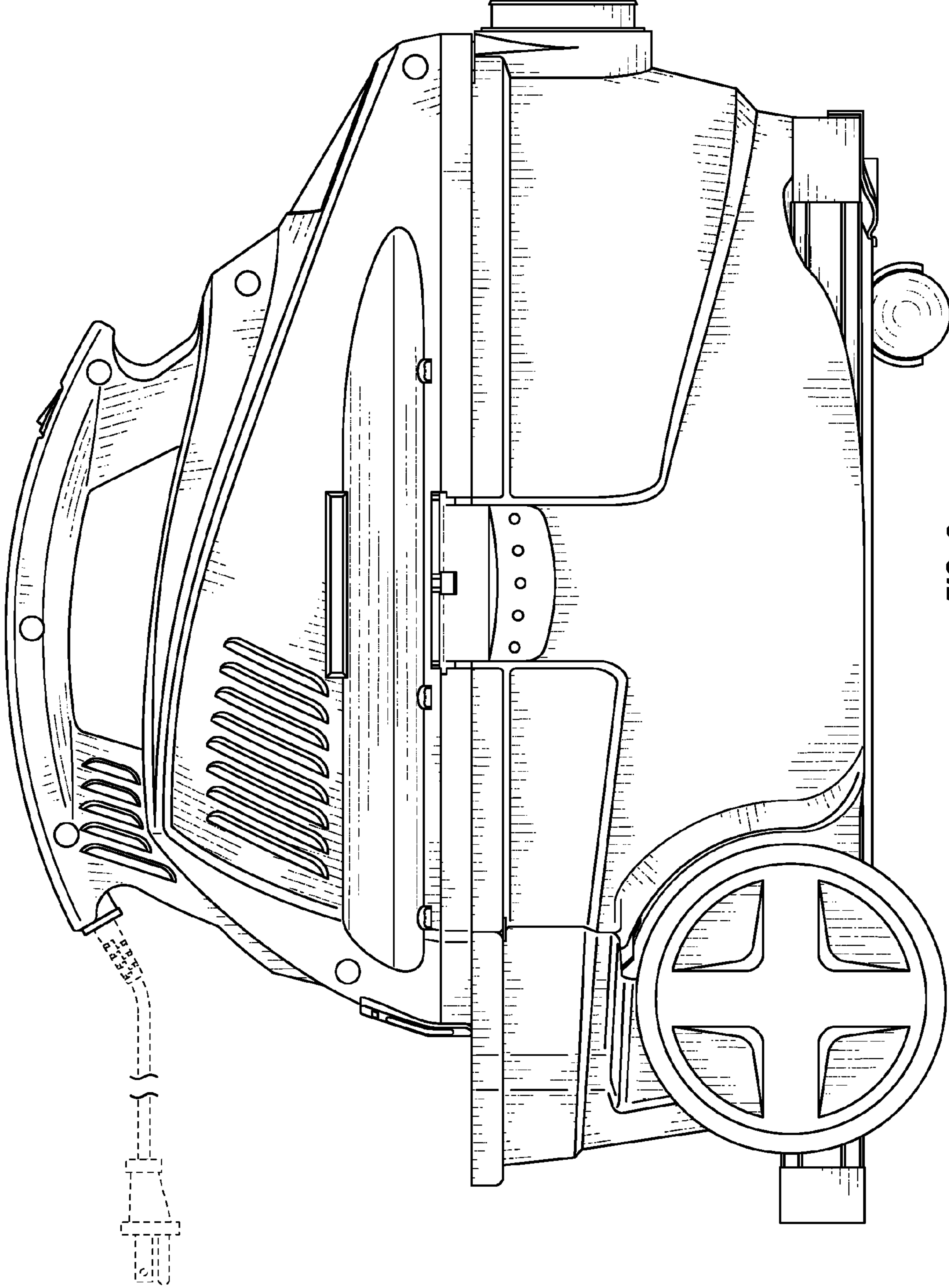


FIG. 6

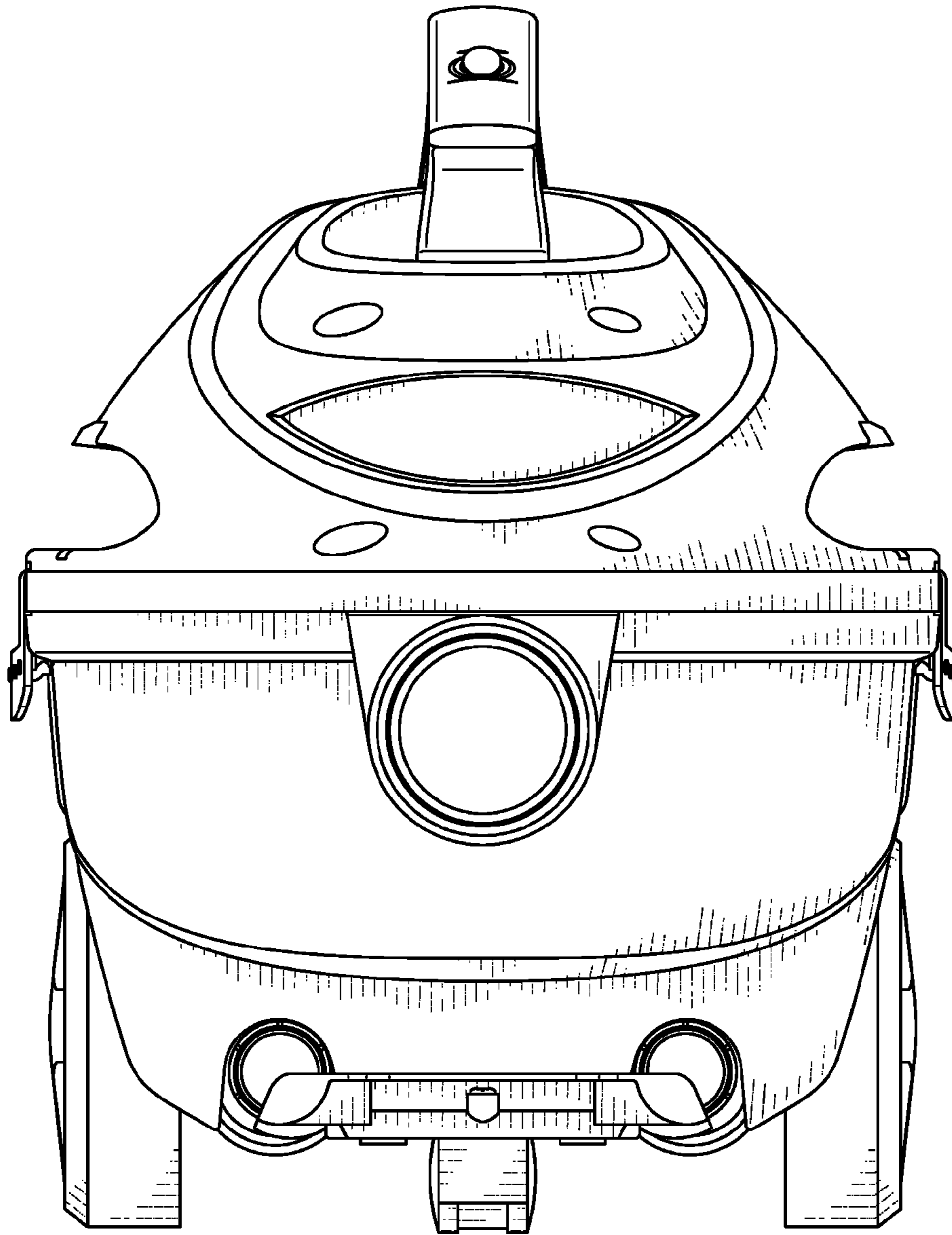


FIG. 7

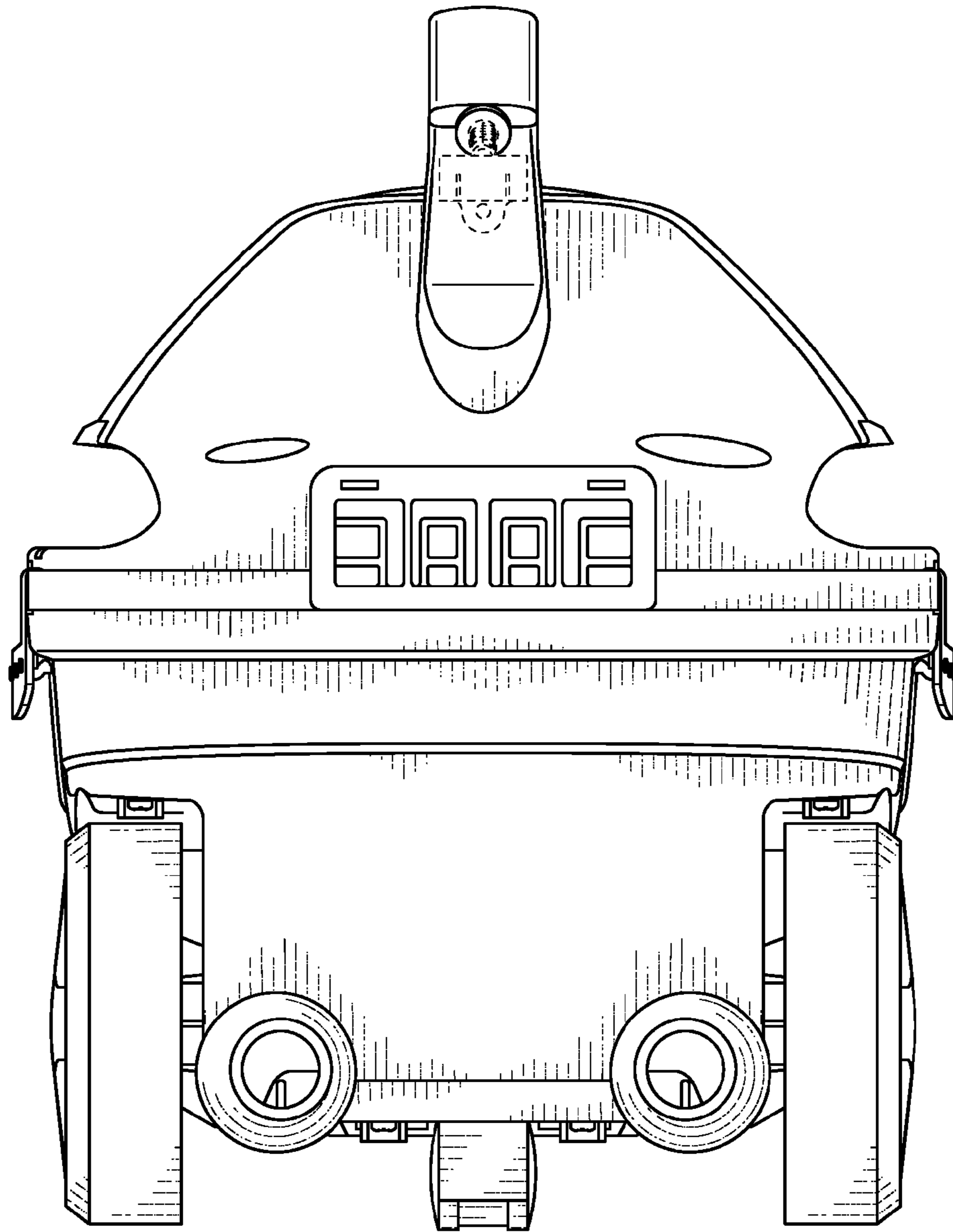


FIG. 8