



US00D618869S

(12) **United States Design Patent**  
**Wen et al.**

(10) **Patent No.:** **US D618,869 S**  
(45) **Date of Patent:** **\*\* Jun. 29, 2010**

(54) **VACUUM CLEANER**

(75) Inventors: **Xiao Feng Wen**, Suzhou (CN); **Klaus Fiorino**, Colere (IT); **Marco Nicora**, Varese (IT); **Andrea Zardoni**, Casarile (IT)

(73) Assignee: **Hoover Limited**, Merthyr Tydfil (GB)

(\*\*) Term: **14 Years**

(21) Appl. No.: **29/313,597**

(22) Filed: **Jan. 26, 2009**

(30) **Foreign Application Priority Data**

Jul. 25, 2008 (EM) ..... 000977160-0001

(51) **LOC (9) Cl.** ..... **15-05**

(52) **U.S. Cl.** ..... **D32/21**

(58) **Field of Classification Search** ..... D32/21-24;  
15/327, 1, 327.2, 327.4-327.7, 344, 353,  
15/320-321, 412

See application file for complete search history.

(56) **References Cited**

**U.S. PATENT DOCUMENTS**

D448,128 S \* 9/2001 Oh ..... D32/21  
D550,910 S \* 9/2007 Shin ..... D32/21  
D552,310 S \* 10/2007 Shin ..... D32/21  
D553,311 S \* 10/2007 Shin ..... D32/21  
D554,308 S \* 10/2007 Shin ..... D32/21  
D555,851 S \* 11/2007 Shin et al. .... D32/21  
D555,852 S \* 11/2007 Shin et al. .... D32/21

D557,470 S \* 12/2007 Choi et al. .... D32/21  
D565,813 S \* 4/2008 Shin ..... D32/21  
D582,109 S \* 12/2008 Kim et al. .... D32/21  
2003/0208875 A1 \* 11/2003 Ito et al. .... 15/327.2

\* cited by examiner

*Primary Examiner*—Ruth McInroy

(74) *Attorney, Agent, or Firm*—Daniel P. Burke & Associates, PLLC

(57) **CLAIM**

The ornamental design for a vacuum cleaner, as shown and described.

**DESCRIPTION**

FIG. 1 is a top, front and left side perspective view of a vacuum cleaner showing our new design;

FIG. 2 is a top, front and right side perspective view thereof;

FIG. 3 is a top, rear and right side perspective view thereof;

FIG. 4 is a top, rear and left side perspective view thereof;

FIG. 5 is a front view thereof;

FIG. 6 is a rear view thereof;

FIG. 7 is a left side view thereof;

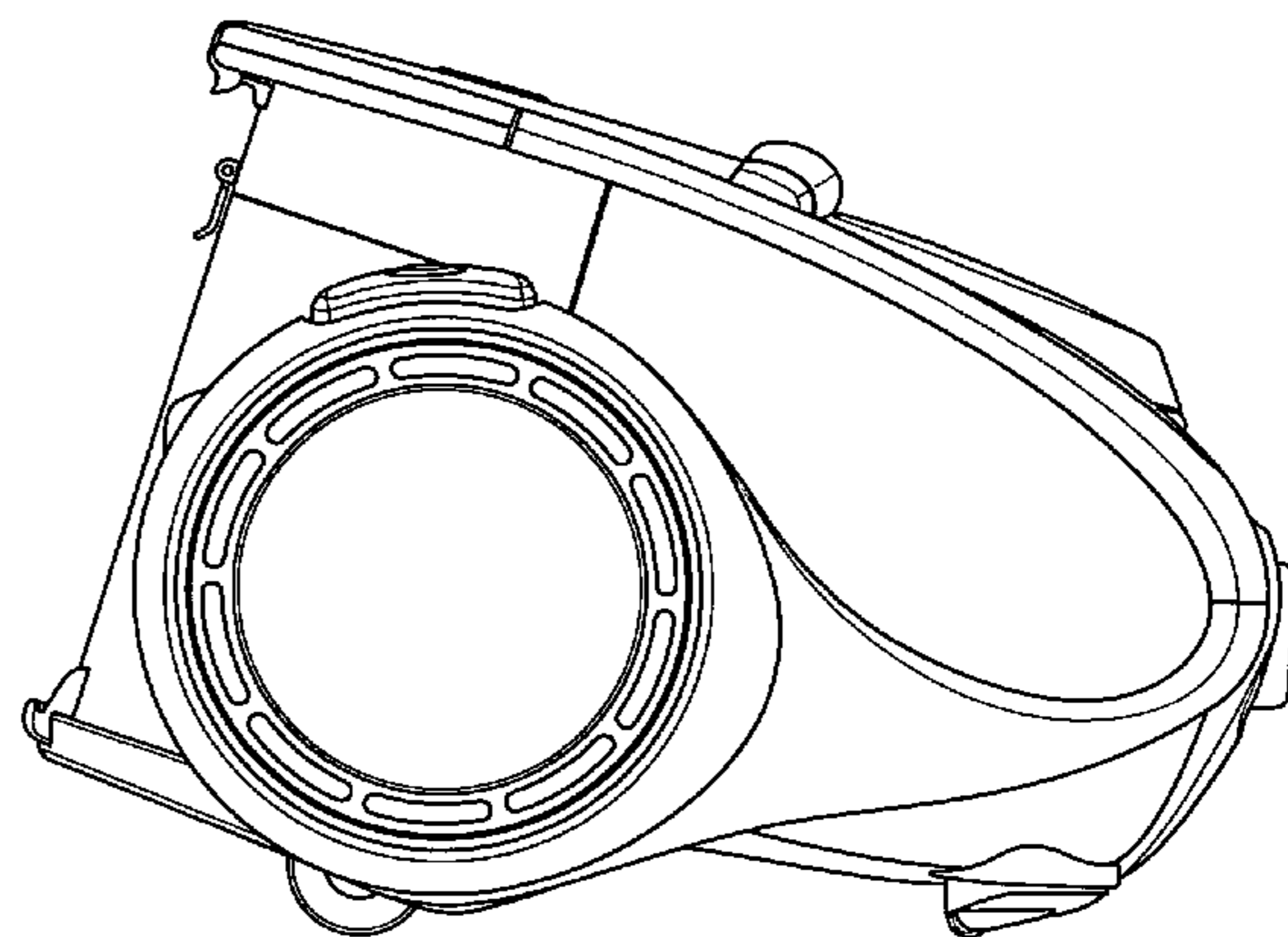
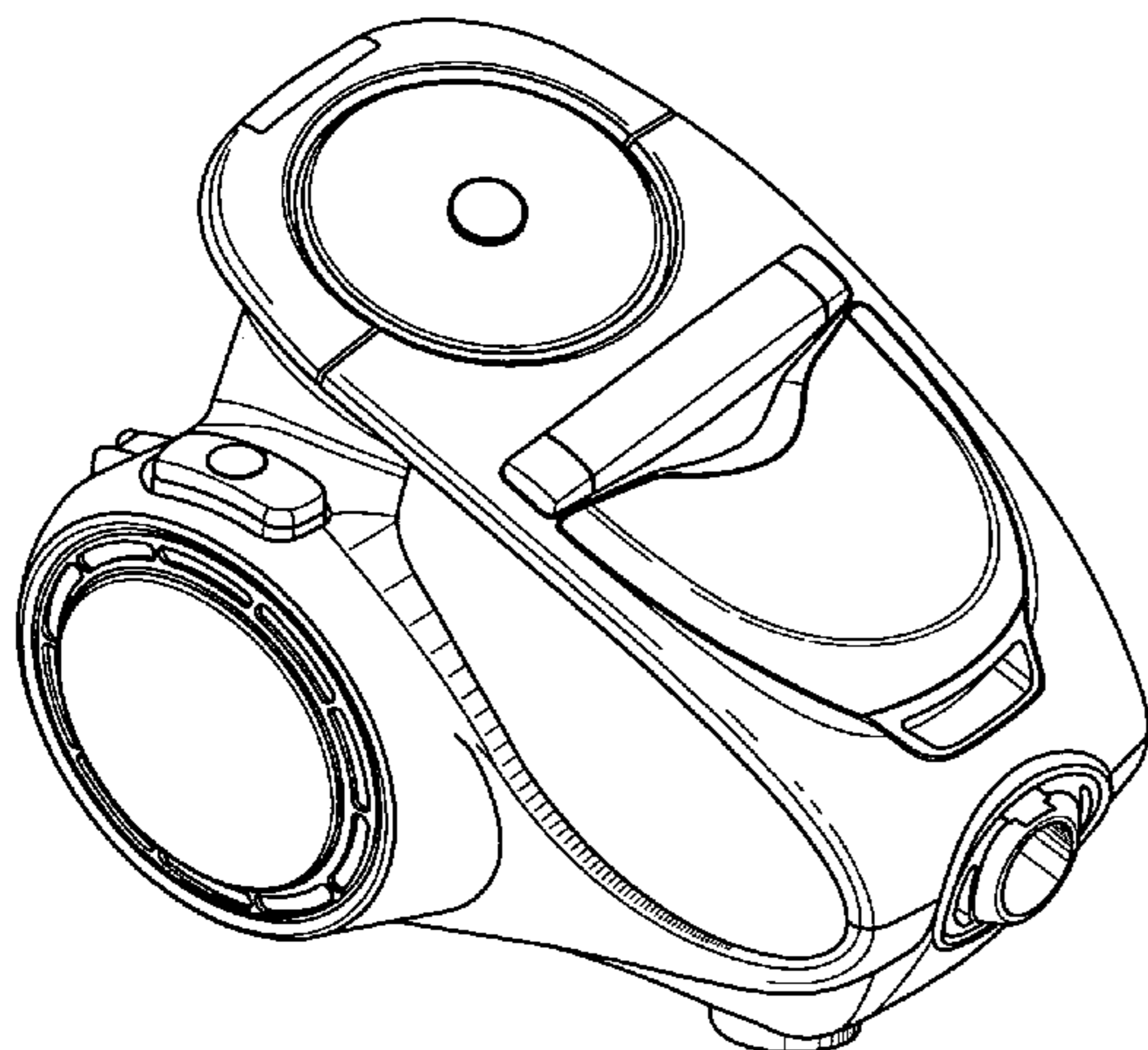
FIG. 8 is a right side view thereof;

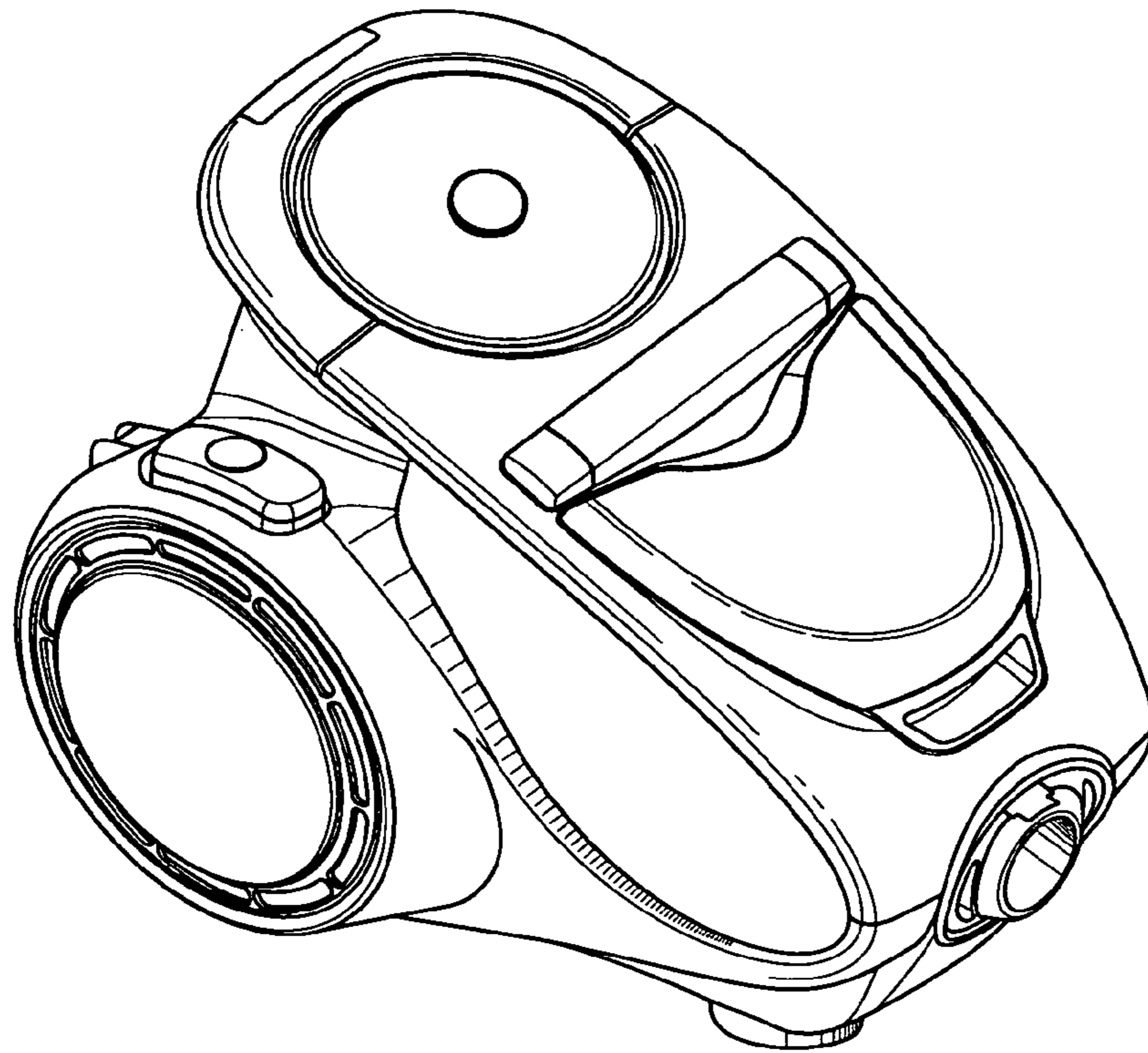
FIG. 9 is a top view thereof; and,

FIG. 10 is a bottom view thereof.

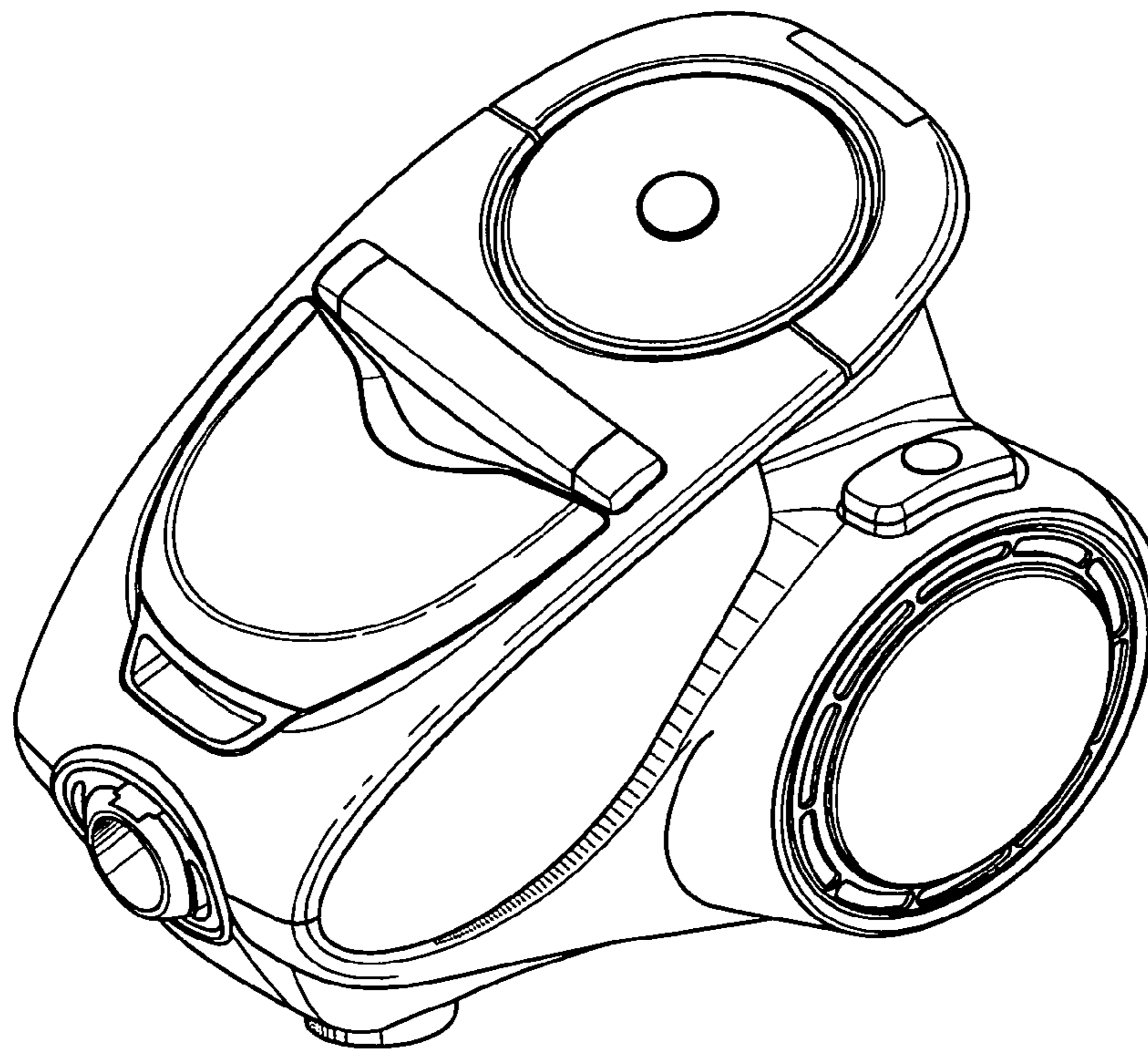
The bottom of the vacuum cleaner is not part of the claimed invention.

**1 Claim, 5 Drawing Sheets**

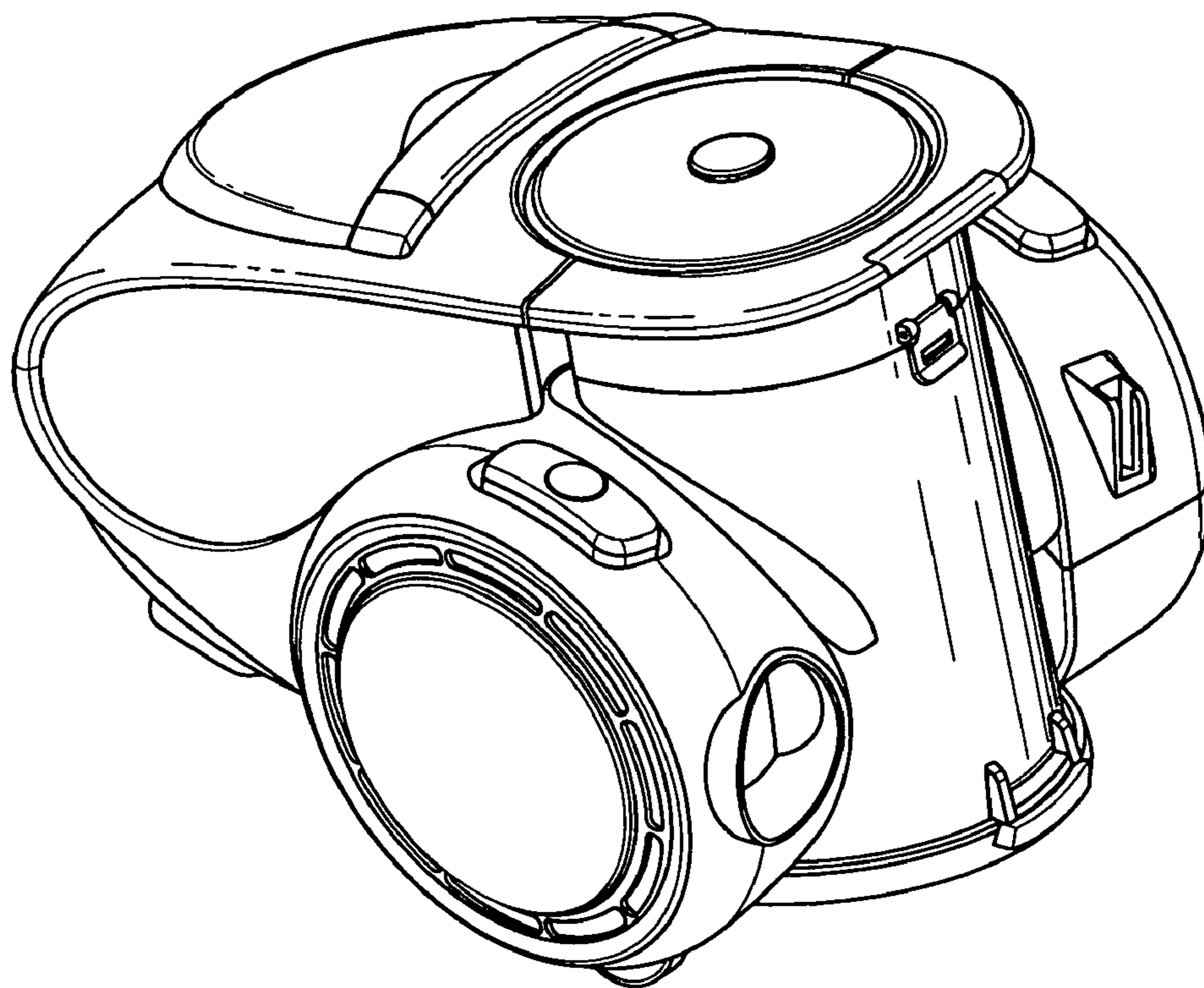




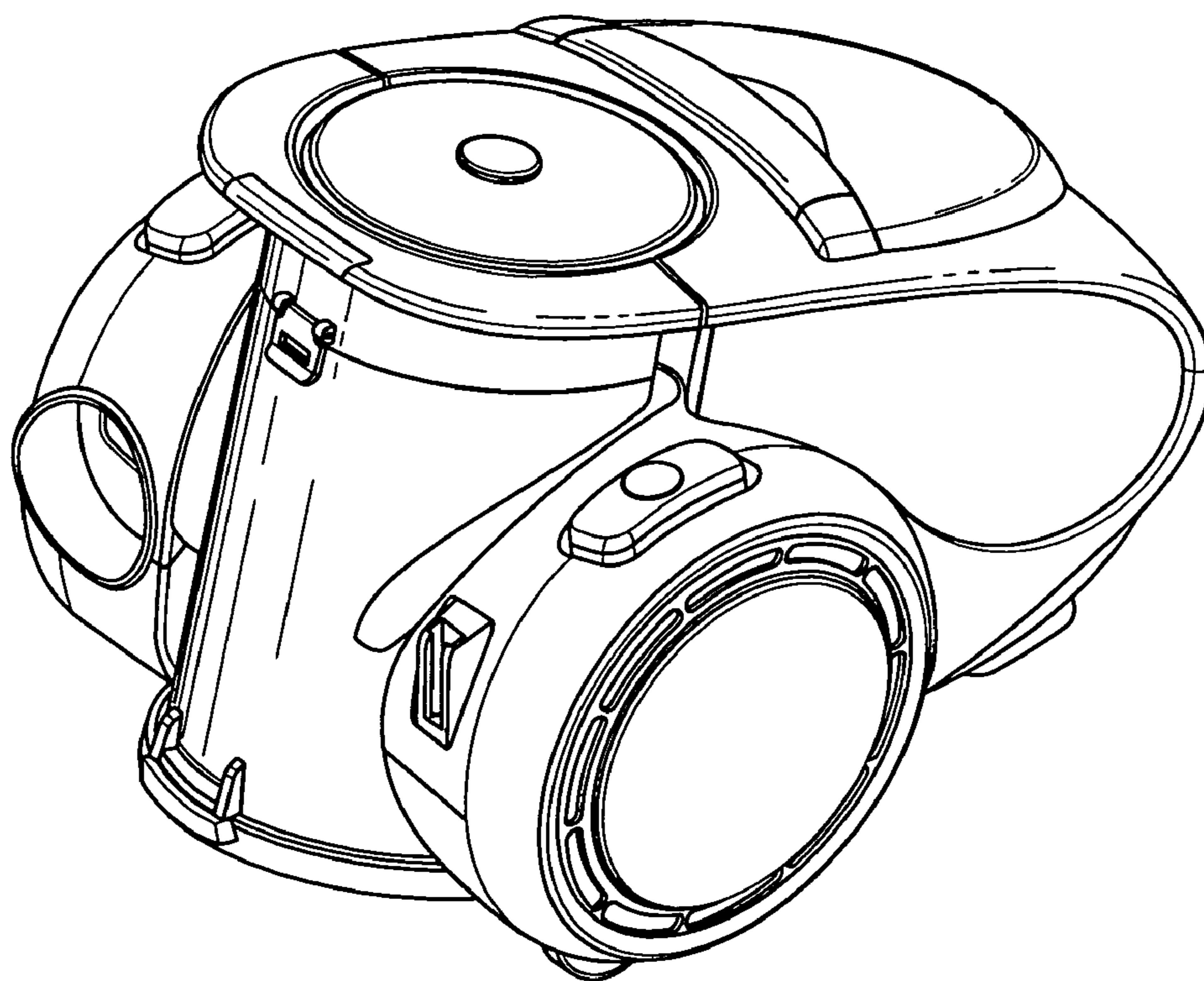
**FIG. 1**



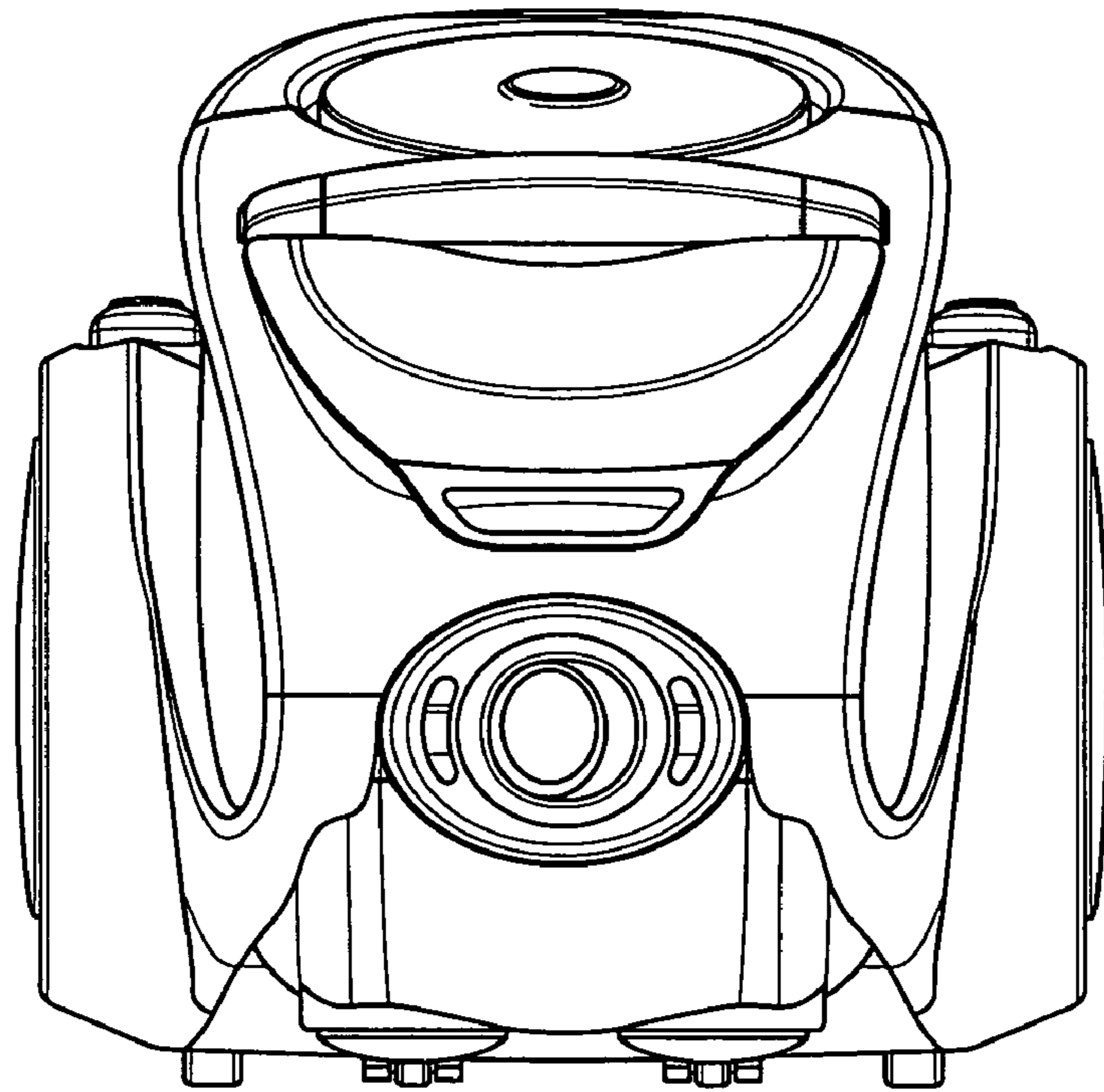
**FIG. 2**



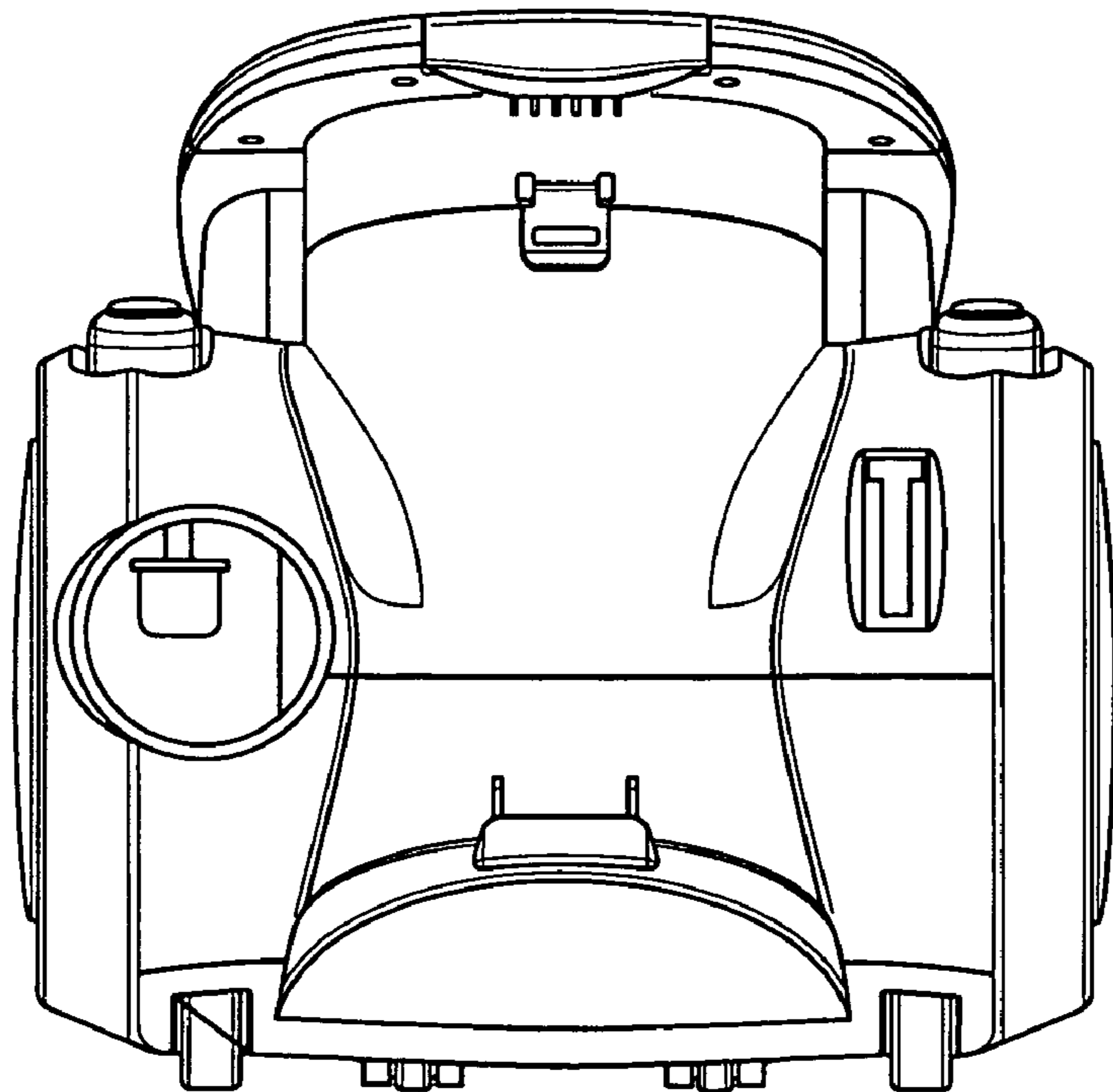
**FIG. 3**



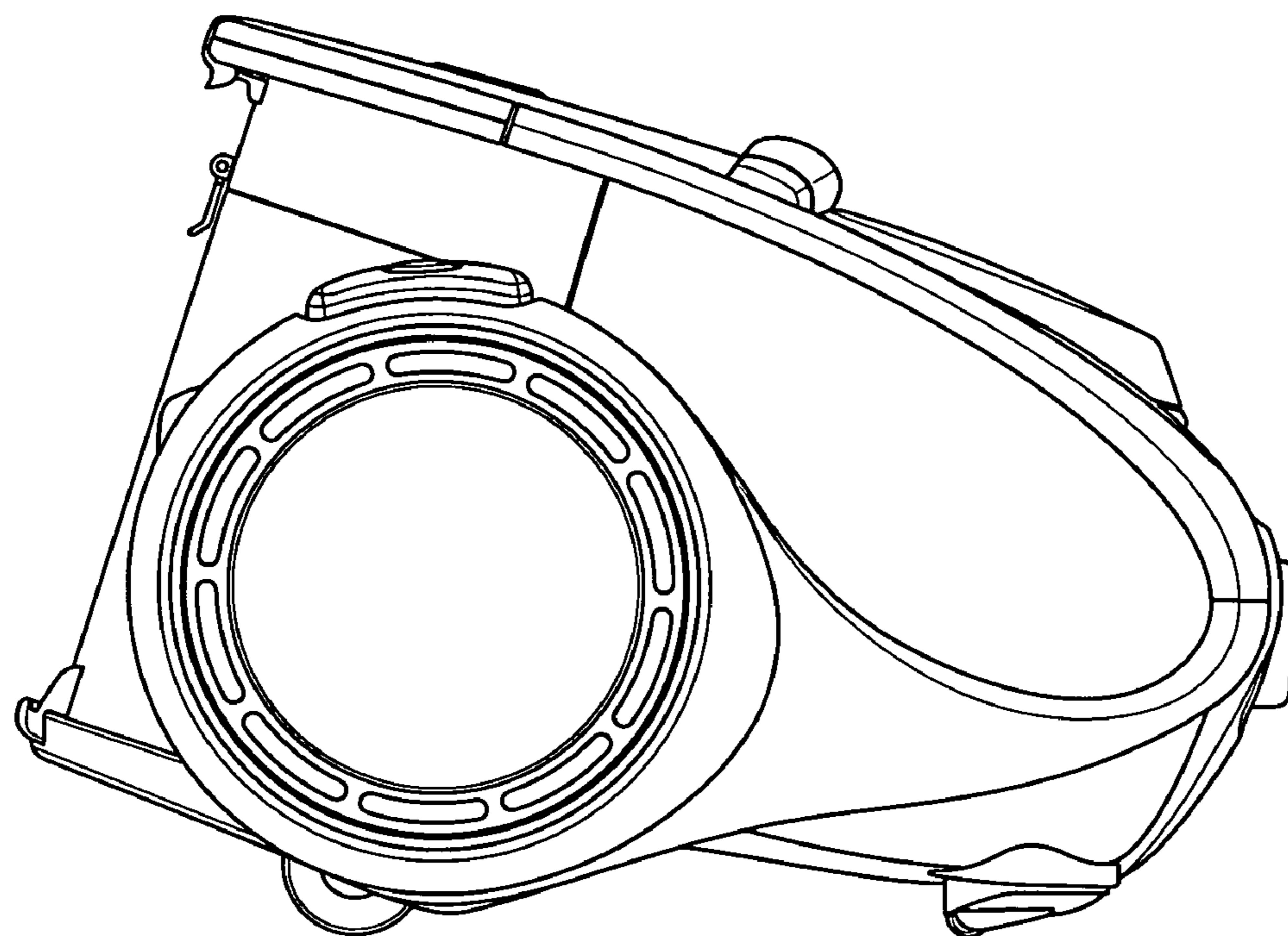
**FIG. 4**



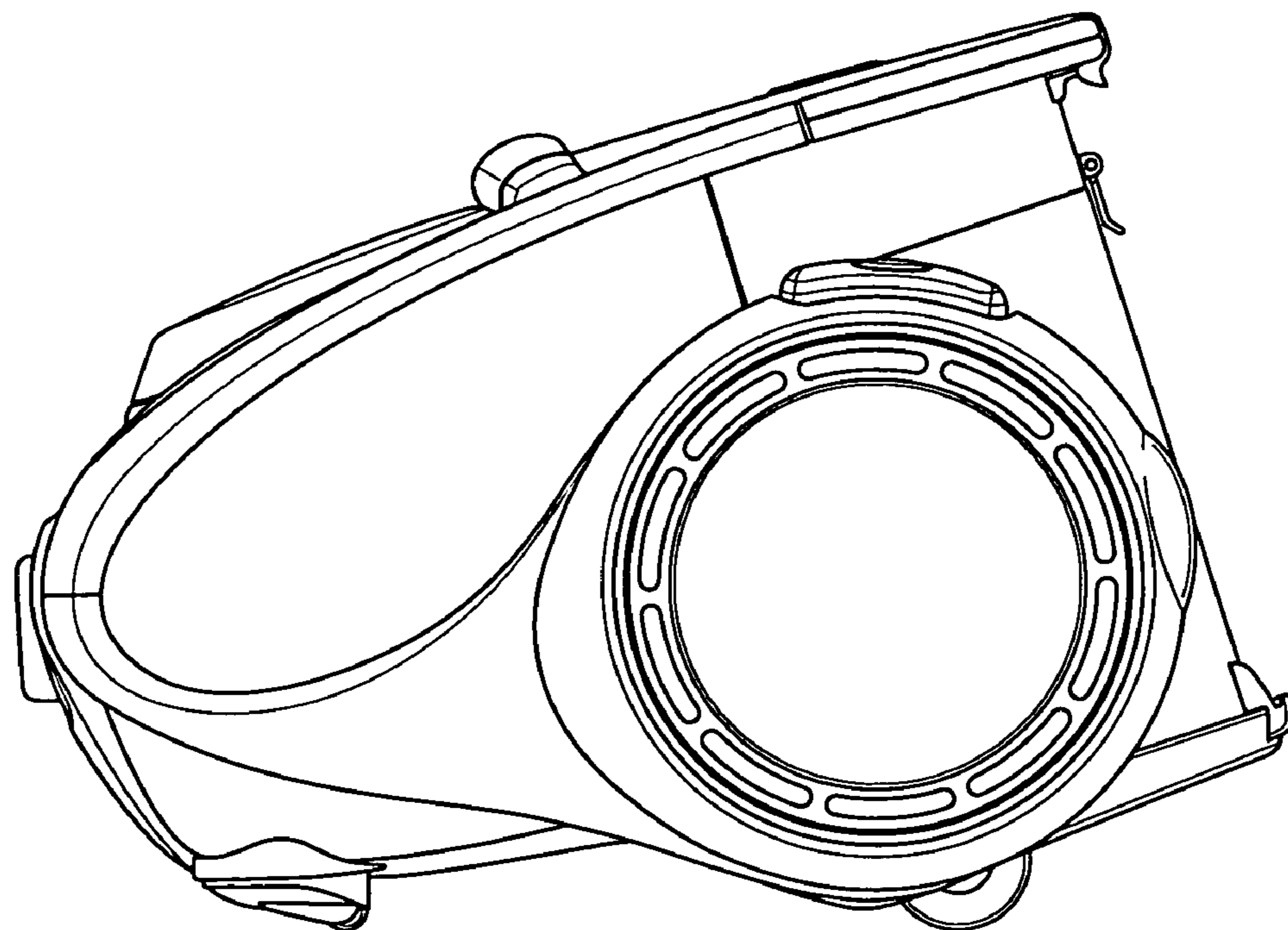
**FIG. 5**



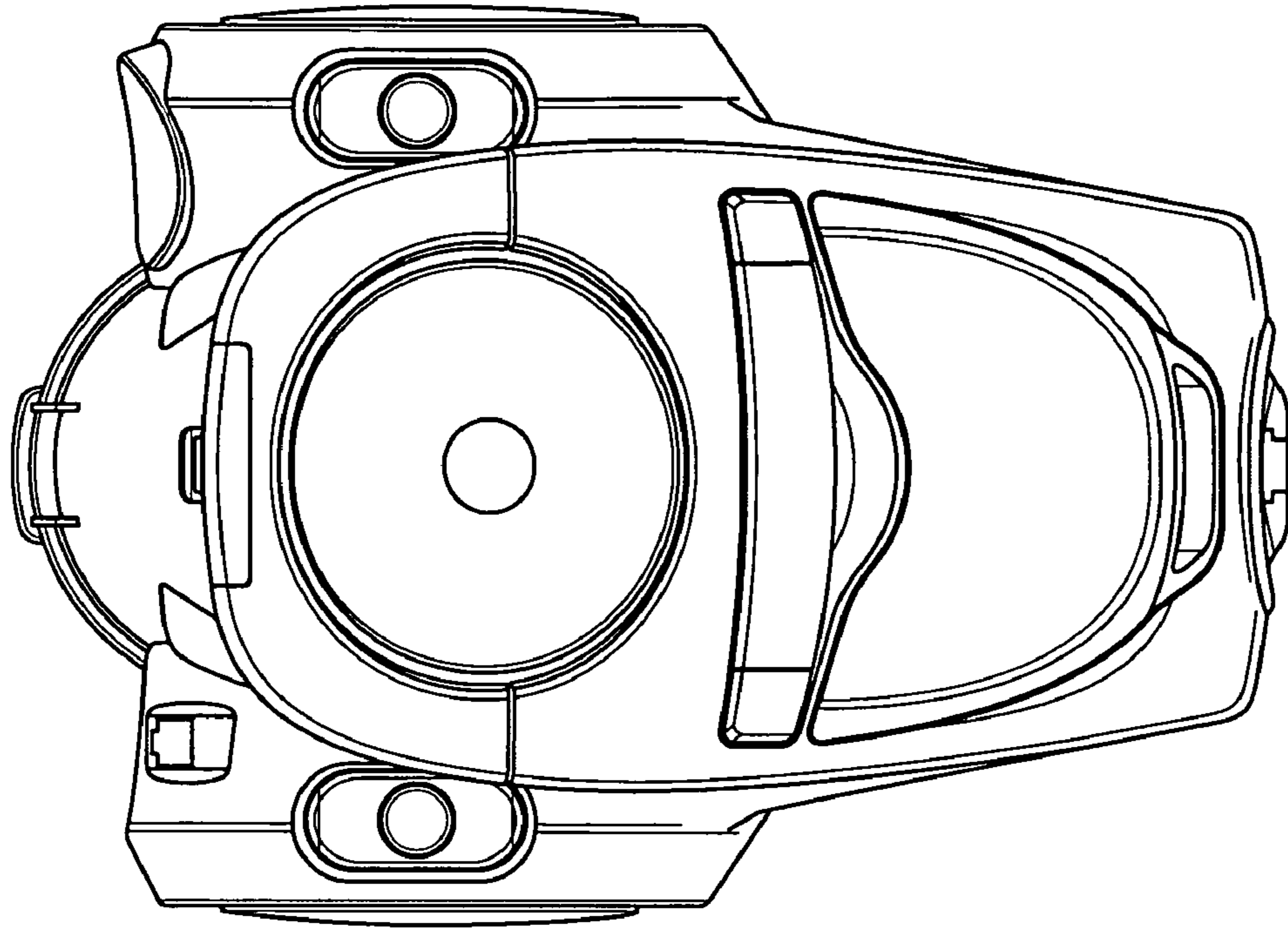
**FIG. 6**



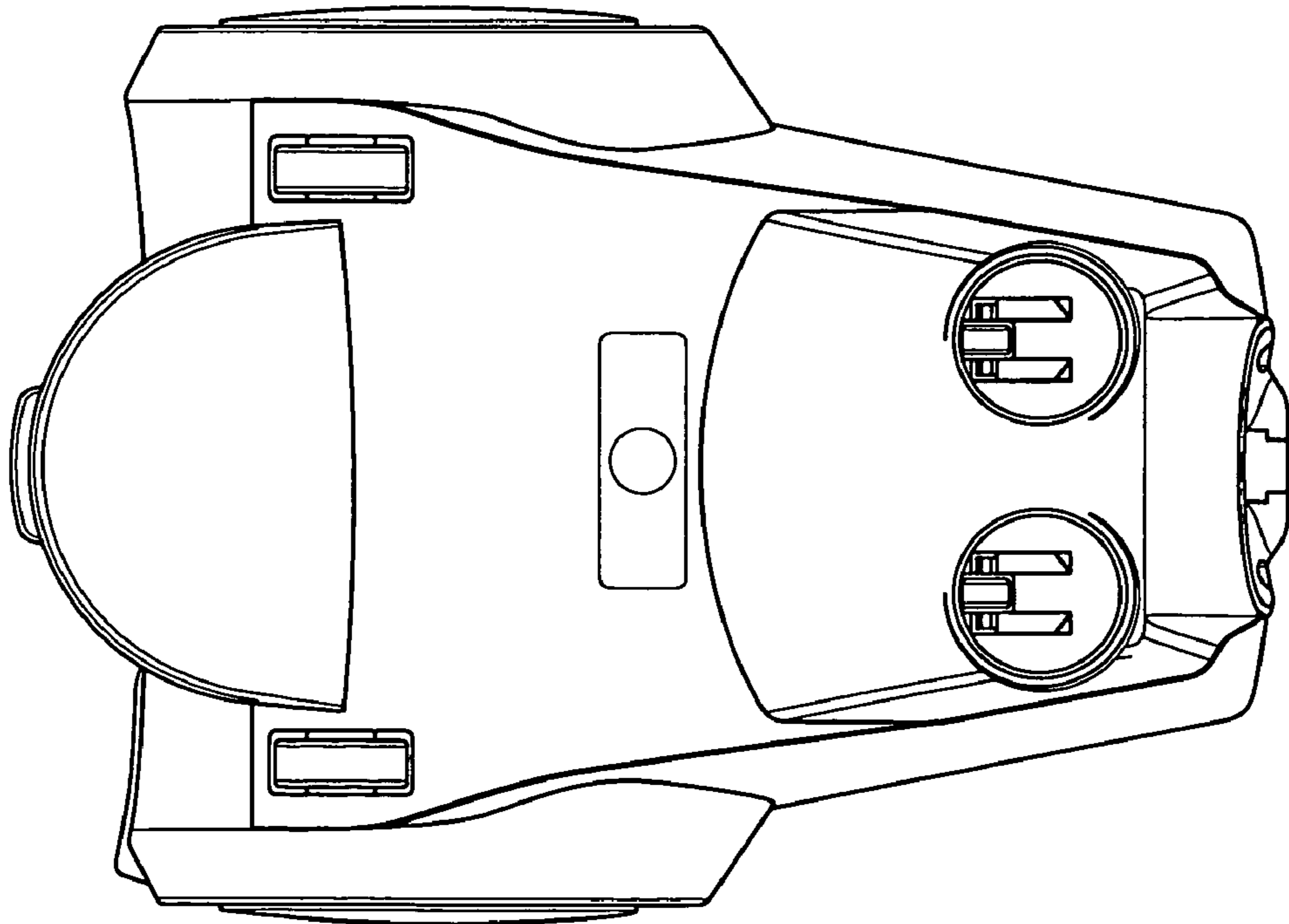
**FIG. 7**



**FIG. 8**



**FIG. 9**



**FIG. 10**