



US00D618868S

(12) **United States Design Patent**
Schouten

(10) **Patent No.:** **US D618,868 S**
(45) **Date of Patent:** **** Jun. 29, 2010**

(54) **BUFFER**

(75) Inventor: **Pieter Schouten**, Berkeley, CA (US)

(73) Assignee: **Carrand Companies, Inc.**, Compton, CA (US)

(**) Term: **14 Years**

(21) Appl. No.: **29/346,071**

(22) Filed: **Oct. 27, 2009**

(51) **LOC (9) Cl.** **15-05**

(52) **U.S. Cl.** **D32/19**

(58) **Field of Classification Search** D32/4,
D32/15, 19, 1; D8/61-62; D4/102; 15/28,
15/97.1

See application file for complete search history.

(56) **References Cited**

U.S. PATENT DOCUMENTS

D254,231	S	*	2/1980	Burglin et al.	D8/62
4,188,682	A	*	2/1980	Burglin et al.	15/97.1
D295,253	S	*	4/1988	Ashworth	D8/62
4,791,694	A	*	12/1988	Itaya et al.	15/97.1
4,965,905	A	*	10/1990	Kitahata et al.	15/97.1
D312,714	S	*	12/1990	Simonelli et al.	D32/19
D313,094	S	*	12/1990	Itaya et al.	D32/19
D349,789	S	*	8/1994	Bunyea	D32/19
D378,002	S	*	2/1997	Hung	D32/19
D418,264	S	*	12/1999	Rees	D32/19
D465,074	S	*	10/2002	McCracken et al.	D32/15
D471,681	S	*	3/2003	Krieger et al.	D32/15
D474,087	S	*	5/2003	Boyer et al.	D8/62
D476,119	S	*	6/2003	Boyer et al.	D32/15

D488,892	S	*	4/2004	Hon et al.	D32/19
6,725,491	B2	*	4/2004	Hung	15/97.1
6,810,547	B2	*	11/2004	Hung	15/28
7,047,585	B2	*	5/2006	Boyer et al.	15/97.1
2005/0051303	A1	*	3/2005	Makino et al.	165/104.26

* cited by examiner

Primary Examiner—T. Chase Nelson
Assistant Examiner—Kathleen M Sims

(74) *Attorney, Agent, or Firm*—George R. McGuire; Bond Schoeneck & King, PLLC

(57) **CLAIM**

The ornamental design for a buffer, as shown and described.

DESCRIPTION

FIG. 1 is a top, front perspective view of the buffer showing my new design;

FIG. 2 is a top, rear perspective view thereof

FIG. 3 is a left side elevation view thereof;

FIG. 4 is a right side elevation view thereof;

FIG. 5 is a front elevation view thereof;

FIG. 6 is a rear elevation view thereof;

FIG. 7 is a top plan view thereof; and

FIG. 8 is a bottom pan view thereof;

FIG. 9 is a bottom, right side perspective view thereof; and,

FIG. 10 is a bottom, left side perspective view thereof.

The broken line showing of details in FIGS. 1-10 is included for the purpose of showing environmental portions of the buffer and forms no part of the claimed design.

1 Claim, 6 Drawing Sheets

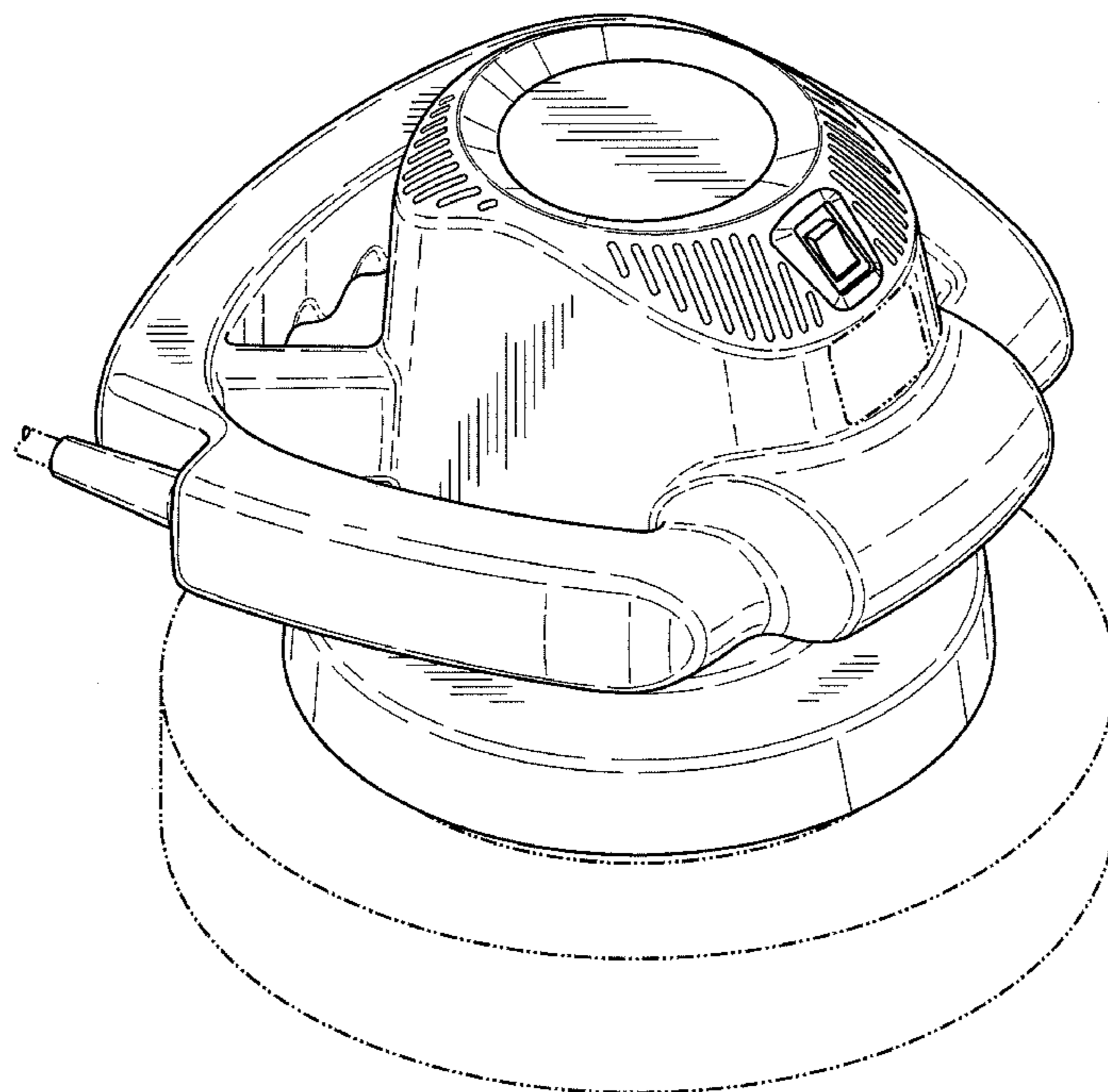
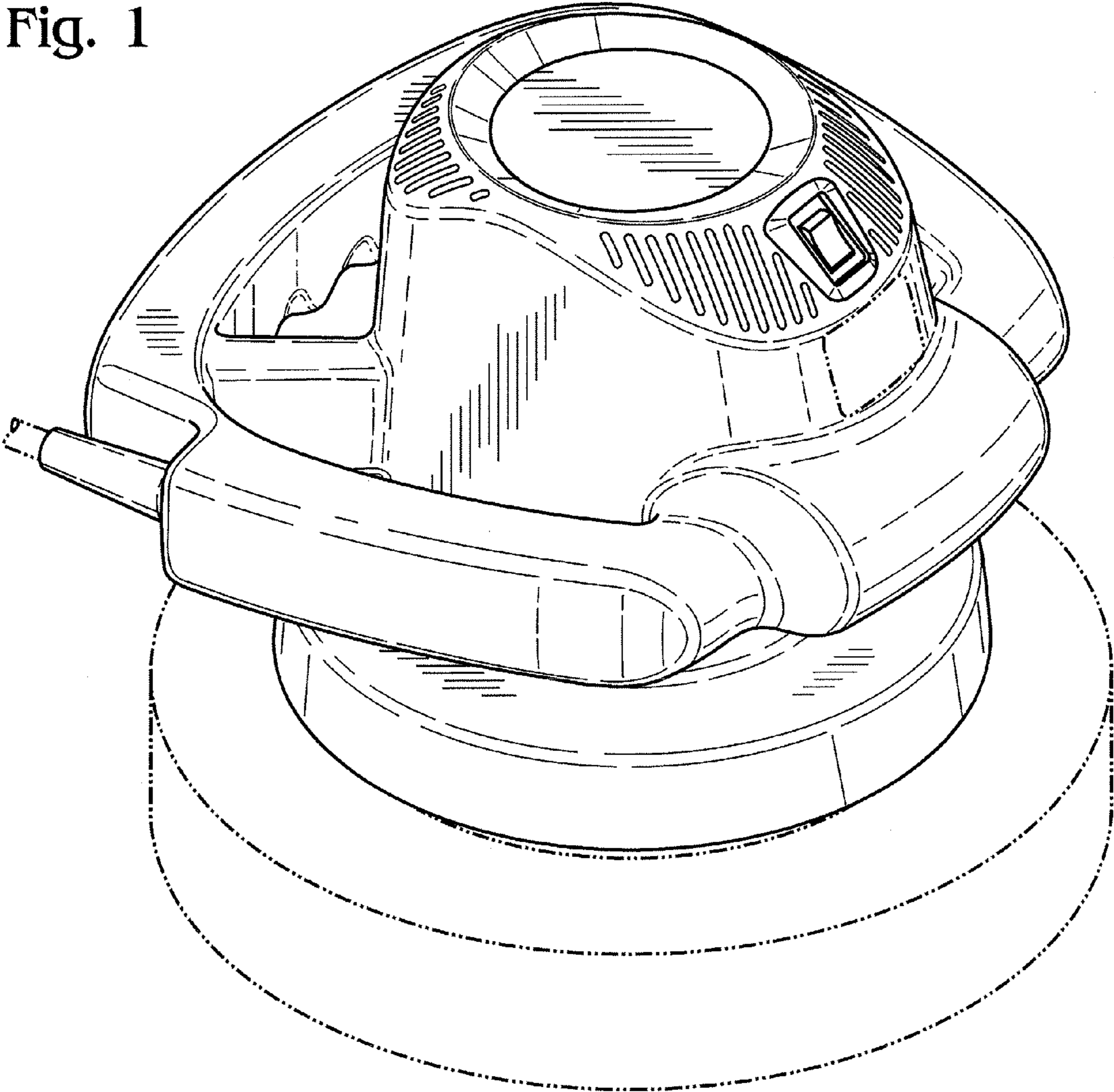


Fig. 1



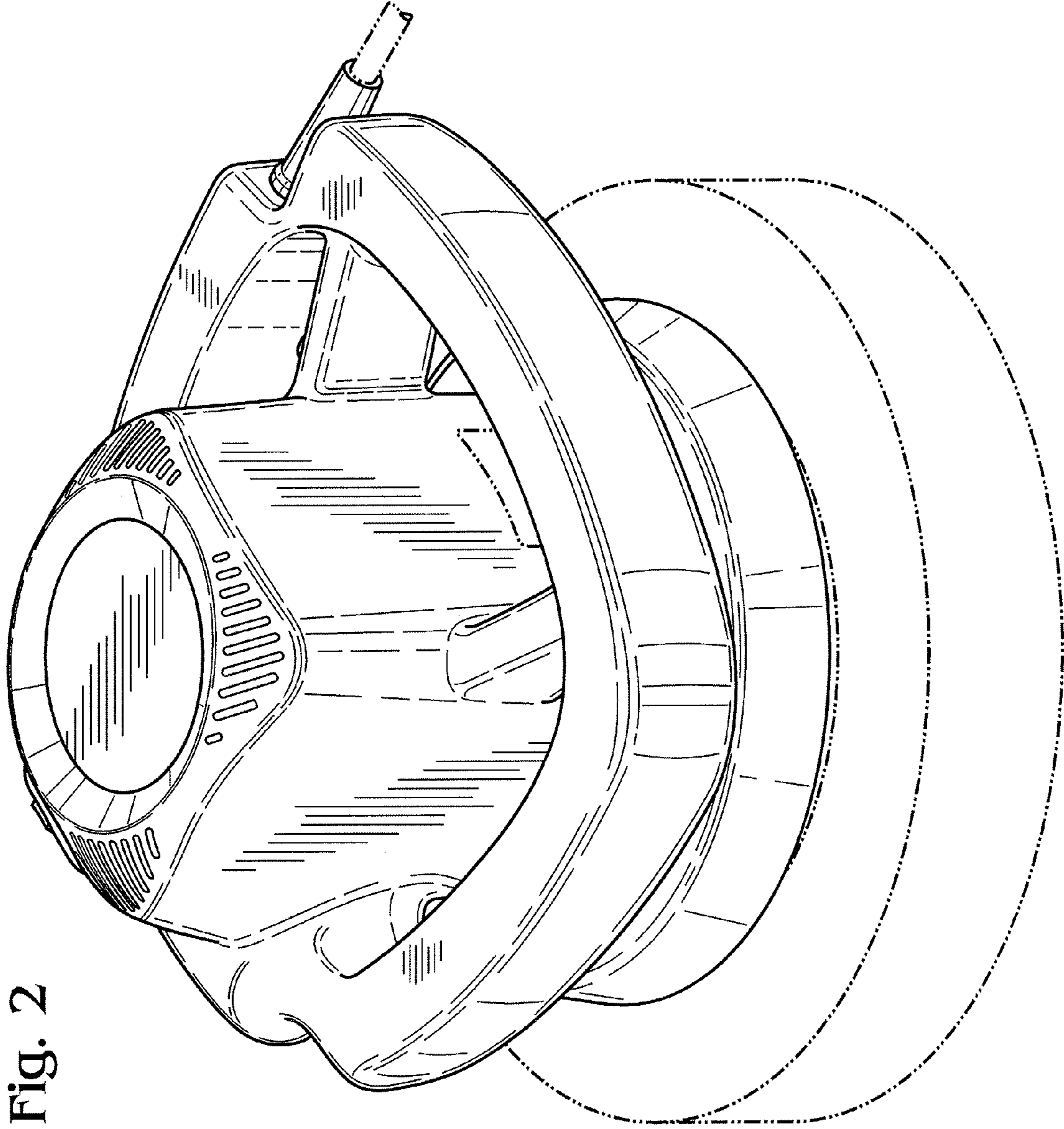


Fig. 2

Fig. 3

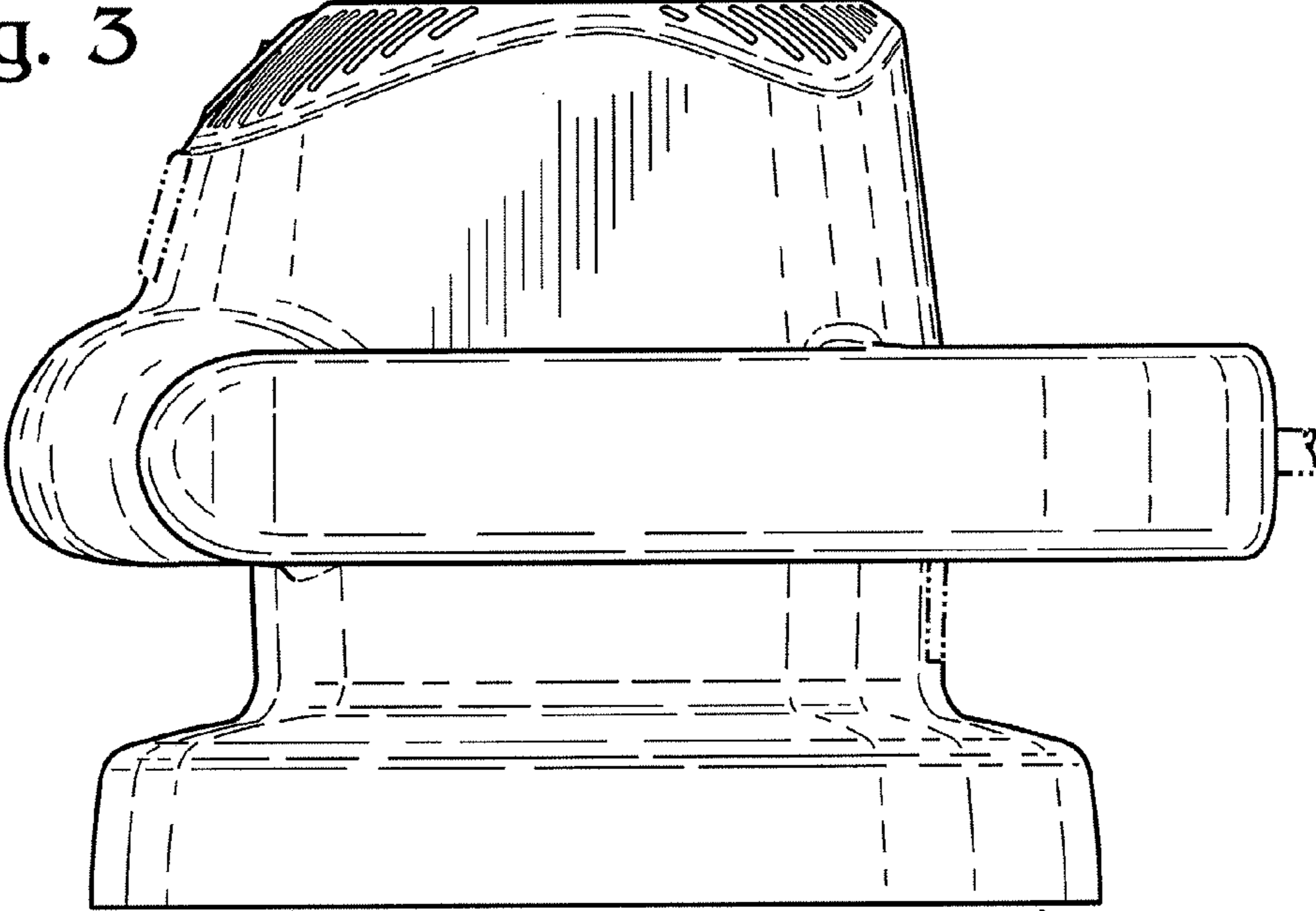


Fig. 4

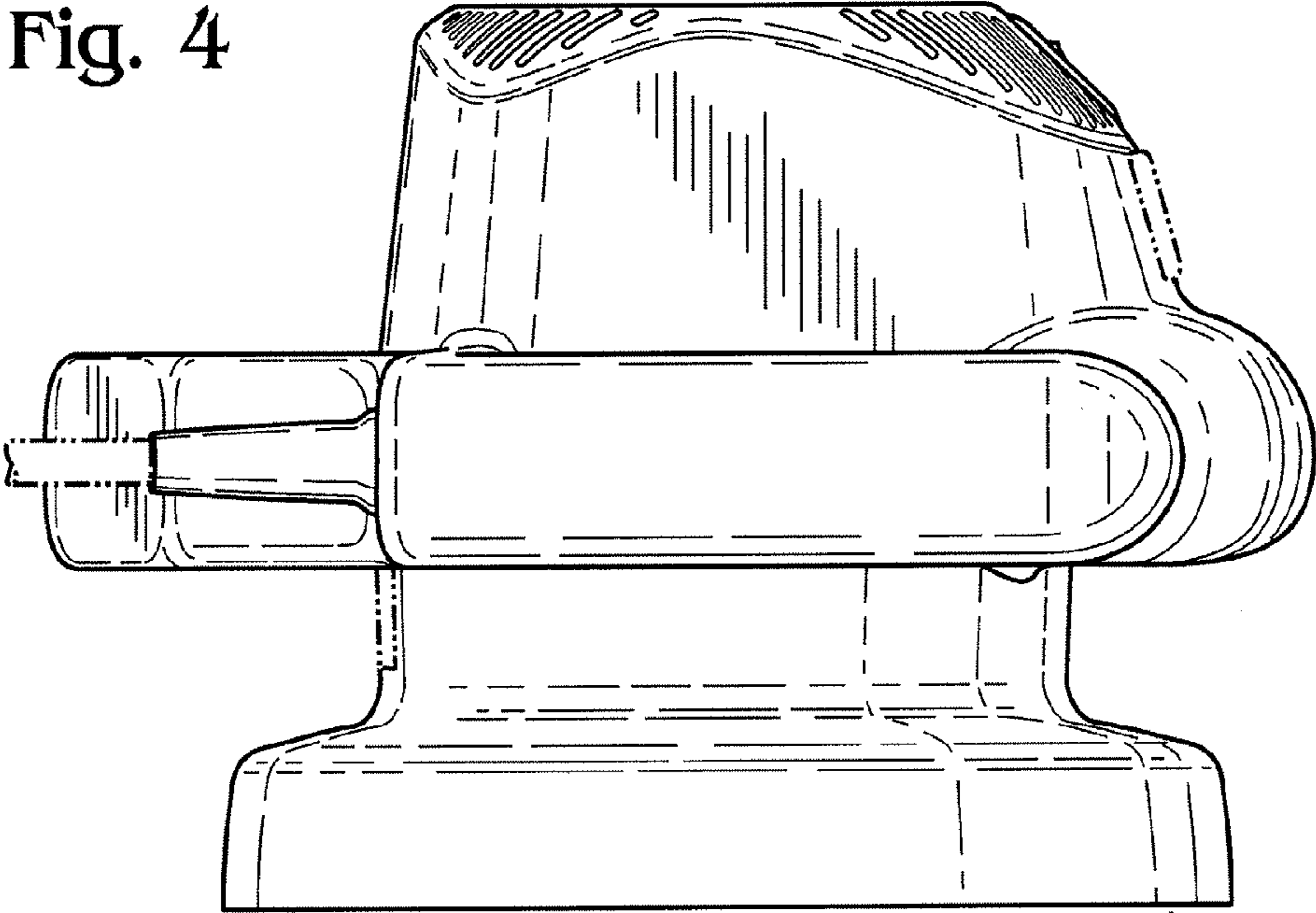


Fig. 5

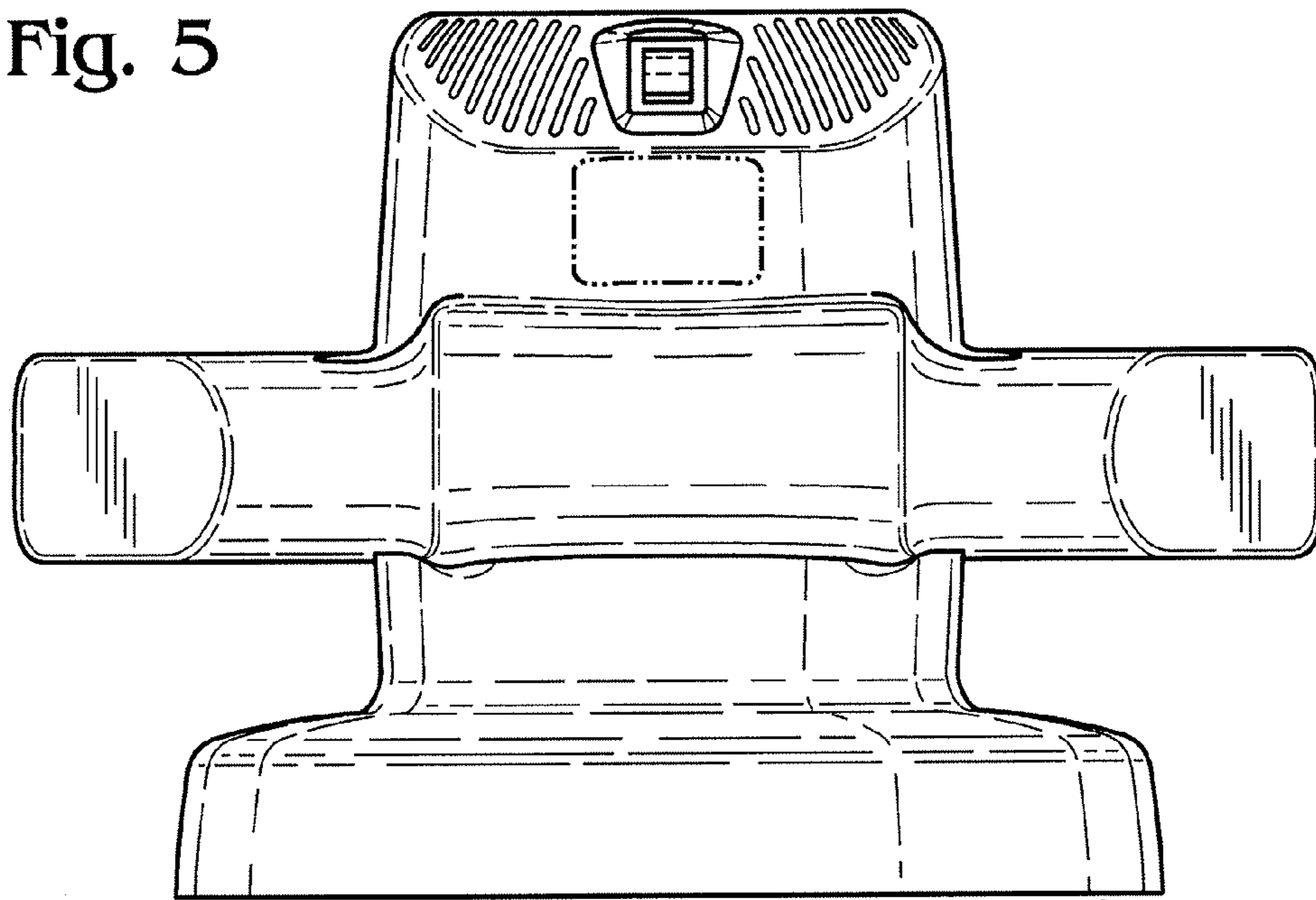


Fig. 6

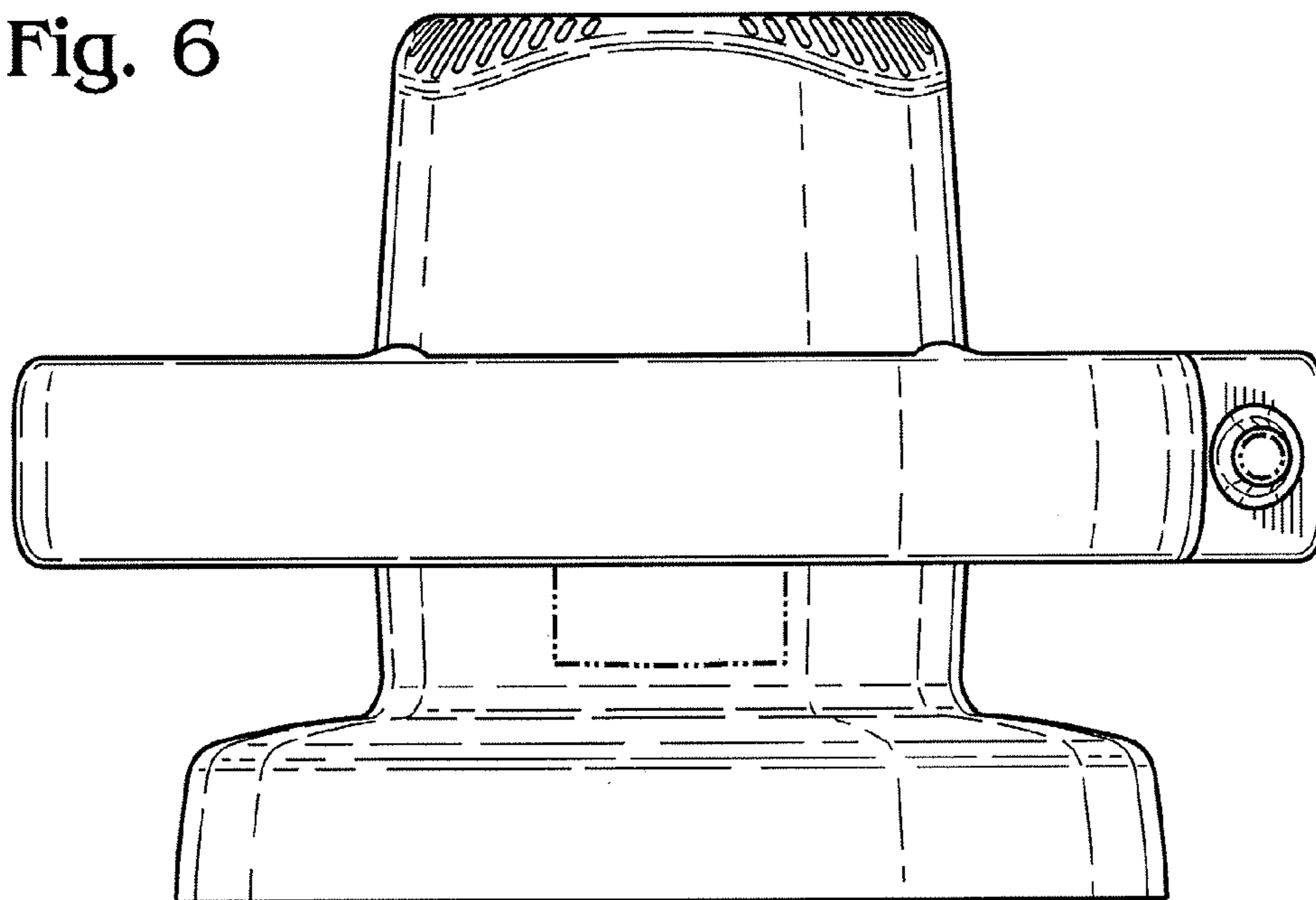


Fig. 7

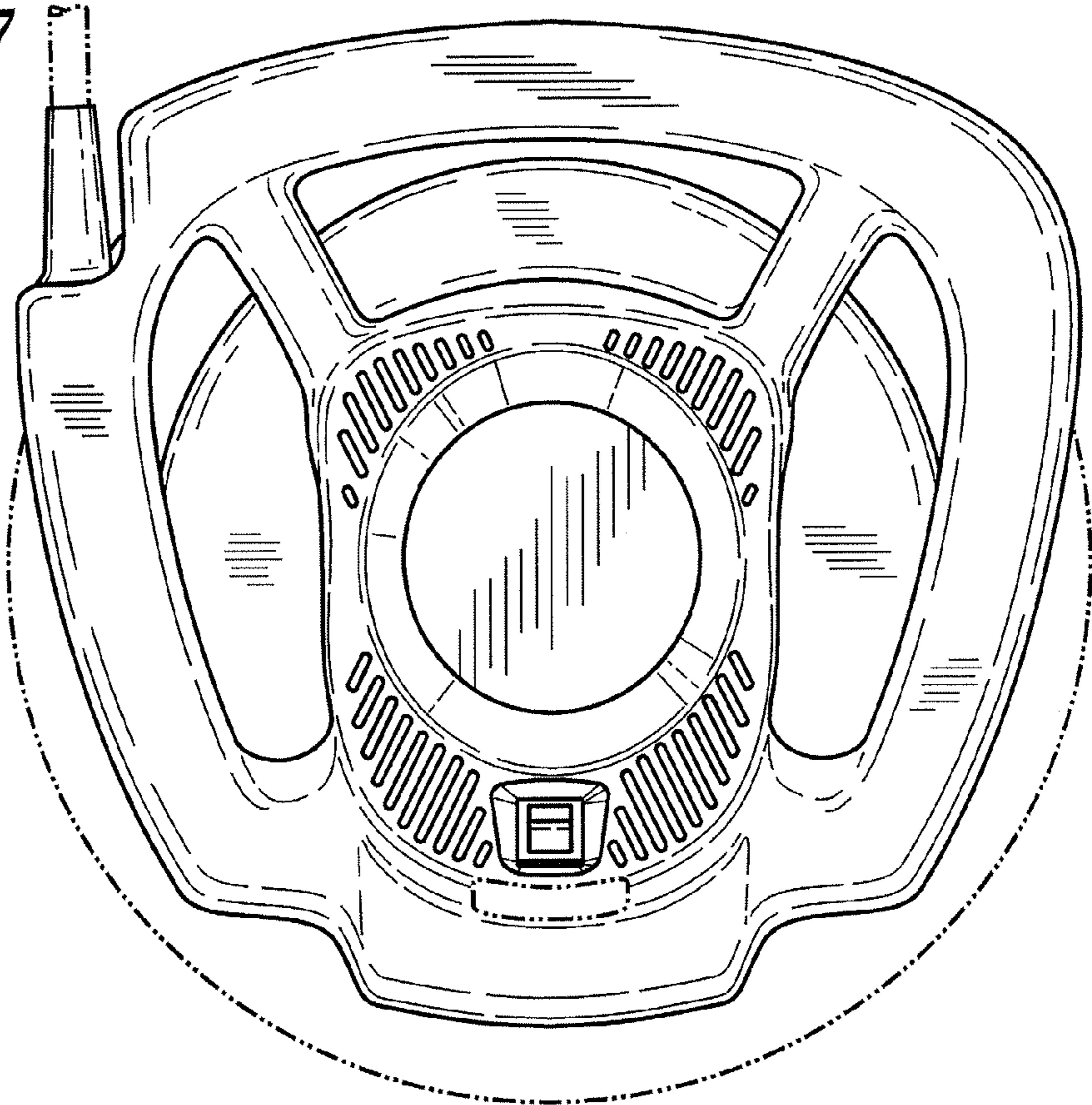


Fig. 8

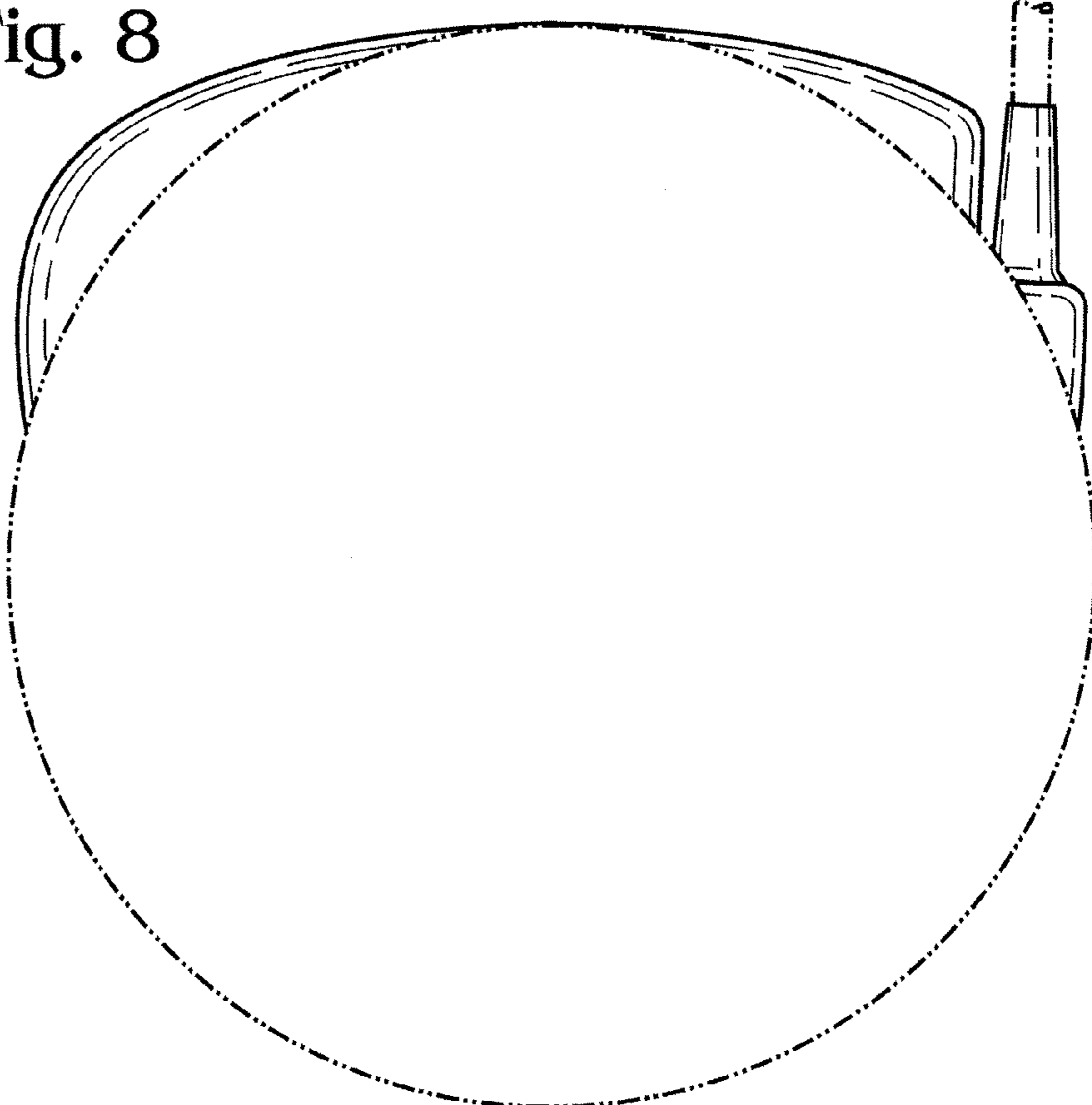


Fig. 10

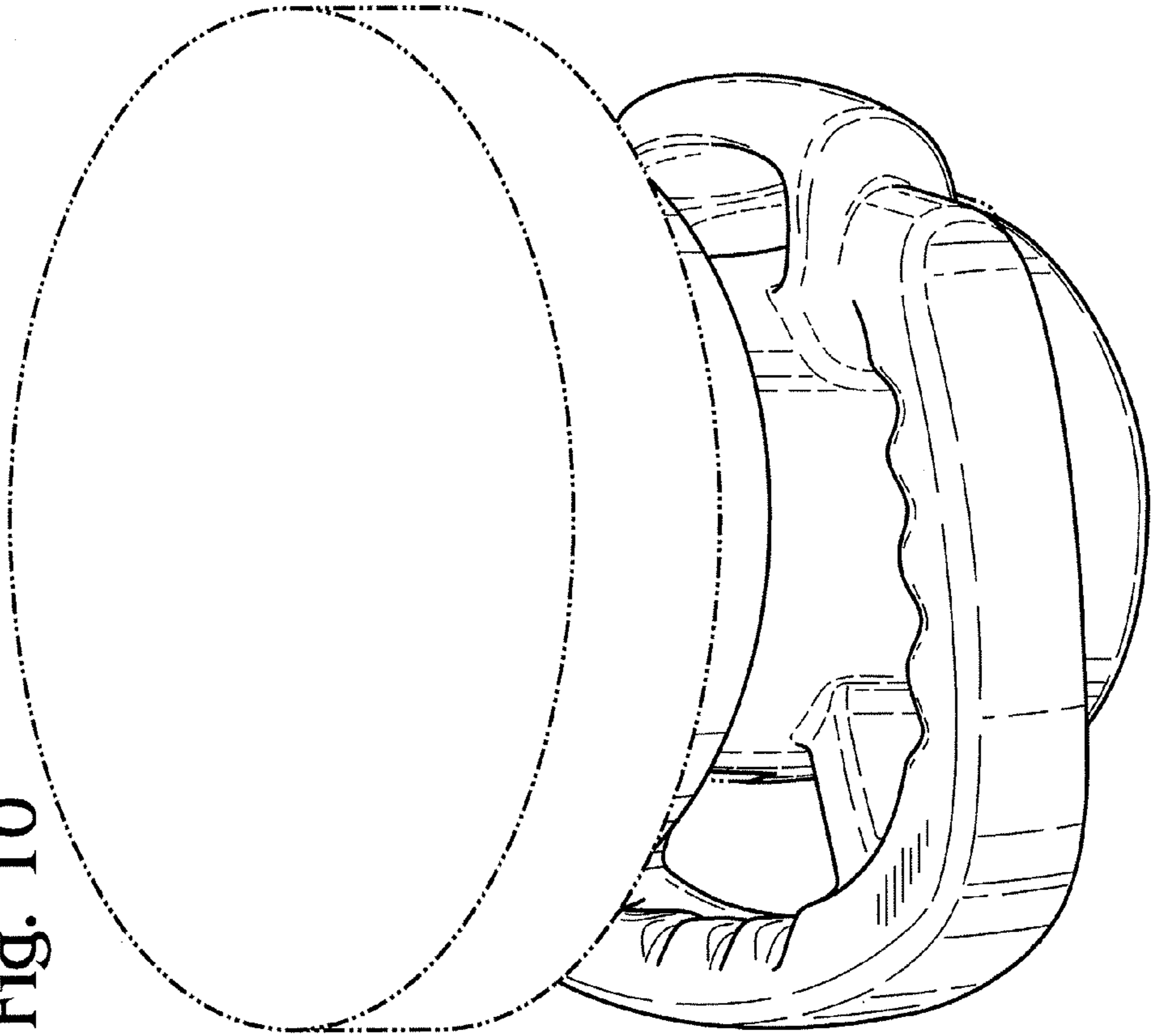


Fig. 9

