



US00D618867S

(12) **United States Design Patent**  
**Schouten**

(10) **Patent No.:** **US D618,867 S**

(45) **Date of Patent:** **\*\* Jun. 29, 2010**

(54) **BUFFER**

(75) Inventor: **Pieter Schouten**, Berkley, CA (US)

(73) Assignee: **Carrand Companies, Inc.**, Compton, CA (US)

(\*\*) Term: **14 Years**

(21) Appl. No.: **29/345,777**

(22) Filed: **Oct. 22, 2009**

(51) **LOC (9) Cl.** ..... **15-05**

(52) **U.S. Cl.** ..... **D32/19**

(58) **Field of Classification Search** ..... D32/1,  
D32/15, 19; D8/61-62; D4/102; 15/28,  
15/97.1

See application file for complete search history.

(56) **References Cited**

**U.S. PATENT DOCUMENTS**

|              |         |                     |       |        |
|--------------|---------|---------------------|-------|--------|
| D326,398 S * | 5/1992  | Fushiya et al.      | ..... | D8/62  |
| D345,089 S * | 3/1994  | Kikuchi et al.      | ..... | D8/62  |
| D380,950 S * | 7/1997  | Gildersleeve et al. | ..... | D8/62  |
| D386,376 S * | 11/1997 | Kaneko et al.       | ..... | D8/62  |
| D392,861 S * | 3/1998  | Gildersleeve et al. | ..... | D8/62  |
| D408,245 S * | 4/1999  | Evans et al.        | ..... | D8/62  |
| D418,263 S * | 12/1999 | Rees                | ..... | D32/19 |
| D448,262 S * | 9/2001  | Heun                | ..... | D8/62  |
| D468,178 S * | 1/2003  | Wright et al.       | ..... | D8/62  |
| D469,932 S * | 2/2003  | Liang-Ming          | ..... | D32/15 |
| D469,933 S * | 2/2003  | Liang-Ming          | ..... | D32/15 |
| D475,818 S * | 6/2003  | Krieger et al.      | ..... | D32/15 |

|              |        |                |       |        |
|--------------|--------|----------------|-------|--------|
| D478,488 S * | 8/2003 | Bruno et al.   | ..... | D8/62  |
| D489,151 S * | 4/2004 | Krieger et al. | ..... | D32/15 |
| D528,886 S * | 9/2006 | Heun           | ..... | D8/62  |
| D541,496 S * | 4/2007 | Bakker         | ..... | D32/19 |
| D559,640 S * | 1/2008 | Kraus et al.   | ..... | D8/62  |
| D585,258 S * | 1/2009 | Nojiri et al.  | ..... | D8/62  |

\* cited by examiner

*Primary Examiner*—T. Chase Nelson

*Assistant Examiner*—Kathleen M Sims

(74) *Attorney, Agent, or Firm*—George R. McGuire; Bond Schoeneck & King, PLLC

(57) **CLAIM**

The ornamental design for a buffer, as shown and described.

**DESCRIPTION**

FIG. 1 is a top, front perspective view of the buffer showing my new design;

FIG. 2 is a rear perspective view thereof;

FIG. 3 is a front elevation view thereof;

FIG. 4 is a rear elevation view thereof;

FIG. 5 is a left side elevation view thereof;

FIG. 6 is a right side elevation view thereof;

FIG. 7 is a top plan view thereof; and,

FIG. 8 is a bottom pan view thereof.

The broken line showing of details in FIGS. 1-8 is included for the purpose of showing environmental portions of the Buffer and forms no part of the claimed design.

**1 Claim, 5 Drawing Sheets**

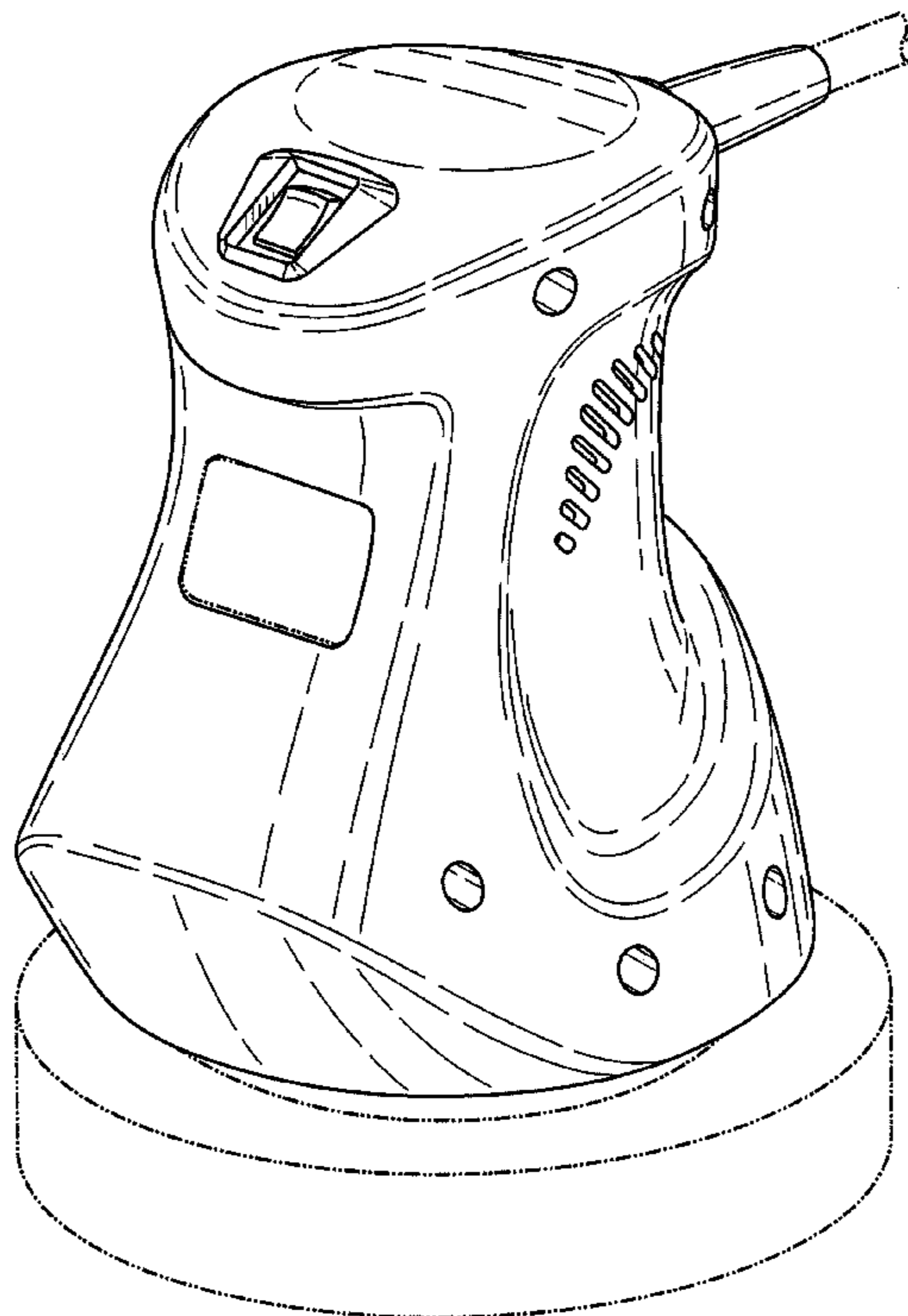


Fig. 1

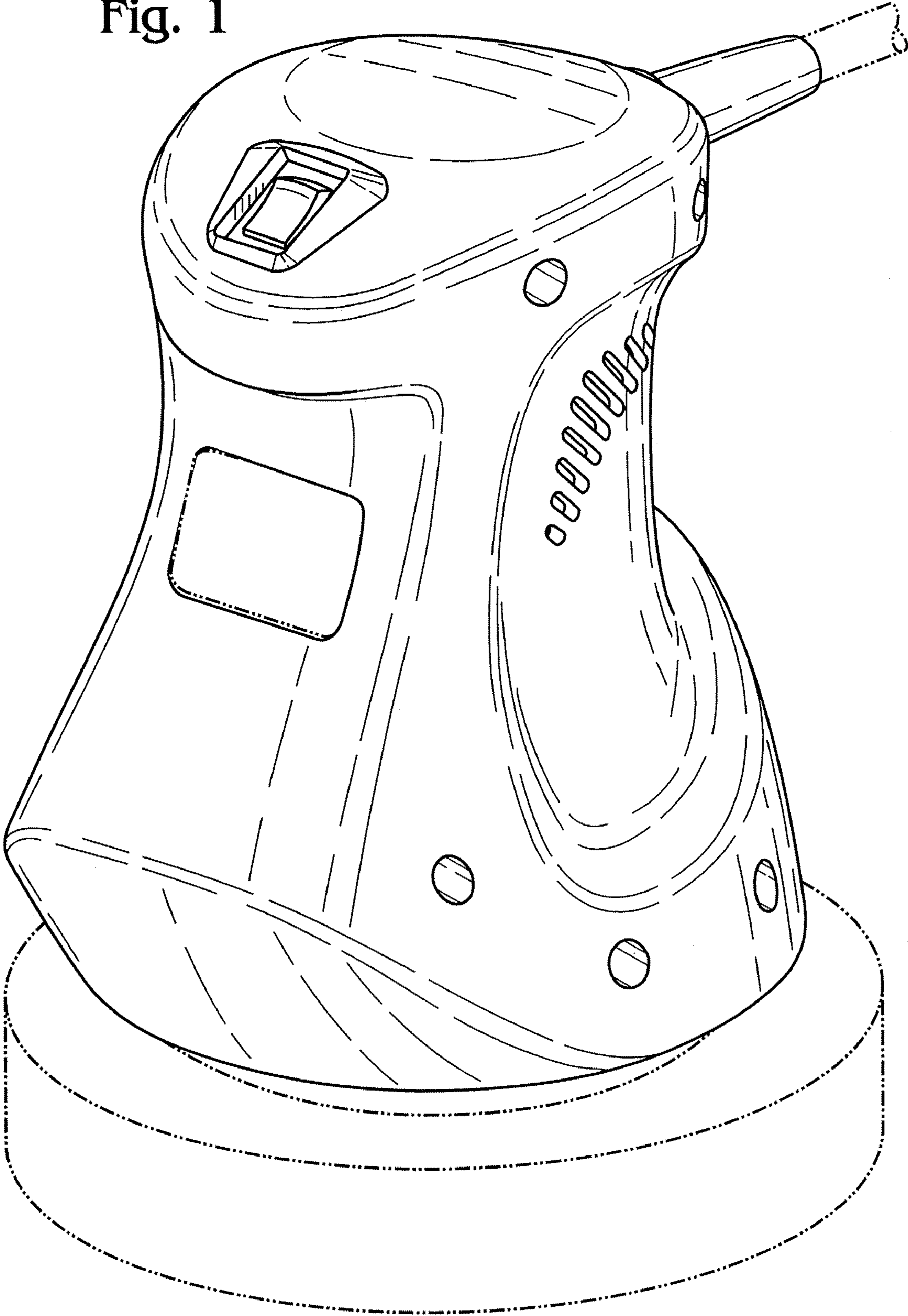
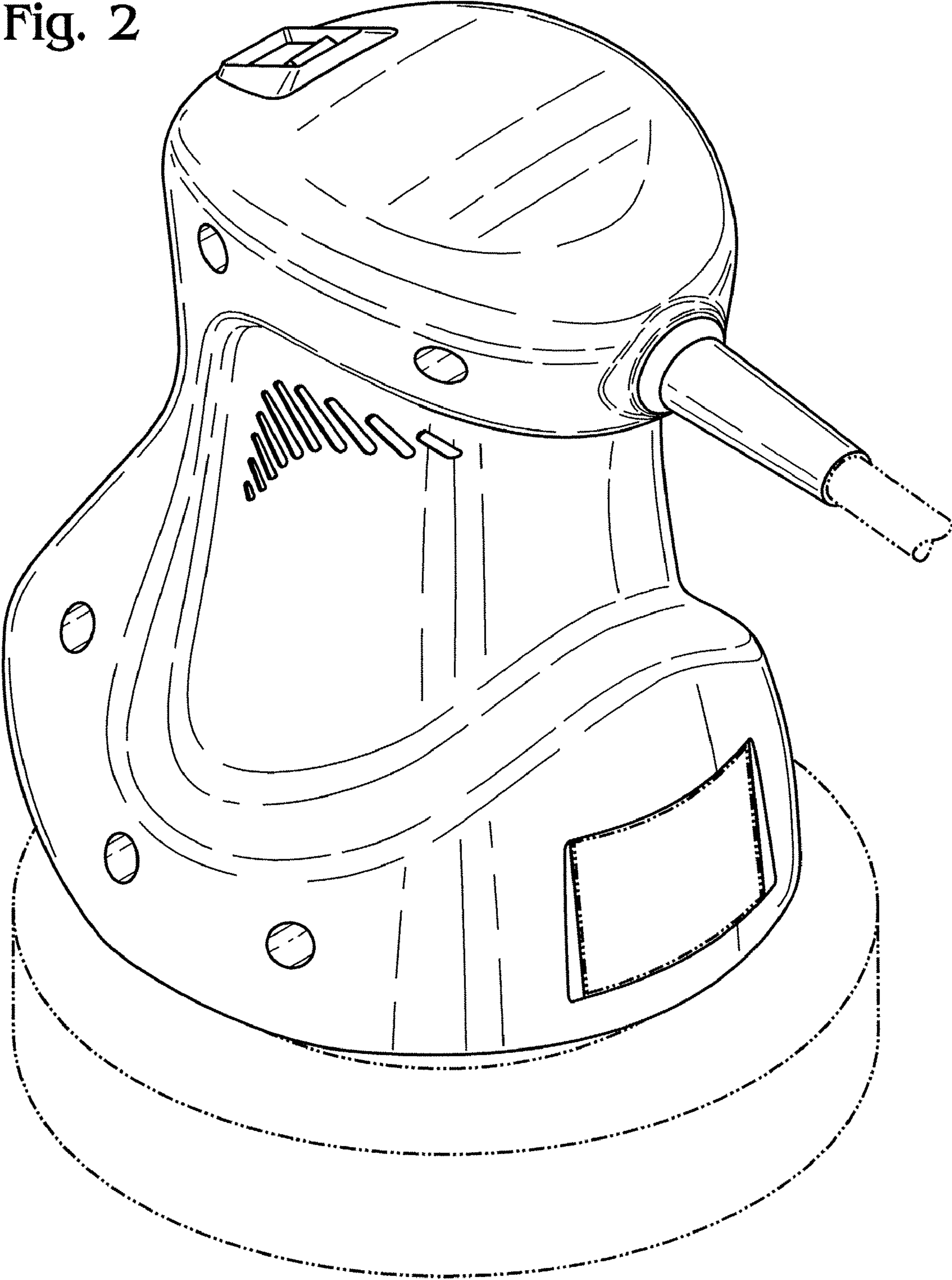


Fig. 2





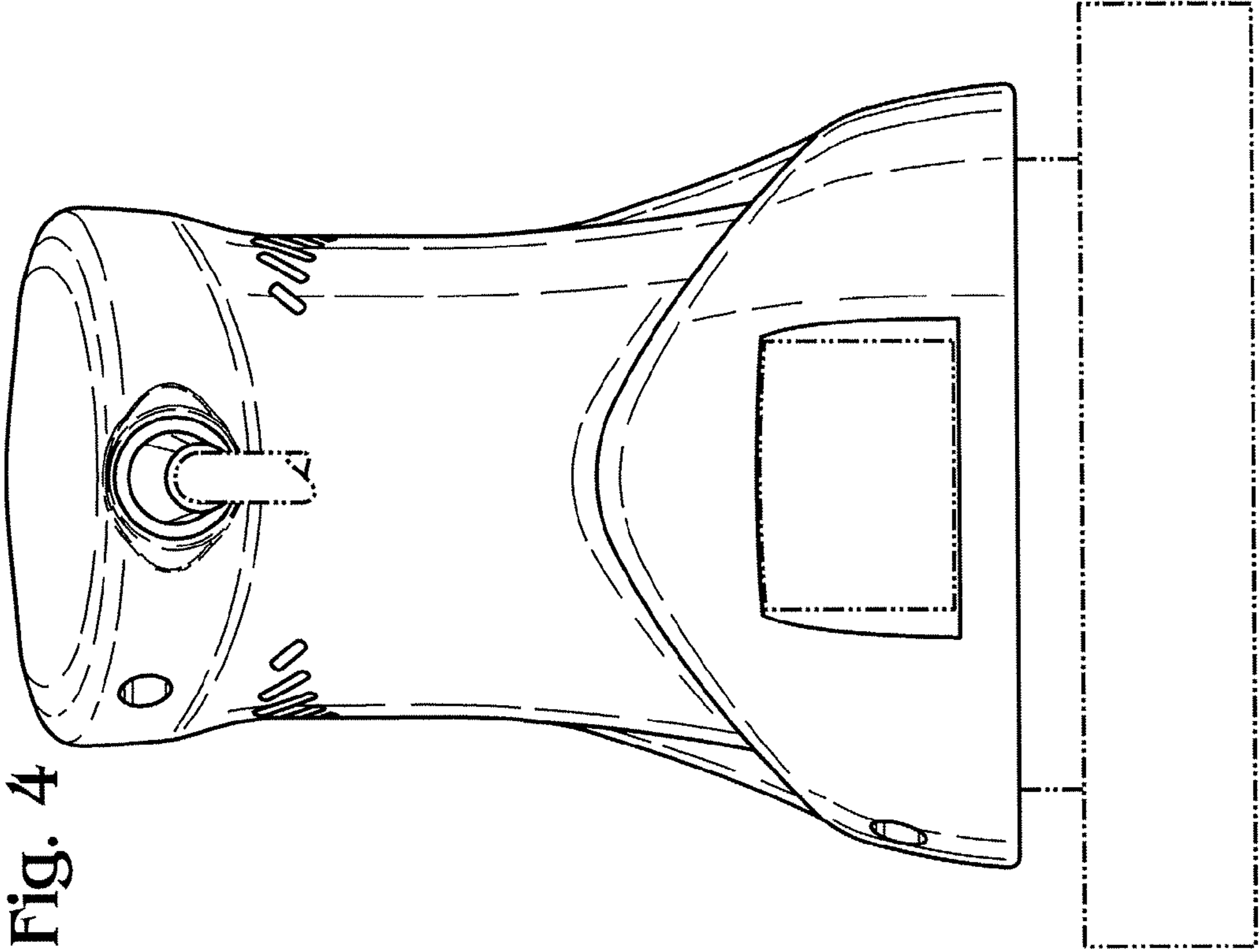


Fig. 4

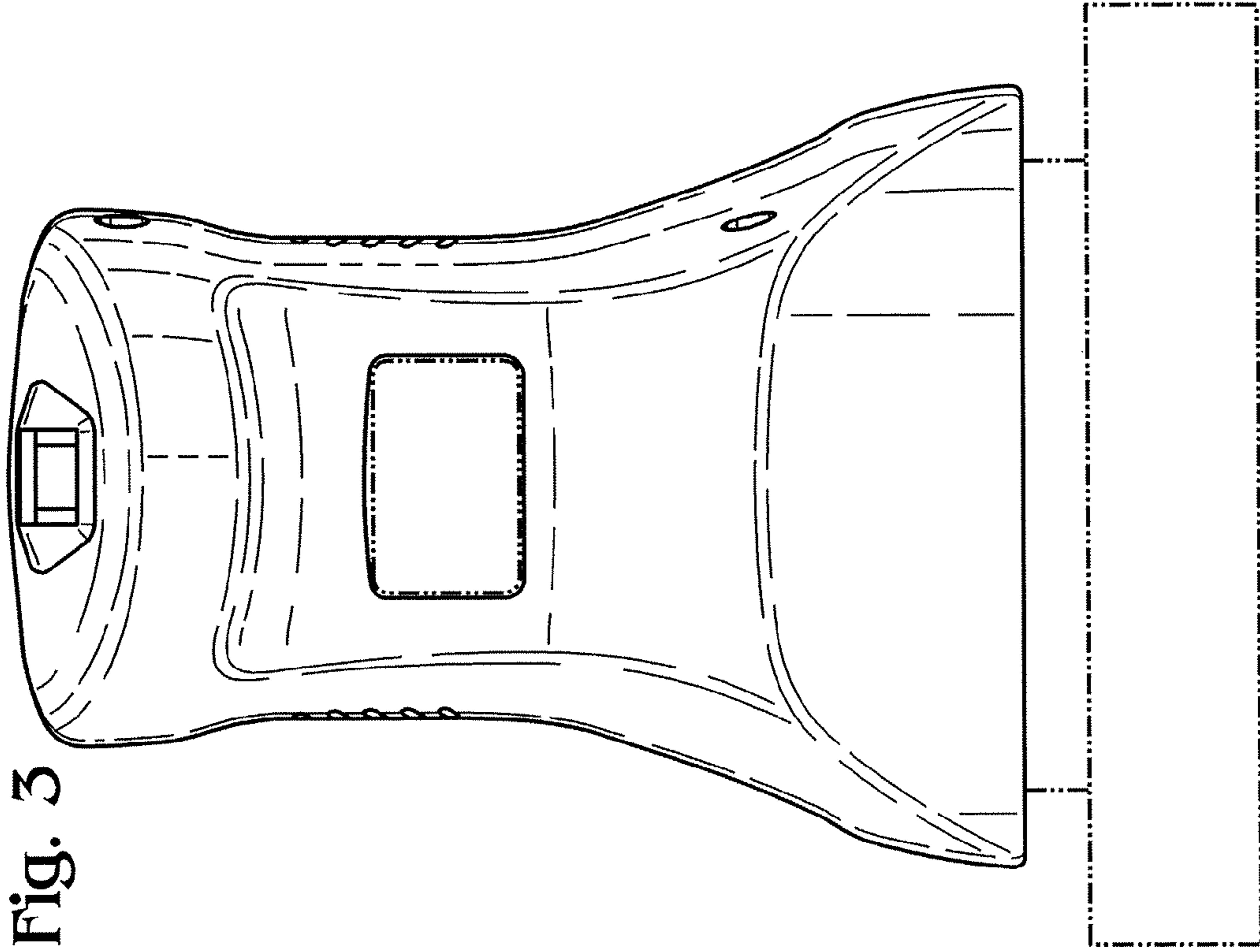


Fig. 3

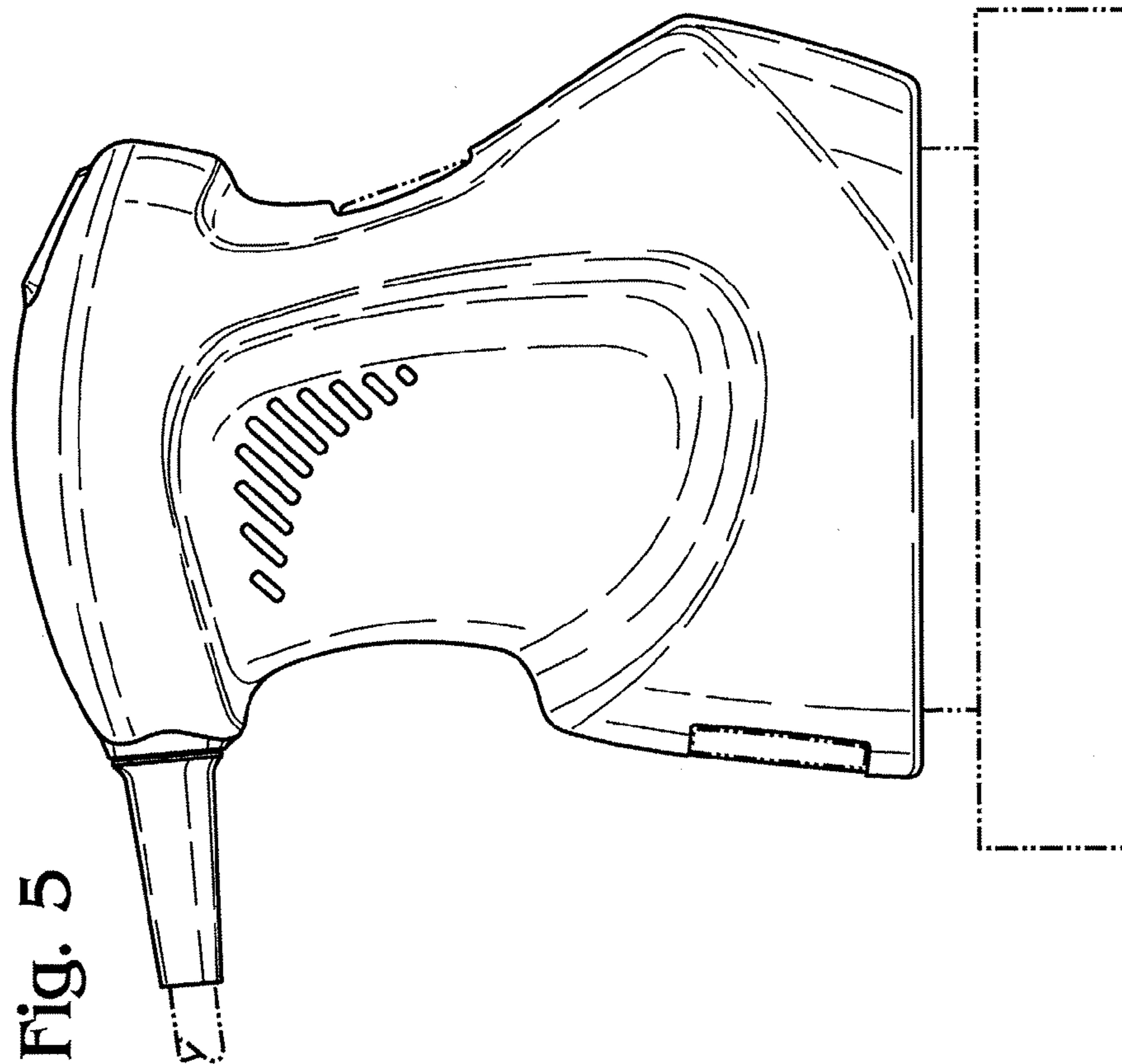
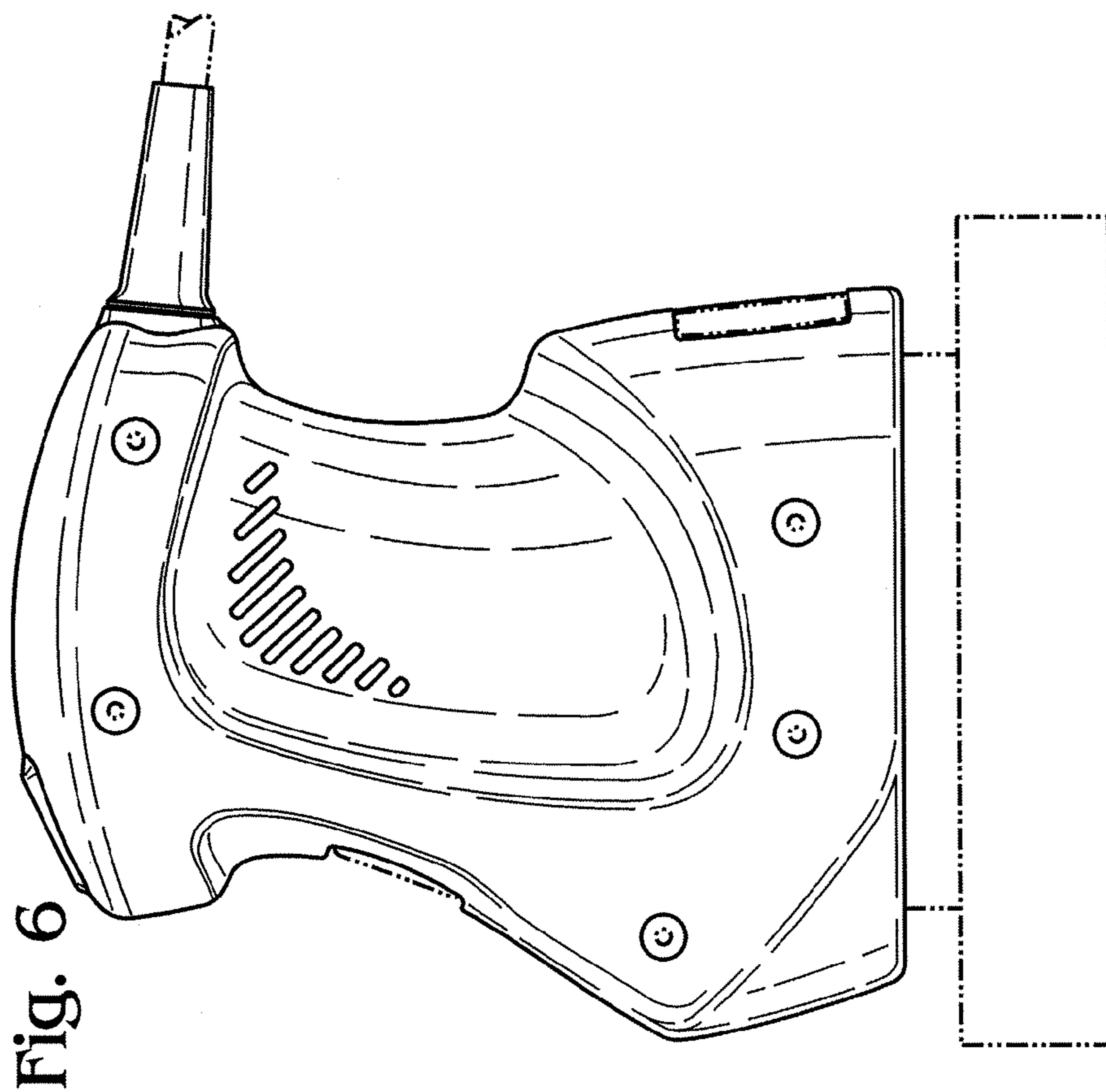


Fig. 7

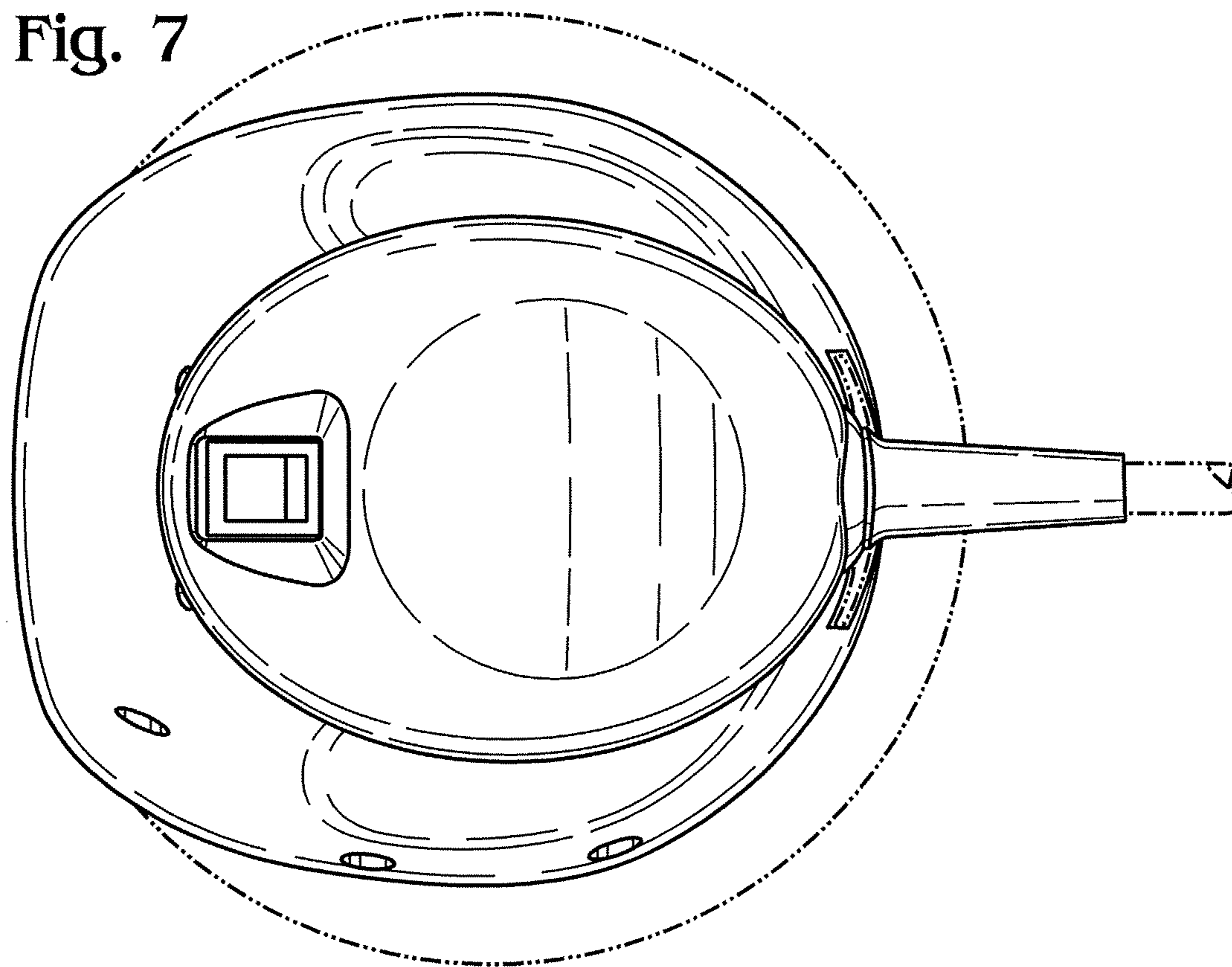


Fig. 8

