



US00D618864S

(12) **United States Design Patent**
Jeon et al.

(10) **Patent No.:** **US D618,864 S**
(45) **Date of Patent:** **** Jun. 29, 2010**

(54) **DRUM WASHING MACHINE**

(75) Inventors: **Ho Il Jeon**, Gyeonggi-do (KR); **Ye Ji Um**, Seoul (KR); **Jung Hwan Lee**, Seoul (KR); **Hui Jae Gwon**, Seoul (KR)

(73) Assignee: **LG Electronics Inc.**, Seoul (KR)

(**) Term: **14 Years**

(21) Appl. No.: **29/341,989**

(22) Filed: **Aug. 17, 2009**

(30) **Foreign Application Priority Data**

Feb. 24, 2009 (KR) 30-2009-0007874

(51) **LOC (9) Cl.** **15-05**

(52) **U.S. Cl.** **D32/6**

(58) **Field of Classification Search** D32/5,
D32/6, 8, 10, 1; 68/3 R, 5 R, 12.01, 12.08;
34/523-524; 312/31; 38/1 A

See application file for complete search history.

(56) **References Cited**

U.S. PATENT DOCUMENTS

D496,709 S * 9/2004 Suh et al. D32/6
D517,257 S * 3/2006 Kim et al. D32/6
D520,686 S * 5/2006 Jeon et al. D32/6
D549,896 S * 8/2007 Suh D32/6

D549,897 S * 8/2007 Suh D32/6
D550,907 S * 9/2007 Jeon et al. D32/6
D551,401 S * 9/2007 Jeon et al. D32/6
D552,807 S * 10/2007 Jeon et al. D32/6
D559,480 S * 1/2008 Kwon et al. D32/6

* cited by examiner

Primary Examiner—T. Chase Nelson
Assistant Examiner—Kathleen M Sims

(74) *Attorney, Agent, or Firm*—Birch, Stewart, Kolasch & Birch, LLP

(57) **CLAIM**

We claim the ornamental design for a drum washing machine, as shown and described.

DESCRIPTION

FIG. 1 is a perspective view of a drum washing machine showing our new design:

FIG. 2 is a front elevation view thereof;

FIG. 3 is a rear elevation view thereof;

FIG. 4 is a left-side elevation view thereof;

FIG. 5 is a right-side elevation view thereof;

FIG. 6 is a top plan view thereof; and,

FIG. 7 is a bottom plan view thereof.

1 Claim, 6 Drawing Sheets

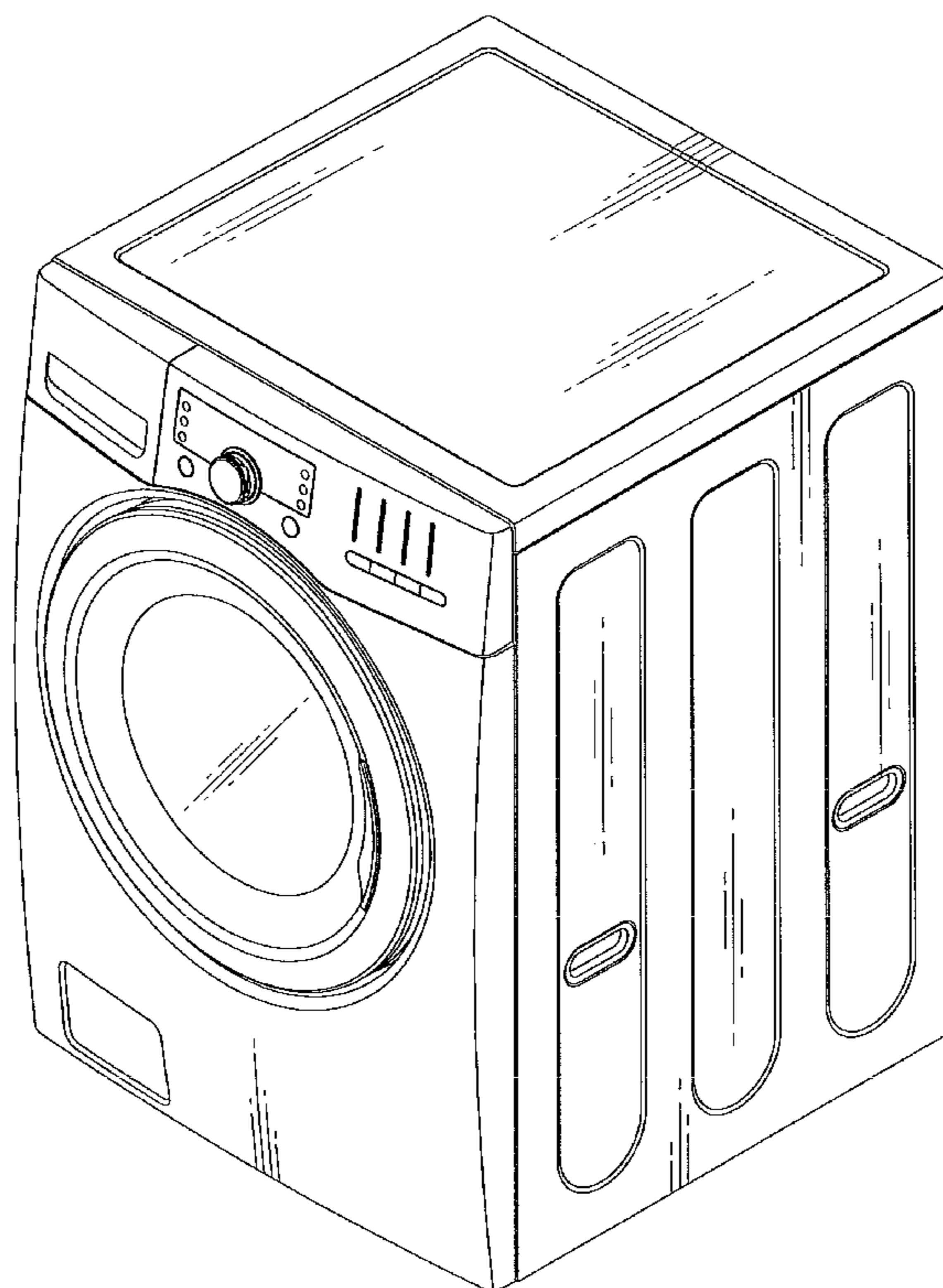


FIG. 1

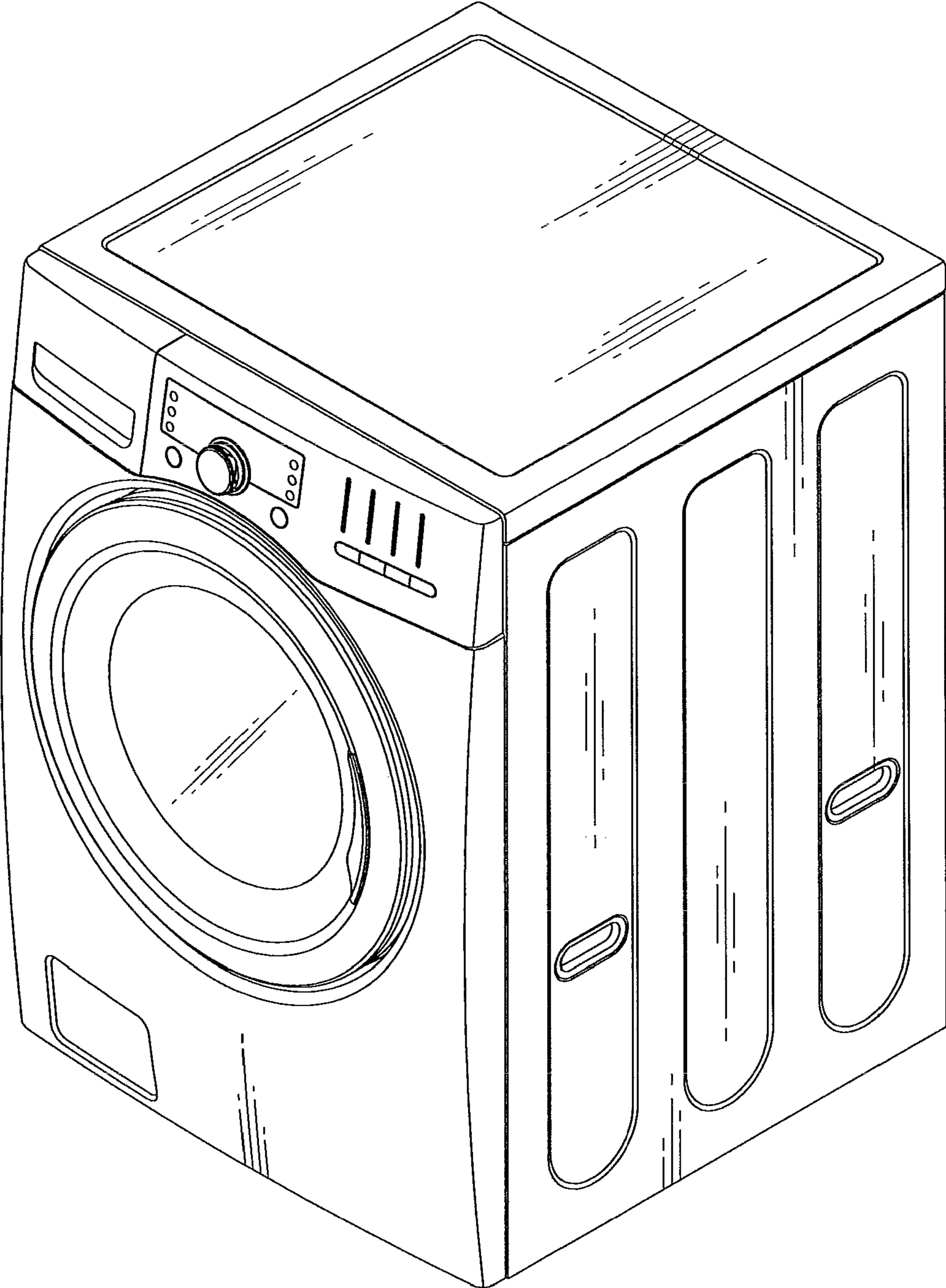


FIG. 2

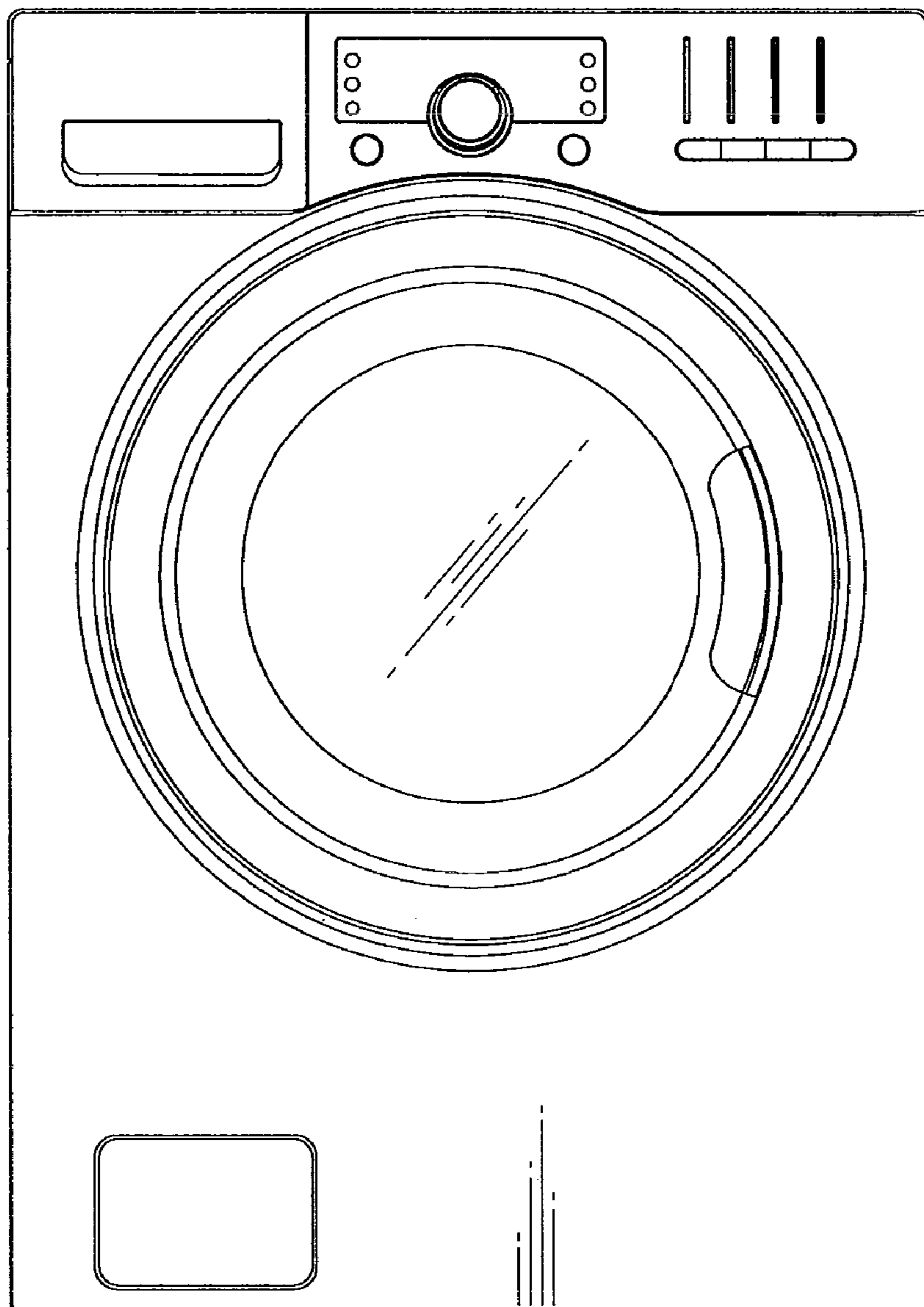


FIG. 3

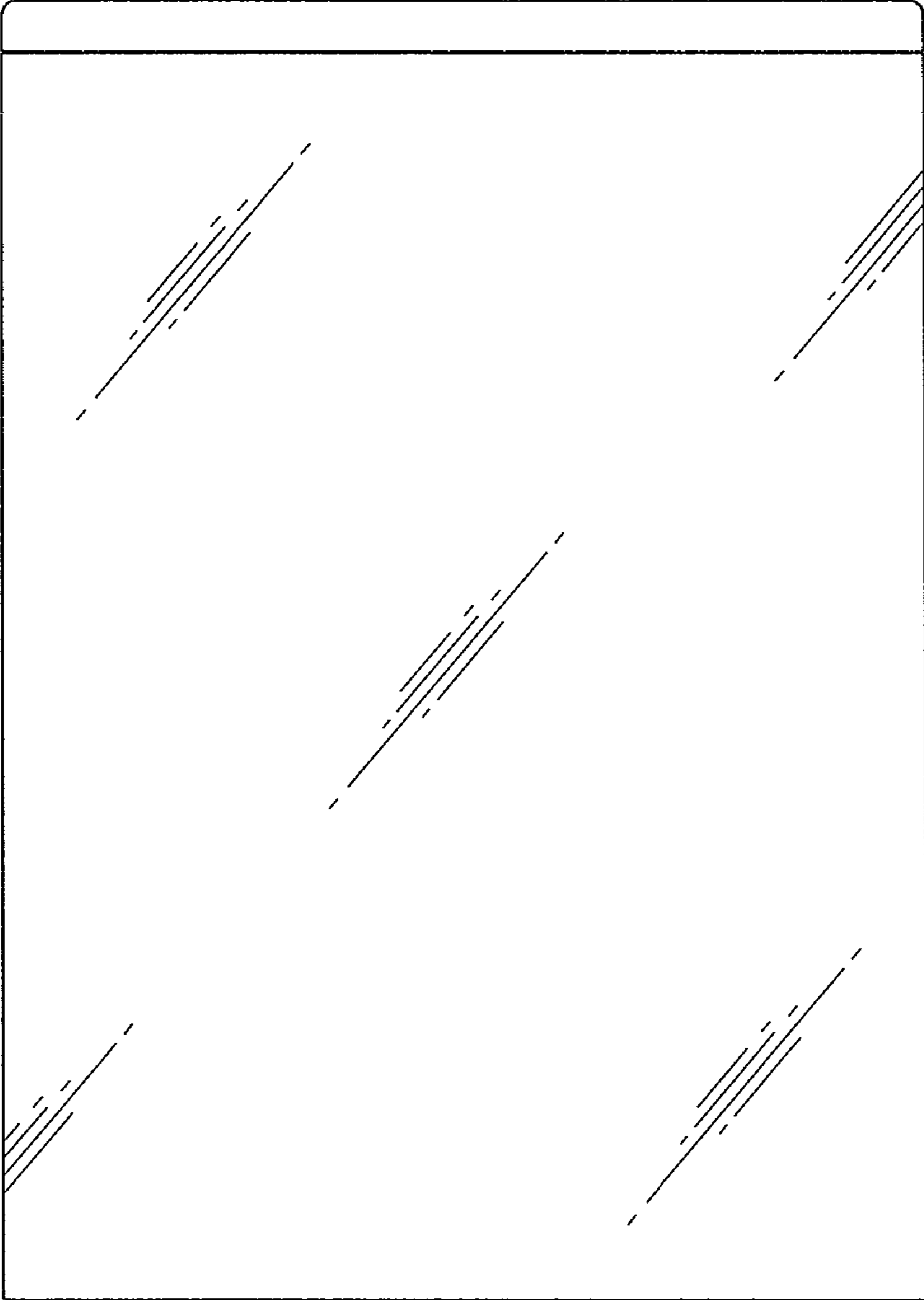


FIG. 4

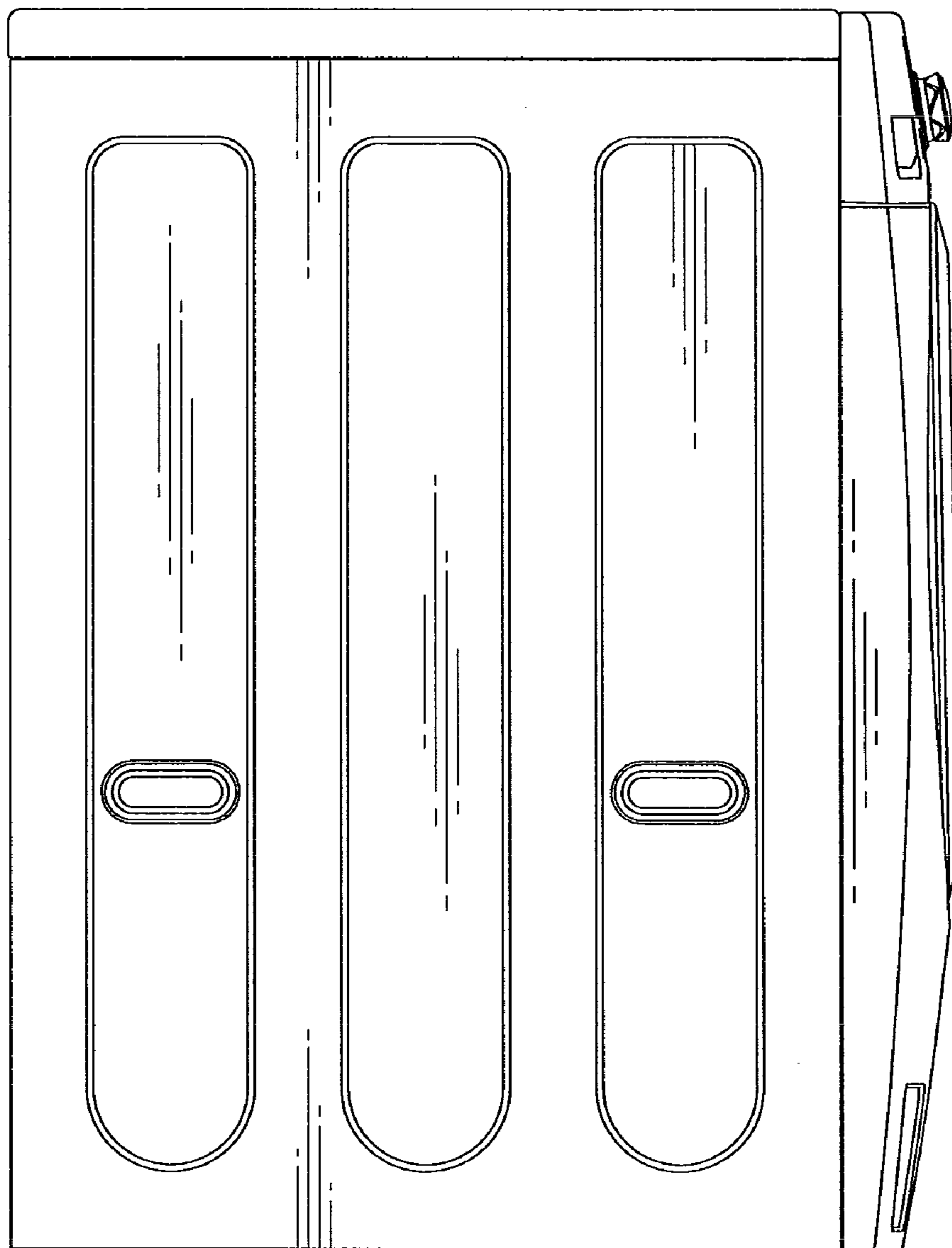


FIG. 5

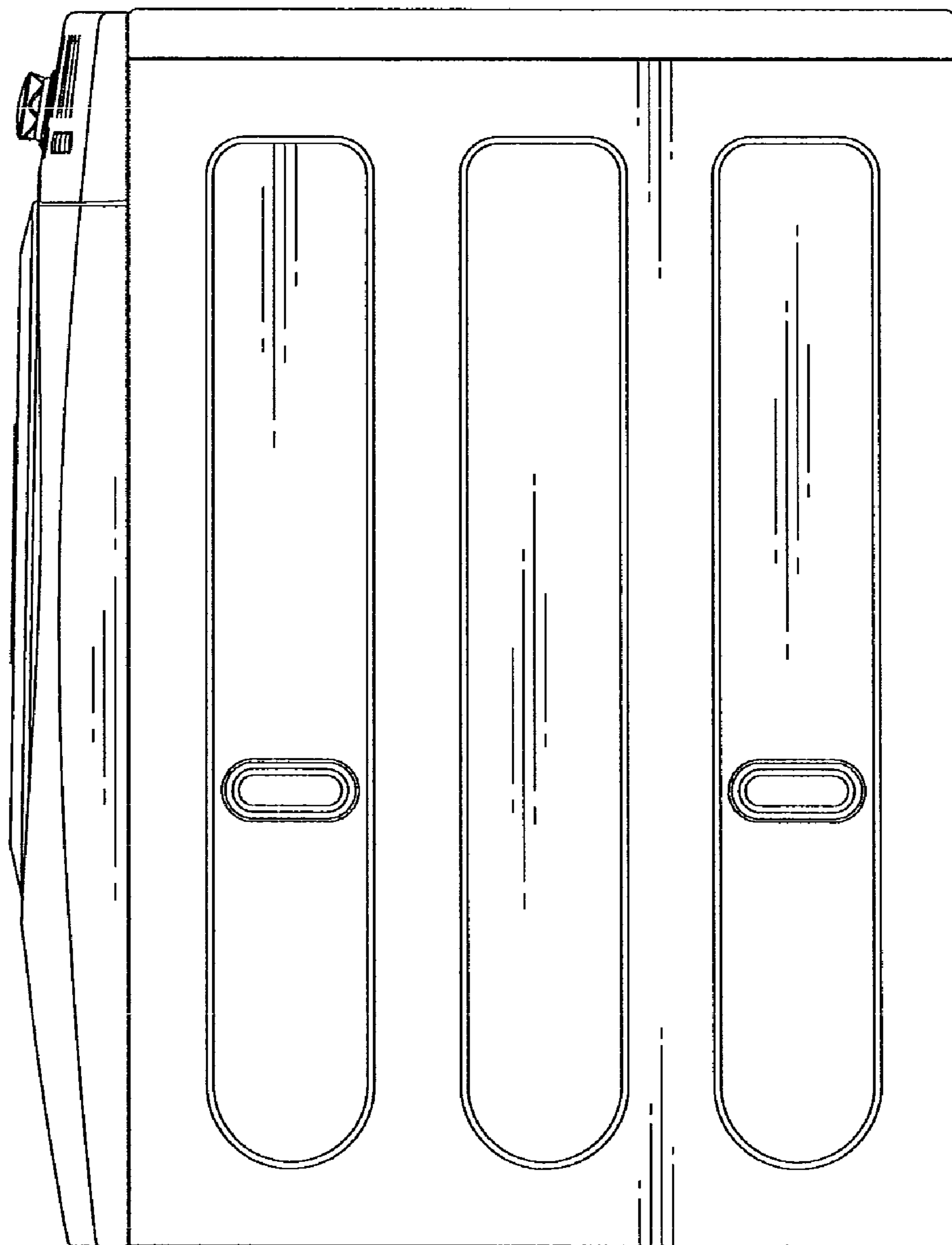


FIG. 6

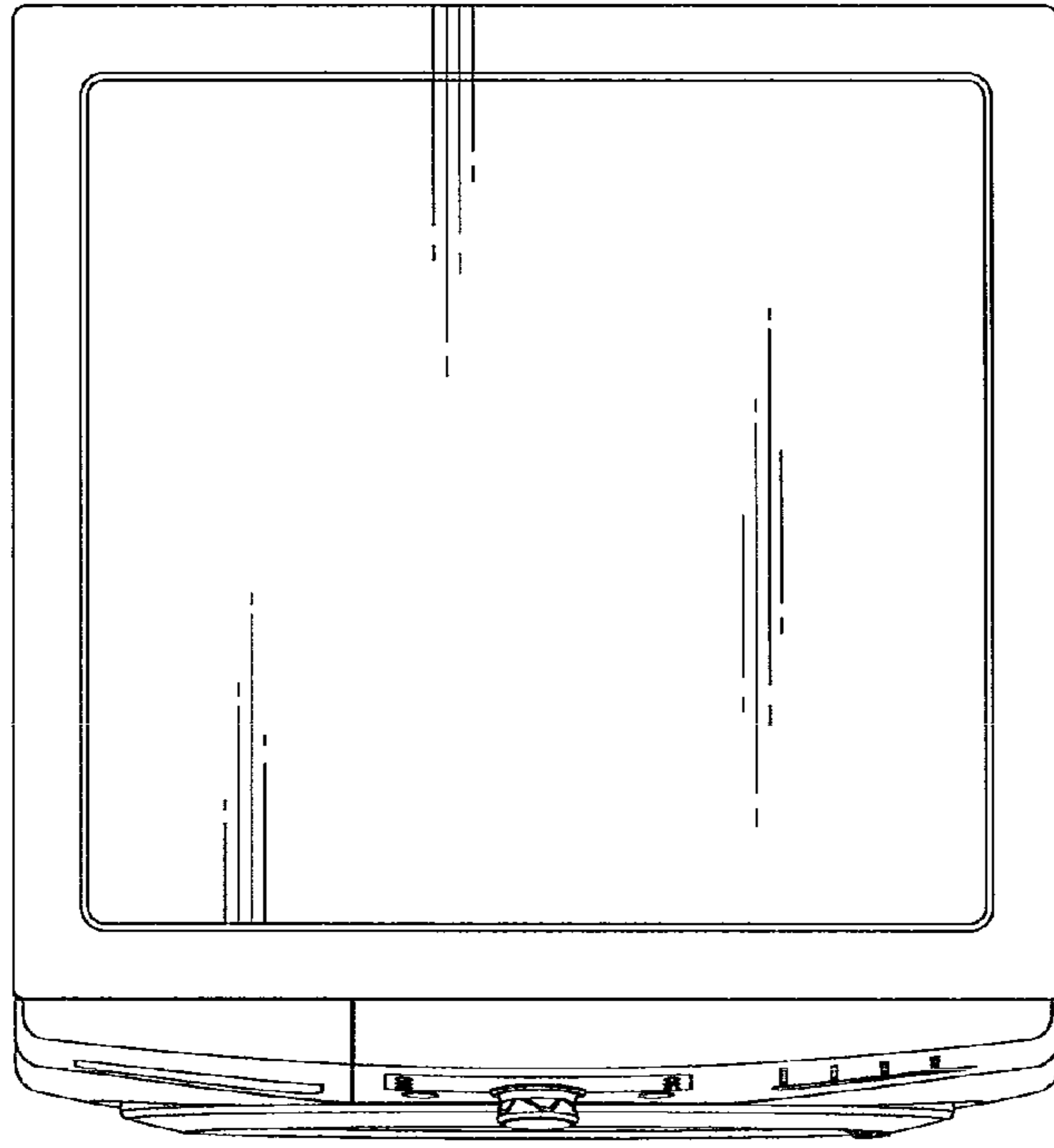


FIG. 7

