



US00D618862S

(12) **United States Design Patent**  
**Shamoon et al.**

(10) **Patent No.:** **US D618,862 S**  
(45) **Date of Patent:** **\*\* Jun. 29, 2010**

- (54) **ELEVATED COLLAPSIBLE PET FEEDER**
- (76) Inventors: **Ellis N. Shamoon**, 2833 Park Bridge Ct.,  
Dallas, TX (US) 75219; **Thomas B. Murphy**, 4924 Woodland Park,  
Arlington, TX (US) 76013
- (\*\*) Term: **14 Years**
- (21) Appl. No.: **29/331,850**
- (22) Filed: **Feb. 3, 2009**
- (51) **LOC (9) Cl.** ..... **30-03**
- (52) **U.S. Cl.** ..... **D30/133; D30/121; D30/129;**  
D30/132
- (58) **Field of Classification Search** ..... D30/133,  
D30/121, 128, 130, 132; 119/52.1, 55, 61.5–61.56;  
D6/480–485; 248/188; 312/204; 108/153.1–157  
See application file for complete search history.

D424,759 S *	5/2000	Sipka	.....	D30/130
D438,348 S	2/2001	Grady		
D477,691 S *	7/2003	Crowley	.....	D30/131
D522,809 S	6/2006	Kusuma		
D526,541 S	8/2006	Repp		
D550,036 S	9/2007	Holcomb		
D551,400 S	9/2007	Tsengas		
7,341,019 B1 *	3/2008	Tsengas	.....	119/61.5
D577,466 S	9/2008	Shamoon		
D592,814 S *	5/2009	Uffner et al.	.....	D30/133
D597,262 S *	7/2009	Shamoon et al.	.....	D30/130
2005/0115508 A1 *	6/2005	Little	.....	119/61.5
2005/0127073 A1	6/2005	Kusuma		
2005/0127074 A1	6/2005	Kusuma		
2006/0277994 A1 *	12/2006	Peterson	.....	73/426
2007/0251874 A1	11/2007	Stewart		
2008/0190372 A1 *	8/2008	Horvath	.....	119/61.56

\* cited by examiner

*Primary Examiner*—Susan Moon Lee  
(74) *Attorney, Agent, or Firm*—Daniel V. Thompson

(56) **References Cited**

U.S. PATENT DOCUMENTS

D89,262 S *	2/1933	Nunimaker	.....	D30/130
D105,450 S *	7/1937	Clifton	.....	D30/130
2,880,902 A *	4/1959	Owsen	.....	220/8
D188,614 S	8/1960	Niclaus		
3,285,459 A *	11/1966	Gahm	.....	220/8
D219,474 S *	12/1970	Gahm	.....	D7/512
D237,787 S *	11/1975	Wyreich	.....	D34/24
4,044,723 A *	8/1977	Fitzpatrick	.....	119/61.5
4,377,191 A *	3/1983	Yamaguchi	.....	220/665
4,658,759 A *	4/1987	Brown	.....	119/61.5
D315,974 S *	4/1991	Steiner	.....	D30/131
D340,552 S *	10/1993	Smith	.....	D30/121
D374,517 S *	10/1996	Morrill	.....	D30/133
D377,244 S *	1/1997	Steininger	.....	D30/133
5,730,081 A *	3/1998	Tsengas	.....	119/51.5
D405,561 S	2/1999	Willinger		
D412,377 S	7/1999	Sharon		
D414,303 S	9/1999	Sharon		

(57) **CLAIM**

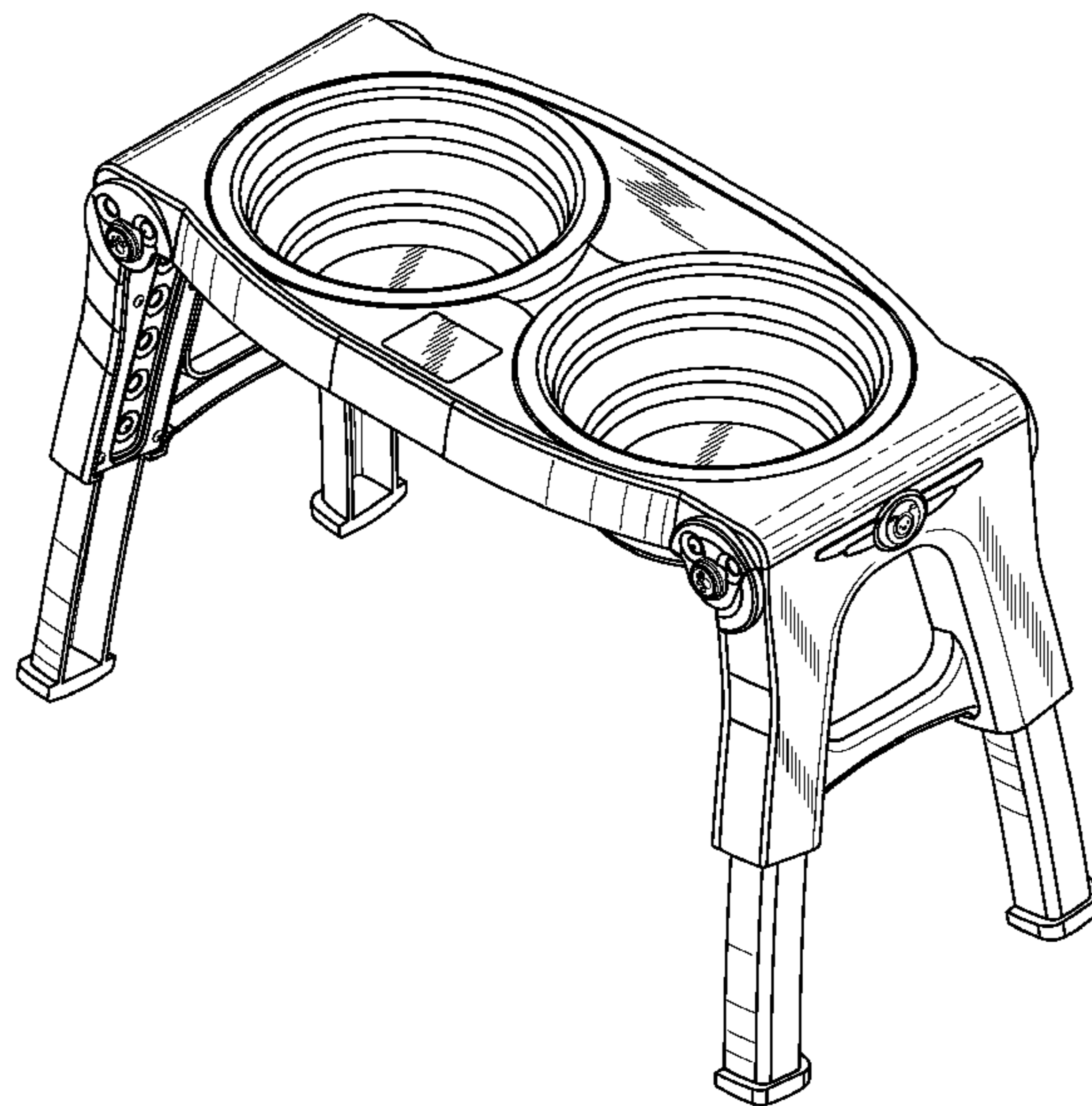
I claim the ornamental design for an elevated collapsible pet feeder, as shown and described.

**DESCRIPTION**

FIG. 1 is a perspective view of the elevated collapsible pet feeder showing my new design in an extended configuration; FIG. 2 is a top plan view thereof; FIG. 3 is a bottom plan view thereof; FIG. 4 is a front elevational view thereof; and, FIG. 5 is a right side elevational view thereof.

The elevated collapsible pet feeder of the present invention is symmetrical so that the front and rear views are identical as are both side views.

**1 Claim, 5 Drawing Sheets**



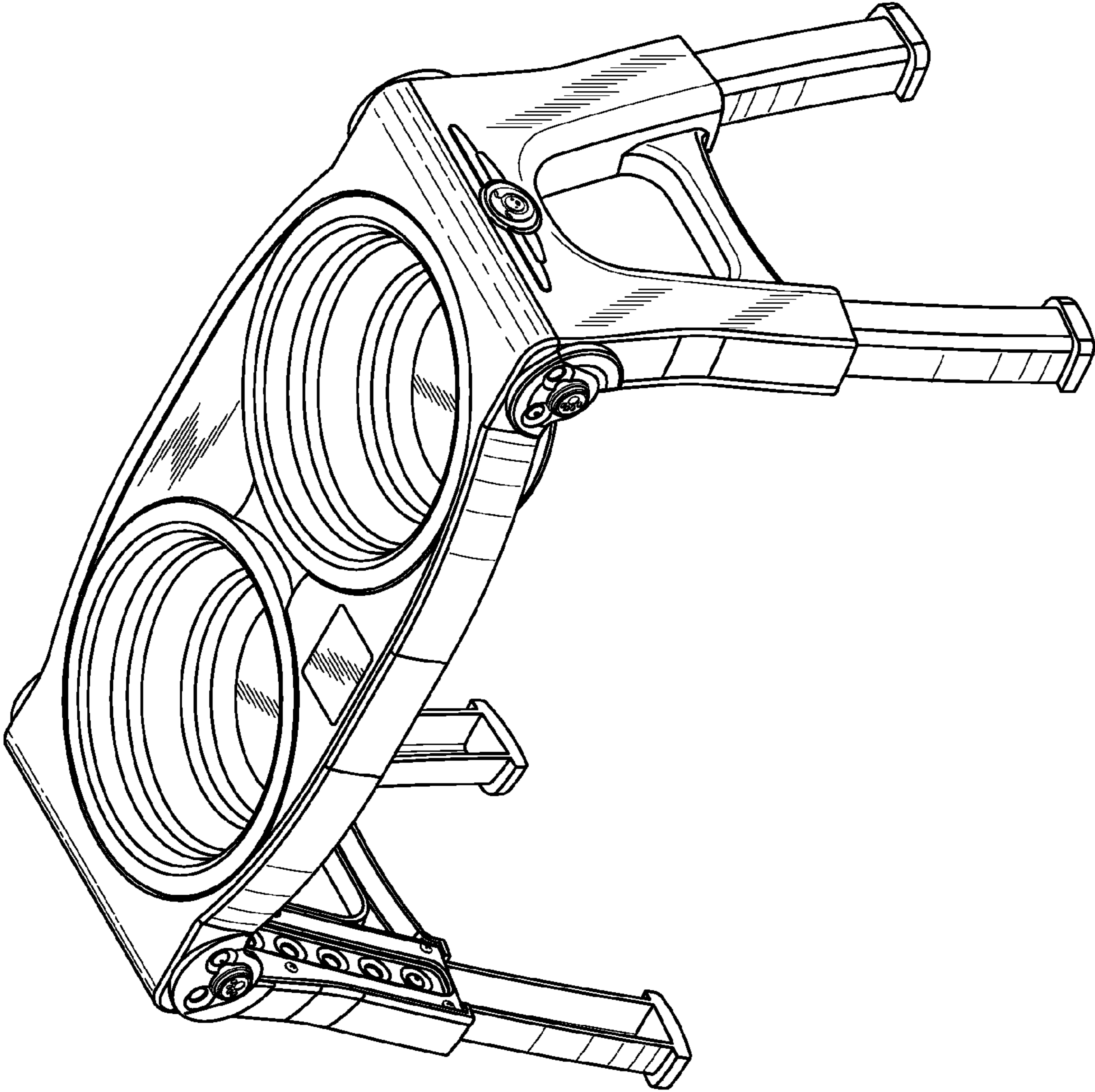


Fig. 1

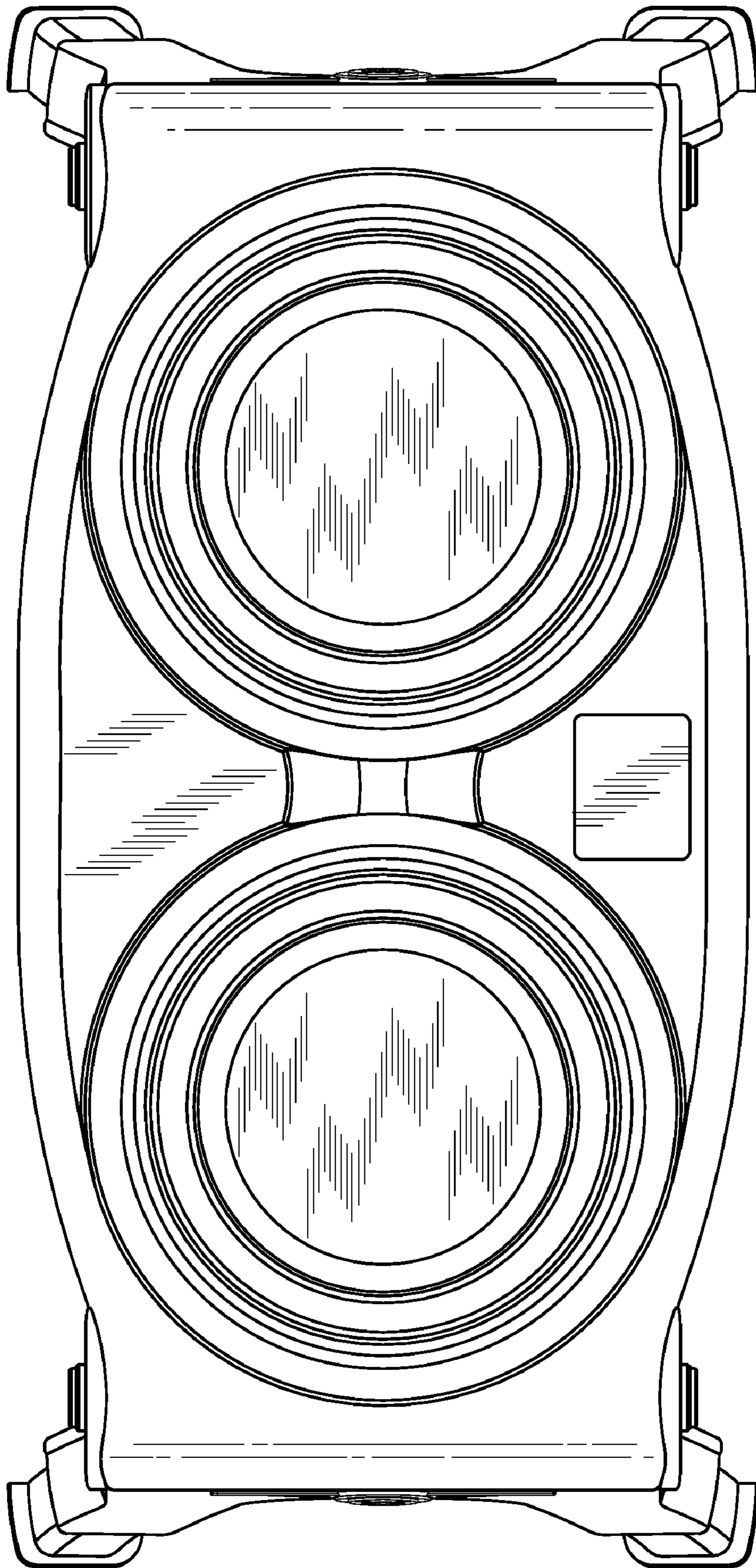


Fig. 2

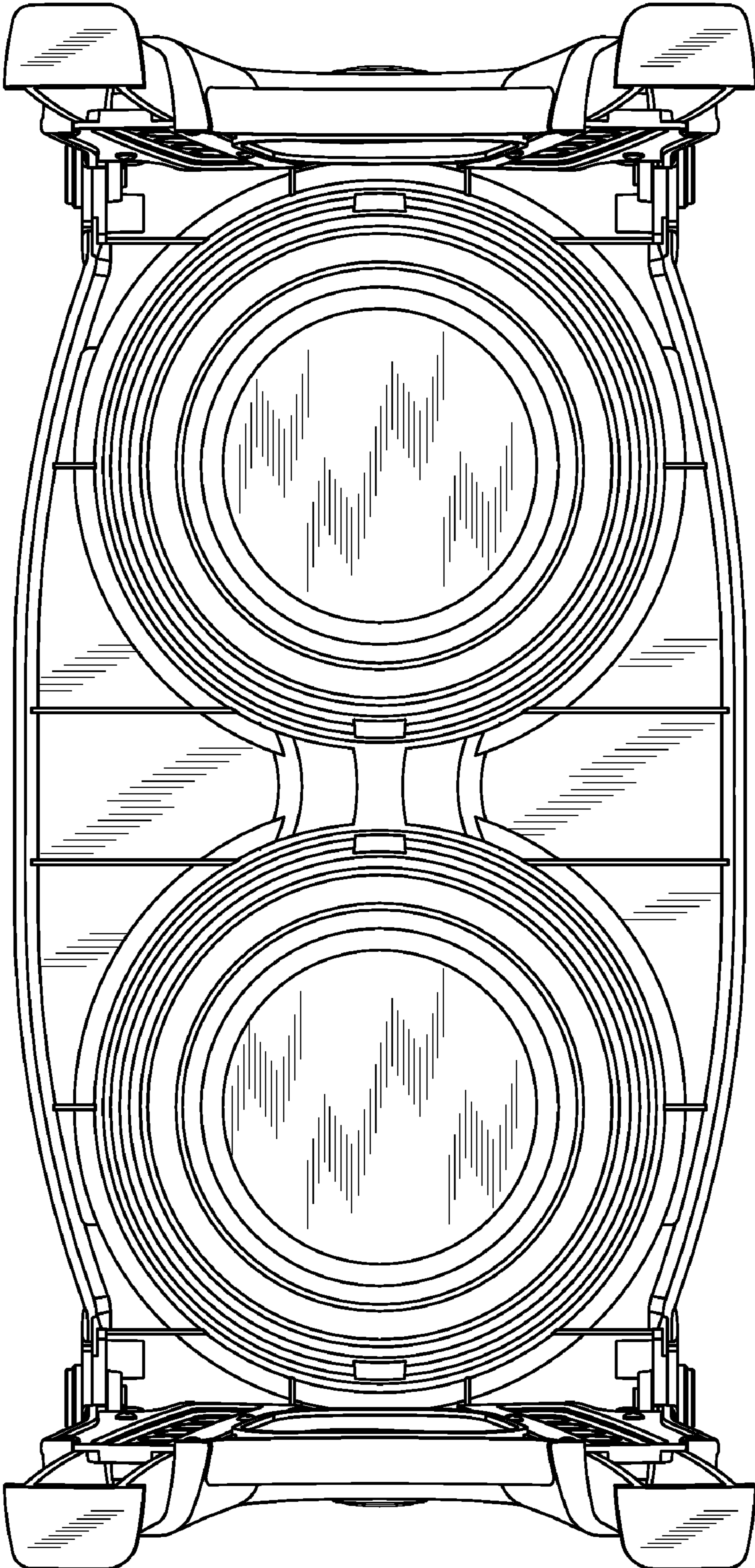


Fig. 3

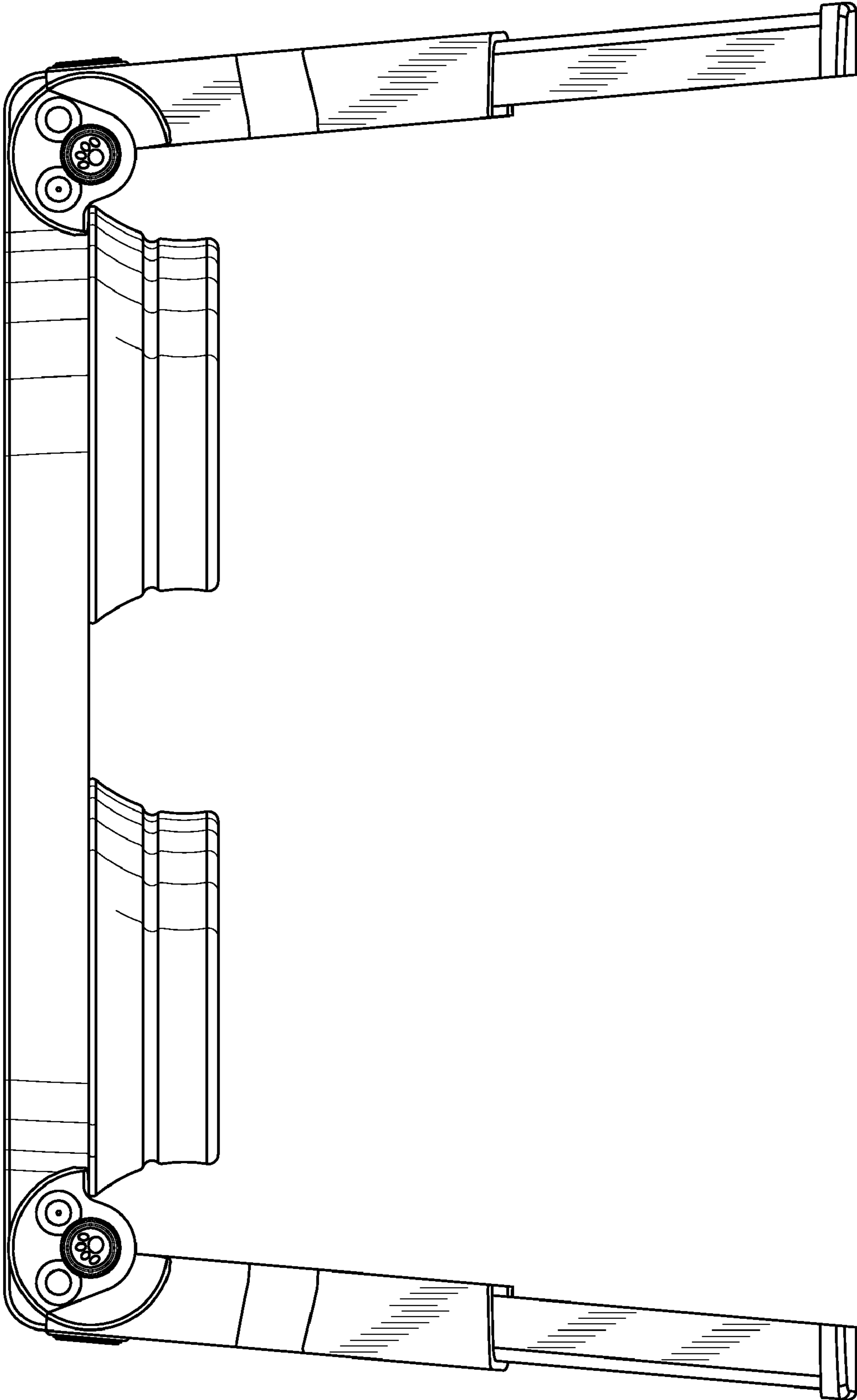


Fig. 4

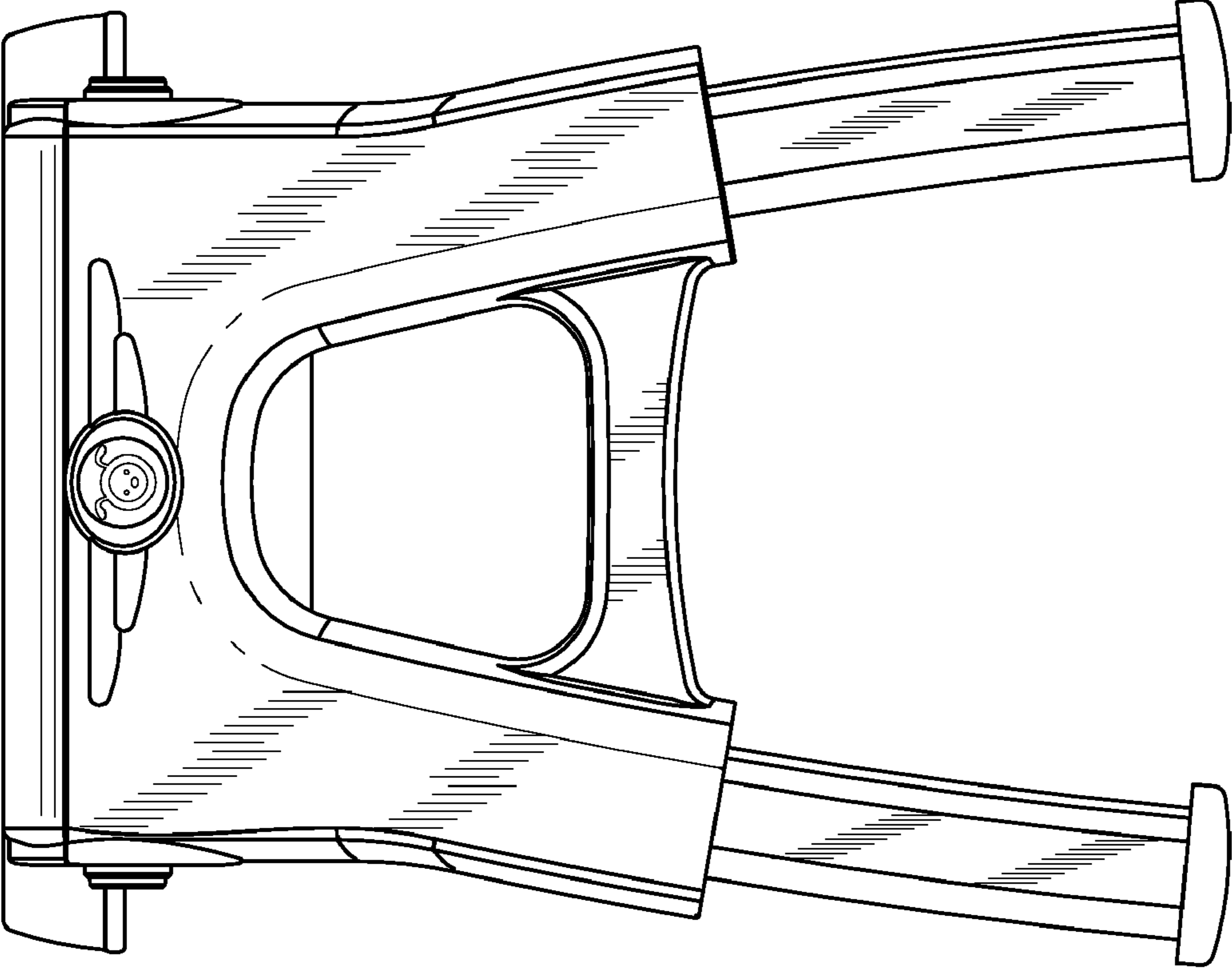


Fig. 5