



US00D618861S

(12) **United States Design Patent**
Bahnean et al.

(10) **Patent No.:** **US D618,861 S**
(45) **Date of Patent:** **** Jun. 29, 2010**

(54) **PET FOOD TRAY**

(76) Inventors: **Avram Bahnean**, 21567 N. Black Bear Lodge Dr., Surprise, CA (US) 85387;
Magdalena Bahnean, 21567 N. Black Bear Lodge Dr., Surprise, CA (US) 85387

(**) Term: **14 Years**

(21) Appl. No.: **29/326,753**

(22) Filed: **Oct. 23, 2008**

(51) **LOC (9) Cl.** **30-03**

(52) **U.S. Cl.** **D30/133; D30/131; D30/130**

(58) **Field of Classification Search** **D30/133, D30/121, 128, 130, 132; 119/52.1, 55, 61.5-61.56; D6/480-485; 248/188; 312/204; 108/153.1-157**
See application file for complete search history.

(56) **References Cited**

U.S. PATENT DOCUMENTS

2,584,301 A	2/1952	Sinclair	
D207,198 S *	3/1967	Robert D30/133
D211,368 S *	6/1968	Robert D30/133
D244,947 S	7/1977	Gerber	
D312,896 S	12/1990	Goetz	

D353,083 S *	12/1994	Simon D3/316
5,501,176 A	3/1996	Tully	
D373,858 S *	9/1996	Chen D30/130
5,564,363 A	10/1996	Soffici	
5,752,464 A *	5/1998	King et al. 119/63
D400,402 S *	11/1998	Petkovich, Jr. D7/549
D491,697 S	6/2004	Tsengas	
D504,197 S *	4/2005	Huthmaker et al. D30/129
2008/0011235 A1	1/2008	Bahnean et al.	

* cited by examiner

Primary Examiner—Susan Moon Lee

(57) **CLAIM**

The ornamental design for a pet food tray, as shown.

DESCRIPTION

FIG. 1 is a perspective view of a pet food tray;

FIG. 2 is a front view thereof;

FIG. 3 is a back view thereof;

FIG. 4 is a side view thereof;

FIG. 5 is a top view thereof;

FIG. 6 is a bottom view thereof; and,

FIG. 7 is a perspective view thereof.

1 Claim, 6 Drawing Sheets

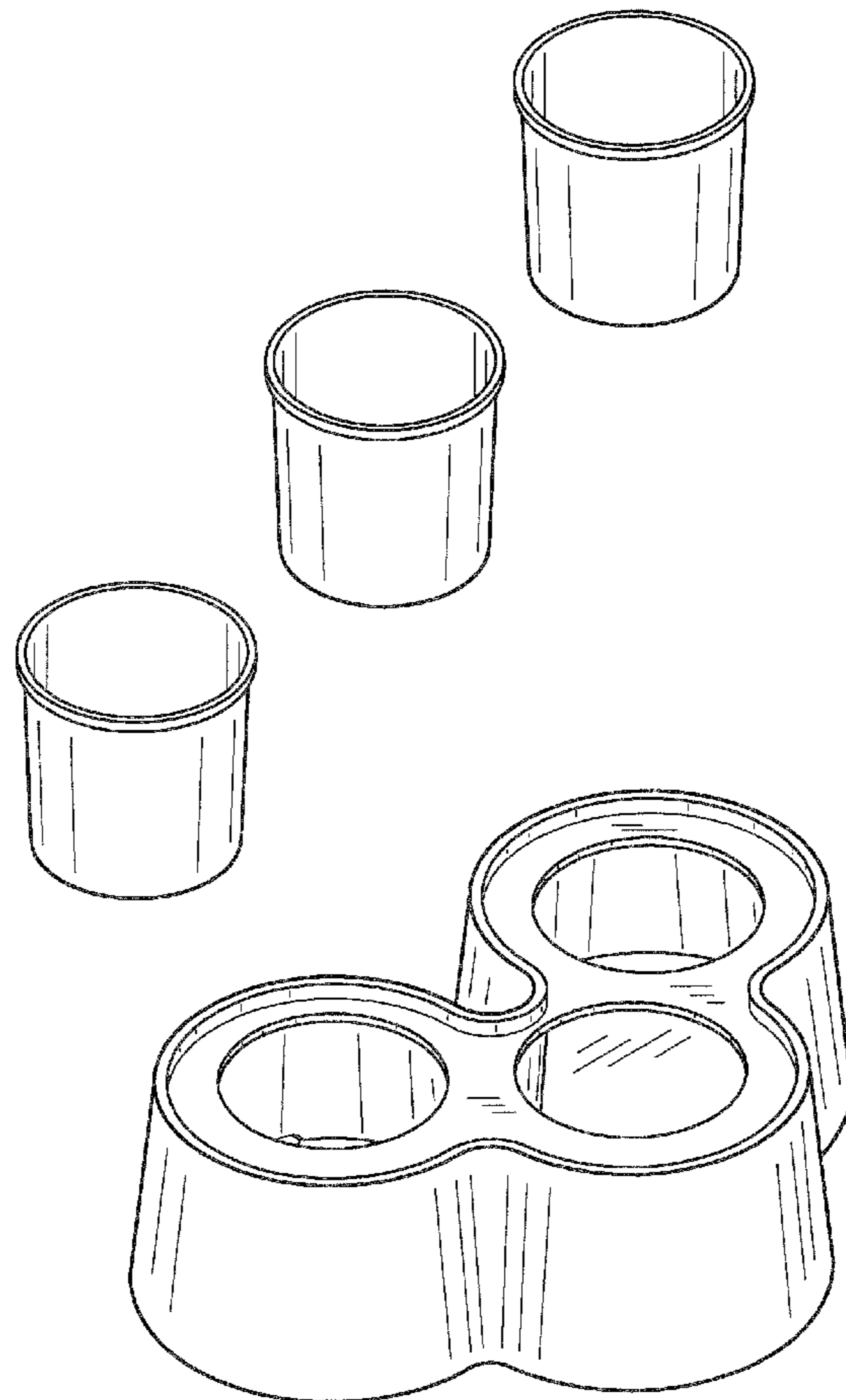


FIG. 1

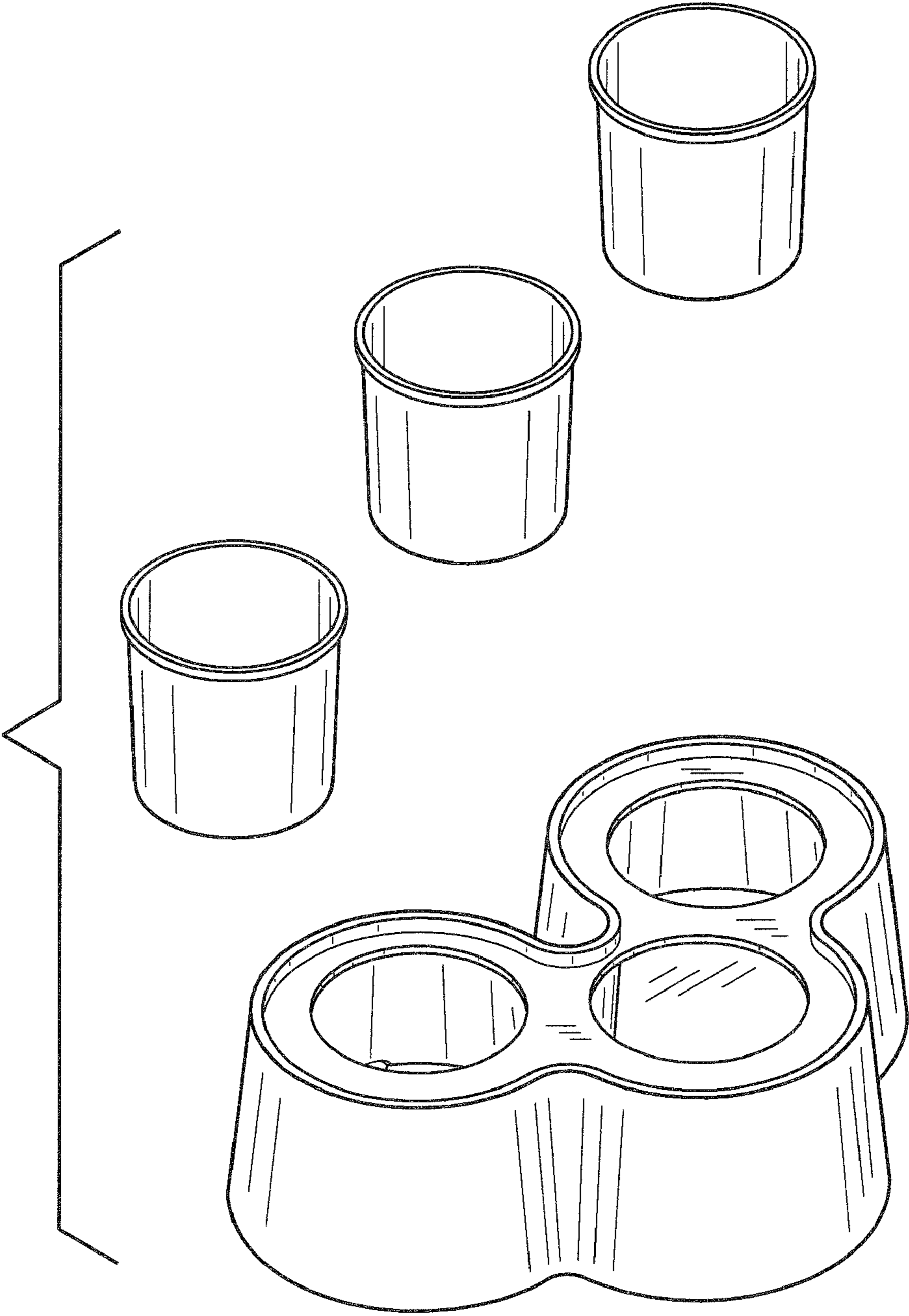


FIG. 2

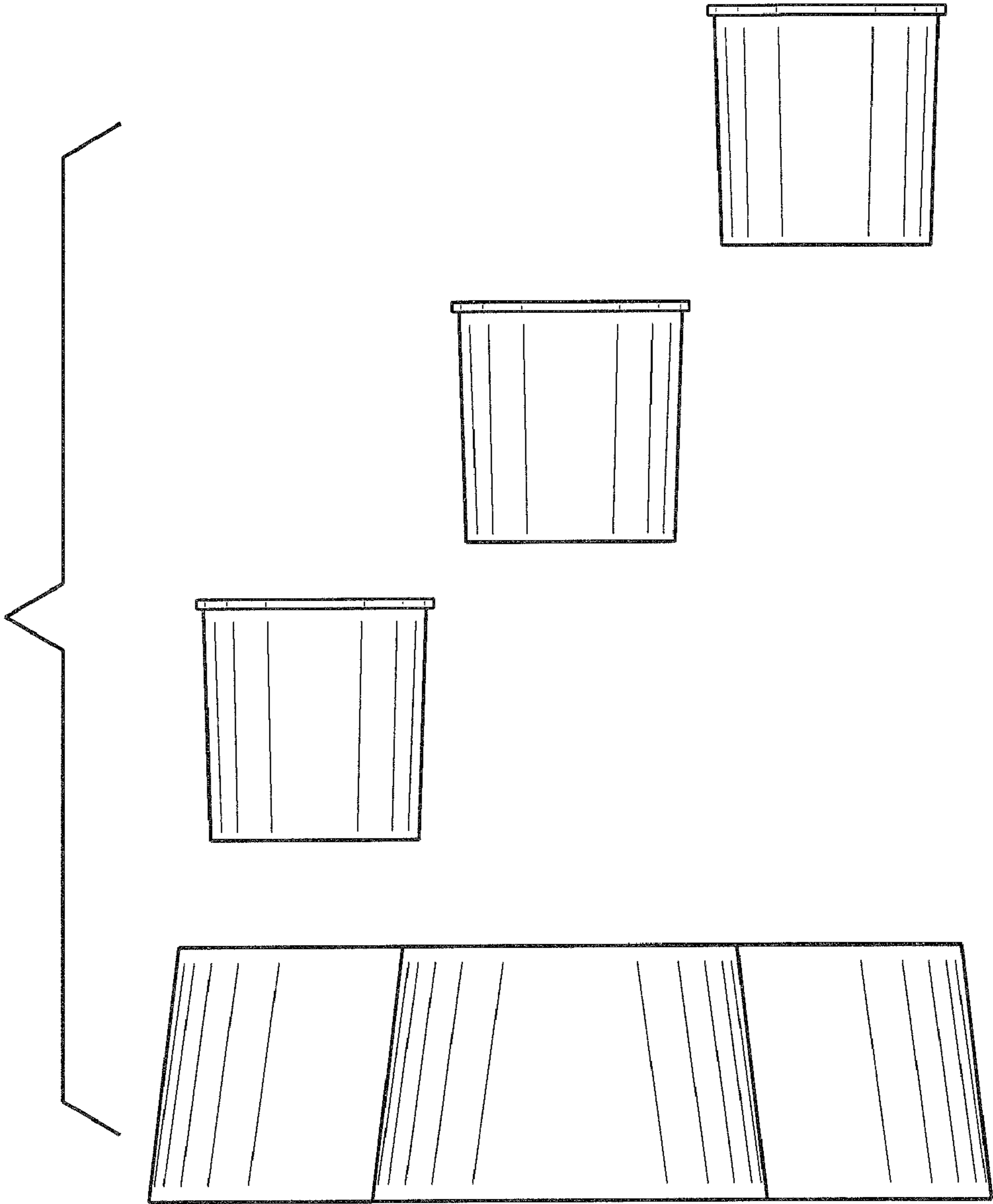


FIG. 3

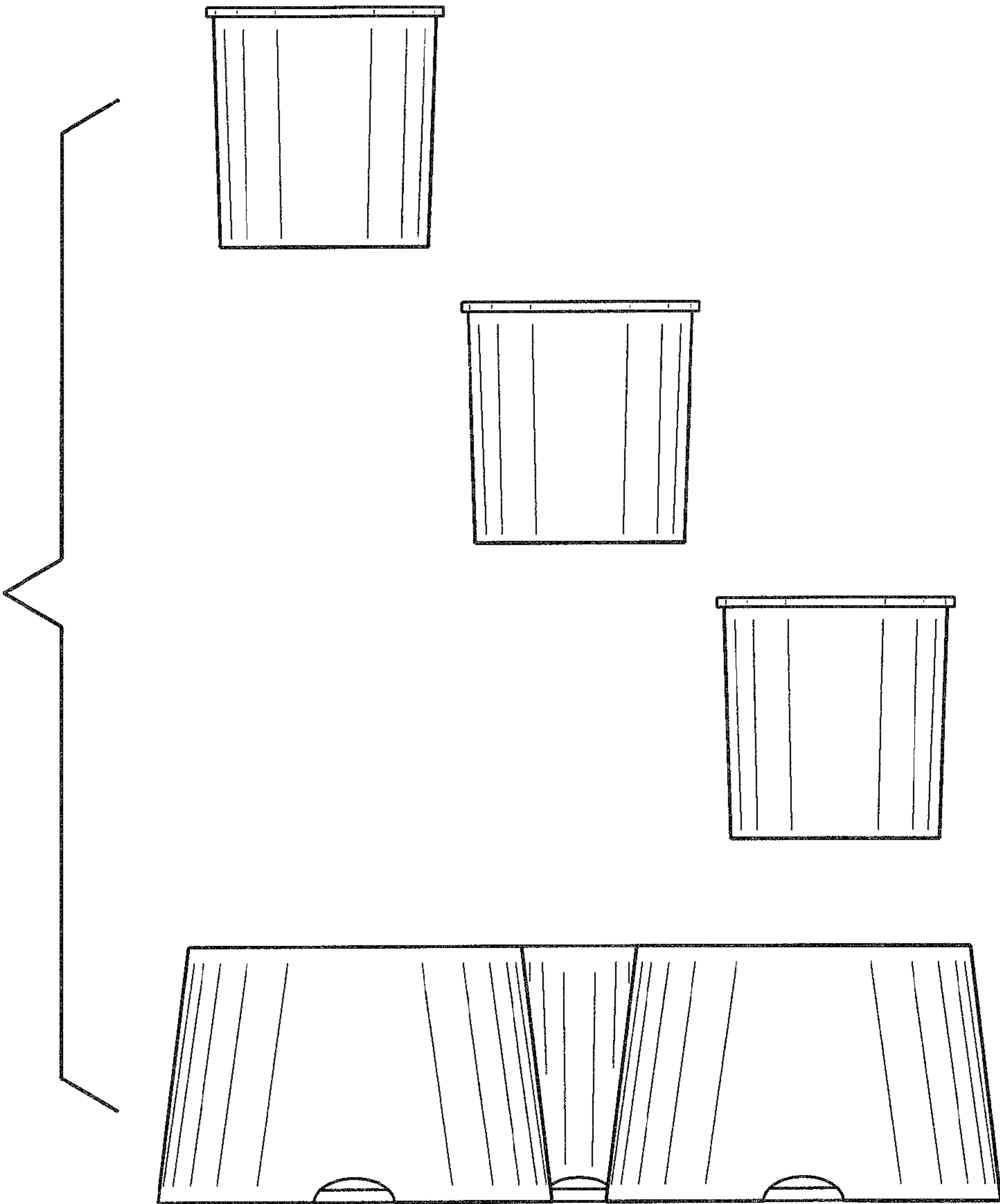
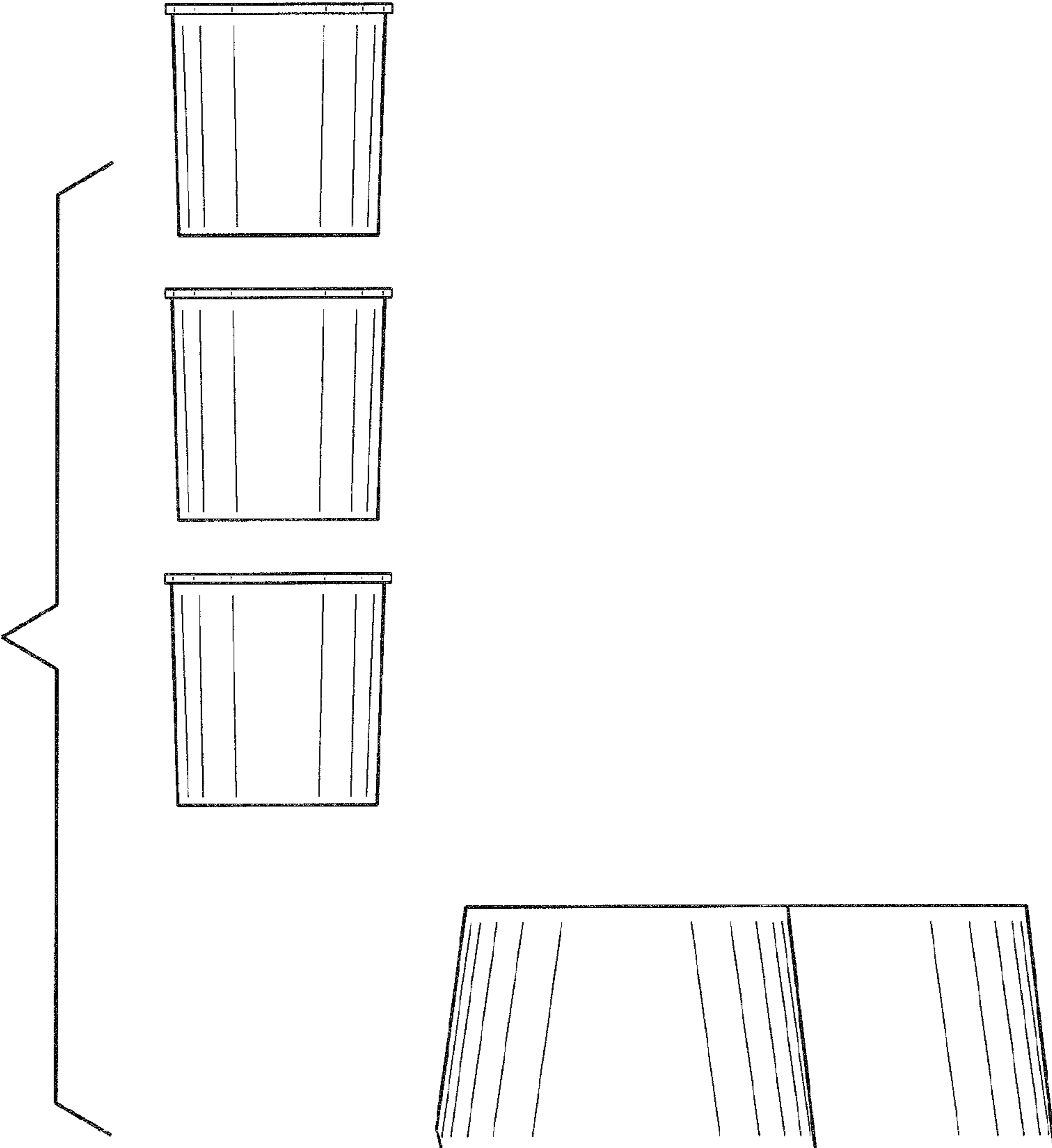
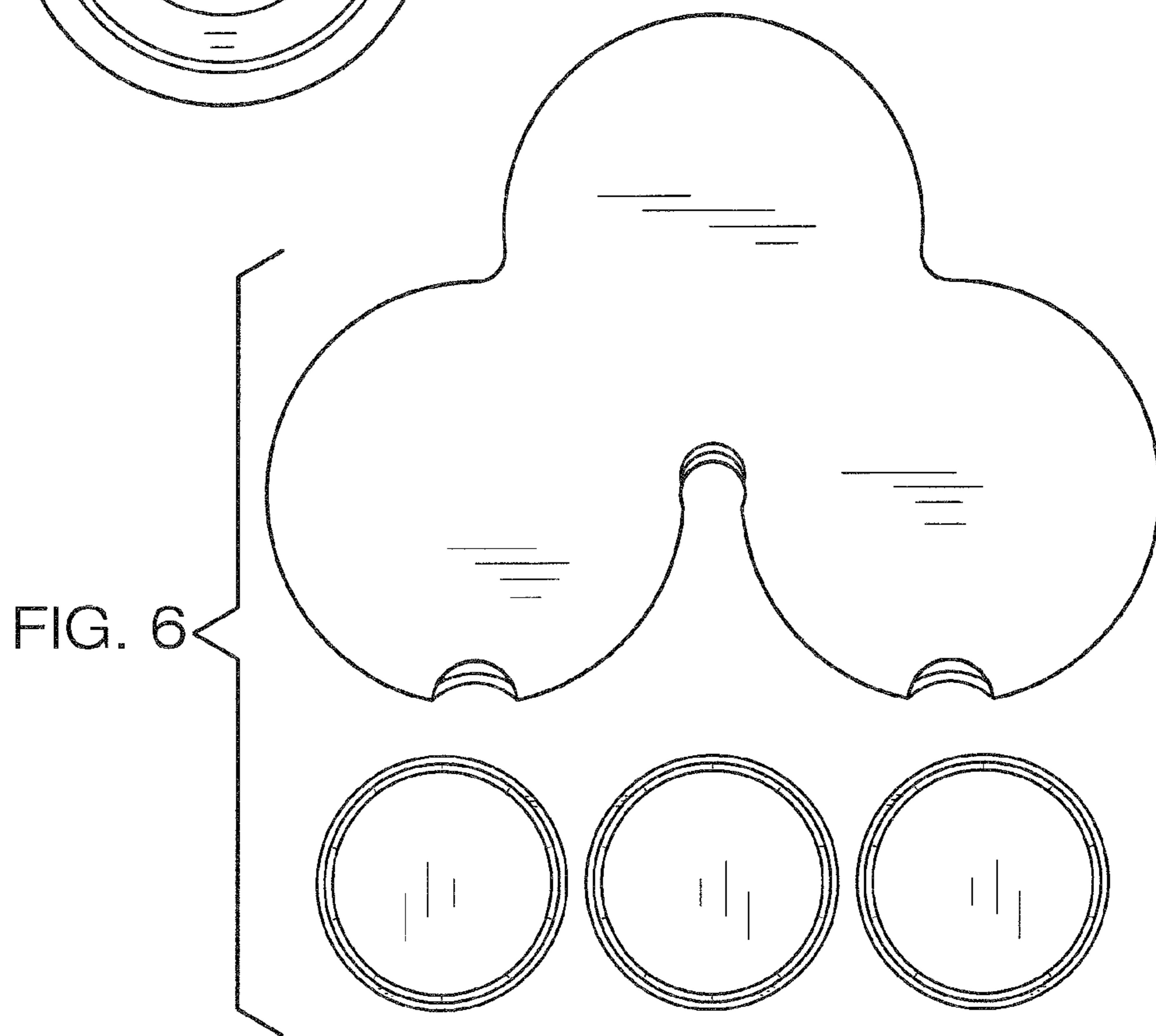
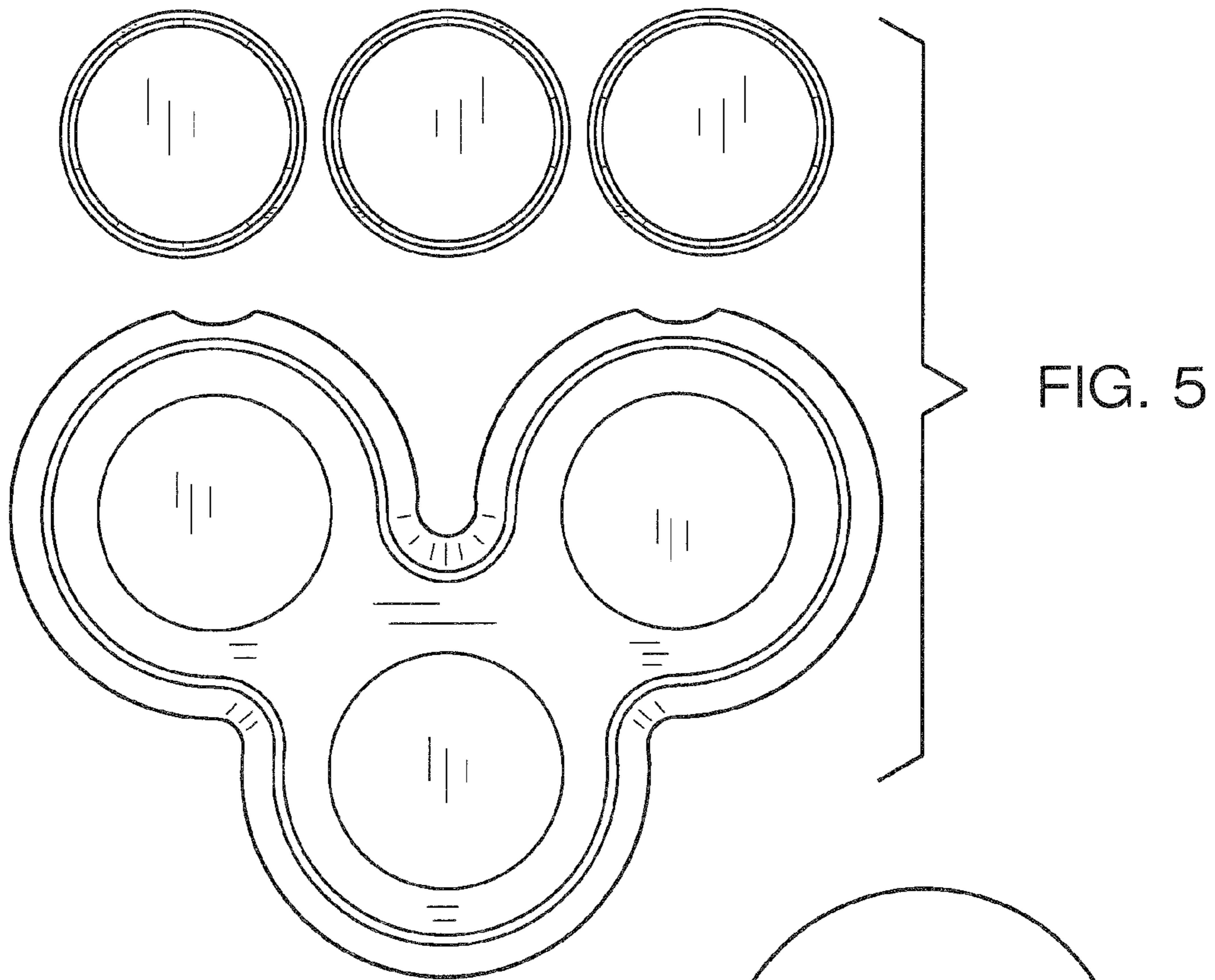


FIG. 4





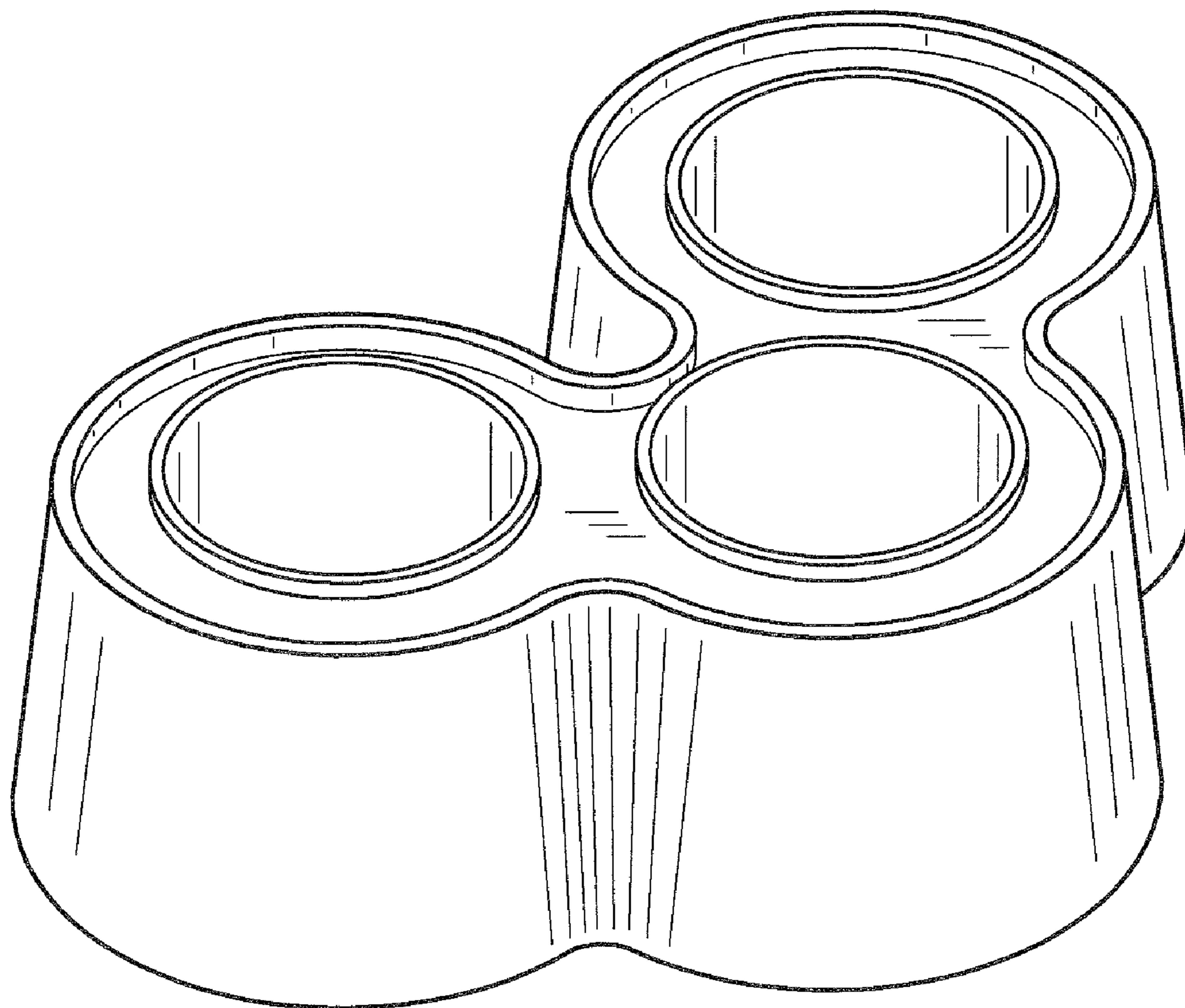


FIG. 7