



US00D618860S

(12) **United States Design Patent**
Friedland et al.

(10) **Patent No.:** **US D618,860 S**
(45) **Date of Patent:** **** Jun. 29, 2010**

(54) **MULTI-PIECE FEEDING BOWL**

(75) Inventors: **Jason Michael Friedland**, Franklin, TN (US); **Gary N. Chisholm**, Rancho Palace Verdes, CA (US); **Diana L. Ortiz**, Tarrytown, NY (US); **Michael J. Wilson**, Rossmoor, CA (US); **Kevin Rabinovitch**, Redondo Beach, CA (US); **Hanif Matthew Wadalawala**, Manhattan Beach, CA (US); **Ruth Moecks**, Franklin, TN (US); **Jane Elkins**, Redondo Beach, CA (US)

(73) Assignee: **Mars, Incorporated**, McLean, VA (US)

(**) Term: **14 Years**

(21) Appl. No.: **29/328,519**

(22) Filed: **Nov. 25, 2008**

(51) **LOC (9) Cl.** **30-03**

(52) **U.S. Cl.** **D30/129**

(58) **Field of Classification Search** D30/121, D30/122, 129-133, 101; 119/61.5, 51.01, 119/61.56, 51.03, 59, 62, 63, 51.5, 57.8, 119/74, 61.54, 61.55; 312/204; 248/151, 248/188; 108/156, 153.1-157; 220/23.87, 220/630, 737, 743, 9.4, 495.01, 574, 212, 220/255, 23.83, 606, 657, 257.2, 359.2, 359.3, 220/253, 254.2, 507, 326, 825, 835; 206/538, 206/533, 534; D7/586, 543, 550.1, 587, D7/505, 584, 545, 500, 553.1-553.8, 546, D7/555, 556, 504, 565, 562, 602, 676, 544, D7/548, 675, 554.2, 551.1, 672, 677; D9/429, D9/425, 603, 443, 414-424, 428, 430-434, D9/450, 523-525, 715, 503; 43/109; D22/122; 99/430, DIG. 15; D27/106, 113, 114; 229/406, 229/123.1, 125.05, 125.35, 404, 123.2, 123.3, 229/125.13, 125.14; 426/104; D3/203.1-203.4, D3/206, 294; D19/51, 84, 85; D11/149-152; D24/121, 123

See application file for complete search history.

(56) **References Cited**

U.S. PATENT DOCUMENTS

2,213,837	A *	9/1940	Gill	220/575
2,752,995	A *	7/1956	Dodge	119/51.12
D186,040	S	9/1959	Stageberg	
D192,297	S *	2/1962	Klier	D30/129
3,076,435	A *	2/1963	Seymour	119/77
D198,701	S	7/1964	Roehrig	
D205,656	S *	9/1966	Robert	D30/133
3,391,847	A *	7/1968	Christine et al.	229/123.1
3,527,192	A *	9/1970	Ferrara	119/61.5
3,622,036	A *	11/1971	Bongaerts	220/574
3,745,977	A *	7/1973	Martin	119/73

(Continued)

OTHER PUBLICATIONS

U.S. Appl. No. 29/302,482, filed Jan. 17, 2008, by Jason Michael Friedland et al, entitled "Bowl".

Primary Examiner—Susan Moon Lee

(74) *Attorney, Agent, or Firm*—Arent Fox LLP

(57) **CLAIM**

The ornamental design for a multi-piece feeding bowl, as shown and described.

DESCRIPTION

FIG. 1 is a top perspective view of a multi-piece feeding bowl showing our new design;

FIG. 2 is a bottom perspective view of the design shown in FIG. 1;

FIG. 3 is a front view of the design shown in FIG. 1;

FIG. 4 is a rear view of the design shown in FIG. 1;

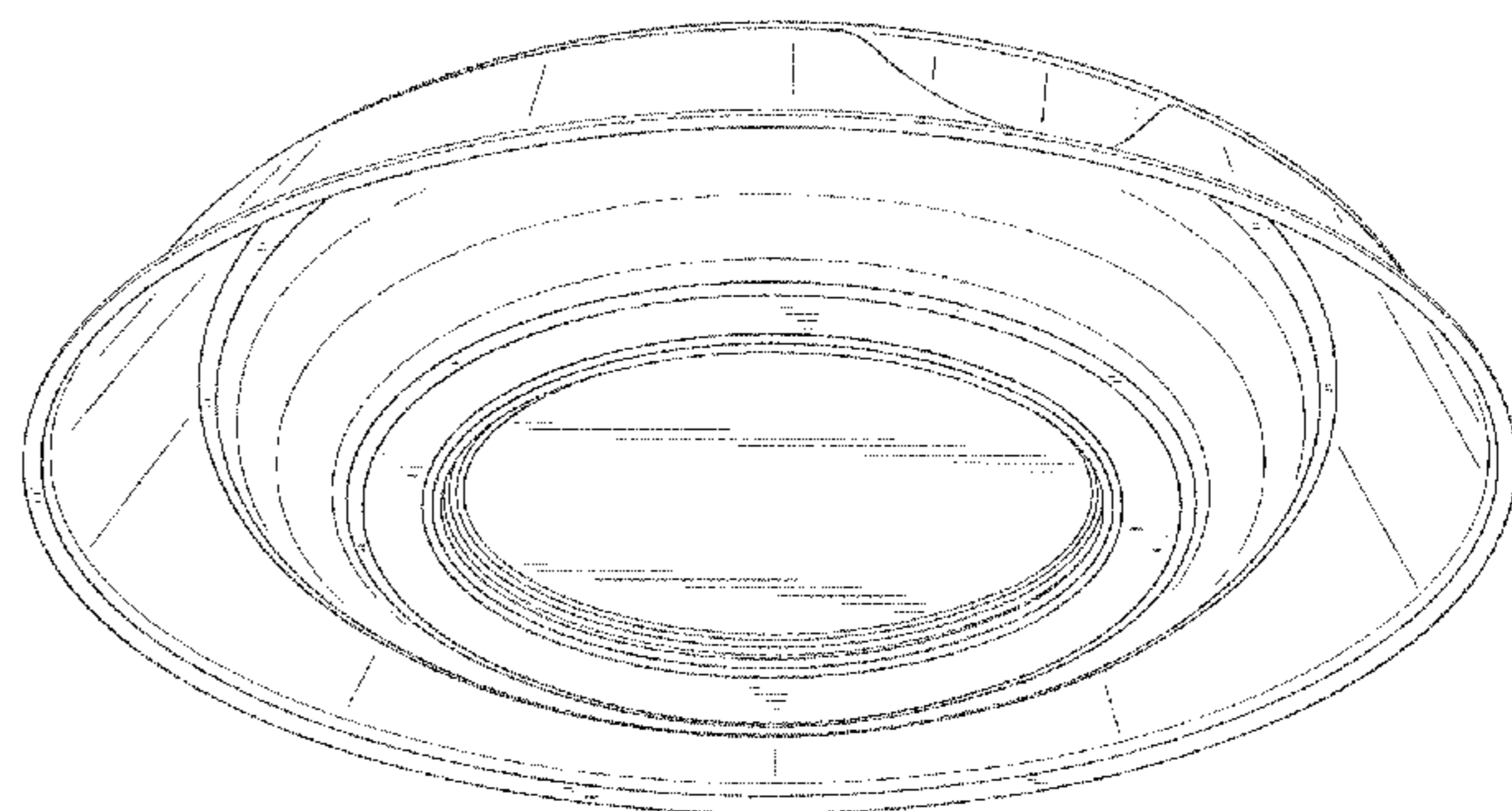
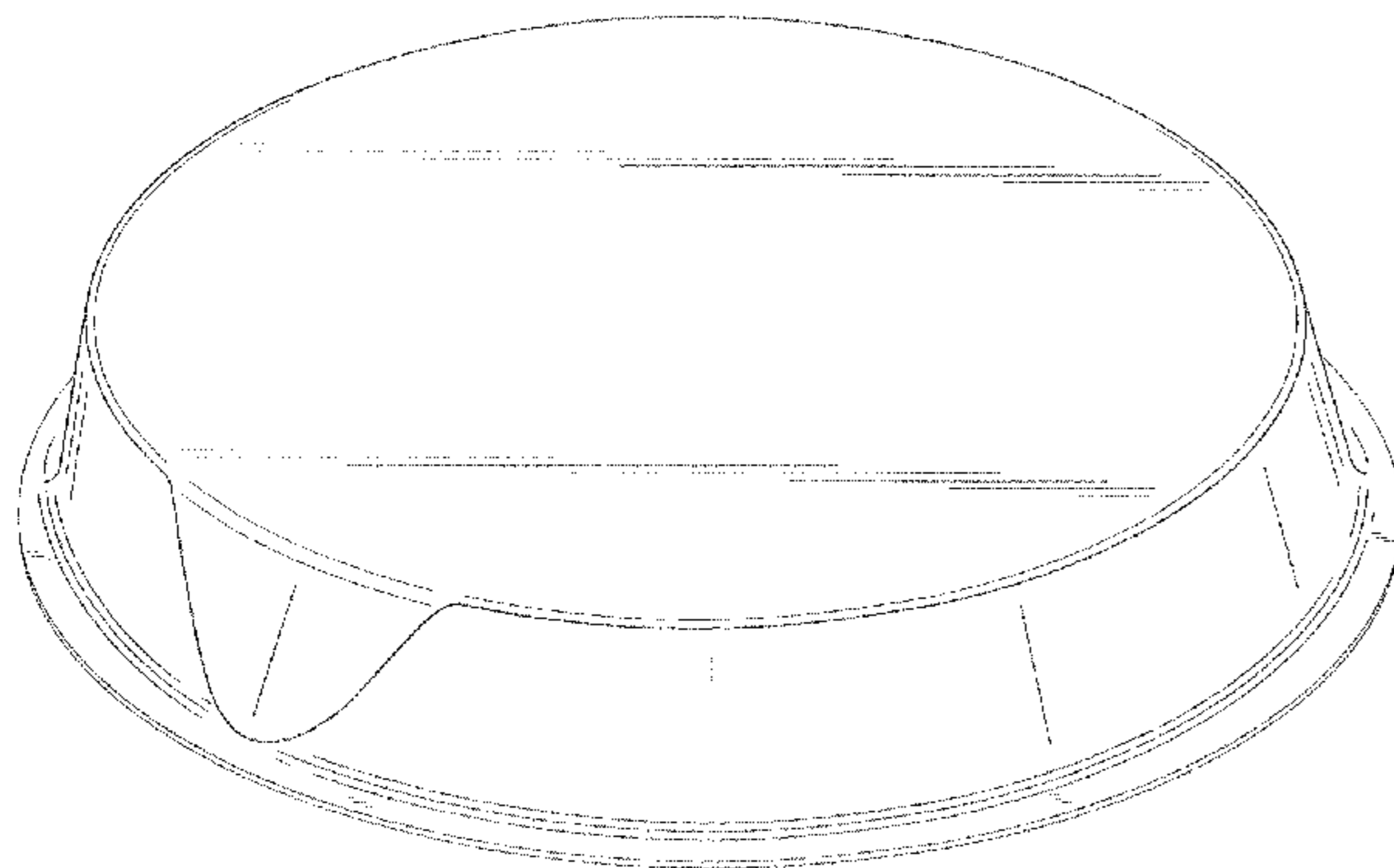
FIG. 5 is a left side view of the design shown in FIG. 1;

FIG. 6 is a right side view of the design shown in FIG. 1;

FIG. 7 is a top view of the design shown in FIG. 1; and,

FIG. 8 is a bottom view of the design shown in FIG. 1.

1 Claim, 5 Drawing Sheets



US D618,860 S

Page 2

U.S. PATENT DOCUMENTS

3,759,228	A *	9/1973	Keen	119/79	6,230,653	B1 *	5/2001	Tobin	119/72
3,810,446	A *	5/1974	Kightlinger et al.	119/61.55	D446,361	S *	8/2001	Elliott	D30/129
D236,064	S *	7/1975	Balbo	D7/558	D447,290	S *	8/2001	Huai	D30/129
3,935,837	A *	2/1976	Mulhern	119/51.12	6,325,930	B2 *	12/2001	Farley	210/282
3,991,719	A *	11/1976	Bruce	119/61.5	6,345,470	B1 *	2/2002	Slaght et al.	47/79
4,015,945	A *	4/1977	Frankel et al.	422/224	D472,768	S	4/2003	Wellner	
D251,169	S	2/1979	Ono		D476,861	S *	7/2003	Zettle et al.	D7/629
4,227,362	A *	10/1980	Wallsten	53/447	6,672,248	B2 *	1/2004	Bourigault	119/63
4,286,546	A *	9/1981	Moore	119/61.54	6,866,005	B1 *	3/2005	Bunker	119/72
4,436,056	A *	3/1984	MacLeod	119/72	D516,867	S	3/2006	Martin et al.	
D279,175	S *	6/1985	Eklof	D11/164	D520,749	S	5/2006	Boutin	
D279,949	S *	8/1985	Rossin	D7/565	D523,296	S *	6/2006	Kim	D7/629
4,576,301	A *	3/1986	Tedder	220/571	D523,695	S	7/2006	Haataja	
D284,438	S	7/1986	Levien		D526,541	S *	8/2006	Repp et al.	D7/667
D286,333	S *	10/1986	Fassauer	D30/130	D533,394	S	12/2006	Chiang et al.	
D287,404	S *	12/1986	Johansson et al.	D24/121	D537,679	S	3/2007	Majka	
D287,772	S *	1/1987	Stewart	D30/129	D538,981	S *	3/2007	Skowronski	D30/132
D289,269	S *	4/1987	Fleckenstein	D11/157	7,263,949	B1 *	9/2007	Seaford	119/51.5
4,762,087	A *	8/1988	Henecke	119/61.56	7,296,539	B2 *	11/2007	Ijas	119/61.54
4,886,016	A *	12/1989	Atchley	119/61.54	7,306,112	B2 *	12/2007	Shepard	220/506
D323,411	S *	1/1992	Oathout	D30/130	7,387,082	B1 *	6/2008	Fried	119/61.5
5,133,293	A *	7/1992	Boozer	119/61.57	D576,448	S *	9/2008	Harris	D7/505
5,209,184	A *	5/1993	Sharkan et al.	119/61.56	D582,101	S *	12/2008	Shamoon	D30/129
5,297,504	A *	3/1994	Carrico	119/61.54	7,487,741	B2 *	2/2009	Jordan	119/61.54
D351,263	S *	10/1994	Evans	D30/129	7,527,018	B2 *	5/2009	Manley-Hood	119/61.5
5,493,998	A *	2/1996	Warren	119/61.54	D593,364	S *	6/2009	Harris	D7/505
5,524,823	A *	6/1996	Miller	239/29	D601,310	S *	9/2009	Greenan	D30/129
D376,960	S *	12/1996	Ferris	D7/629	7,600,486	B2 *	10/2009	Ellis	119/61.5
D383,571	S *	9/1997	Frodsham	D30/132	D605,894	S *	12/2009	Drennow	D7/397
5,709,168	A *	1/1998	Walker	119/61.5	7,637,390	B2 *	12/2009	Bocola	220/849
5,738,037	A *	4/1998	Mahan	119/72	2005/0127074	A1 *	6/2005	Kusuma et al.	220/6
5,791,287	A *	8/1998	Gruber	119/74	2005/0218144	A1 *	10/2005	Price	220/574
D402,509	S	12/1998	Indekeu		2006/0016817	A1 *	1/2006	Sheppard et al.	220/506
5,857,427	A *	1/1999	Kelley	119/61.56	2006/0201434	A1 *	9/2006	Kujawa et al.	119/61.5
5,960,740	A *	10/1999	Pelsor	119/61.54	2007/0151010	A1 *	7/2007	Ellerbe	4/300.3
6,032,824	A *	3/2000	Barrow	220/621	2007/0251874	A1 *	11/2007	Stewart	210/232
D423,732	S *	4/2000	McGee	D30/129	2008/0105205	A1 *	5/2008	Goehring	119/51.02
6,070,359	A *	6/2000	Liu	47/79	2008/0216753	A1 *	9/2008	Wang	119/61.1
D430,458	S	9/2000	Kellermann		2008/0264345	A1 *	10/2008	Kujawa et al.	119/61.5
6,125,790	A *	10/2000	Breedwell	119/51.5	2008/0302307	A1 *	12/2008	Bertsch et al.	119/61.5
6,142,101	A *	11/2000	Pelsor	119/61.54	2008/0314326	A1 *	12/2008	Albert	119/61.56

* cited by examiner

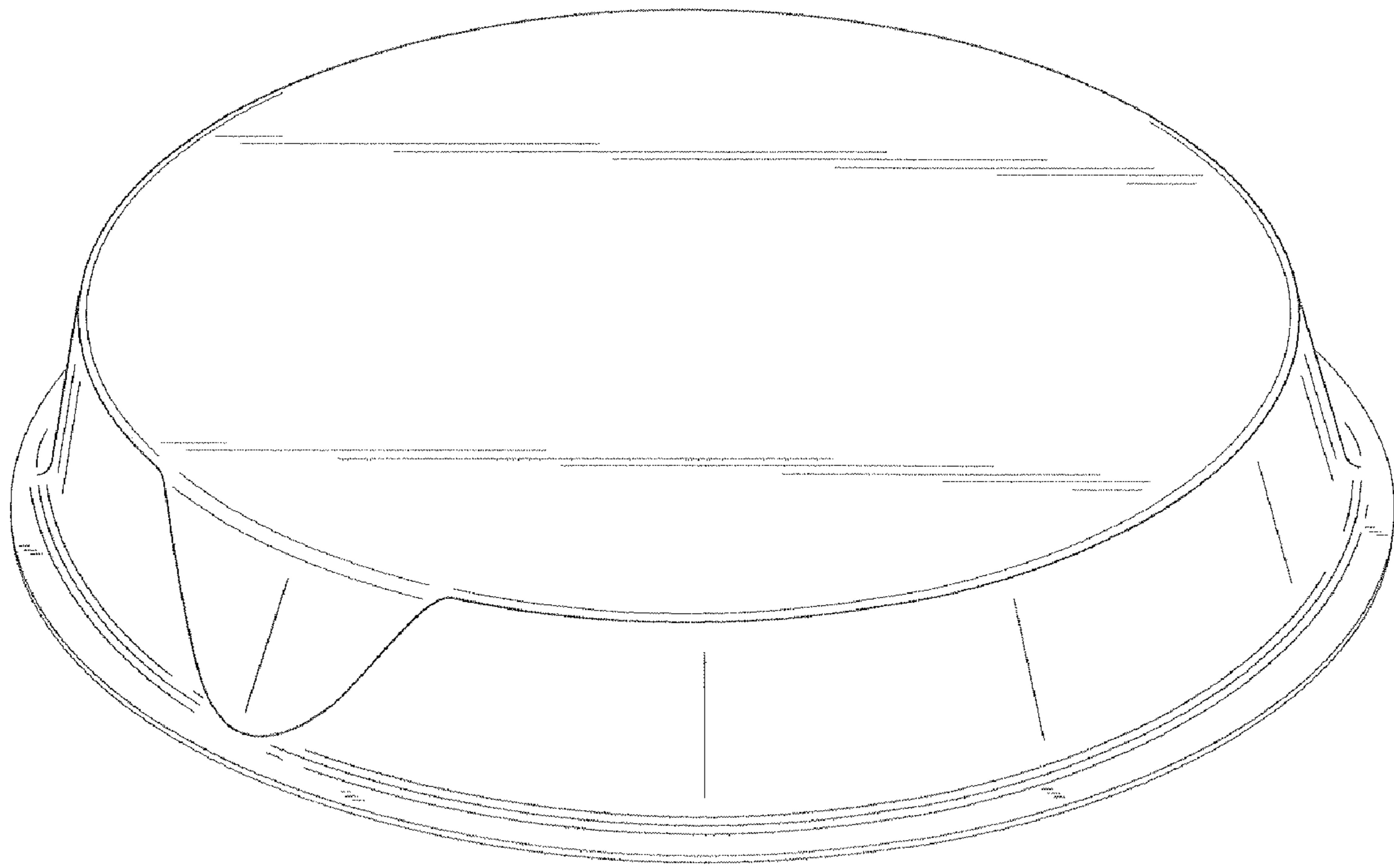


FIG. 1

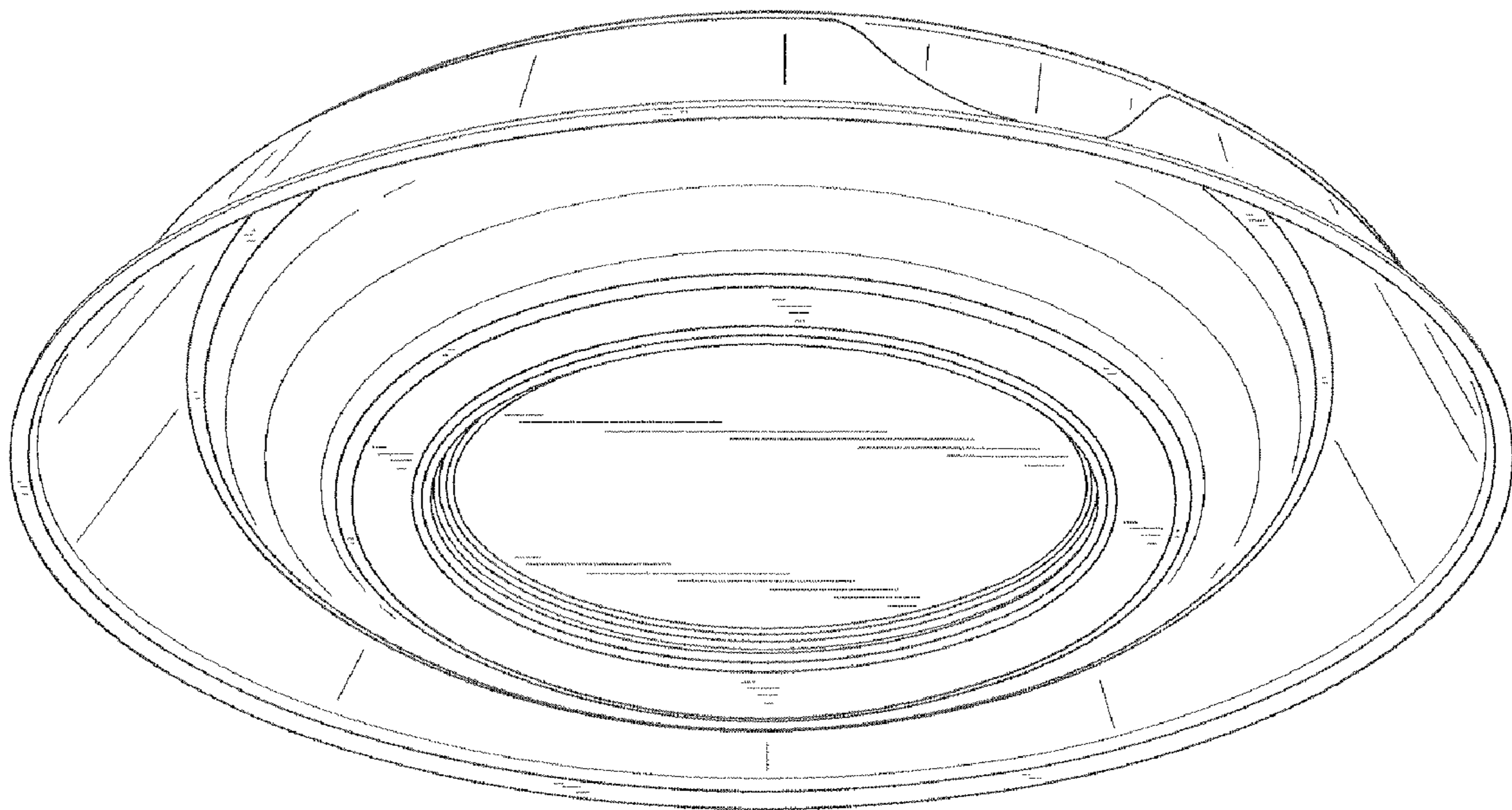


FIG. 2

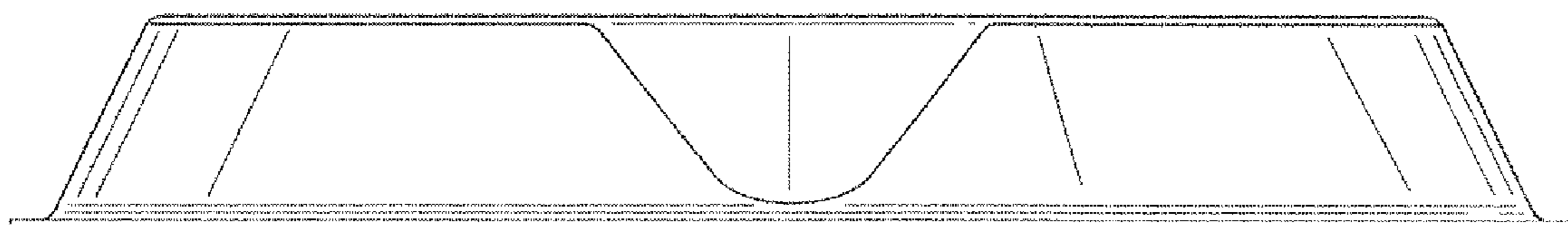


FIG. 3

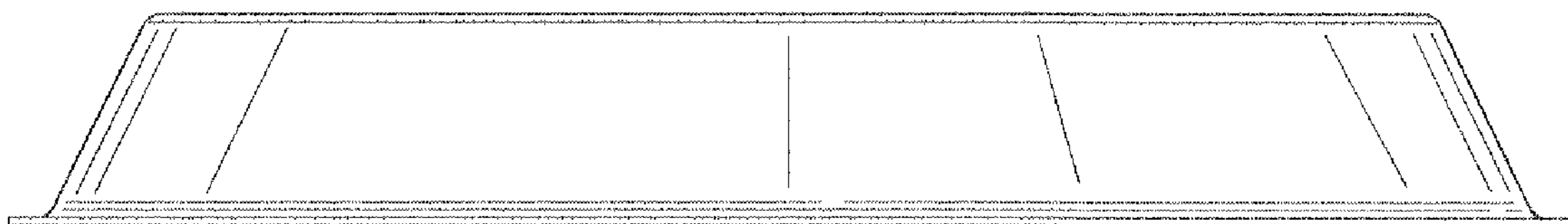


FIG. 4

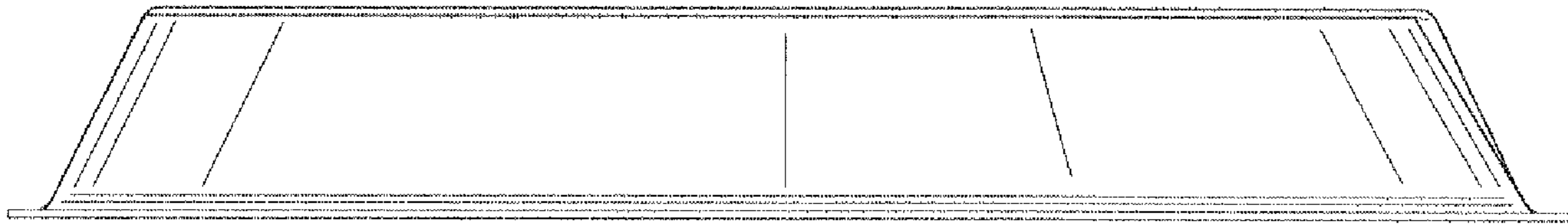


FIG. 5

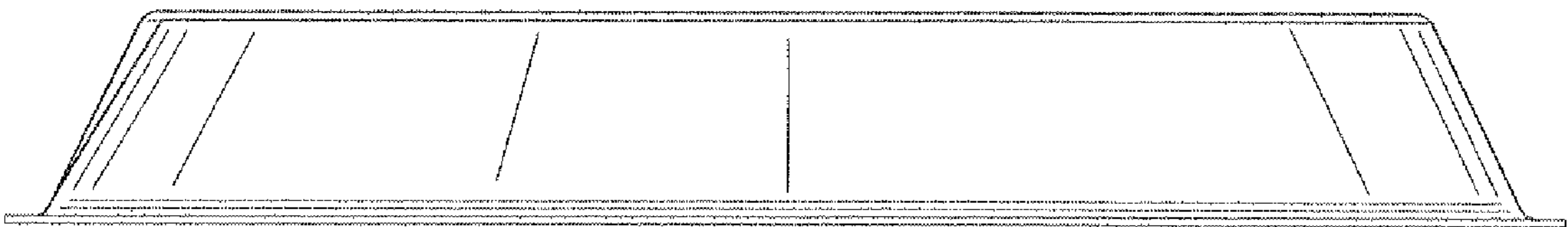


FIG. 6

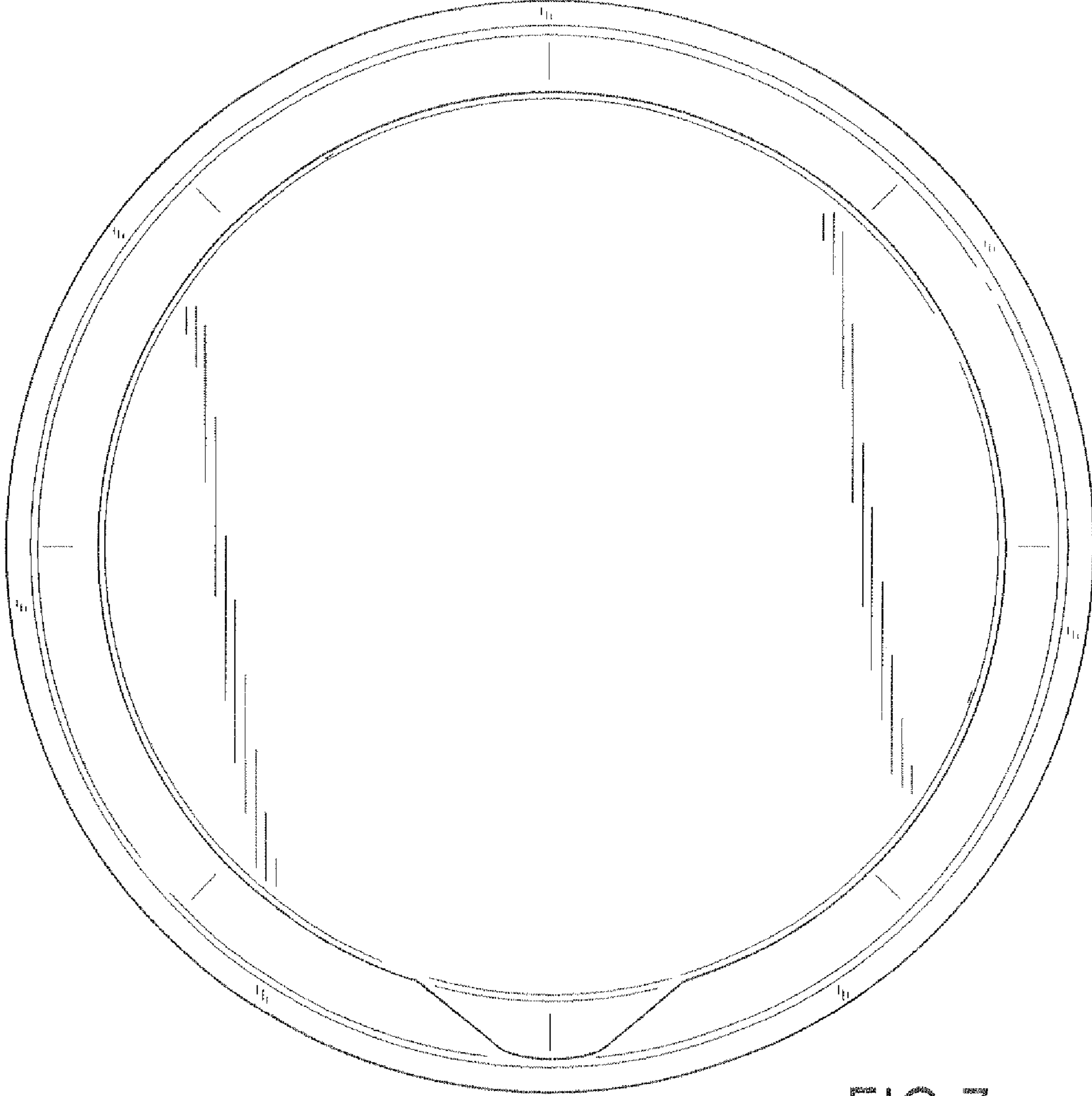


FIG.7

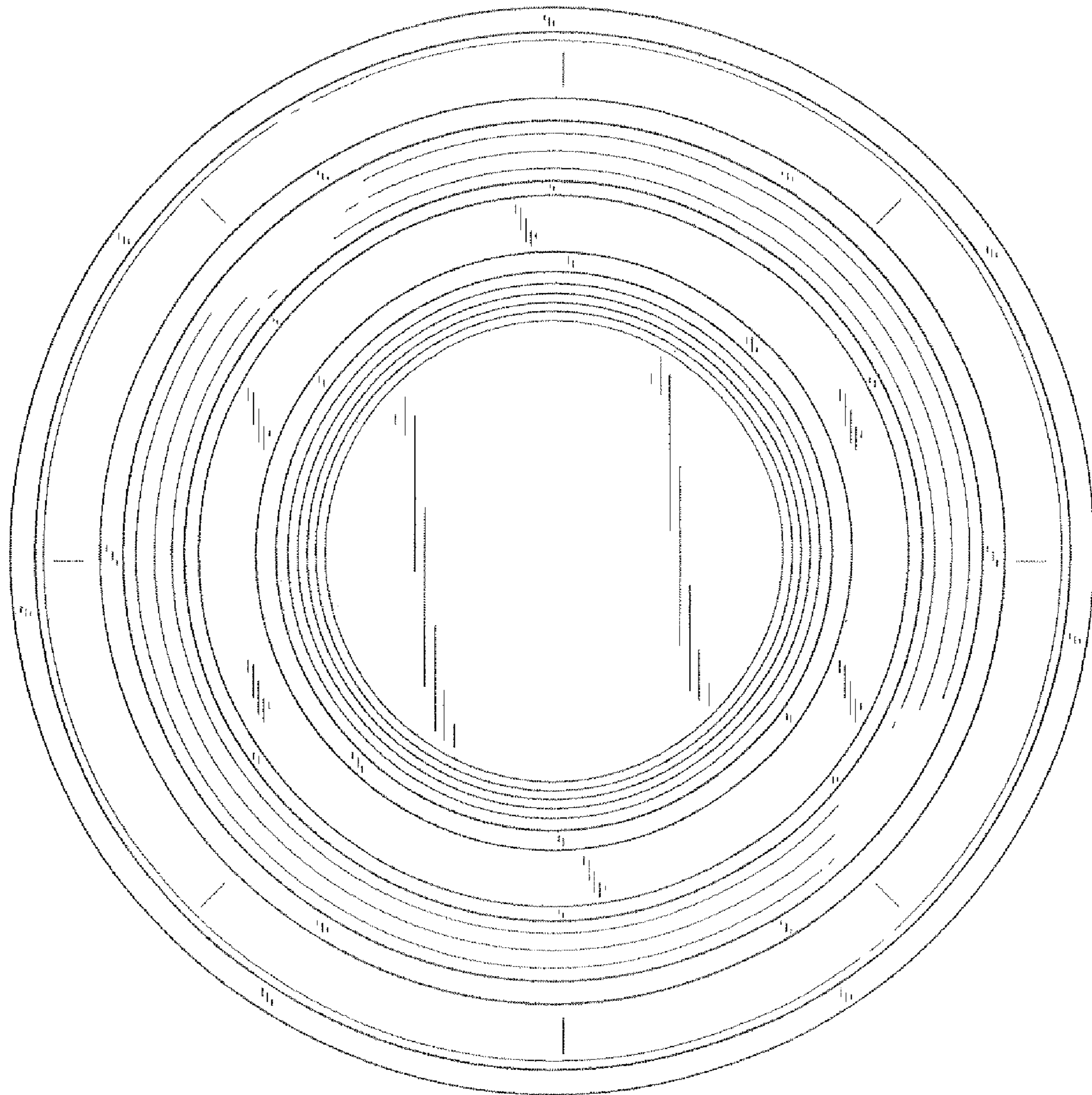


FIG. 8