



US00D618854S

(12) **United States Design Patent**
Lin

(10) **Patent No.:** **US D618,854 S**
(45) **Date of Patent:** **** Jun. 29, 2010**

(54) **COSMETIC CONTAINER**

DESCRIPTION

(75) Inventor: **Shao-Chung Lin**, Taipei Hsien (TW)

(73) Assignee: **Dongguan Mei Guan Cosmetics Co., Ltd.**, Guangdon (CN)

(**) Term: **14 Years**

(21) Appl. No.: **29/334,990**

(22) Filed: **Apr. 7, 2009**

(51) **LOC (9) Cl.** **28-03**

(52) **U.S. Cl.** **D28/83**

(58) **Field of Classification Search** D28/73,
D28/76-78, 83; 220/4.26-4.27; 132/286,
132/287, 293-307, 314-318; 206/581, 823;
D3/205

See application file for complete search history.

(56) **References Cited**

U.S. PATENT DOCUMENTS

4,821,751	A *	4/1989	Chen	132/315
D349,977	S *	8/1994	Shen	D28/78
5,358,100	A *	10/1994	Wolff	132/315
5,878,757	A *	3/1999	Hernandez	132/314
5,941,255	A *	8/1999	Chen	132/315
D479,895	S *	9/2003	Lai	D28/83
D480,180	S *	9/2003	Lai	D28/83

* cited by examiner

Primary Examiner—Jennifer Rivard

(57) **CLAIM**

The ornamental design for a cosmetic container, as shown and described.

FIG. 1 is a front elevational view of a cosmetic container showing my new design;

FIG. 2 is a rear elevational view thereof;

FIG. 3 is a left side view thereof;

FIG. 4 is a right side view thereof;

FIG. 5 is a top plan view thereof;

FIG. 6 is a bottom plan view thereof;

FIG. 7 is a perspective view thereof;

FIG. 8 is a front elevational view of the cosmetic container in an open position;

FIG. 9 is a rear elevational view of the cosmetic container as shown in FIG. 8;

FIG. 10 is a left side view of the cosmetic container as shown in FIG. 8;

FIG. 11 is a right side view of the cosmetic container as shown in FIG. 8;

FIG. 12 is a top plan view of the cosmetic container as shown in FIG. 8;

FIG. 13 is a bottom plan view of the cosmetic container as shown in FIG. 8;

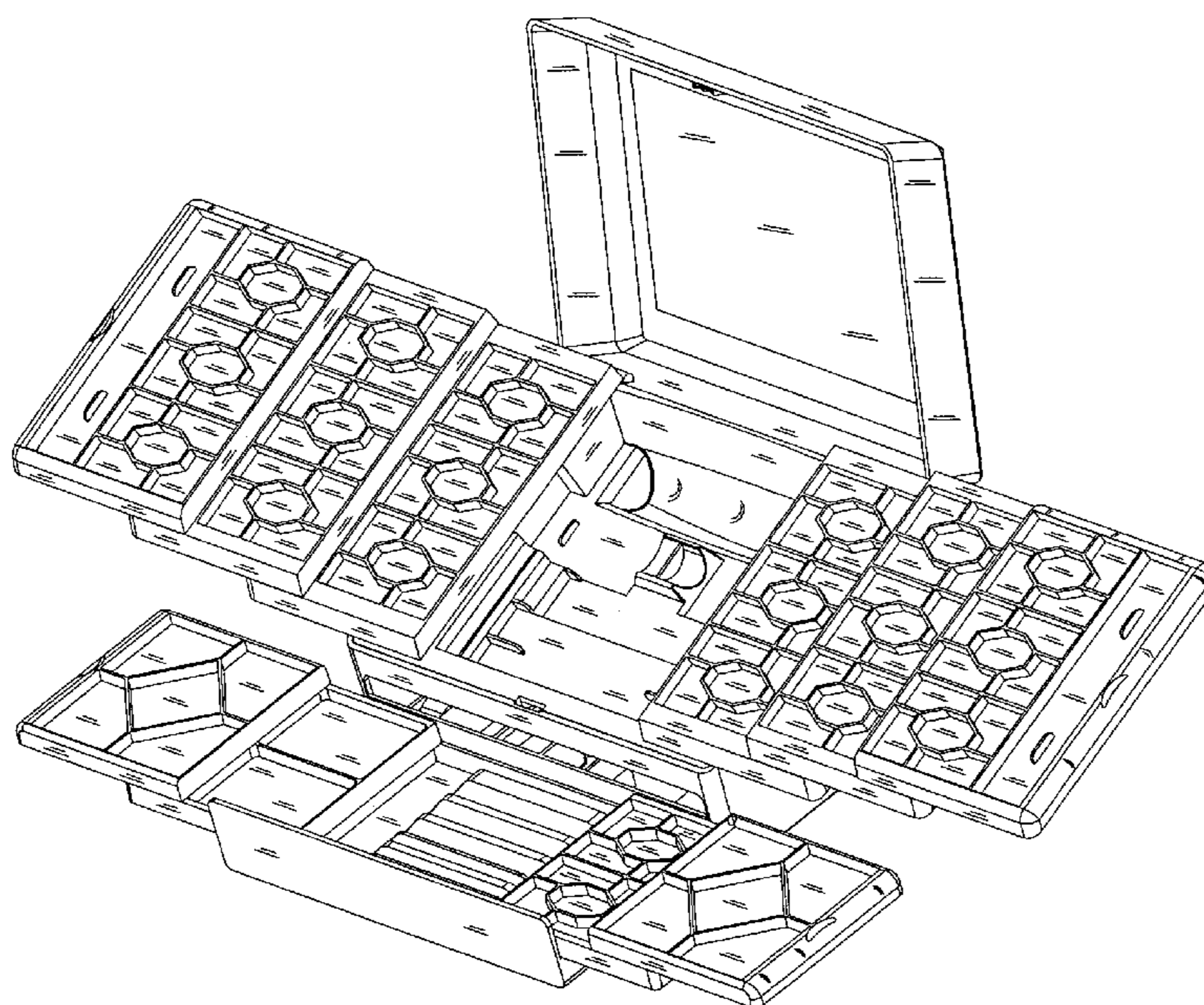
FIG. 14 is a perspective view of the cosmetic container as shown in FIG. 8;

FIG. 15 is another perspective view of the cosmetic container as shown in FIG. 8;

FIG. 16 is another perspective view of the cosmetic container as shown in FIG. 8; and,

FIG. 17 is a bottom perspective view of the cosmetic container as shown in FIG. 8.

1 Claim, 9 Drawing Sheets



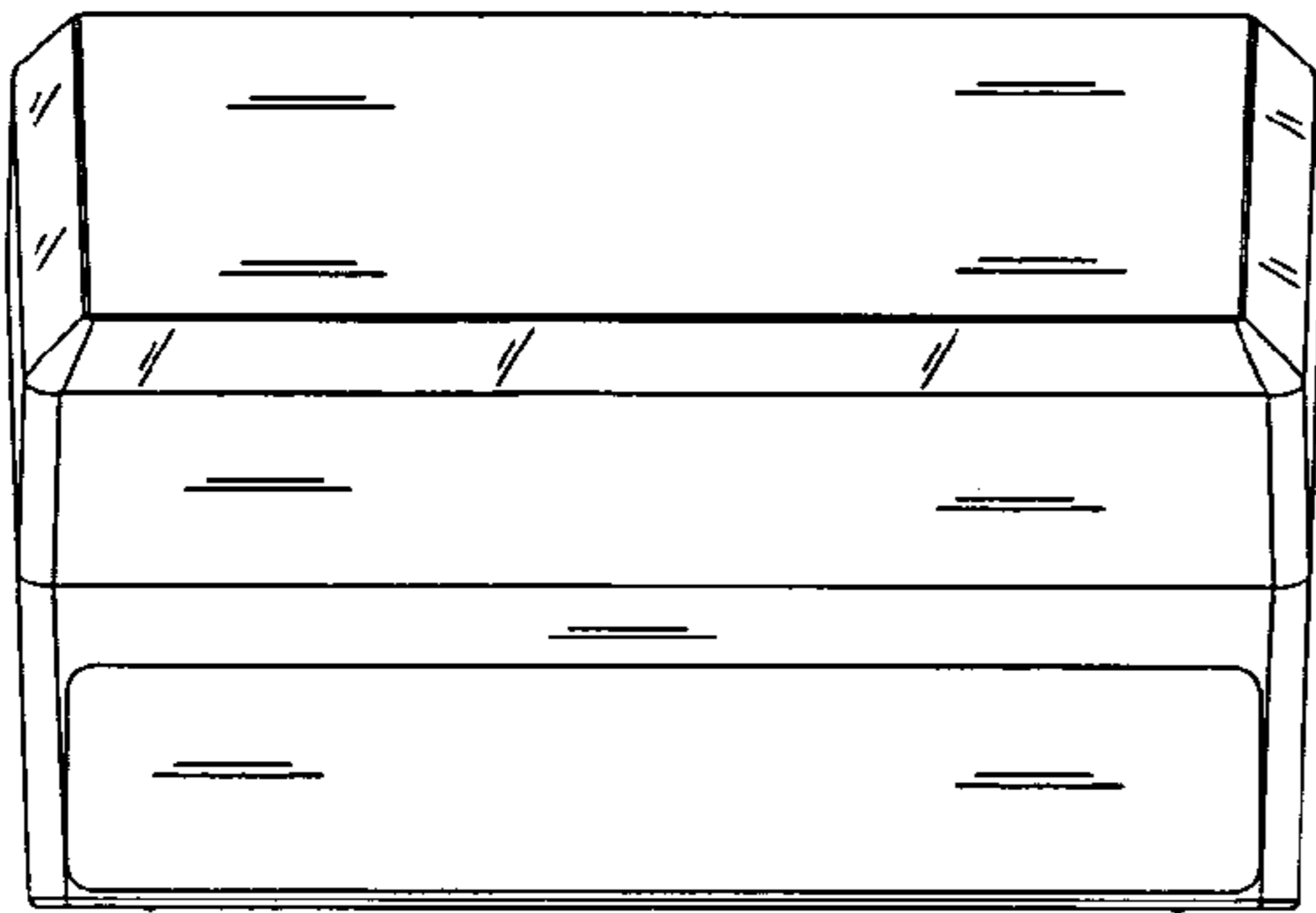


FIG. 1

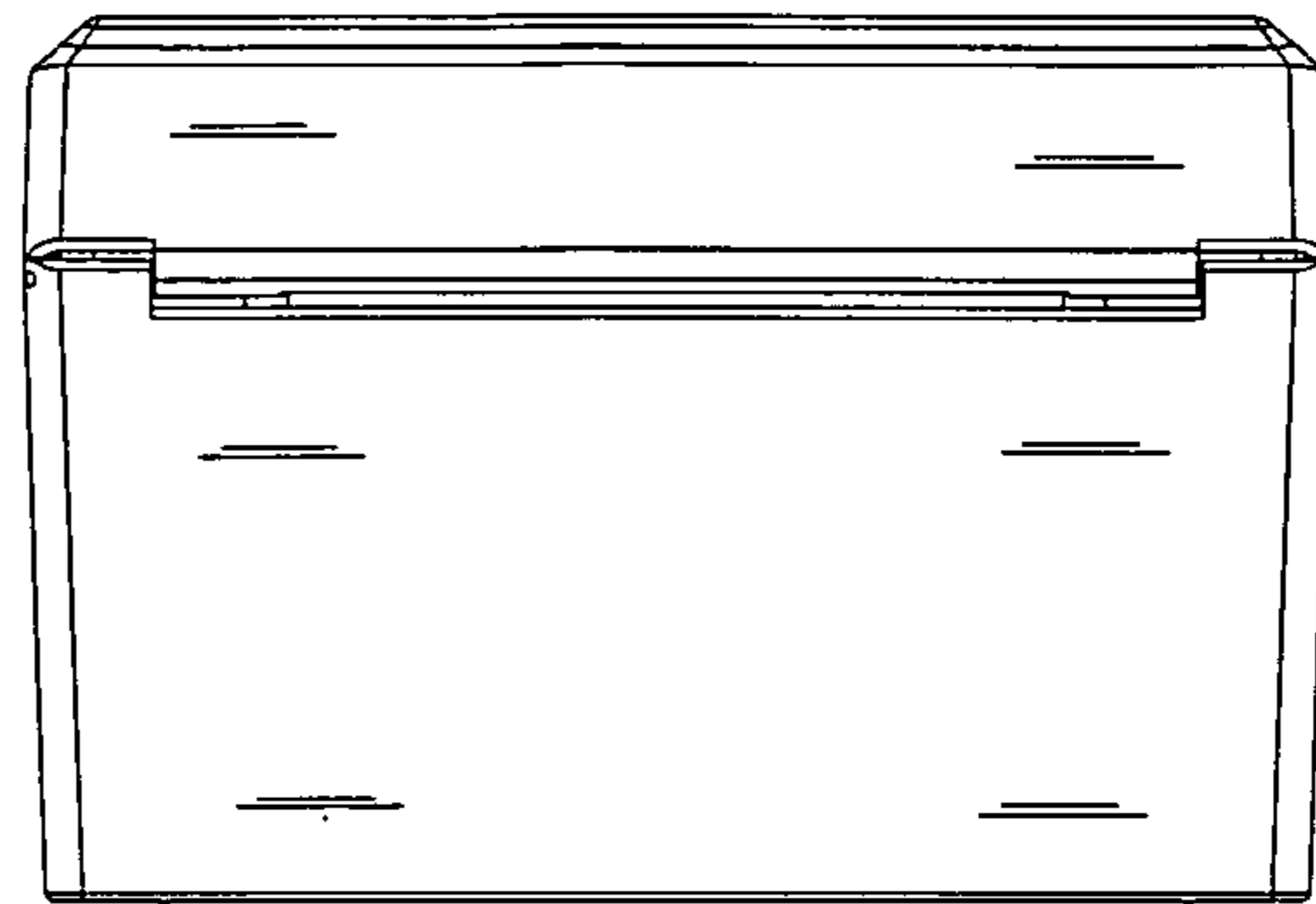


FIG. 2

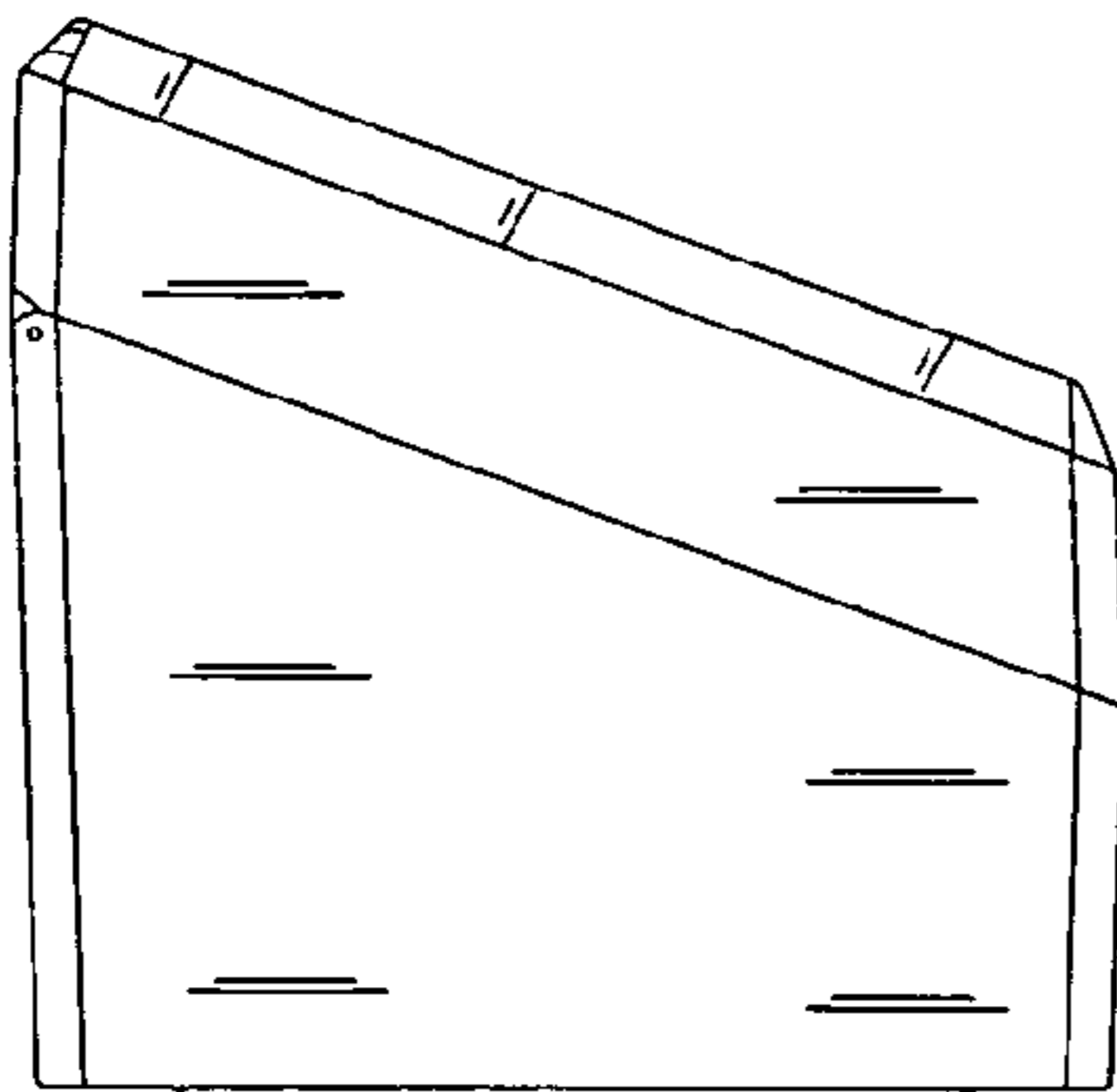


FIG. 3

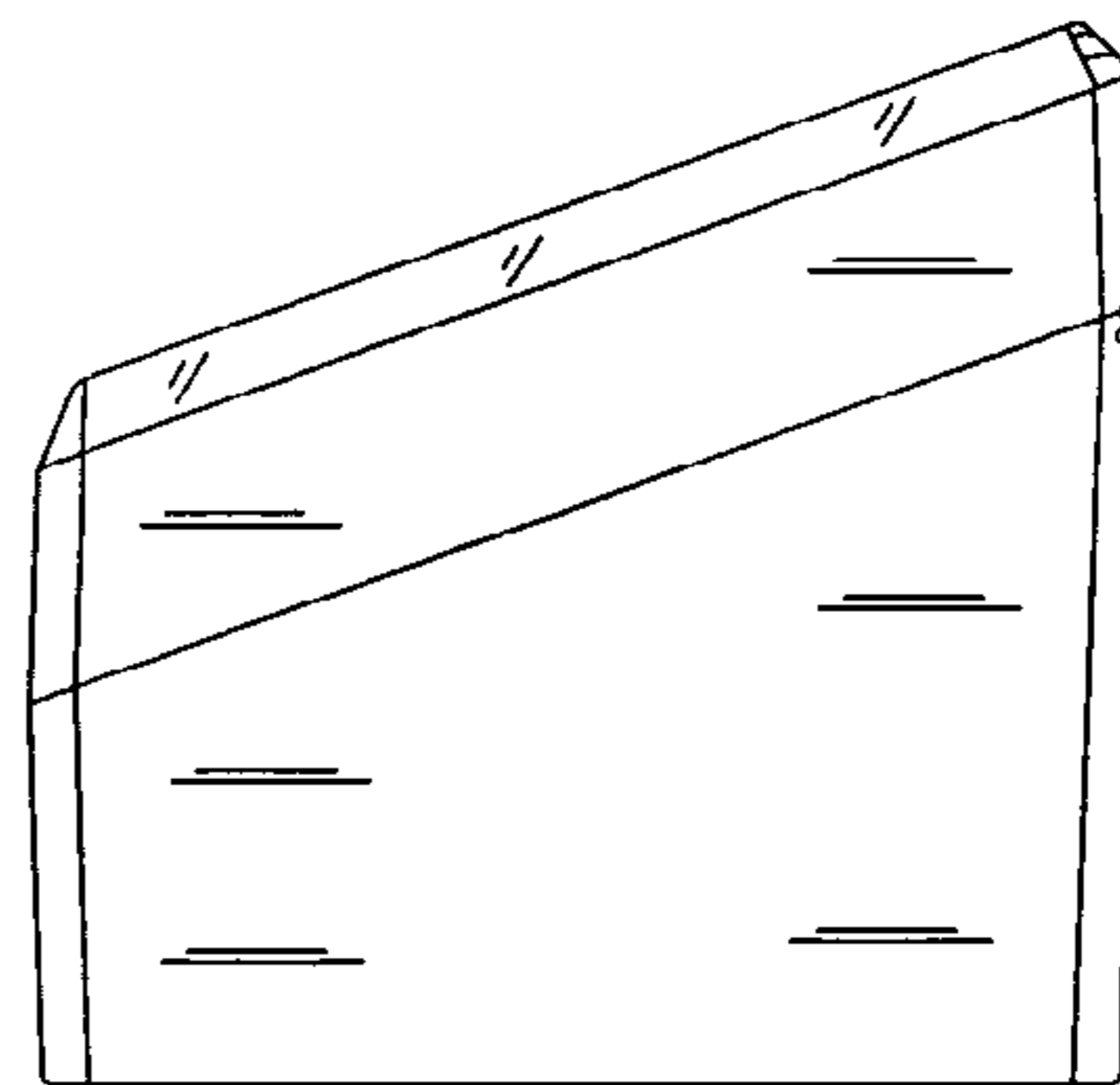


FIG. 4

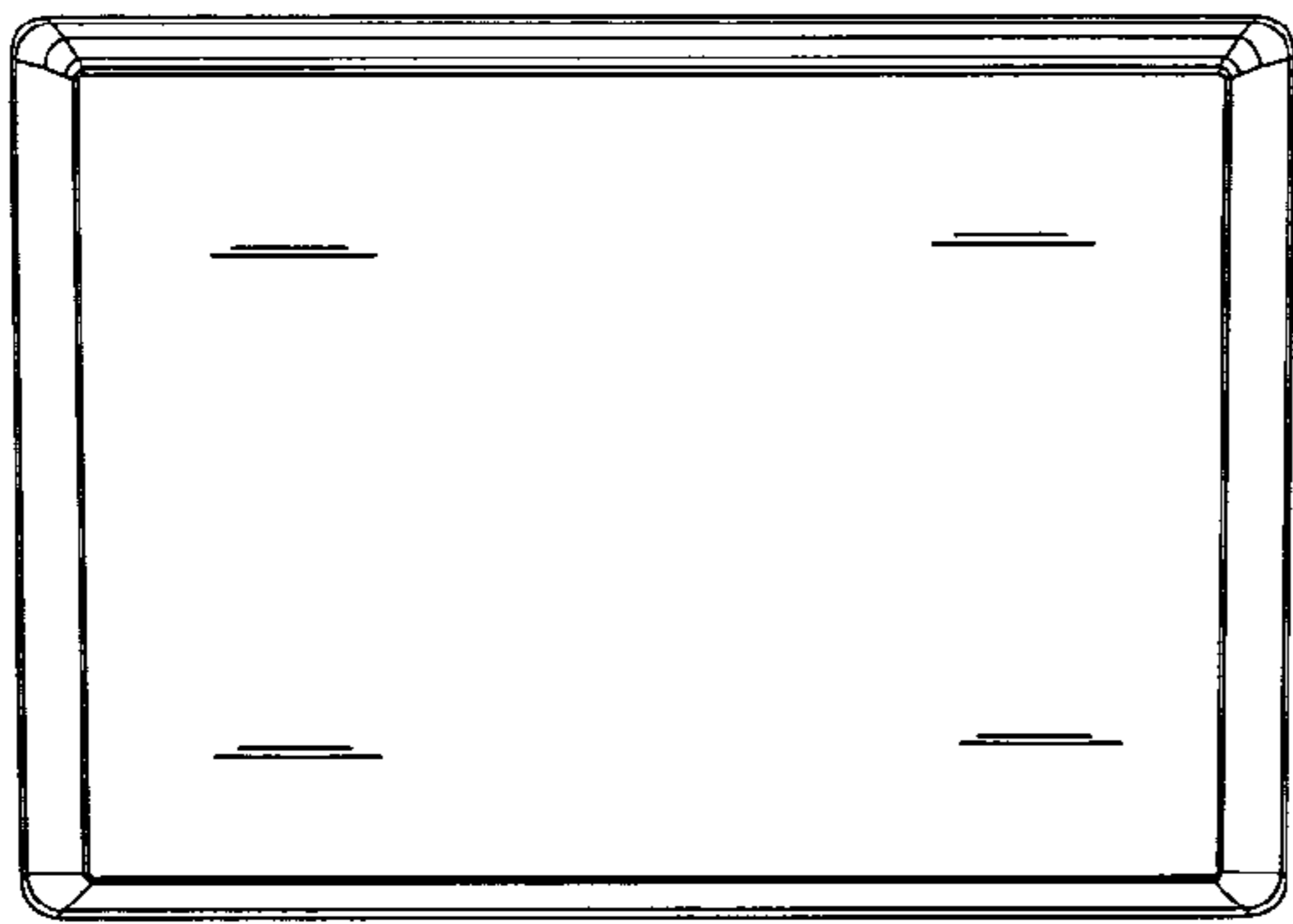


FIG. 5

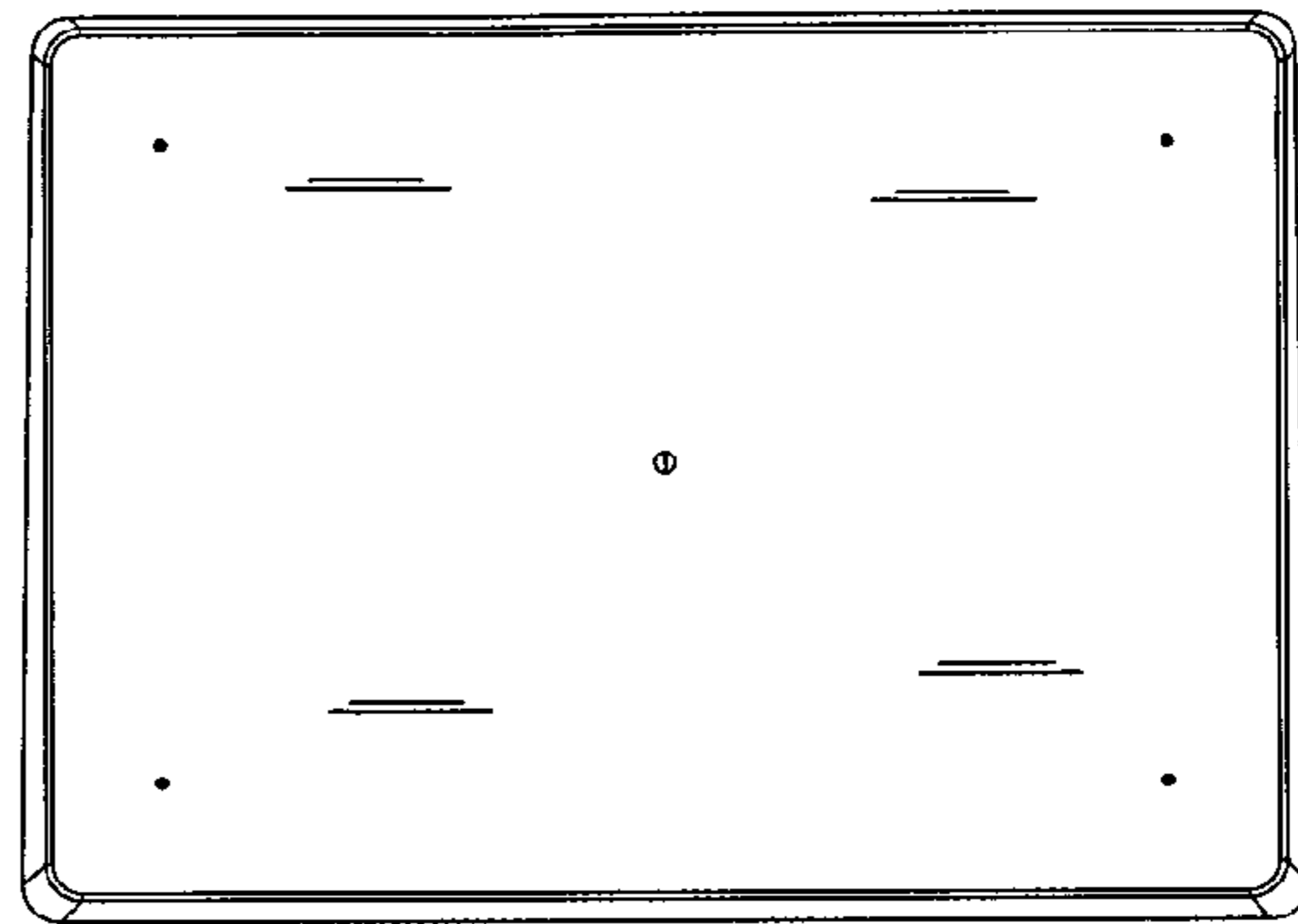


FIG. 6

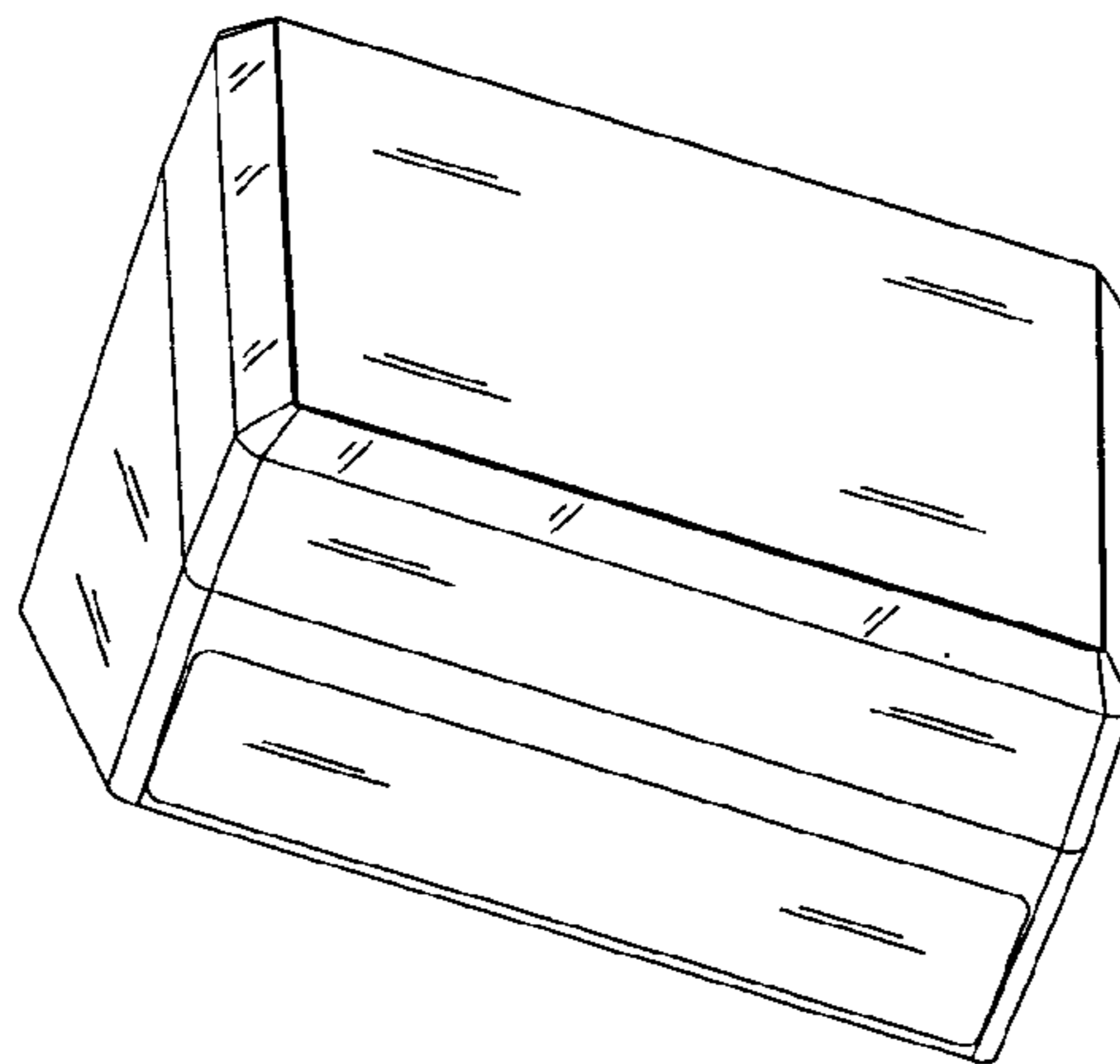


FIG. 7

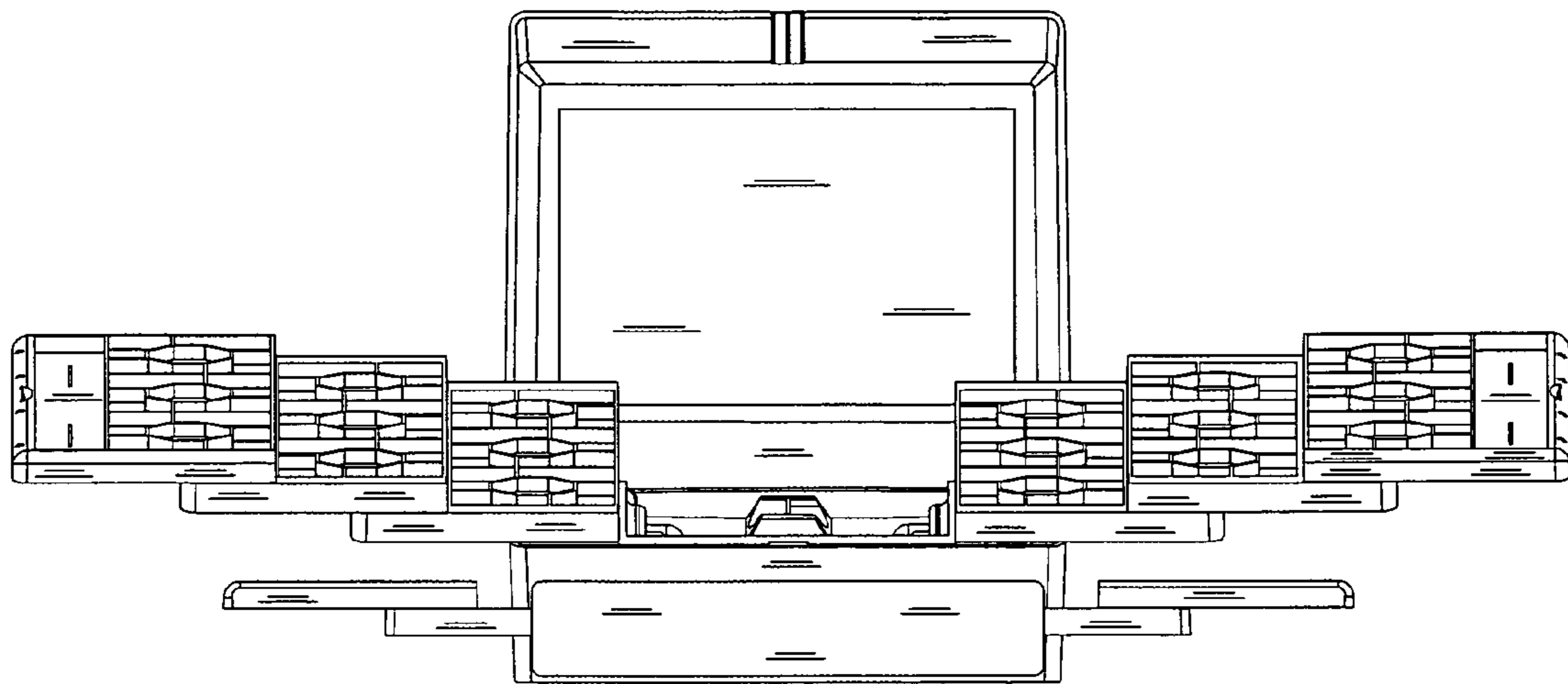


FIG. 8

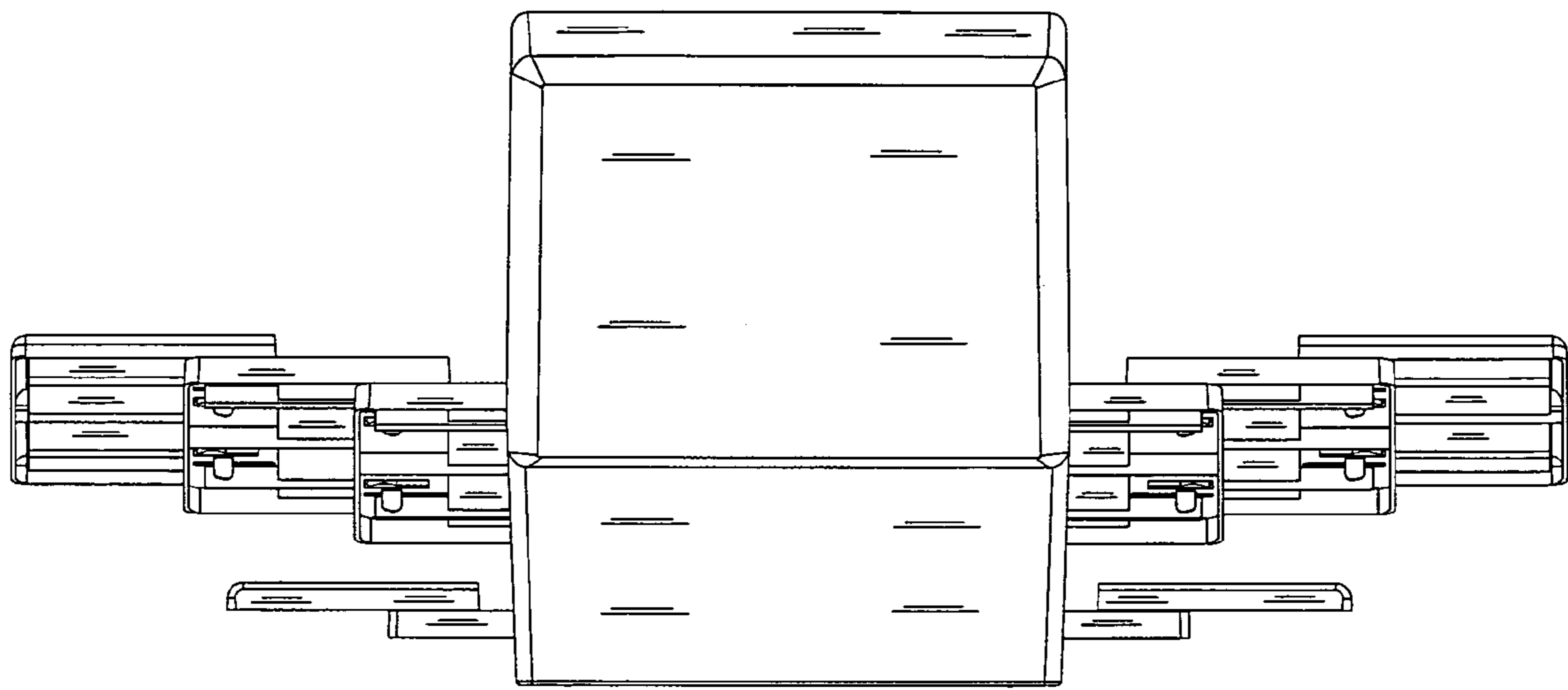


FIG. 9

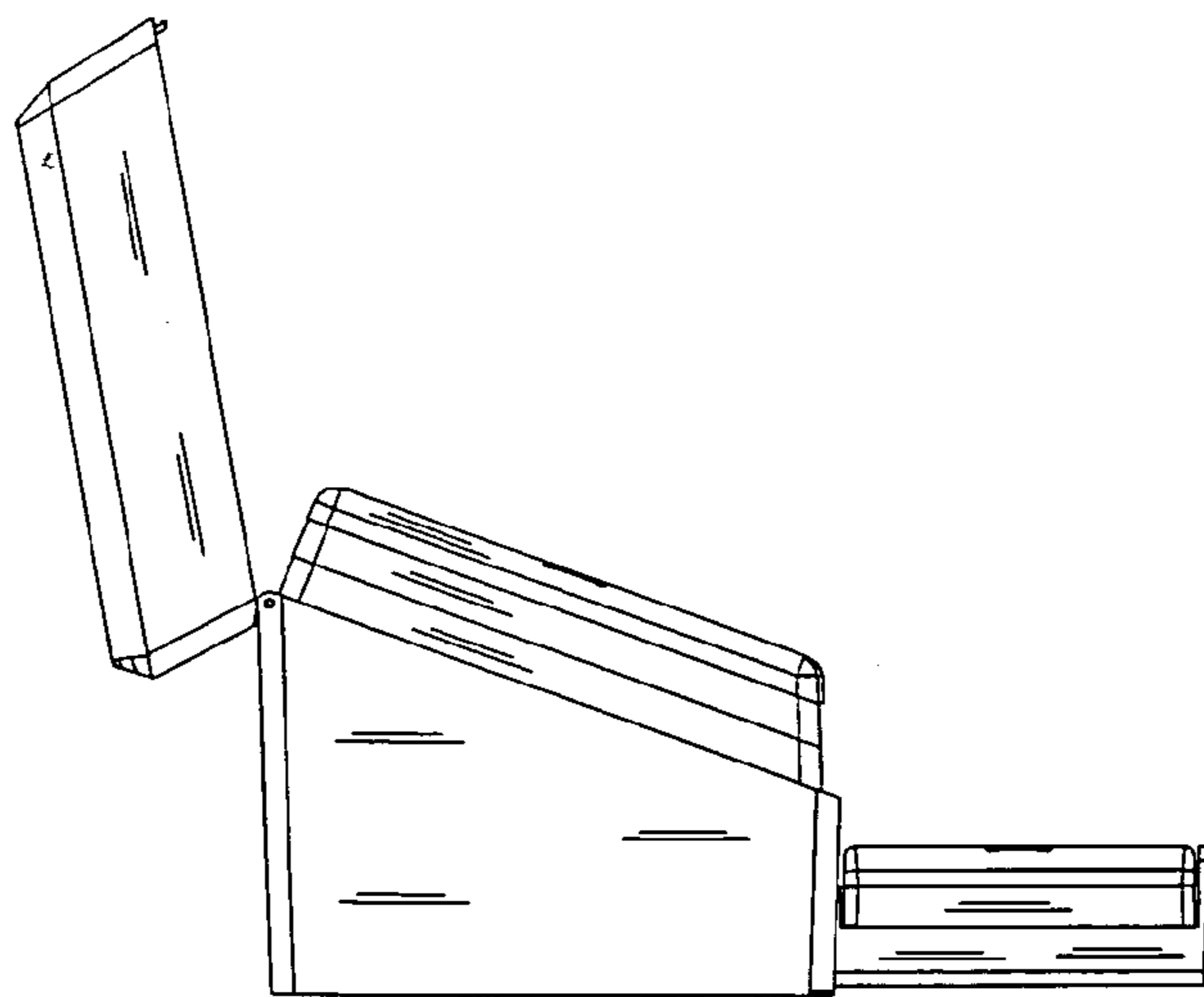


FIG. 10

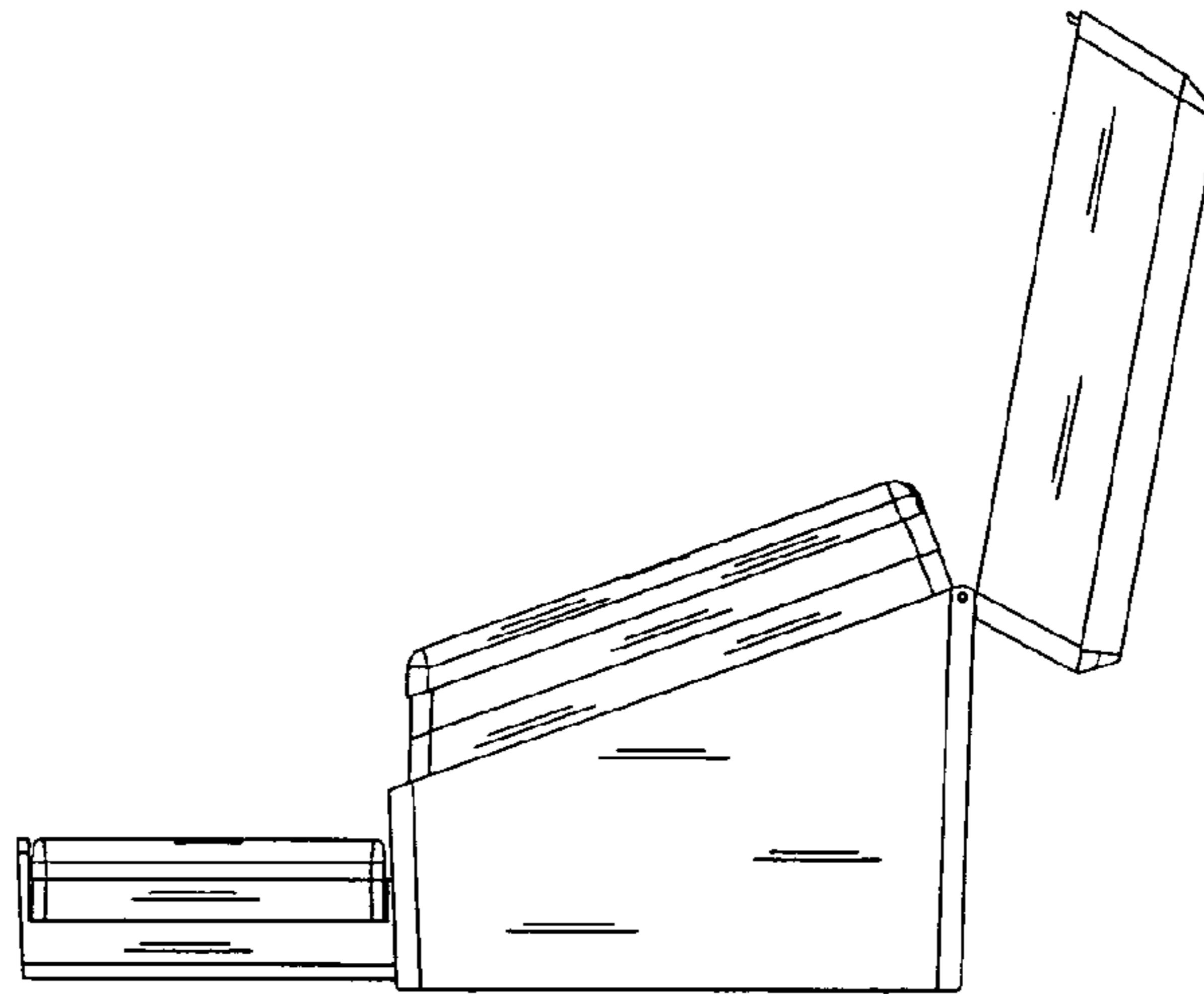


FIG. 11

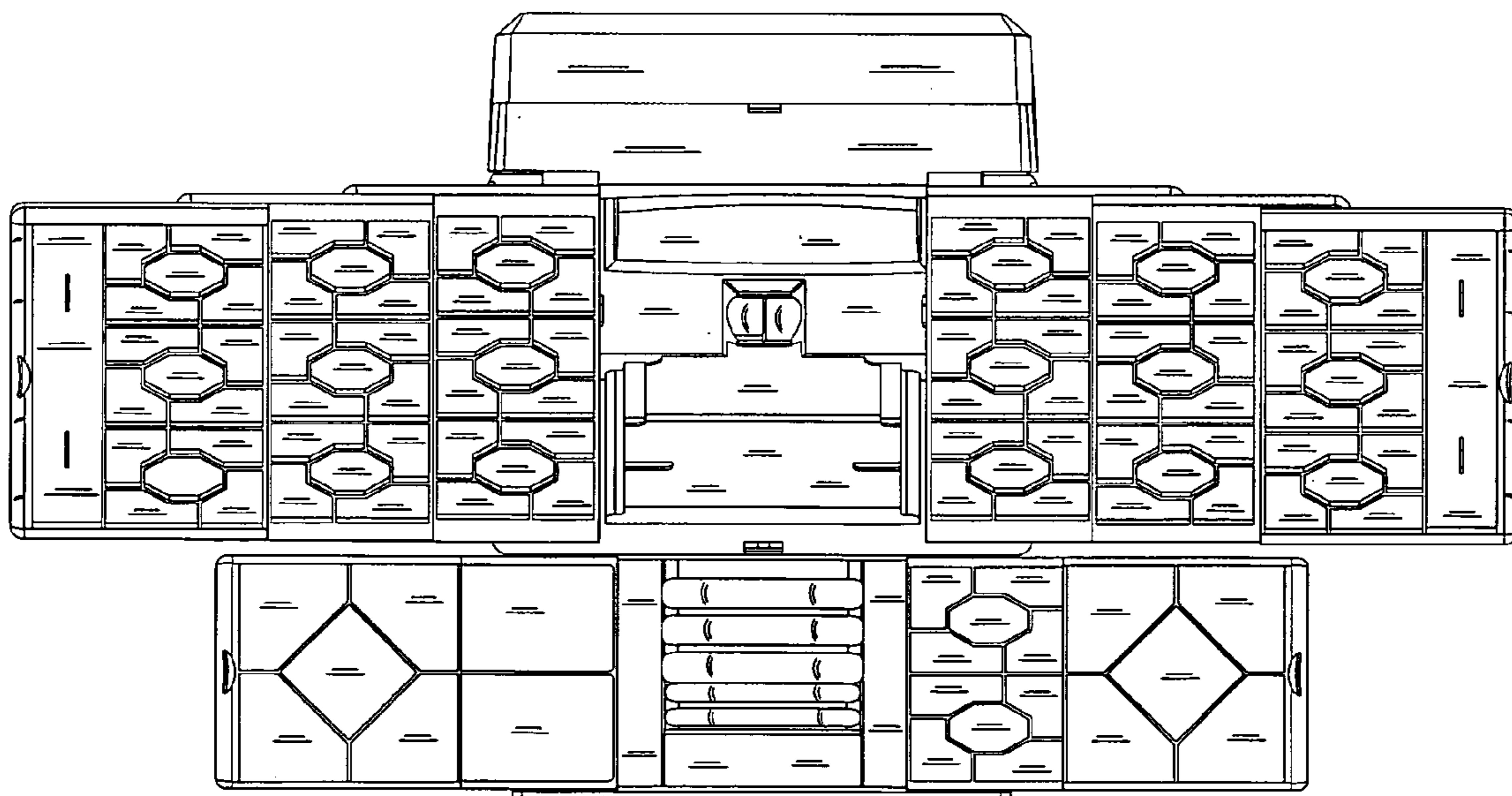


FIG. 12

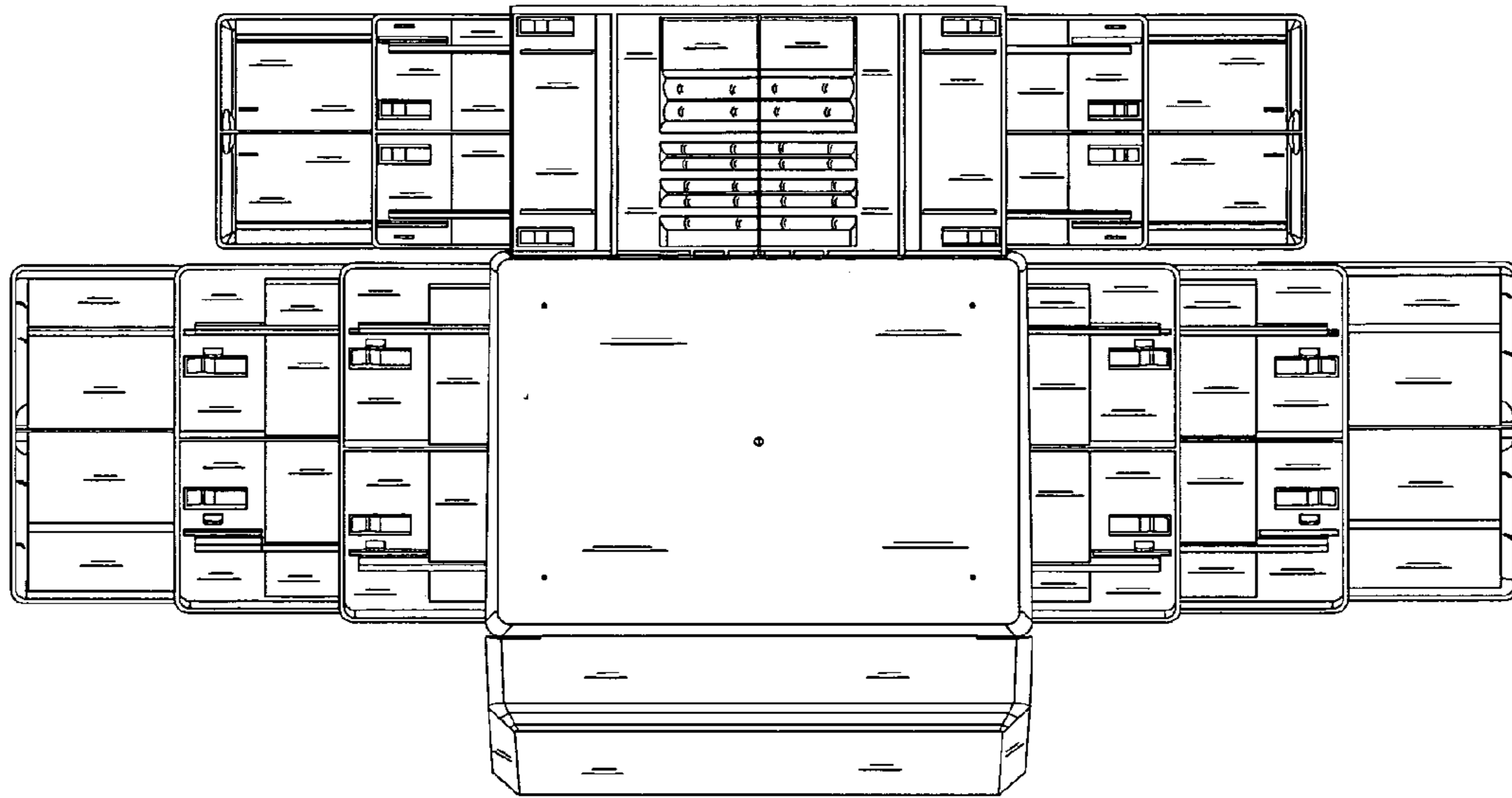


FIG. 13

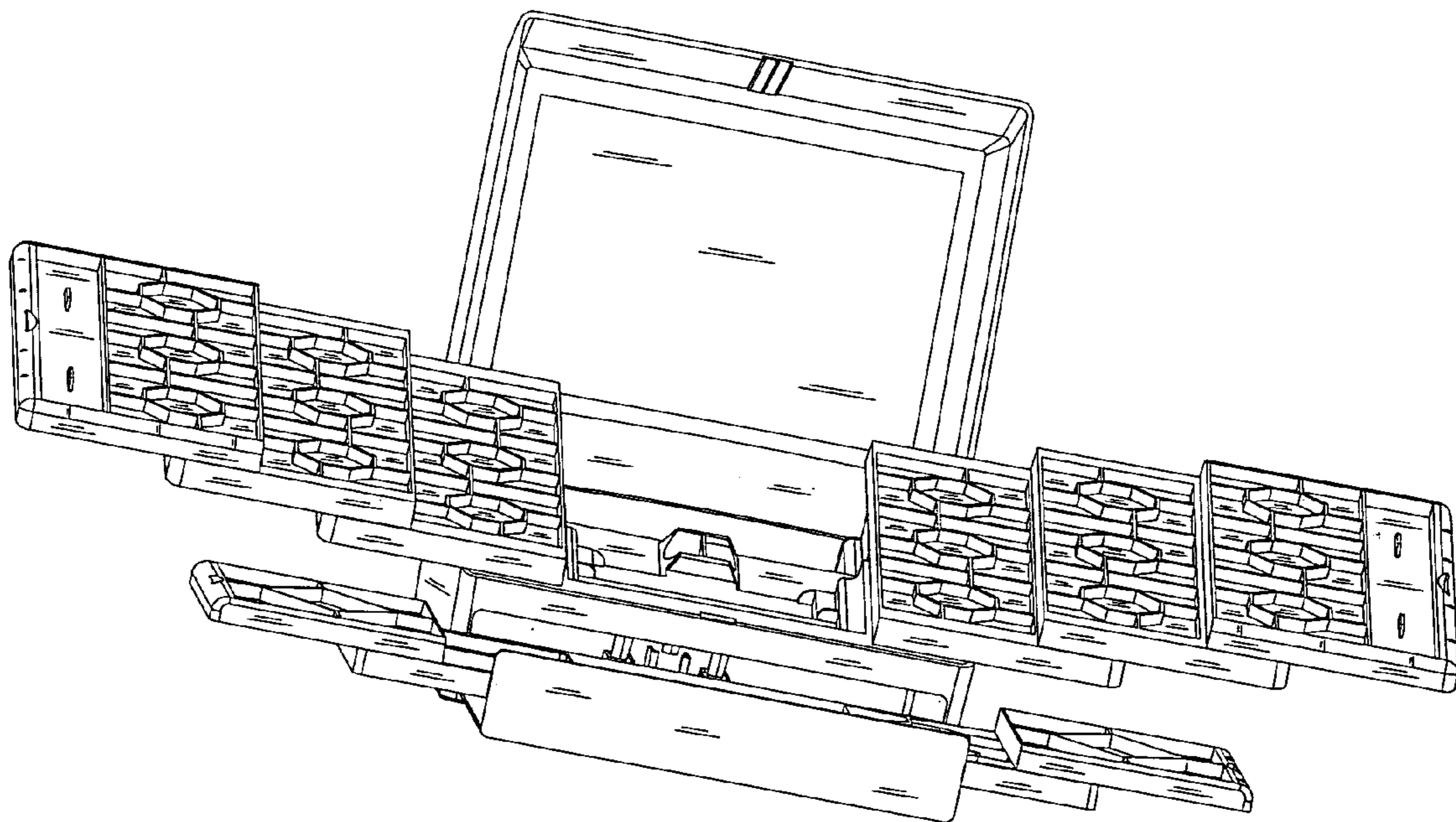


FIG. 14

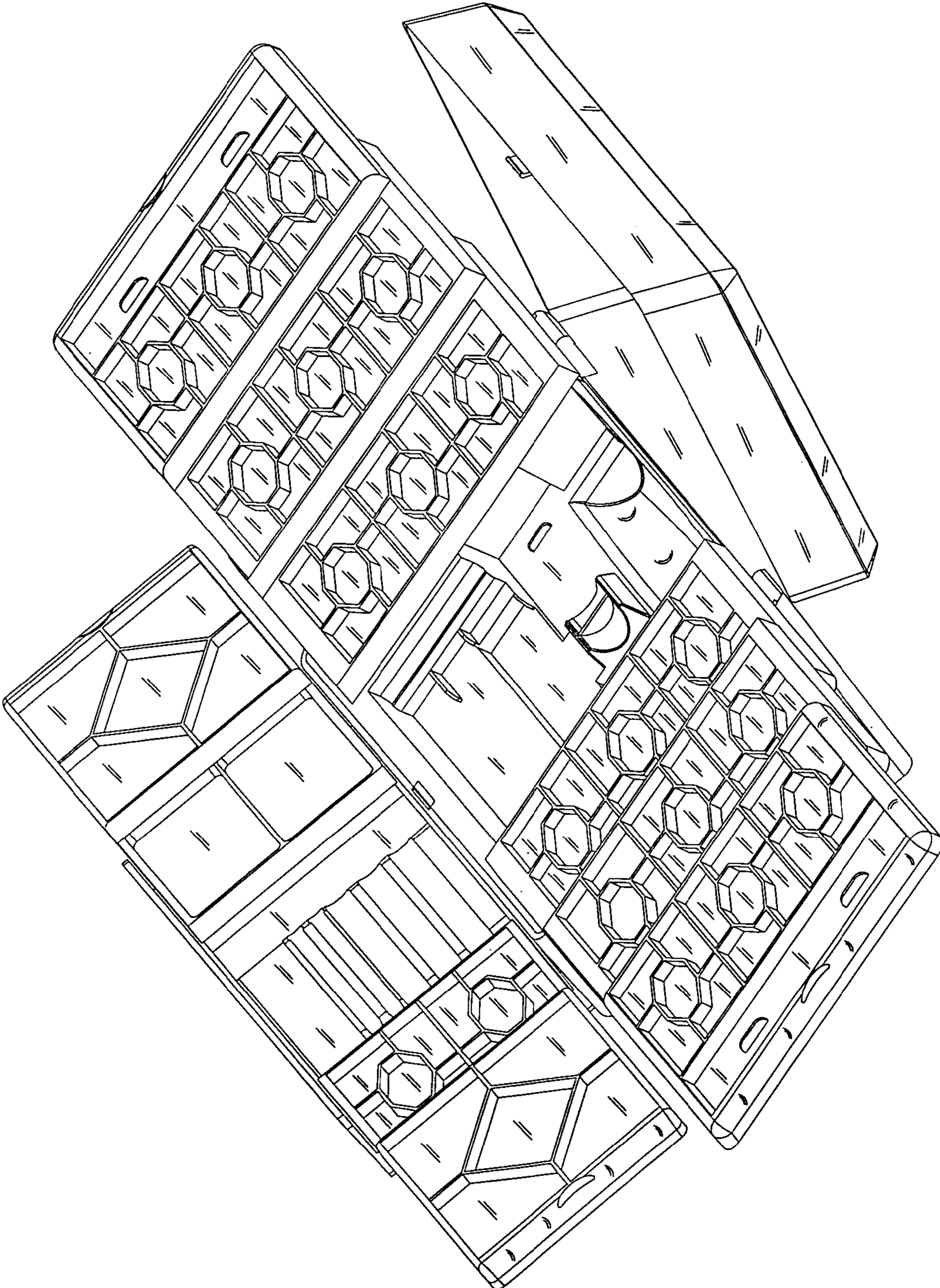


FIG. 15

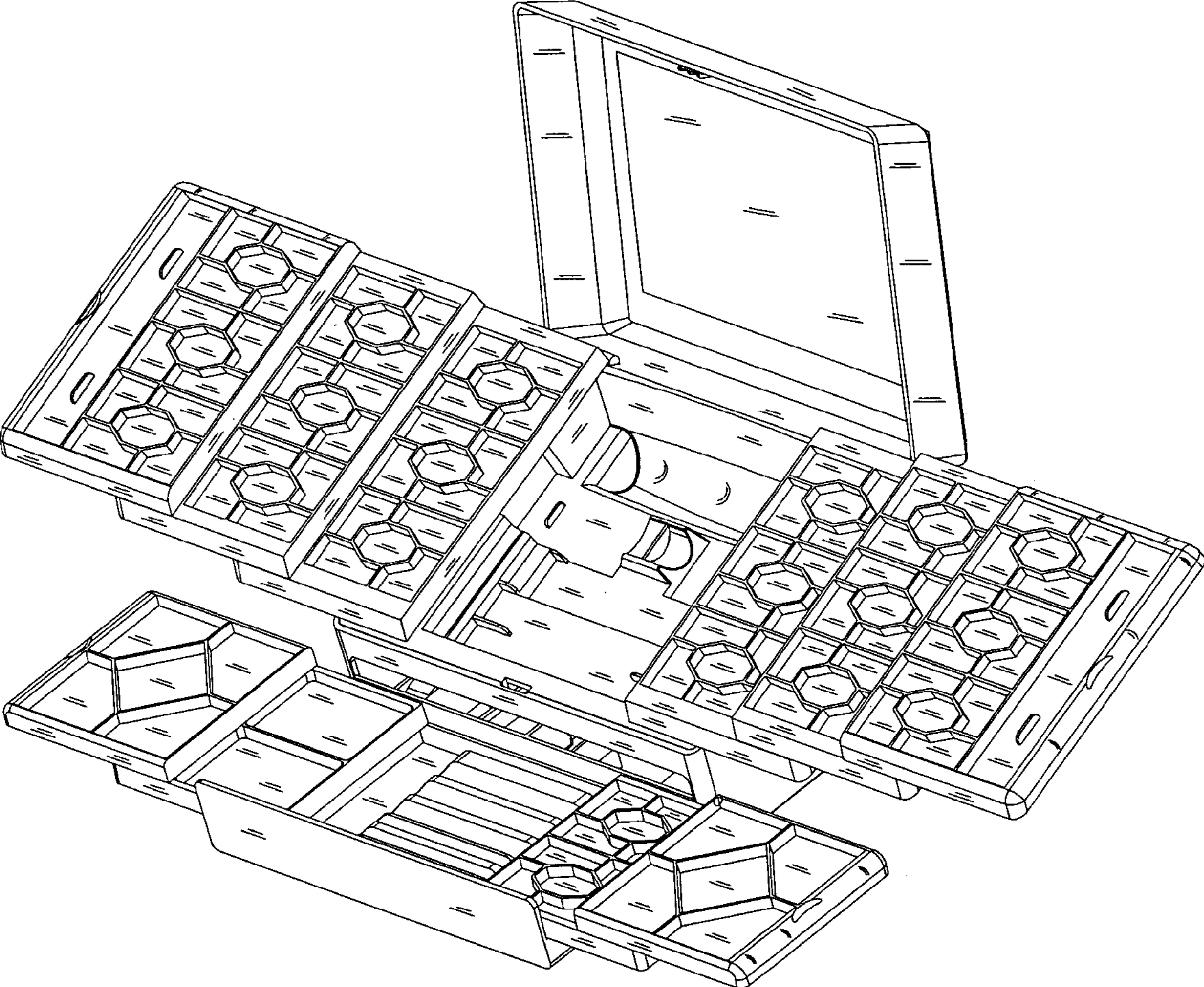


FIG. 16

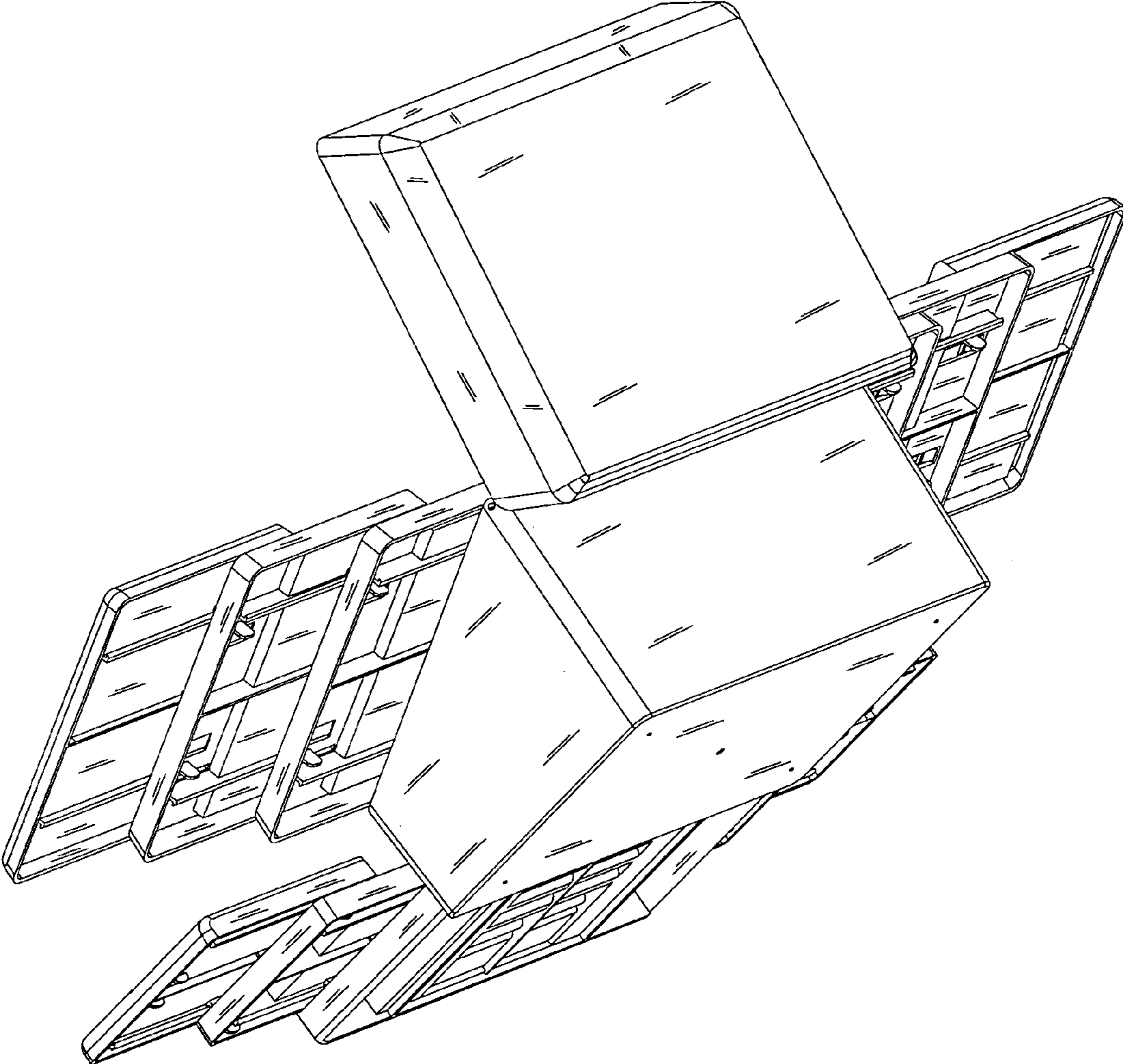


FIG. 17