



US00D618853S

(12) **United States Design Patent**
Christie et al.

(10) **Patent No.:** **US D618,853 S**
(45) **Date of Patent:** **** Jun. 29, 2010**

(54) **RAZOR HANDLE**

(75) Inventors: **Vanessa Christie**, Boston, MA (US);
Christopher Ramm, North Attleboro,
MA (US)

(73) Assignee: **The Gillette Company**, Boston, MA
(US)

(**) Term: **14 Years**

(21) Appl. No.: **29/356,520**

(22) Filed: **Feb. 26, 2010**

Related U.S. Application Data

(62) Division of application No. 29/337,045, filed on May
14, 2009, now Pat. No. Des. 614,353.

(51) **LOC (9) Cl.** **28-03**

(52) **U.S. Cl.** **D28/47**

(58) **Field of Classification Search** 30/32,
30/34.05, 34.1-34.2, 41, 44-46, 47-51, 57-58,
30/77-84, 526-536, 537; D28/44-49
See application file for complete search history.

(56) **References Cited**

U.S. PATENT DOCUMENTS

4,212,103	A *	7/1980	Schuman-Hoole	30/32
D318,142	S	7/1991	Falchi		
D364,940	S	12/1995	Shurtleff		
D425,250	S	5/2000	Gray		
D491,690	S	6/2004	Yamashita		
D495,828	S	9/2004	Ham et al.		
D532,929	S	11/2006	Weltmann		
D533,964	S	12/2006	Ham		
D563,047	S	2/2008	Ramm et al.		
D587,403	S	2/2009	Wonderley		

D589,210	S	3/2009	Wonderley et al.		
D603,558	S *	11/2009	Micinilio	D28/48
D603,560	S	11/2009	Micinilio		
D604,012	S	11/2009	Jung		
D604,456	S *	11/2009	Jung	D28/46
2005/0034307	A1 *	2/2005	Brzezinski	30/34.05
2005/0172493	A1 *	8/2005	Fischer et al.	30/45
2007/0084058	A1 *	4/2007	Szczepanowski et al.	..	30/34.05
2008/0216329	A1 *	9/2008	Leventhal	30/527
2009/0255124	A1 *	10/2009	Hasbani	30/50

* cited by examiner

Primary Examiner—Jennifer Rivard

(74) *Attorney, Agent, or Firm*—Joanne N. Pappas; Kevin C.
Johnson; Steven W. Miller

(57) **CLAIM**

The ornamental design for a razor handle, as shown and
described.

DESCRIPTION

FIG. 1 is a perspective view as seen from the front side of a
section of a razor handle having an end portion in accordance
with the present invention;

FIG. 2 is a front view of the razor handle of FIG. 1;

FIG. 3 is a back view of the razor handle of FIG. 1;

FIG. 4 is a left side view of the razor handle of FIG. 1;

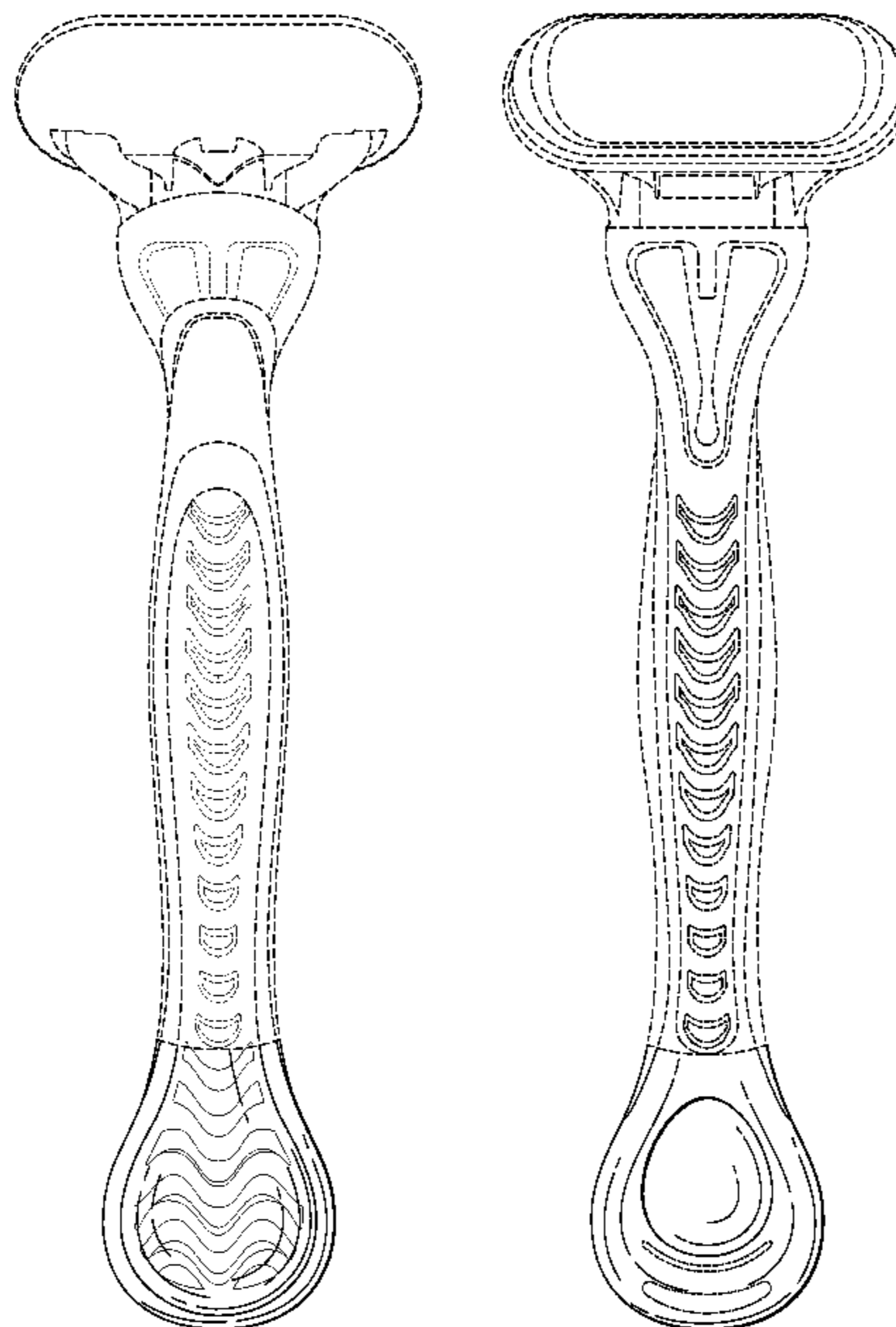
FIG. 5 is a right side view of the razor handle of FIG. 1;

FIG. 6 is a top view of the razor handle of FIG. 1; and,

FIG. 7 is a bottom view of the razor handle of FIG. 1.

The broken lines connecting the outer solid lines of the of the
razor handle represent the bounds of the claim. The remaining
broken lines illustrate portions of the article. None of the
broken lines forms part of the claimed design.

1 Claim, 4 Drawing Sheets



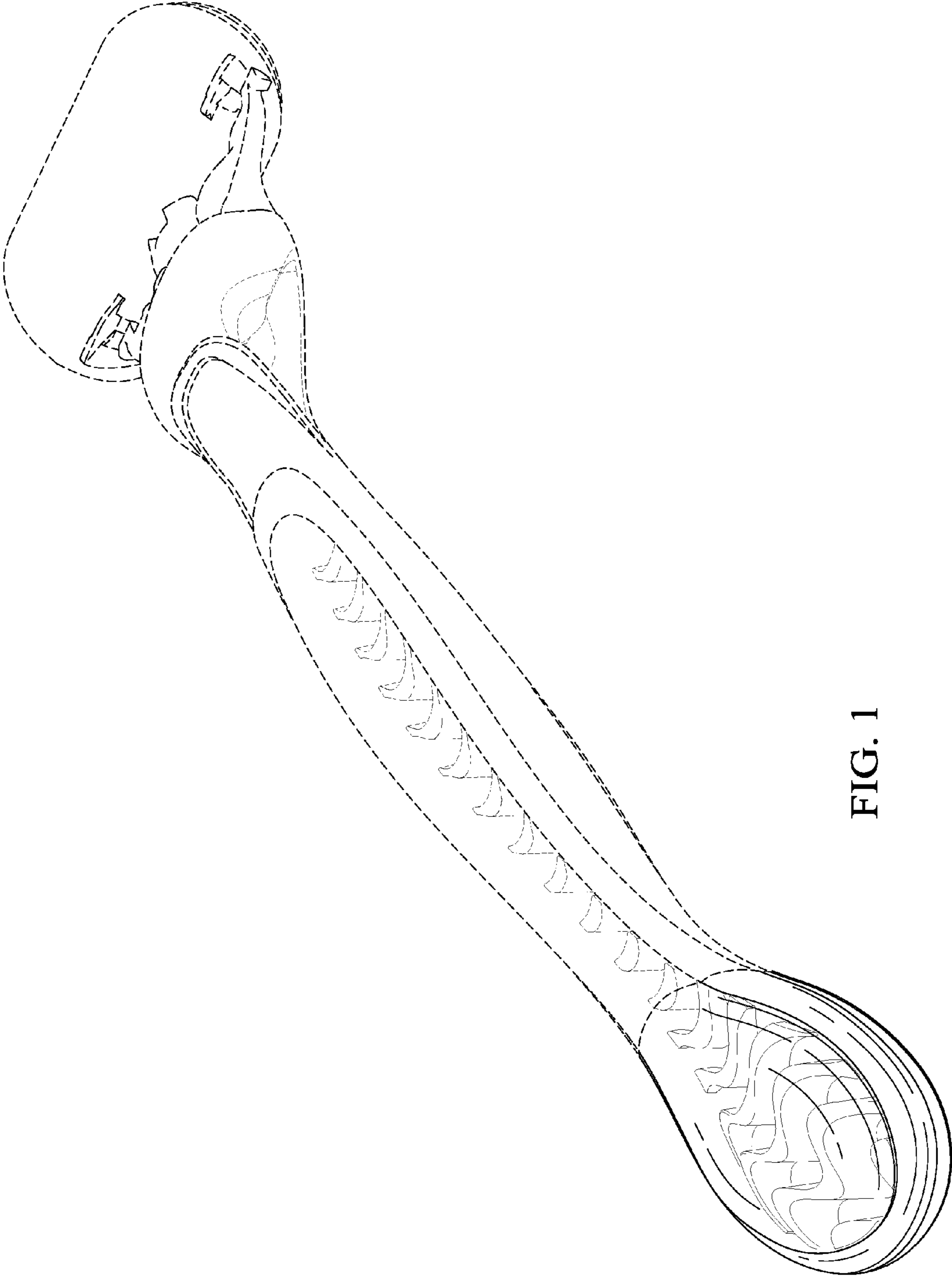


FIG. 1

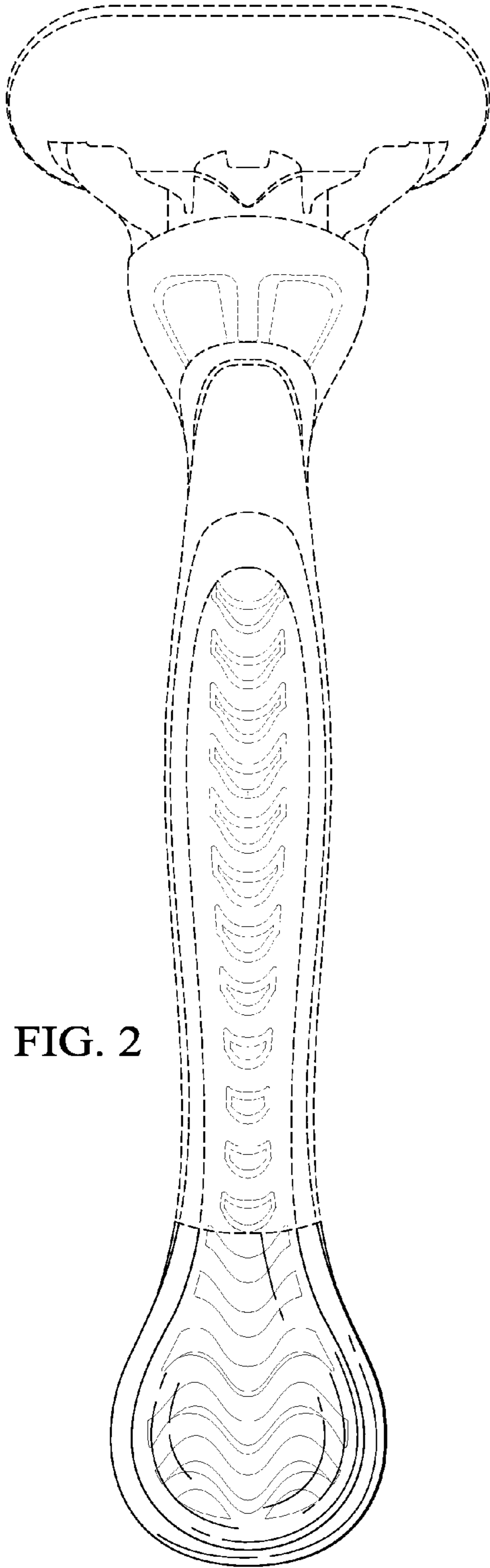


FIG. 2

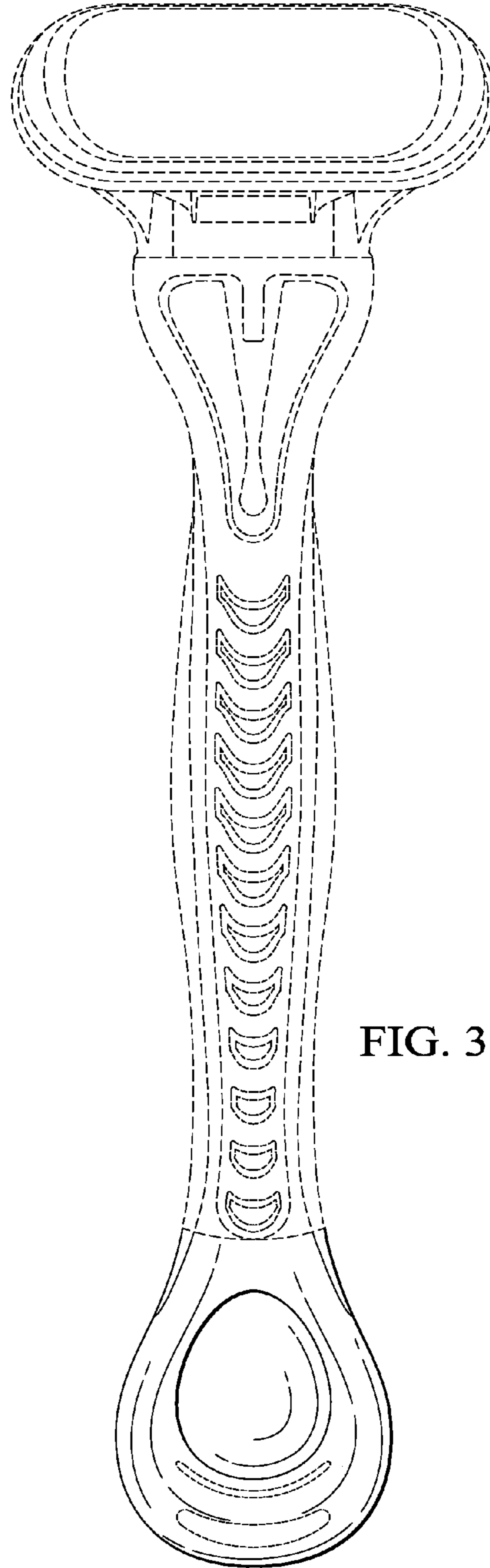


FIG. 3

FIG. 4



FIG. 5



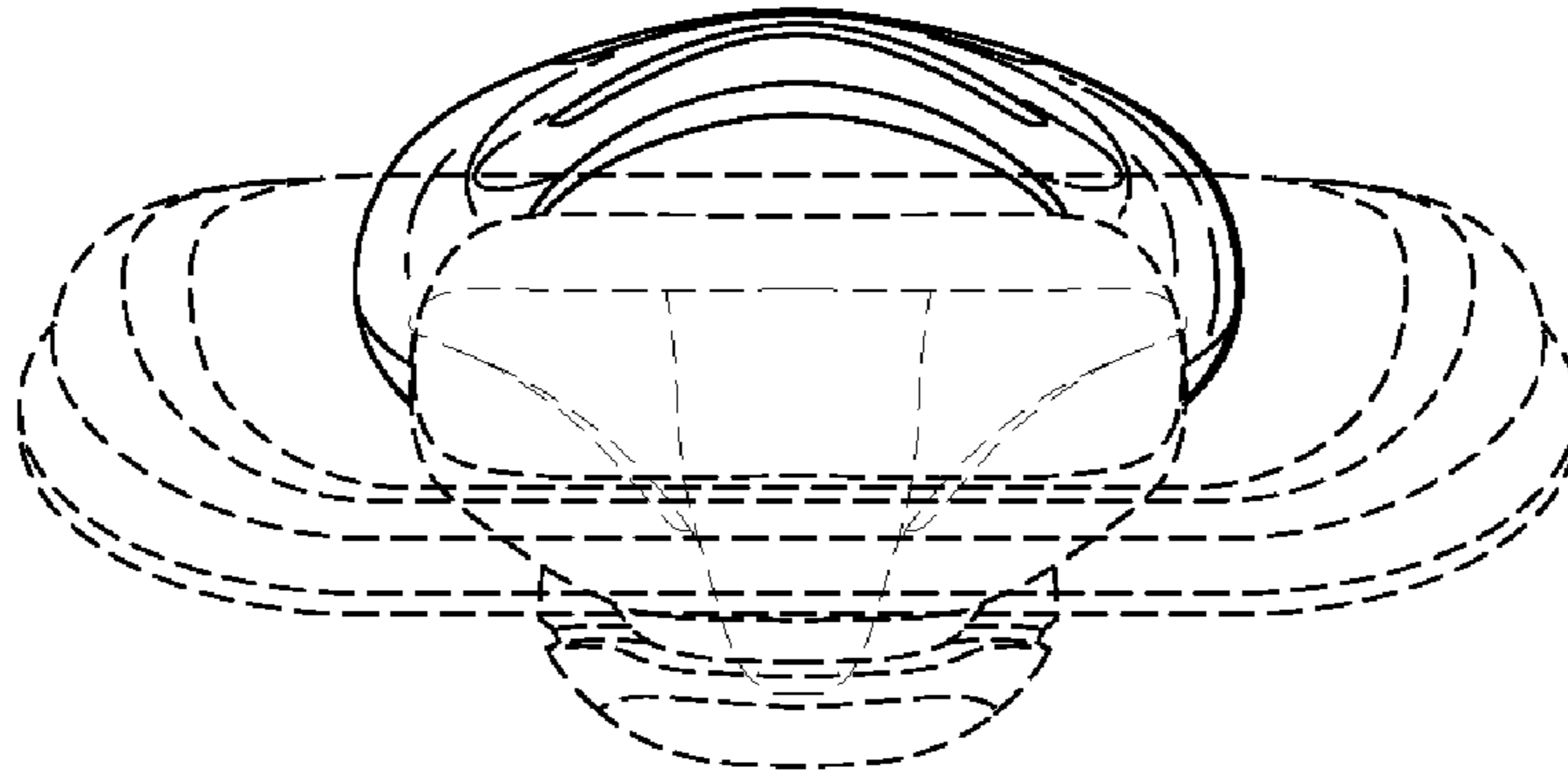


FIG. 6

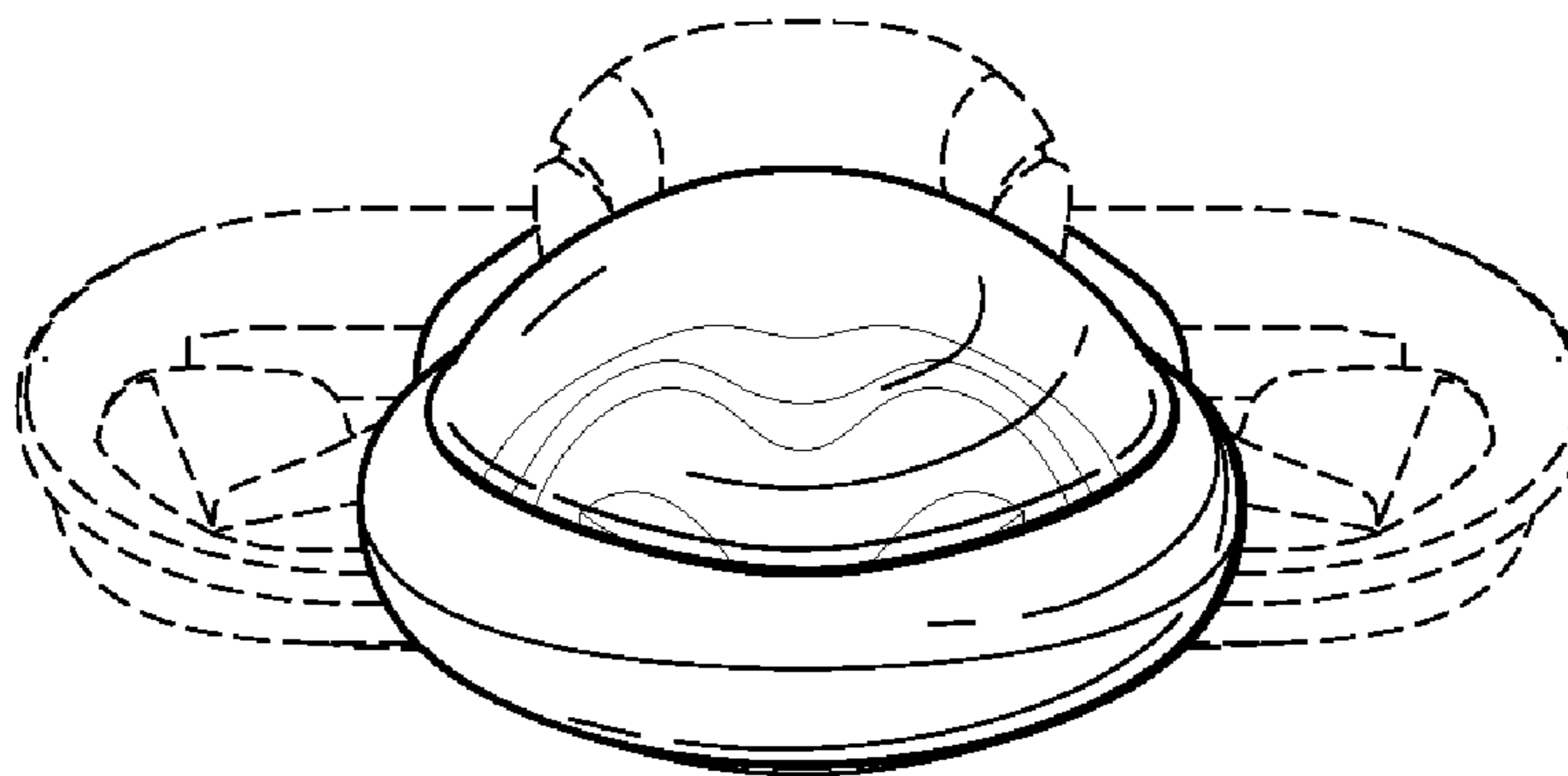


FIG. 7