



US00D618852S

(12) **United States Design Patent**  
**Christie et al.**

(10) **Patent No.:** **US D618,852 S**  
(45) **Date of Patent:** **\*\* Jun. 29, 2010**

(54) **RAZOR HANDLE**

(75) Inventors: **Vanessa Christie**, Boston, MA (US);  
**Christopher Ramm**, North Attleboro,  
MA (US)

(73) Assignee: **The Gillette Company**, Boston, MA  
(US)

(\*\*) Term: **14 Years**

(21) Appl. No.: **29/356,519**

(22) Filed: **Feb. 26, 2010**

**Related U.S. Application Data**

(62) Division of application No. 29/337,045, filed on May  
14, 2009, now Pat. No. Des. 614,353.

(51) **LOC (9) Cl.** ..... **28-03**

(52) **U.S. Cl.** ..... **D28/47**

(58) **Field of Classification Search** ..... 30/32,  
30/34.05, 34.1–34.2, 41, 44–46, 47–51, 57–58,  
30/77–84, 526–536, 537; D28/44–49  
See application file for complete search history.

(56) **References Cited**

**U.S. PATENT DOCUMENTS**

4,212,103	A *	7/1980	Schuman-Hoole	.....	30/32
D318,142	S	7/1991	Falchi		
D364,940	S	12/1995	Shurtleff		
D425,250	S	5/2000	Gray		
D491,690	S	6/2004	Yamashita		
D495,828	S	9/2004	Ham et al.		
D532,929	S	11/2006	Weltmann		
D533,964	S	12/2006	Ham		
D563,047	S	2/2008	Ramm et al.		
D587,403	S	2/2009	Wonderley		

D589,210	S	3/2009	Wonderley et al.		
D603,558	S *	11/2009	Micinilio	.....	D28/48
D603,560	S	11/2009	Micinilio		
D604,012	S	11/2009	Jung		
D604,456	S *	11/2009	Jung	.....	D28/46
2005/0034307	A1 *	2/2005	Brzezinski	.....	30/34.05
2005/0172493	A1 *	8/2005	Fischer et al.	.....	30/45
2007/0084058	A1 *	4/2007	Szczepanowski et al.	..	30/34.05
2008/0216329	A1 *	9/2008	Leventhal	.....	30/527
2009/0255124	A1 *	10/2009	Hasbani	.....	30/50

\* cited by examiner

*Primary Examiner*—Jennifer Rivard

(74) *Attorney, Agent, or Firm*—Joanne N. Pappas; Kevin C.  
Johnson; Steven W. Miller

(57) **CLAIM**

The ornamental design for a razor handle, as shown and  
described.

**DESCRIPTION**

FIG. 1 is a perspective view as seen from the back side of a  
section of a razor handle having a plurality of hollowed  
regions in accordance with the present invention;

FIG. 2 is a front view of the razor handle of FIG. 1;

FIG. 3 is a back view of the razor handle of FIG. 1;

FIG. 4 is a left side view of the razor handle of FIG. 1;

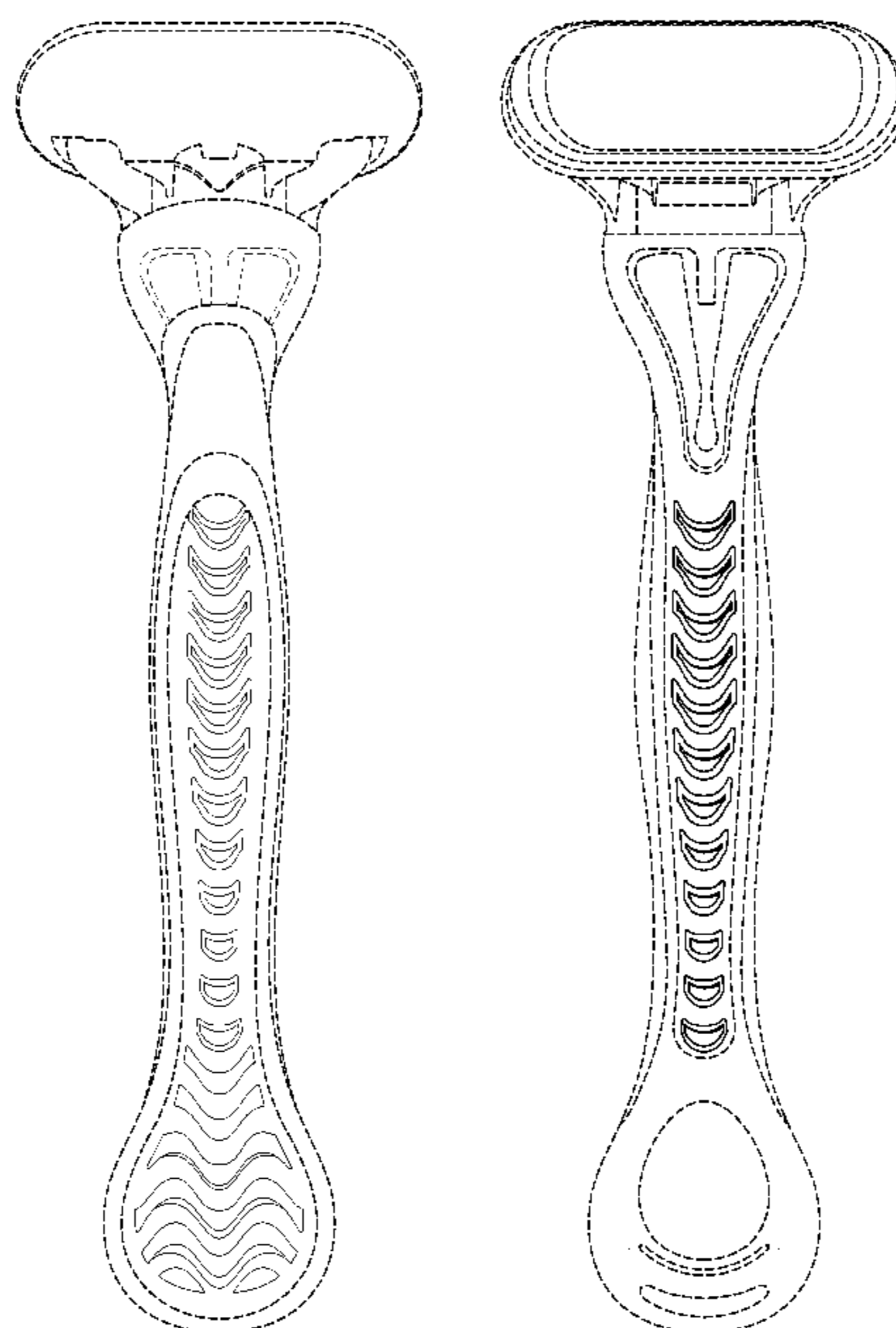
FIG. 5 is a right side view of the razor handle of FIG. 1;

FIG. 6 is a top view of the razor handle of FIG. 1; and,

FIG. 7 is a bottom view of the razor handle of FIG. 1.

The broken line disclosure of the razor handle is for illustra-  
tive purposes only and does not constitute a part of the  
claimed design.

**1 Claim, 4 Drawing Sheets**



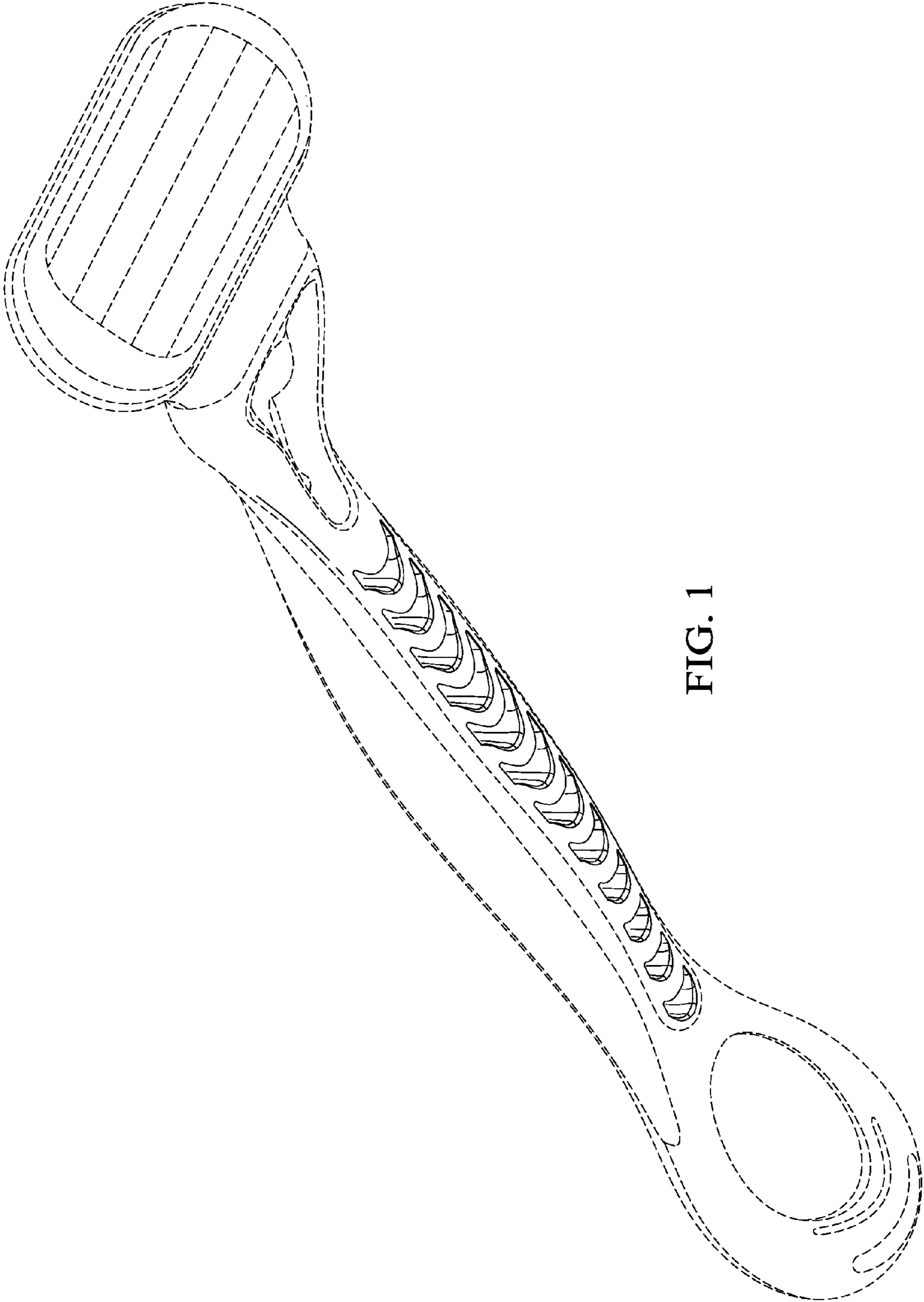


FIG. 1

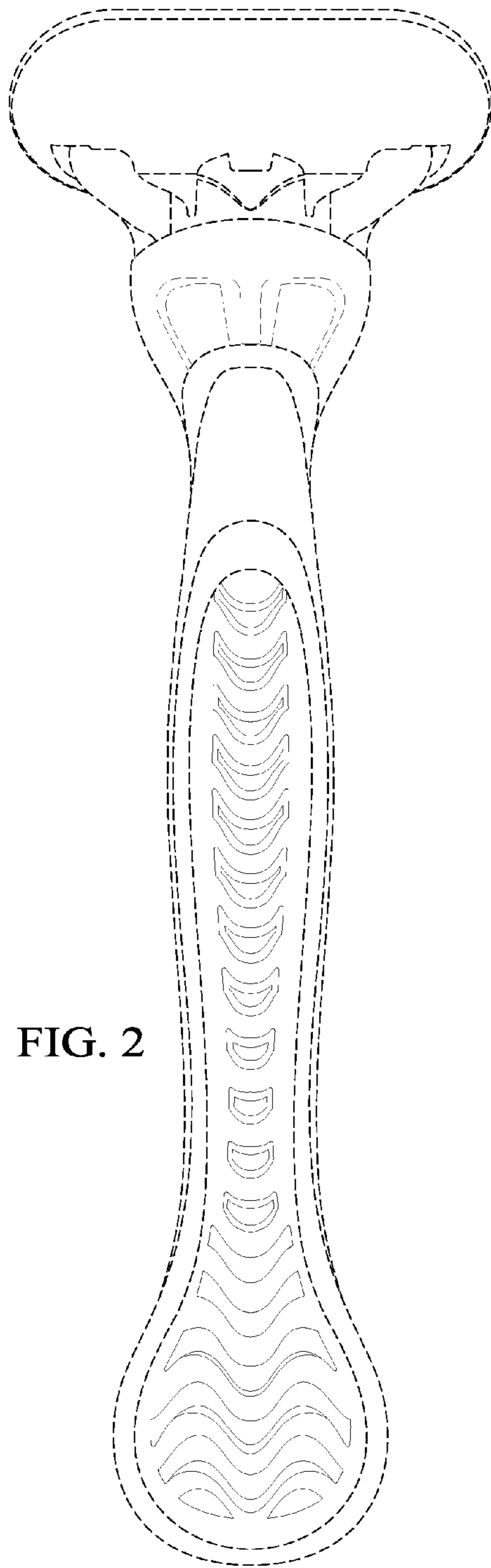


FIG. 2

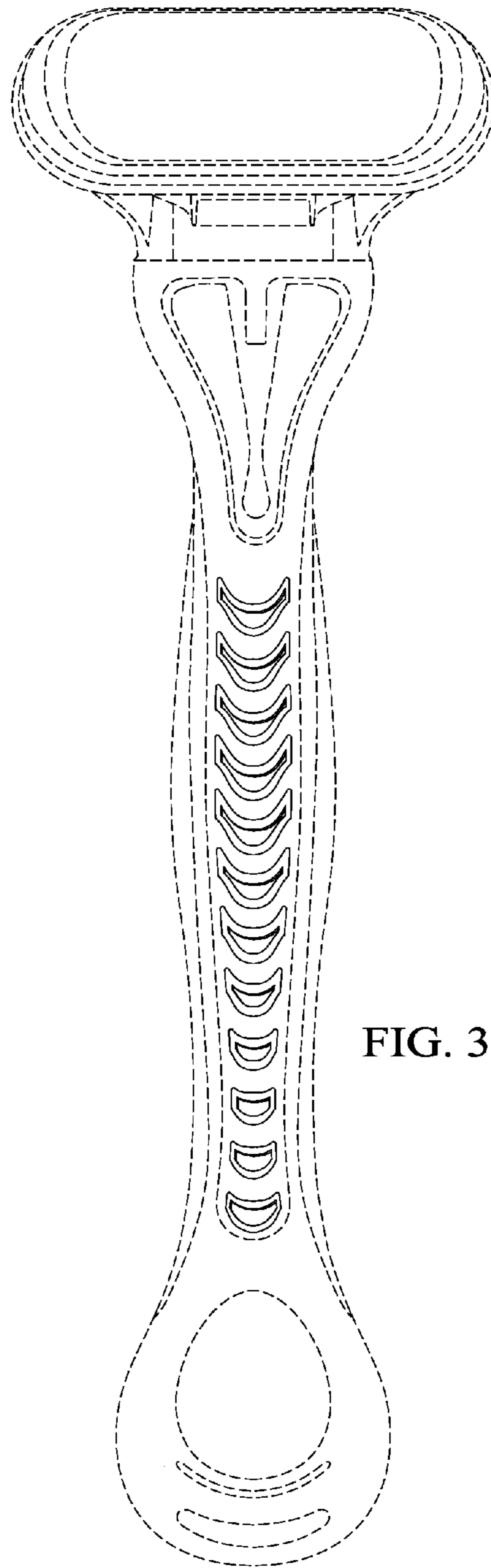


FIG. 3

FIG. 4

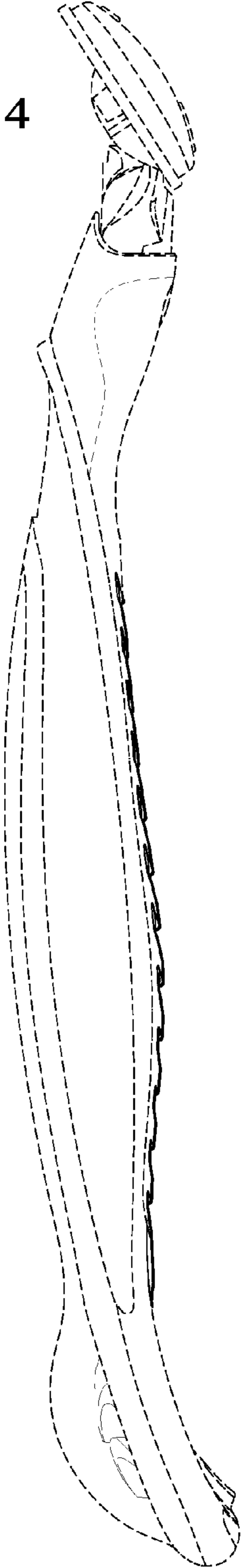


FIG. 5



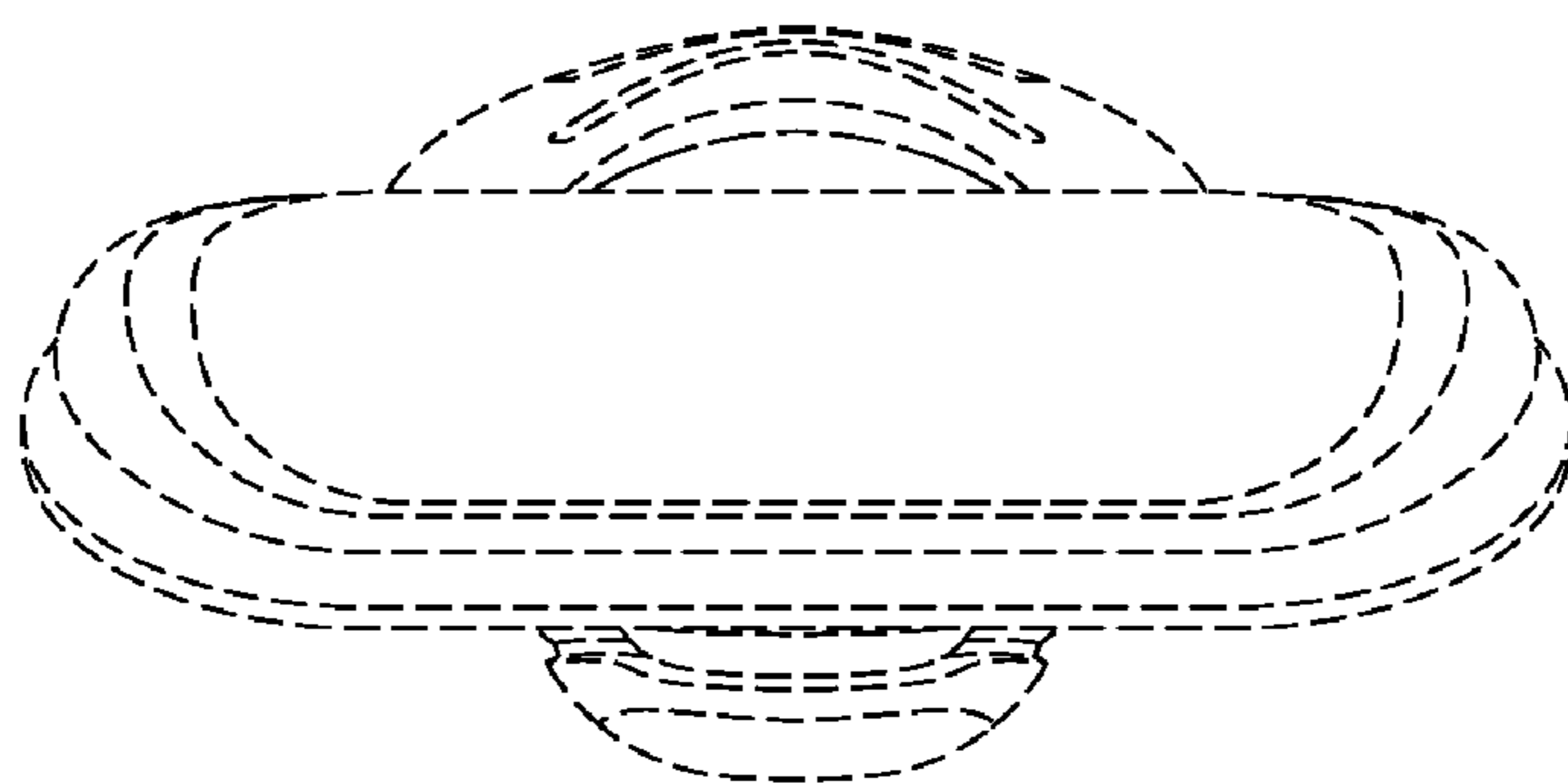


FIG. 6

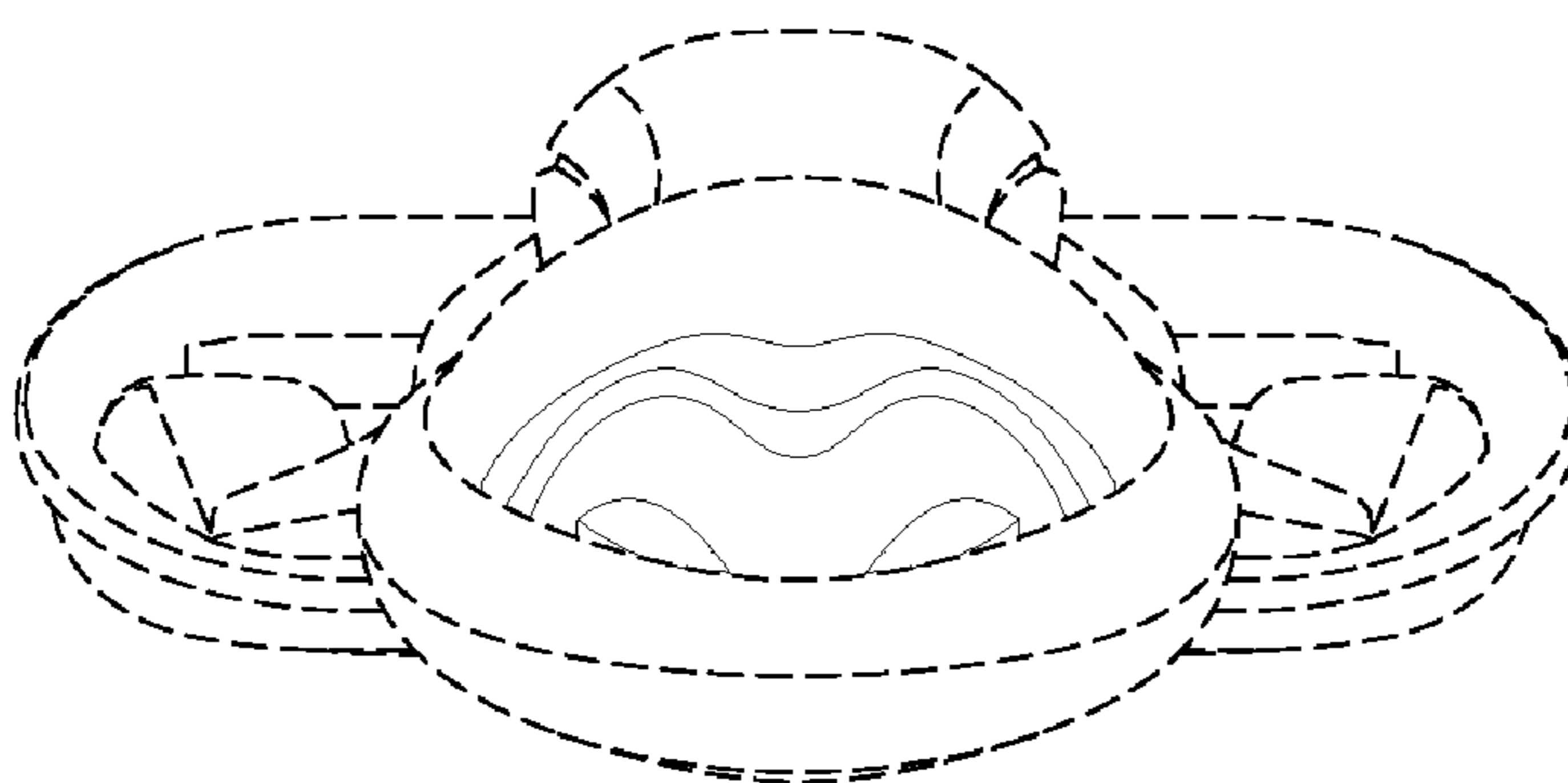


FIG. 7