



US00D618850S

(12) **United States Design Patent**
Snagel

(10) **Patent No.:** **US D618,850 S**
(45) **Date of Patent:** **** Jun. 29, 2010**

(54) **LED TRACK MODULE WITH
RECTANGULAR APERTURE**
(75) Inventor: **Paul G. Snagel**, Chicago, IL (US)
(73) Assignee: **Juno Manufacturing, LLC**, Des
Plaines, IL (US)

D409,576 S * 5/1999 Wood et al. D13/154
6,019,494 A * 2/2000 Lee 362/249.01
D459,514 S * 6/2002 Mier-Langner et al. D26/63
D472,999 S * 4/2003 Layne et al. D26/61
6,758,685 B1 * 7/2004 Huang et al. 439/79
D524,744 S * 7/2006 Lai D13/147
D579,144 S 10/2008 Wnek et al.
2003/0021111 A1 * 1/2003 Miller et al. 362/226
2003/0223234 A1 * 12/2003 Tang 362/226

(**) Term: **14 Years**

* cited by examiner

(21) Appl. No.: **29/339,775**

Primary Examiner—Cathron C Brooks
Assistant Examiner—Kevin K Rudzinski

(22) Filed: **Jul. 7, 2009**

(51) **LOC (9) Cl.** **26-99**

(57) **CLAIM**

(52) **U.S. Cl.** **D26/138**

(58) **Field of Classification Search** D26/120,
D26/144, 88, 71, 152, 124, 113, 118, 128,
D26/135, 121, 25, 27, 72, 78, 132, 137, 74,
D26/77, 80, 85, 86, 90, 119, 122, 123, 125,
D26/127, 129, 130, 83, 28; D16/135, 101;
D10/121; D8/353; D13/156, 180, 133, 110,
D13/147, 134; 362/364, 365, 147, 235, 257,
362/290, 296, 330, 335, 351, 354, 355, 404;
439/552, 121

The ornamental design for a LED track module with rectangular aperture, as shown and described.

See application file for complete search history.

DESCRIPTION

(56) **References Cited**

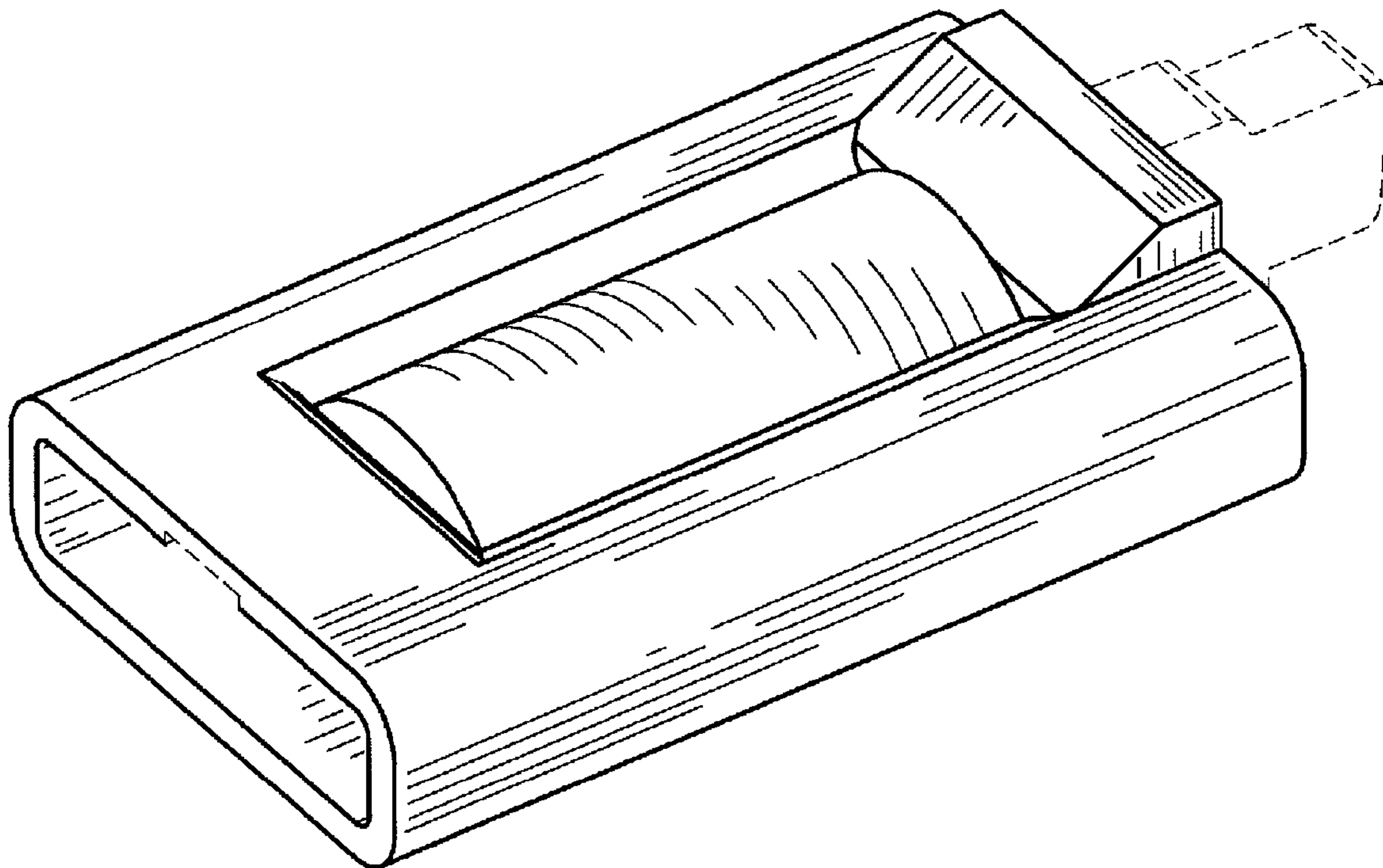
U.S. PATENT DOCUMENTS

D290,524 S * 6/1987 Kusmer D13/110
5,336,100 A * 8/1994 Gabrius et al. 439/115
D362,656 S * 9/1995 Roos et al. D13/134
D383,114 S * 9/1997 Wandler et al. D13/110
D394,241 S * 5/1998 Wachter et al. D13/110

FIG. 1 is a top right perspective view of the LED track module with rectangular aperture showing my new design;
FIG. 2 is a front elevational view;
FIG. 3 is a rear elevational view;
FIG. 4 is a left side elevational view, with the unshown right side elevational view being a mirror image thereof;
FIG. 5 is a top plan view; and,
FIG. 6 is a bottom plan view.

In the drawings the broken line showings depict environmental subject matter and form no parts of the claim.

1 Claim, 2 Drawing Sheets



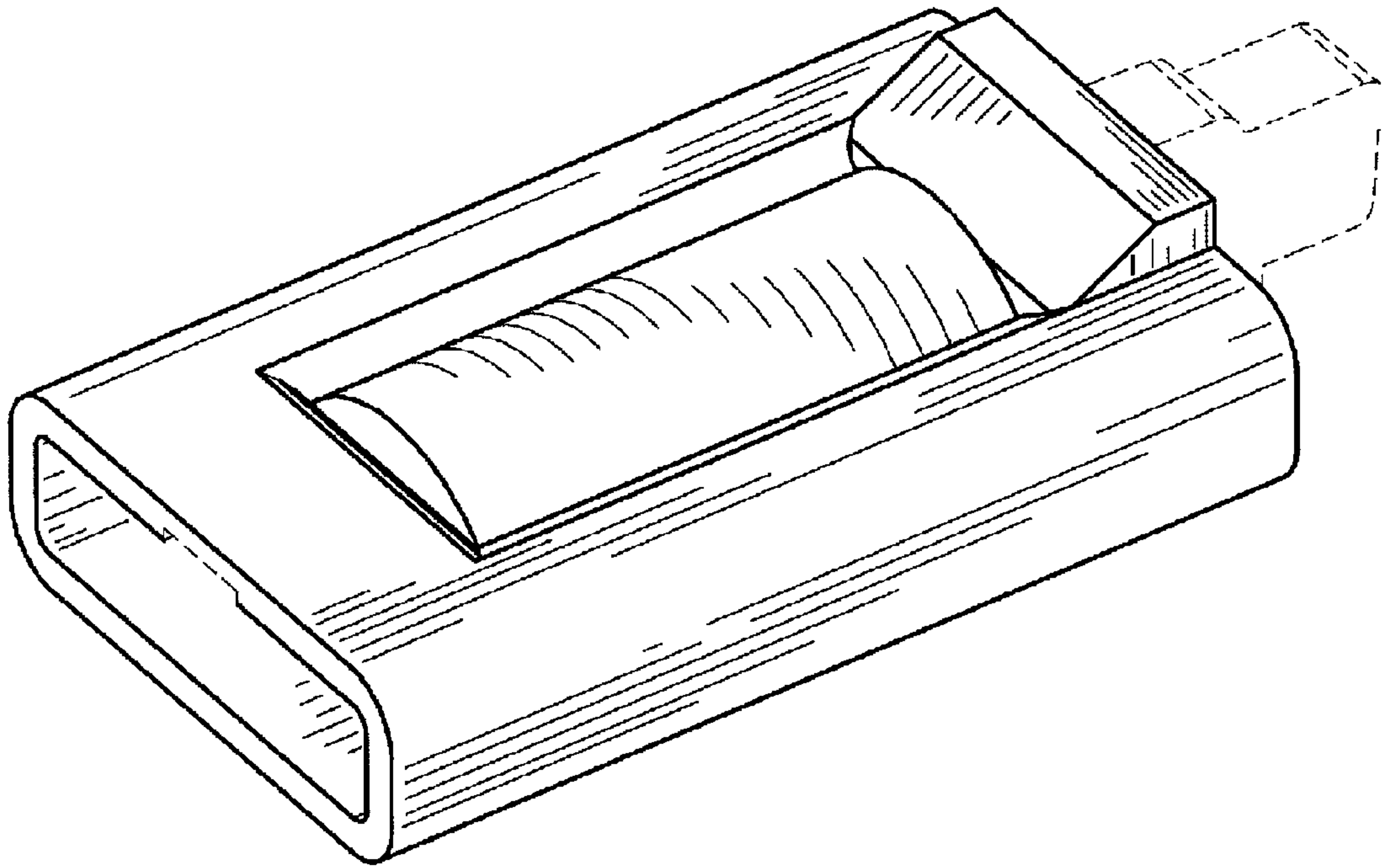


FIG. 1

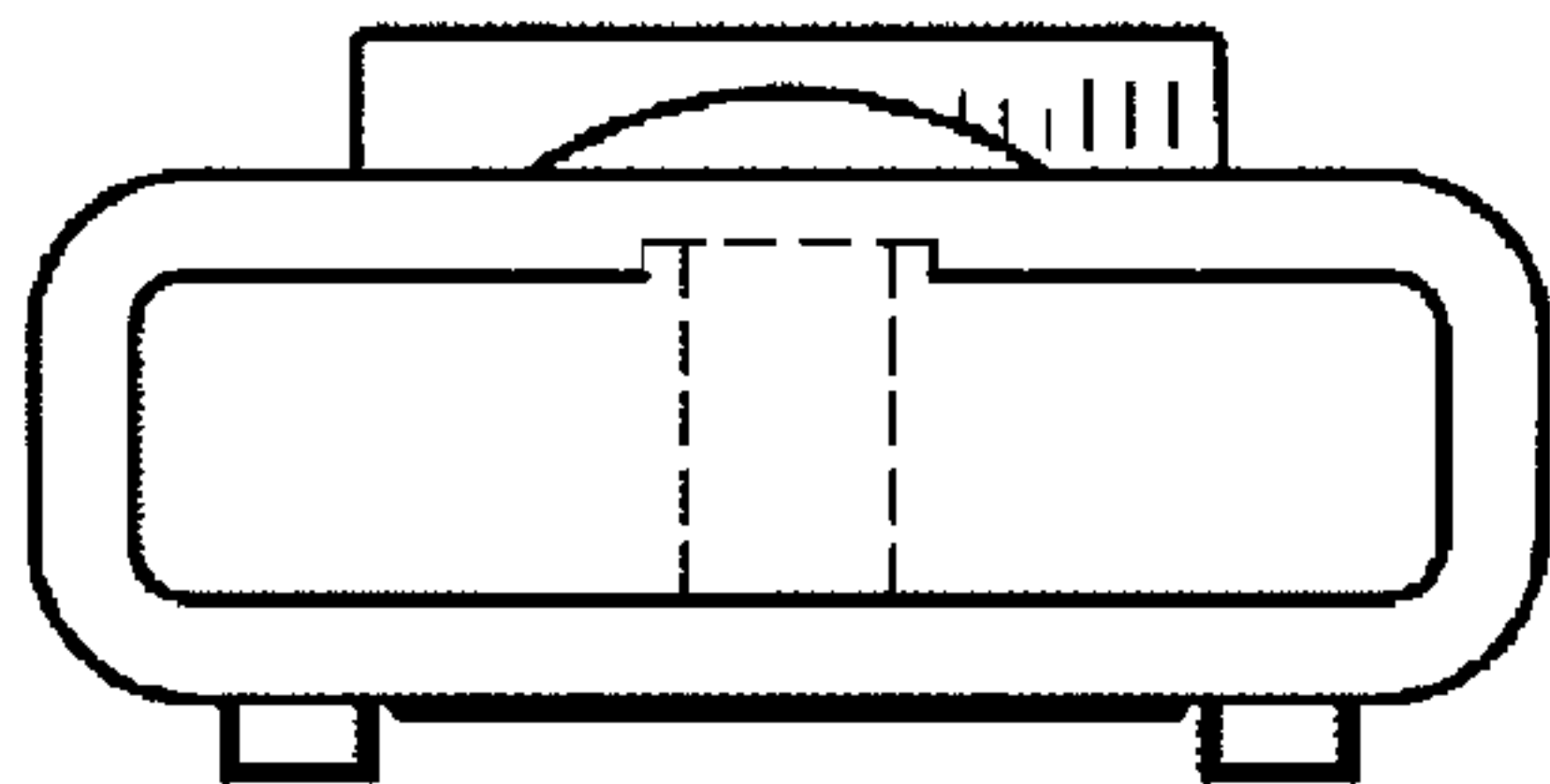


FIG. 2

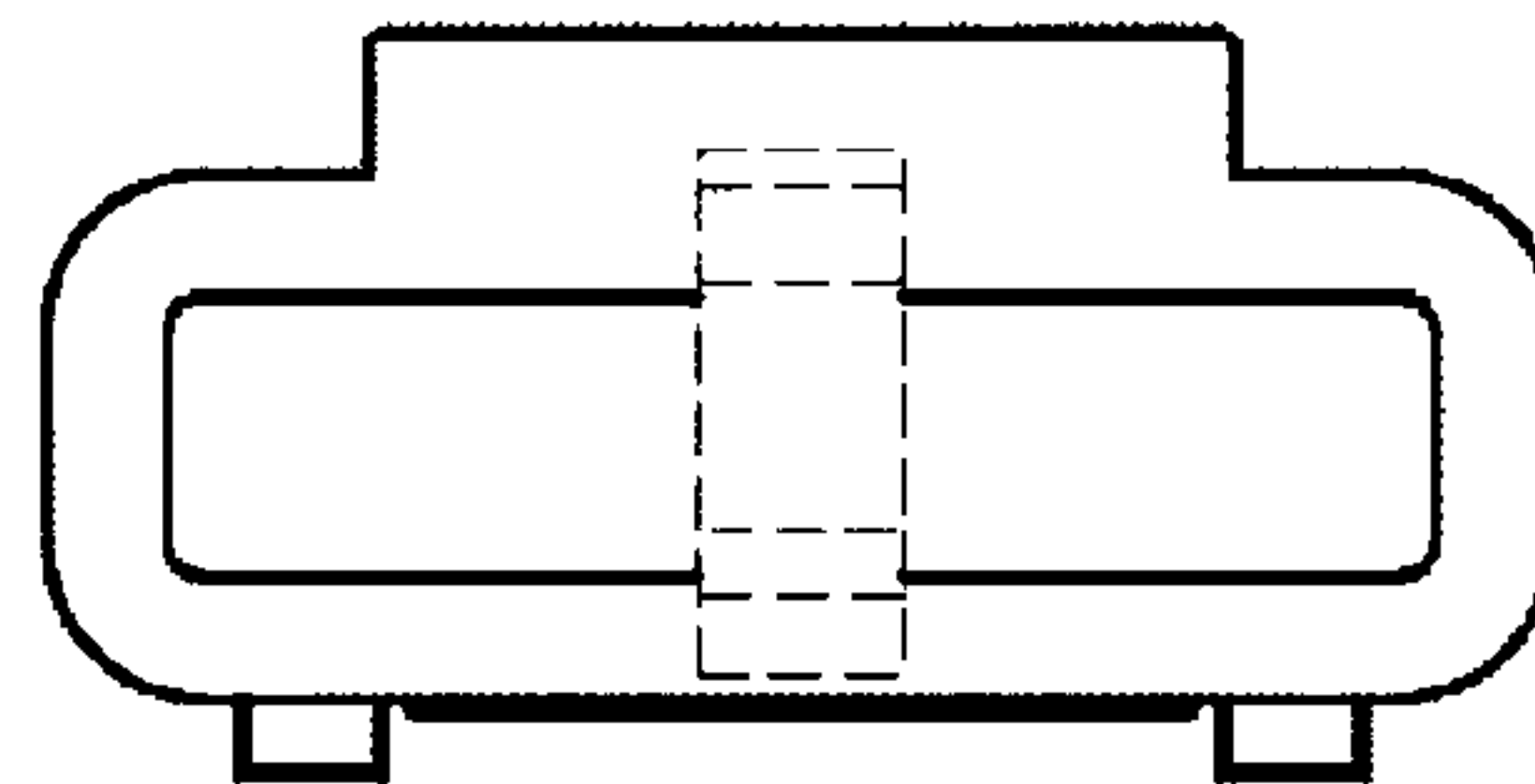


FIG. 3

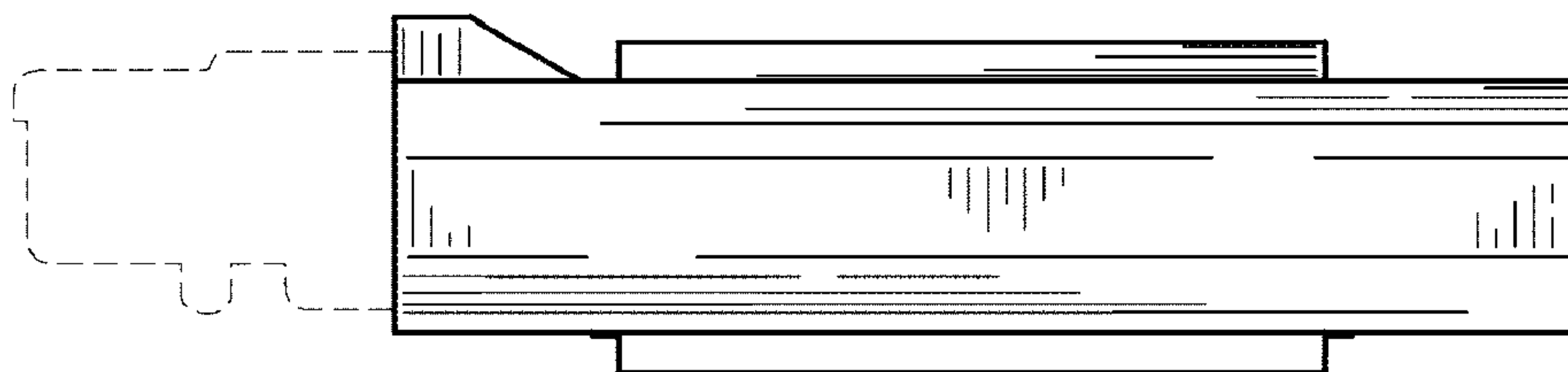


FIG. 4

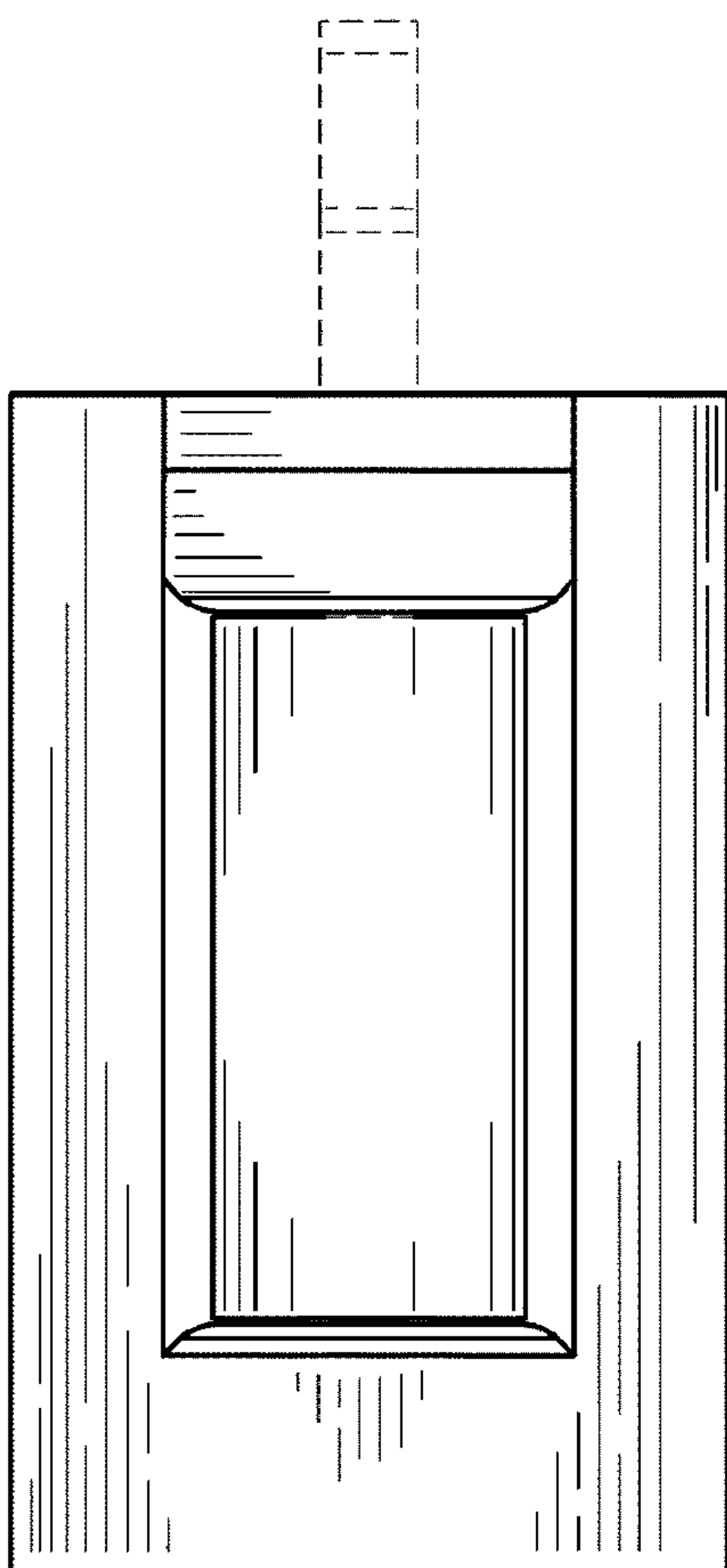


FIG. 5

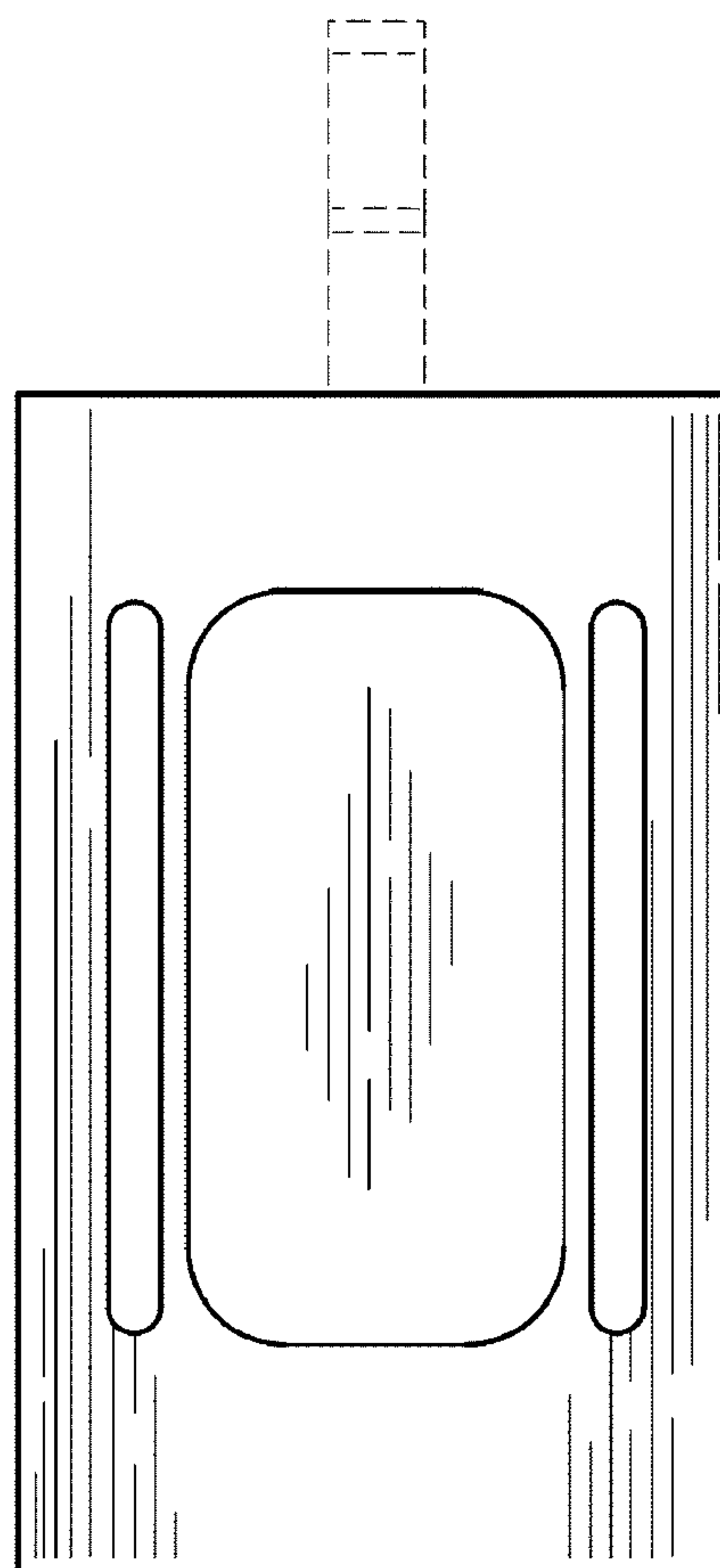


FIG. 6