



US00D618848S

(12) **United States Design Patent**
Campagna

(10) **Patent No.:** **US D618,848 S**

(45) **Date of Patent:** **** Jun. 29, 2010**

(54) **LIGHT FIXTURE**

(75) Inventor: **Cary J. Campagna**, Portage, MI (US)

(73) Assignee: **Command Electronics, Inc.**,
Schoolcraft, MI (US)

(**) Term: **14 Years**

(21) Appl. No.: **29/348,111**

(22) Filed: **Nov. 30, 2009**

(51) **LOC (9) Cl.** **26-99**

(52) **U.S. Cl.** **D26/124**

(58) **Field of Classification Search** D26/120,
D26/144, 88, 71, 152, 124, 113, 118, 128,
D26/135, 121, 25, 27, 72, 78, 132, 137, 74,
D26/77, 80, 85, 86, 90, 119, 112, 123, 125,
D26/127, 129, 130, 83, 28; D16/135, 101;
D10/121; D8/353; D13/156, 180, 133, 110,
D13/147, 134; 362/364, 365, 147, 235, 257,
362/290, 296, 330, 335, 351, 354, 355, 404;
439/552, 121

See application file for complete search history.

(56) **References Cited**

U.S. PATENT DOCUMENTS

D119,822 S *	4/1940	Sheerer	D26/134
D120,022 S *	4/1940	Sheerer	D26/133
2,869,690 A *	1/1959	Winters et al.	362/431
D319,320 S *	8/1991	Wilda	D26/85
D346,874 S *	5/1994	Fiorato	D26/87
D400,278 S *	10/1998	Binsukor	D26/67
D456,926 S *	5/2002	Gaskins et al.	D26/71
D457,677 S *	5/2002	Landefeld et al.	D26/67
D465,868 S *	11/2002	Gaskins et al.	D26/72

6,543,911 B1 *	4/2003	Rizkin et al.	362/307
D482,481 S *	11/2003	Landefeld	D26/71
D485,002 S *	1/2004	Lin	D26/85
D521,162 S *	5/2006	Campagna	D26/28
D554,284 S *	10/2007	Richmond	D26/152
D568,521 S *	5/2008	Compton	D26/71
D570,532 S *	6/2008	Camarota	D26/120
D577,847 S *	9/2008	Ruud et al.	D26/71
D585,580 S *	1/2009	Riffel et al.	D26/72
D599,935 S *	9/2009	van Klinken	D26/67
7,602,057 B2 *	10/2009	Curran et al.	257/686
D605,807 S *	12/2009	Chen	D26/67

* cited by examiner

Primary Examiner—Cathron C Brooks

Assistant Examiner—Kevin K Rudzinski

(74) *Attorney, Agent, or Firm*—Flynn, Thiel, Boutell & Tanis,
P.C.

(57) **CLAIM**

The ornamental design for a light fixture, as shown and described.

DESCRIPTION

FIG. 1 is a top and front isometric view of my new light fixture;

FIG. 2 is a top view thereof;

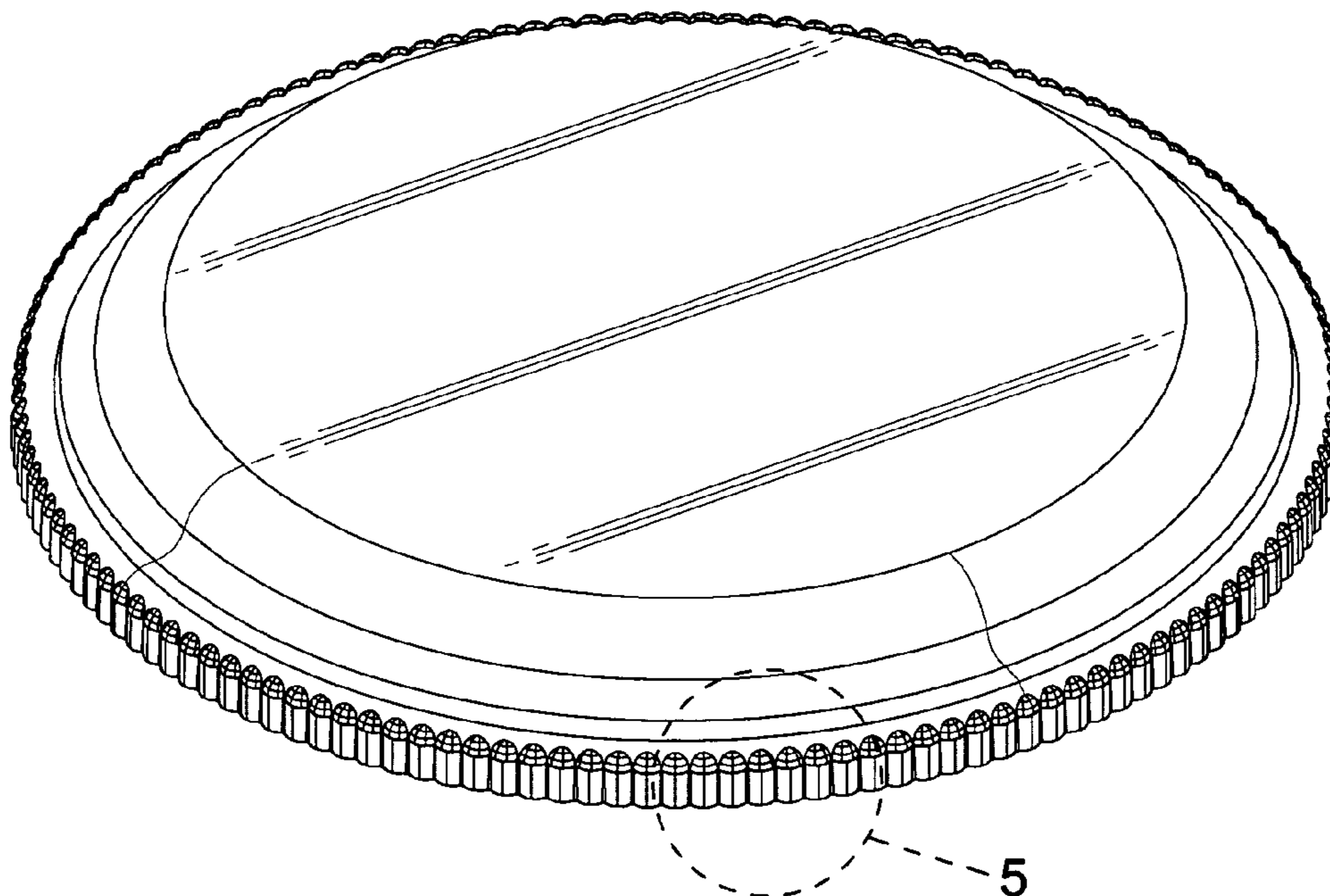
FIG. 3 is an edge view thereof;

FIG. 4 is a bottom view thereof;

FIG. 5 is an enlarged fragmentary isometric view of the encircled part of FIG. 1 and, particularly, of the rounded serration feature at the periphery of the lens; and,

FIG. 6 is a front and bottom isometric view thereof.

1 Claim, 6 Drawing Sheets



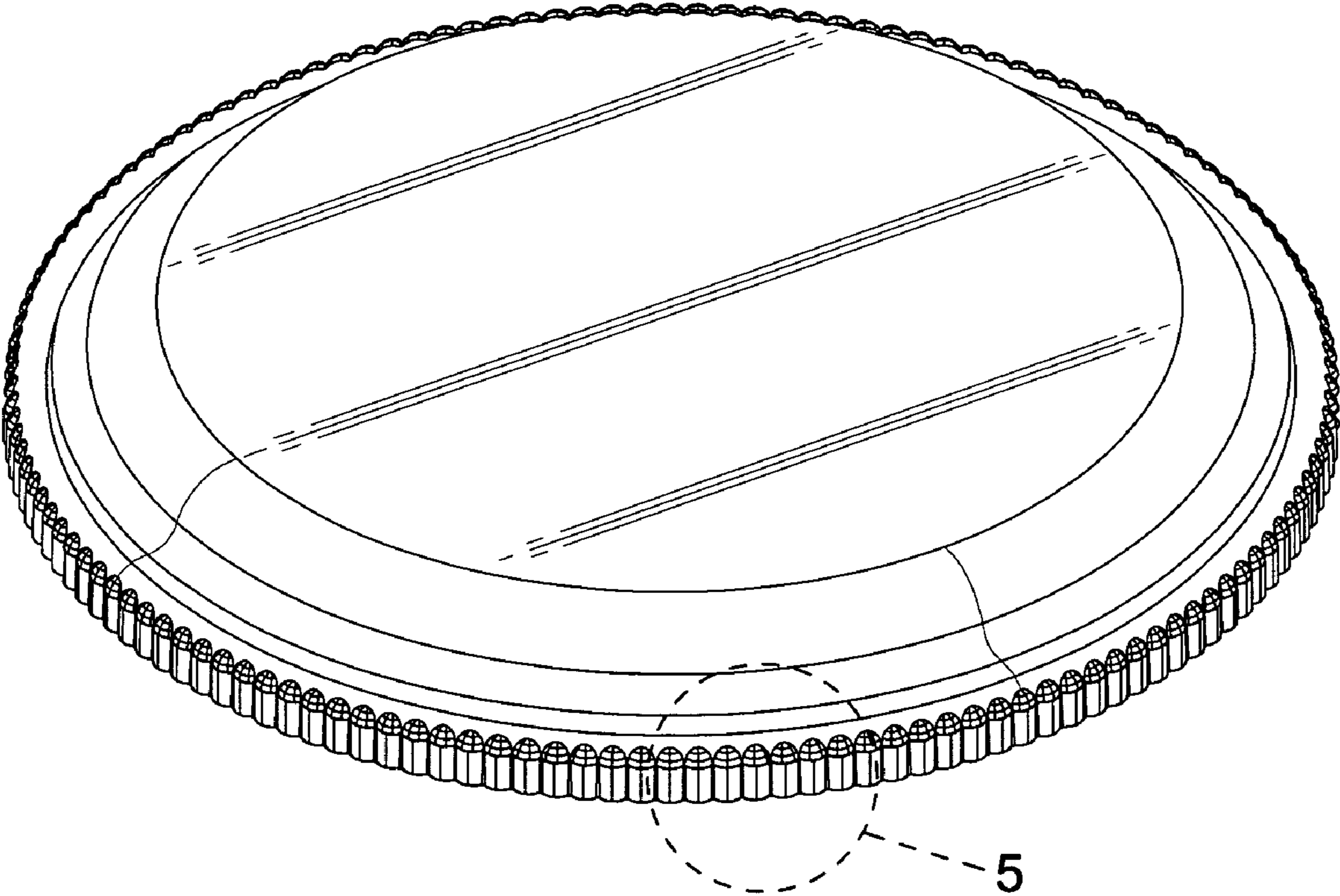


FIG. 1

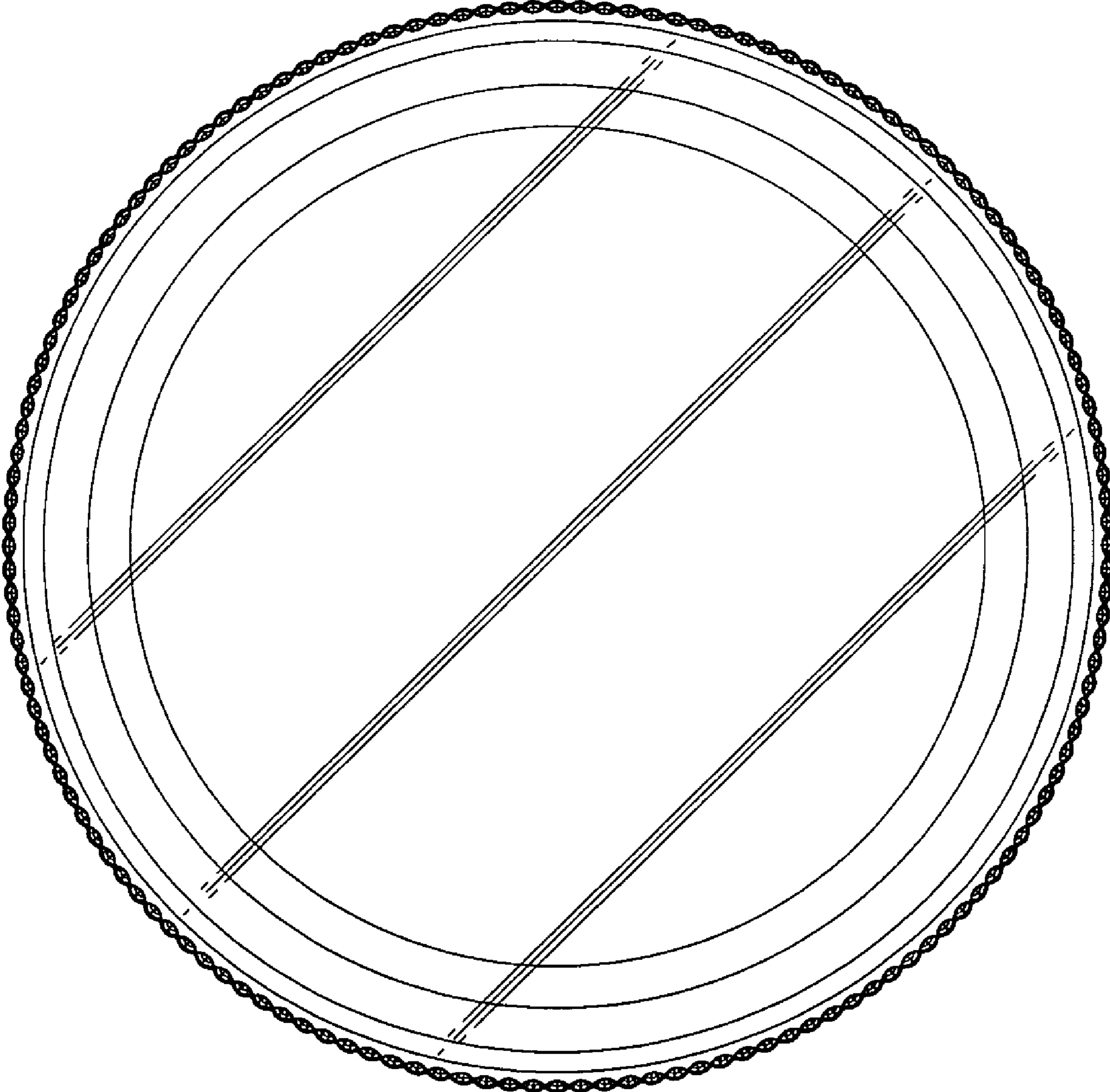


FIG. 2

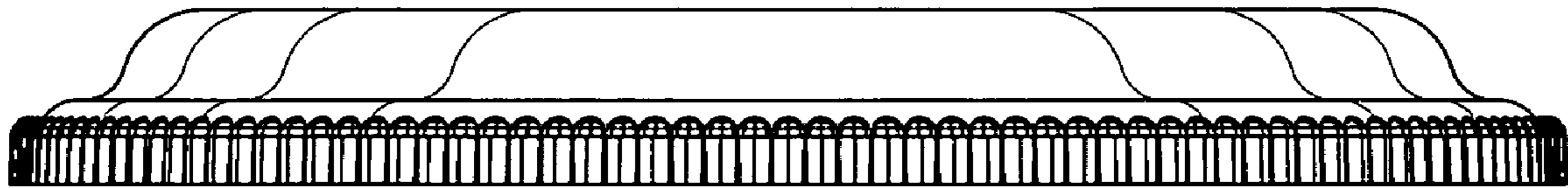


FIG. 3

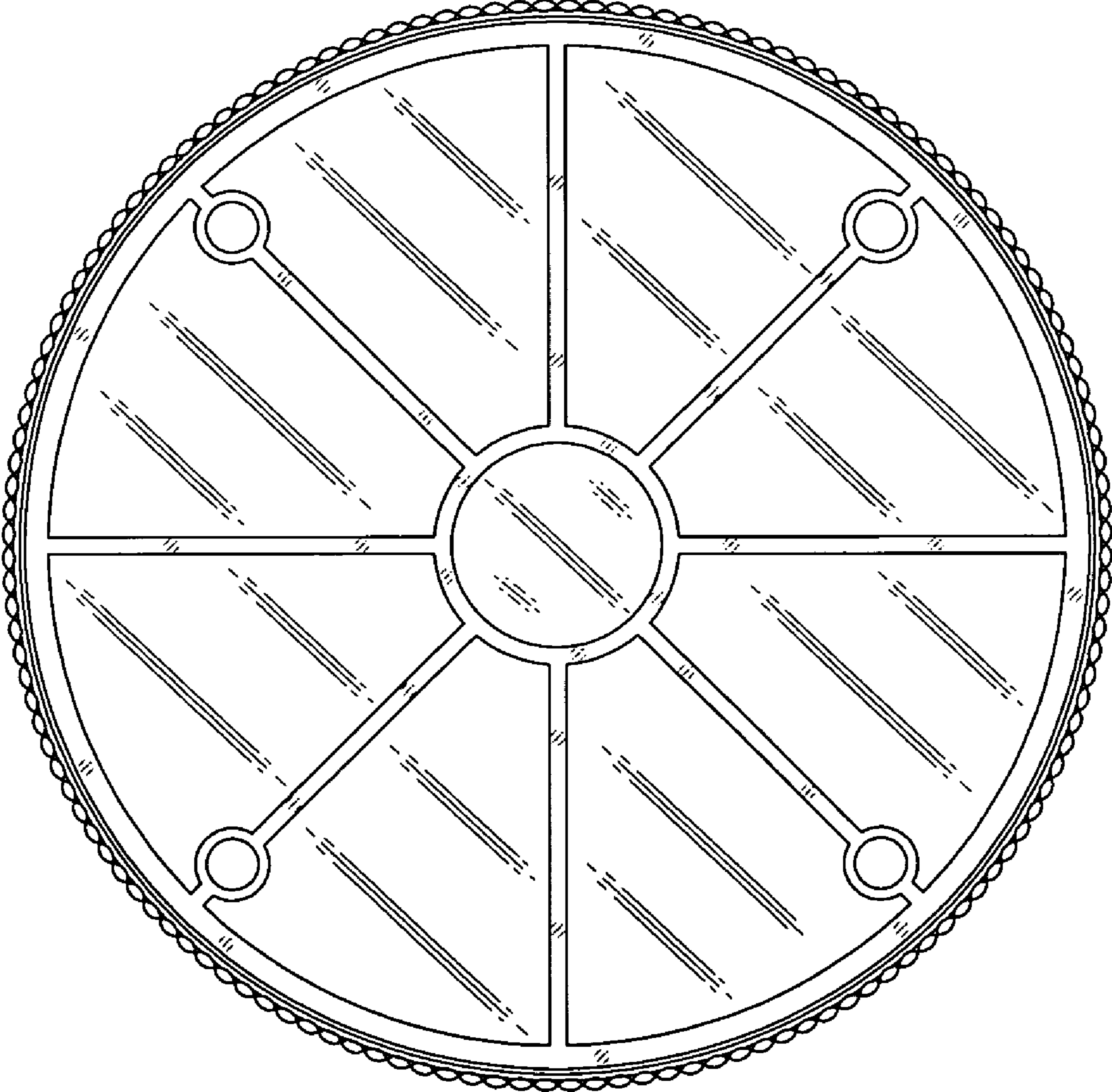


FIG. 4

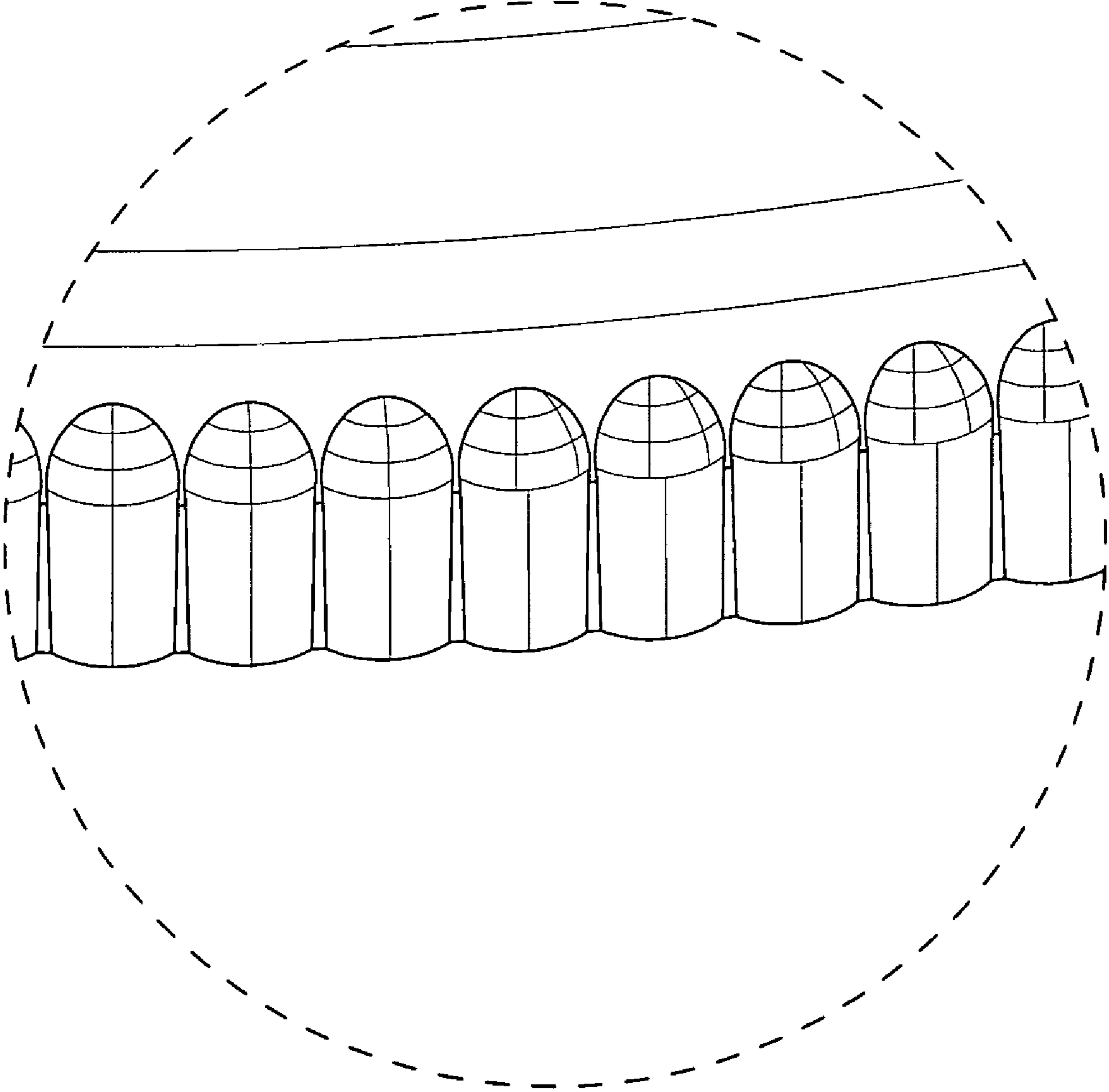


FIG. 5

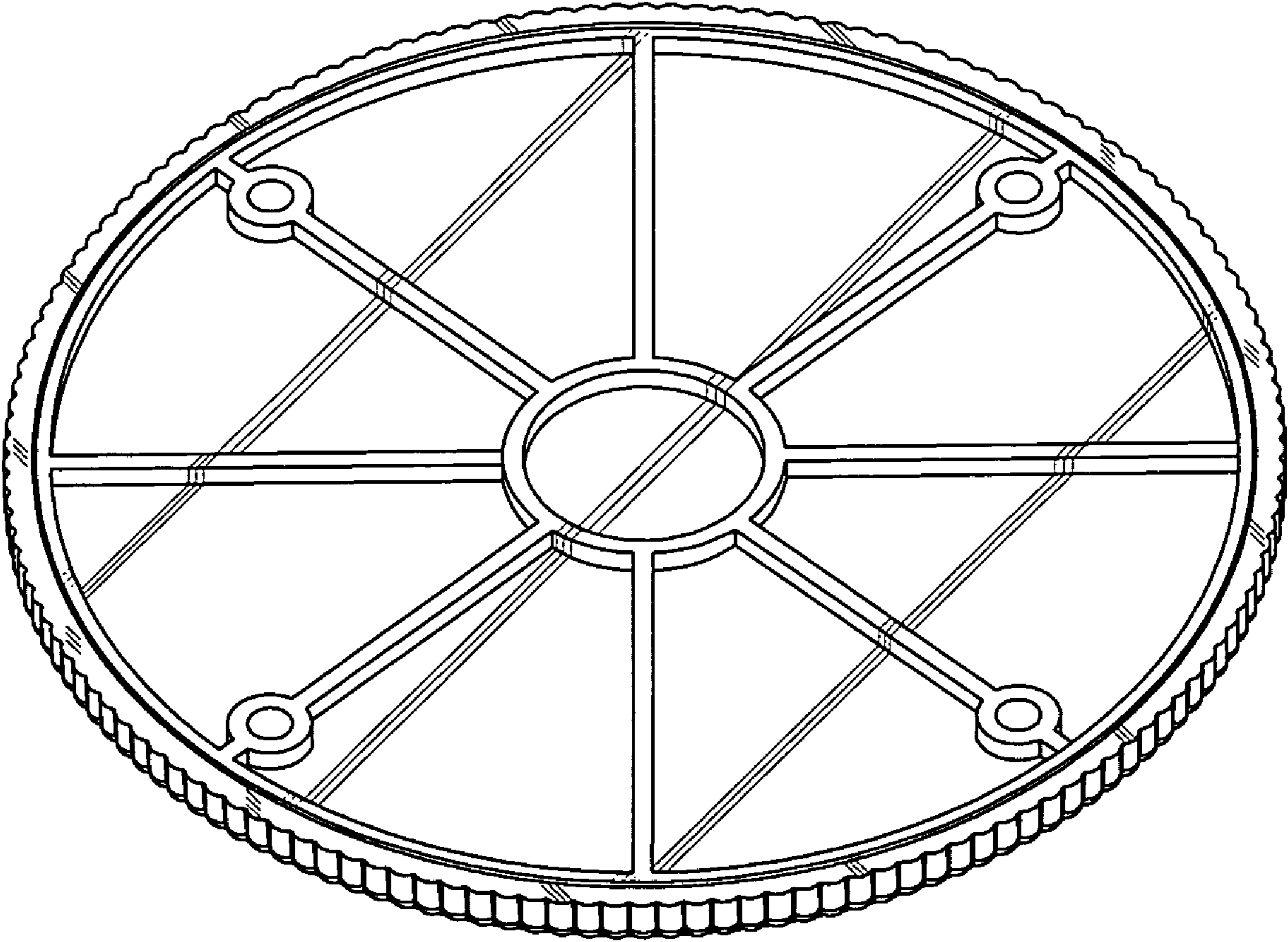


FIG. 6